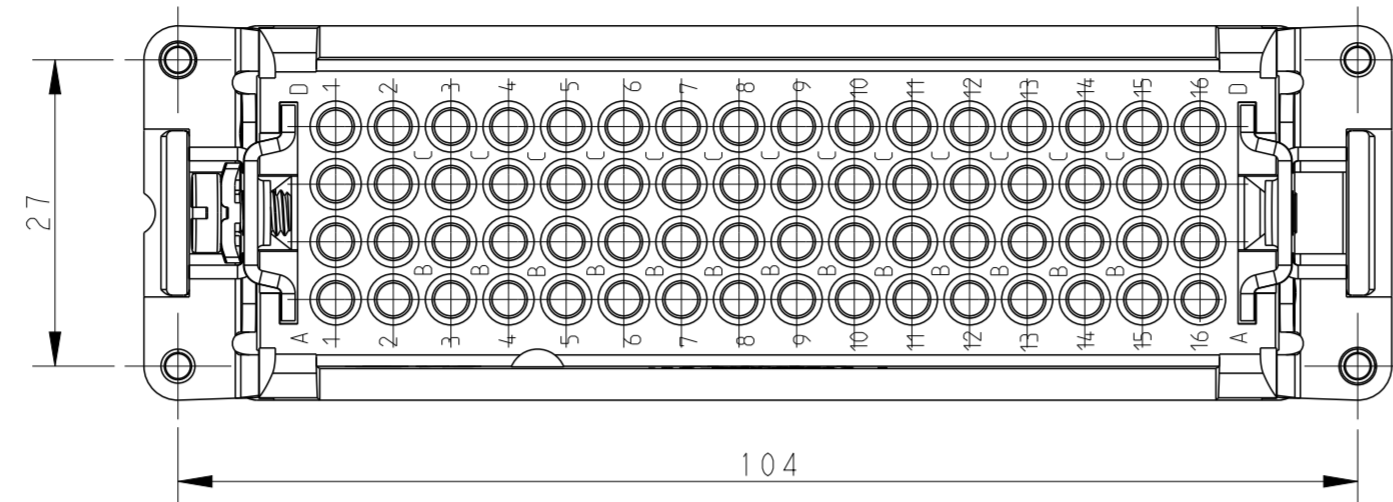


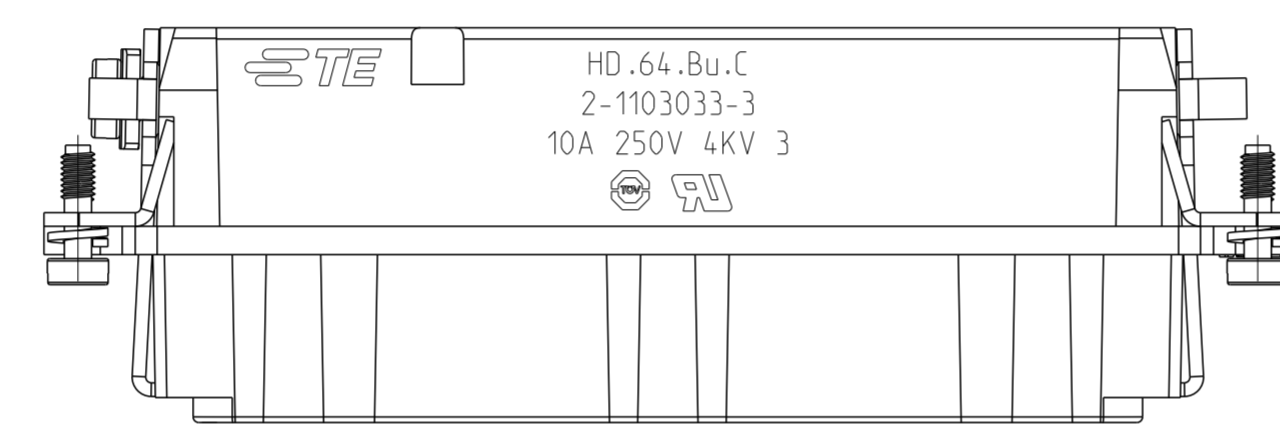
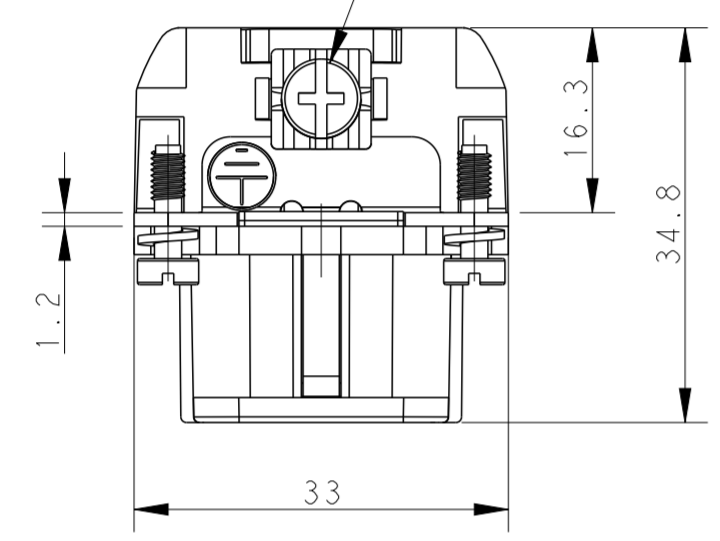
P	LTR	DESCRIPTION	DATE	DWN	APVD
C		ECR-20-005011	06APR2020	QY	JB



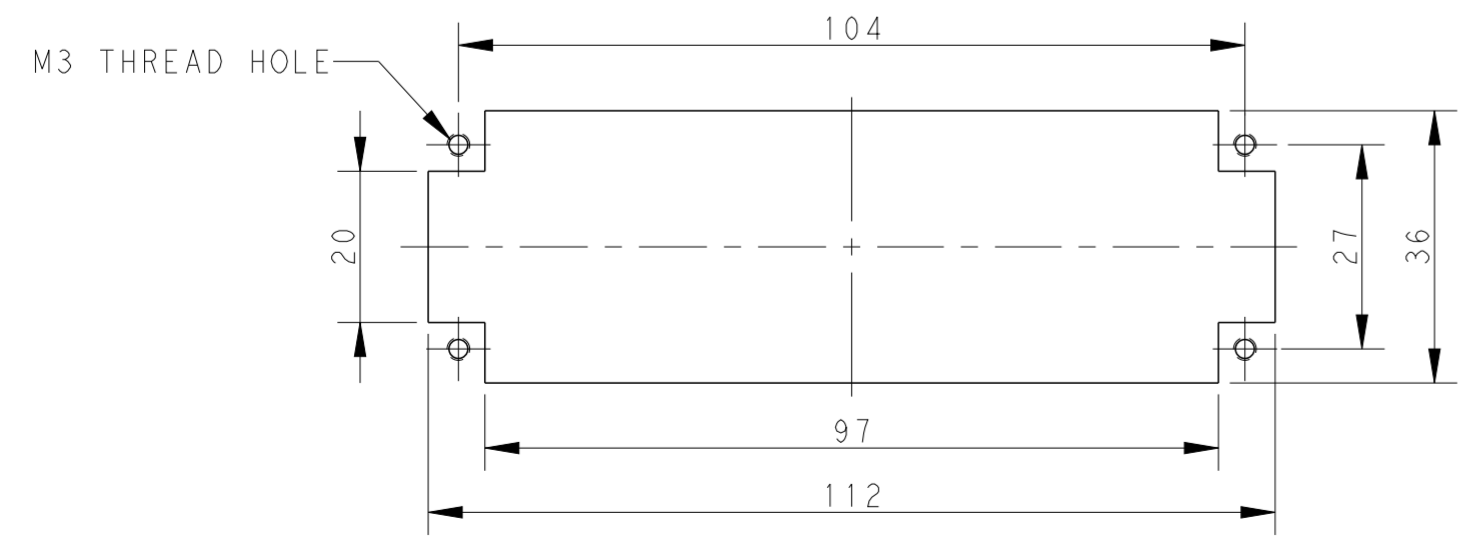
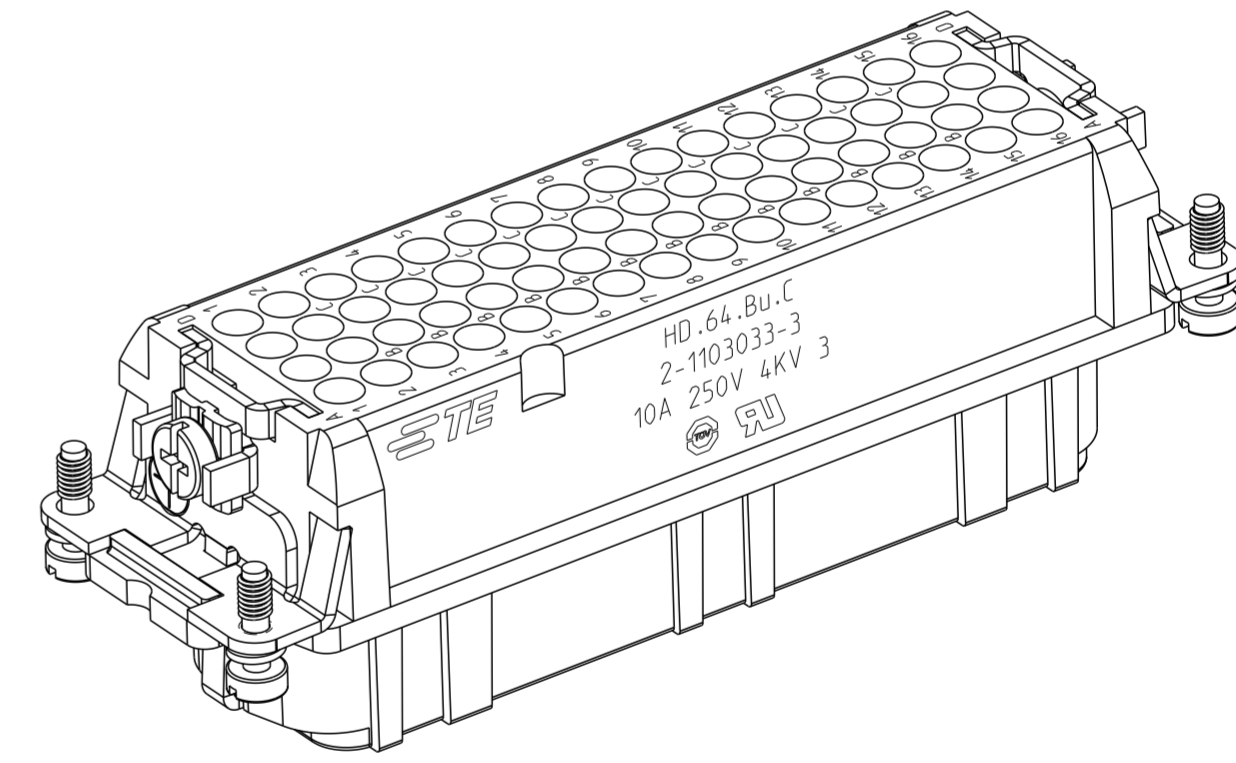
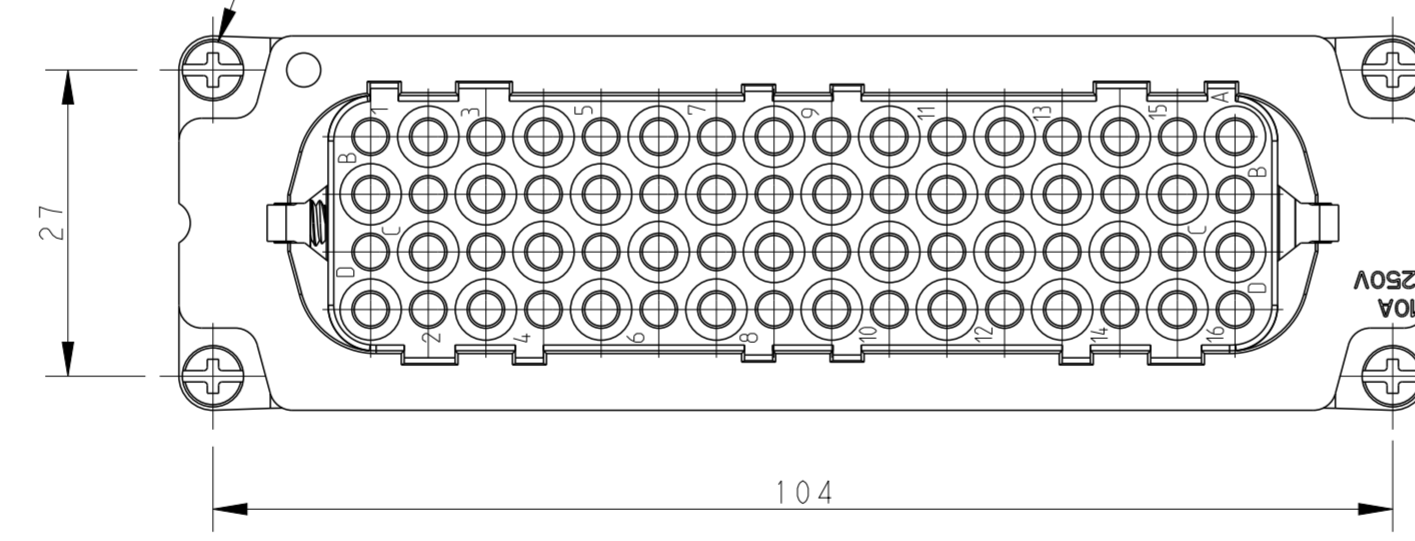
NOTES:  
 1. TECHNICAL CHARACTERISTICS:  
 INSULATION MATERIAL: PC  
 RATED VOLTAGE: 250V  
 RATED CURRENT: 10A  
 RATED IMPULSE VOLTAGE: 4KV  
 POLLUTION DEGREE: 3  
 WIRE RANGE: 0.14mm<sup>2</sup>~2.5mm<sup>2</sup> (AWG26-AWG14)  
 2. CONTACT NEED TO BE ORDERED SEPARATELY.

注释:  
 1. 技术参数:  
 绝缘材料: PC  
 额定电压: 250V  
 额定电流: 10A  
 脉冲电压: 4KV  
 污染等级: 3  
 接线范围: 0.14mm<sup>2</sup>~2.5mm<sup>2</sup> (AWG26-AWG14)  
 2. 端子需要单独订购.

M4 SCREW RECOMMENDED  
 TIGHTENING TORQUE 1.2Nm  
 M4螺丝, 推荐锁紧力矩1.2Nm



4X M3 SCREW  
 RECOMMENDED TIGHTENING TORQUE 0.5Nm  
 4X M3 螺丝, 推荐锁紧力矩0.5Nm



PANEL CUT FOR INSERTS FOR USE  
 WITHOUT HOODS/ HOUSINGS  
 不使用防护外壳时芯件的安装开孔图

2-1103033-3	HD.64.Bu.C	HD-064 FEMALE INSERT FOR STAMPED CONTACT TYPE HD-064 母插, 卷皮针型(HTS)
PART NUMBER 料号		PART DESCRIPTION 描述

THIS DRAWING IS A CONTROLLED DOCUMENT.		DWN QIANG YUAN 08 JAN 2020	TE Connectivity	
		CHK JAN BREDOW 08 JAN 2020		
DIMENSIONS: mm		APVD MARCIN KOMAR 08 JAN 2020	NAME HD.64.Bu.C	
TOLERANCES UNLESS OTHERWISE SPECIFIED: 0 PLC ± 1 PLC ± 2 PLC ± 3 PLC ± 4 PLC ± ANGLES ±		PRODUCT SPEC 108-74002	SIZE A200779	
MATERIAL -		APPLICATION SPEC 114-74000	DRAWING NO C-1103033	
		WEIGHT -	RESTRICTED TO -	
		CUSTOMER DRAWING	SCALE 3:2 SHEET 1 OF 1 REV C	