

| LOC | DIST | REVISIONS |     |                           |           |     |      |
|-----|------|-----------|-----|---------------------------|-----------|-----|------|
| GP  | 00   | P         | LTN | DESCRIPTION               | DATE      | DWN | APVD |
|     |      | D2        |     | REVISED PER ECO-14-008091 | 13MAY2014 | PP  | SH   |
|     |      | D3        |     | REVISED PER ECO-15-000306 | 08JAN2015 | PP  | SH   |
|     |      | D4        |     | REVISED PER ECO-15-013454 | 16SEP2015 | pp  | SH   |
|     |      | E         |     | REVISED PER ECO-19-005806 | 12JUN2019 | IT  | SH   |

1 MATERIAL:  
 CAGE - NICKEL SILVER ALLOY 0.25 THK.  
 EMI SPRINGS - COPPER ALLOY

2 FINISH:  
 2110304-5 CAGE - 1.27um MIN TIN OF SOLDER TAIL  
 EMI SPRINGS - 0.8um MIN MATTE TIN OVER 0.8um MIN NICKEL  
 NON-PLATED EDGES PERMISSIBLE.

3. MATES WITH SFP MSA COMPLIANT TRANSCEIVERS.

4 PADS AND VIAS CHASSIS GROUND.

5 DATUM AND BASIC DIMENSION ESTABLISHED BY CUSTOMER.

6. MINIMUM PC BOARD THICKNESS:  
 SINGLE SIDED = 1.50 mm.

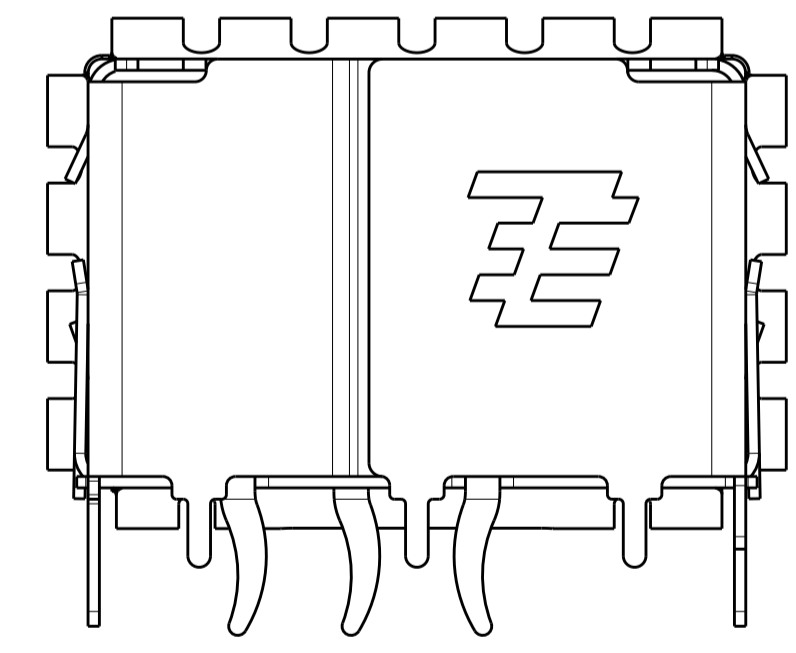
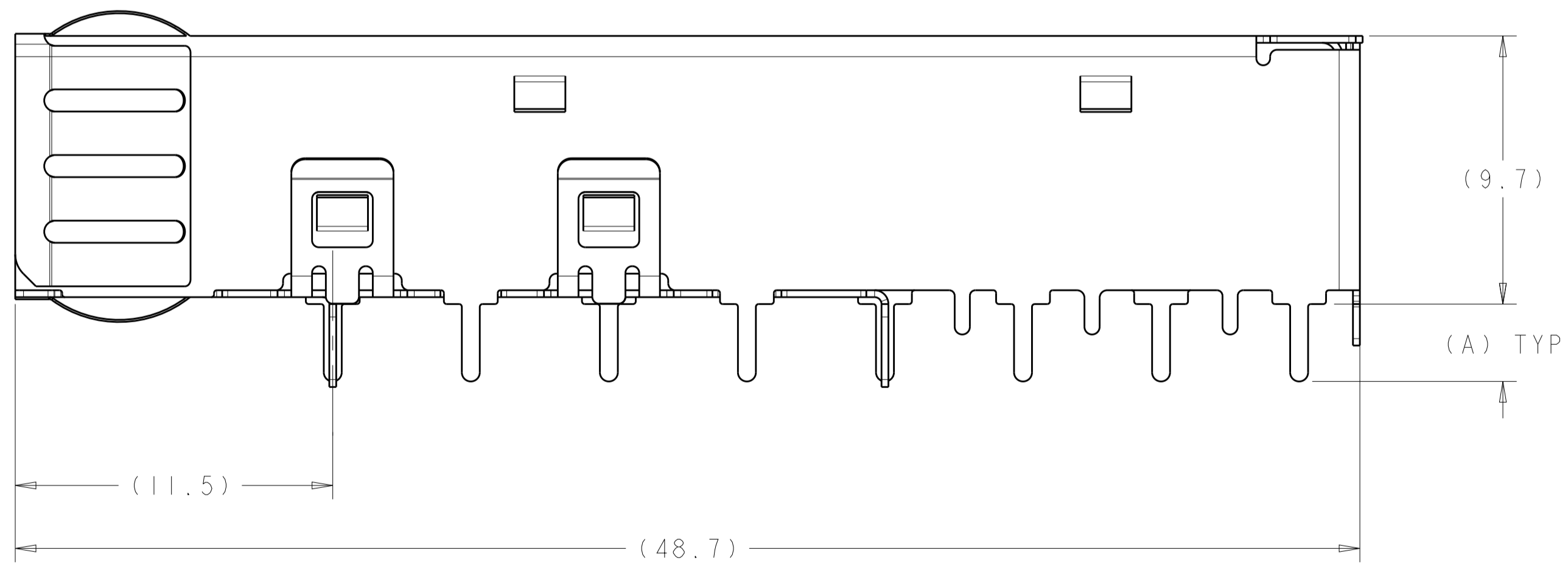
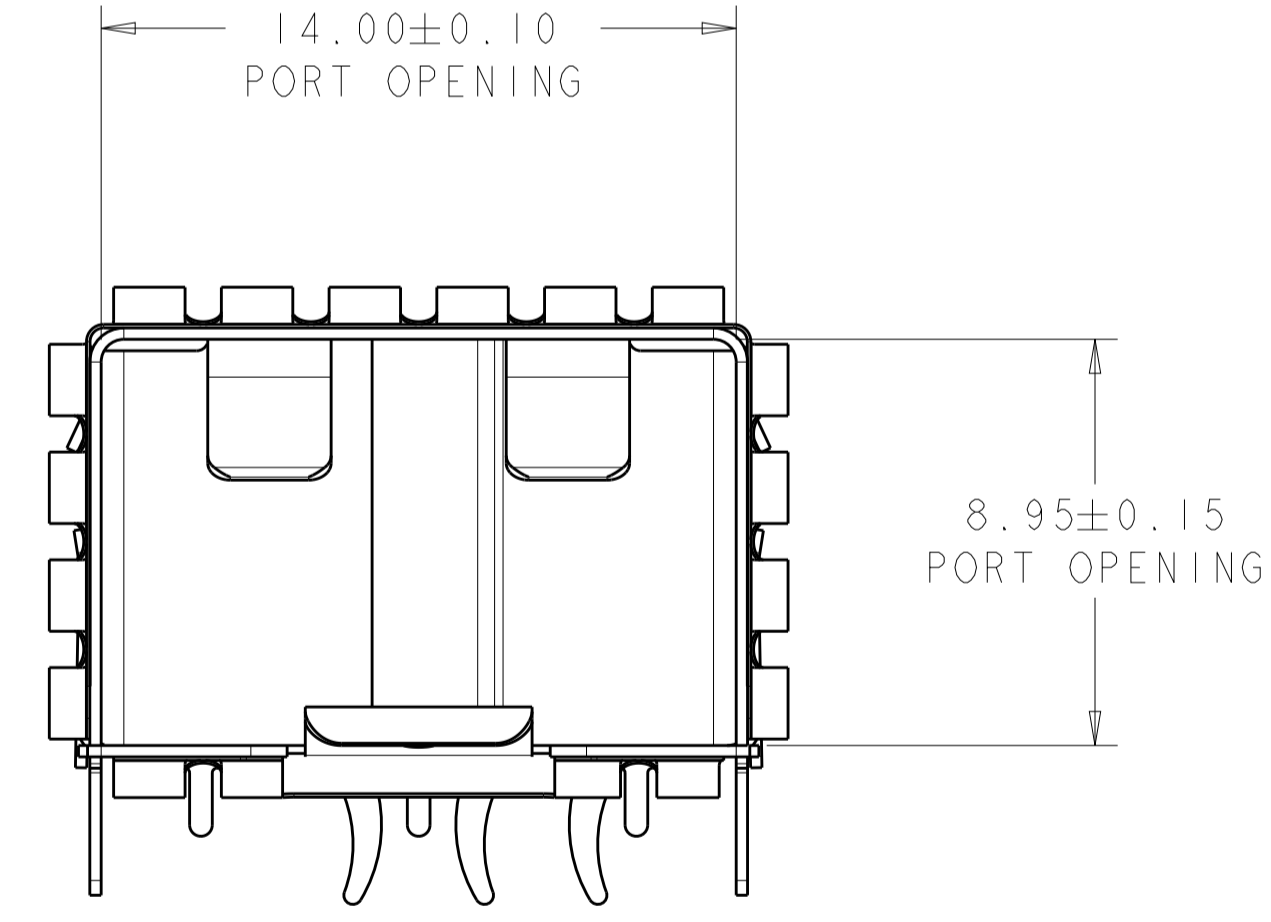
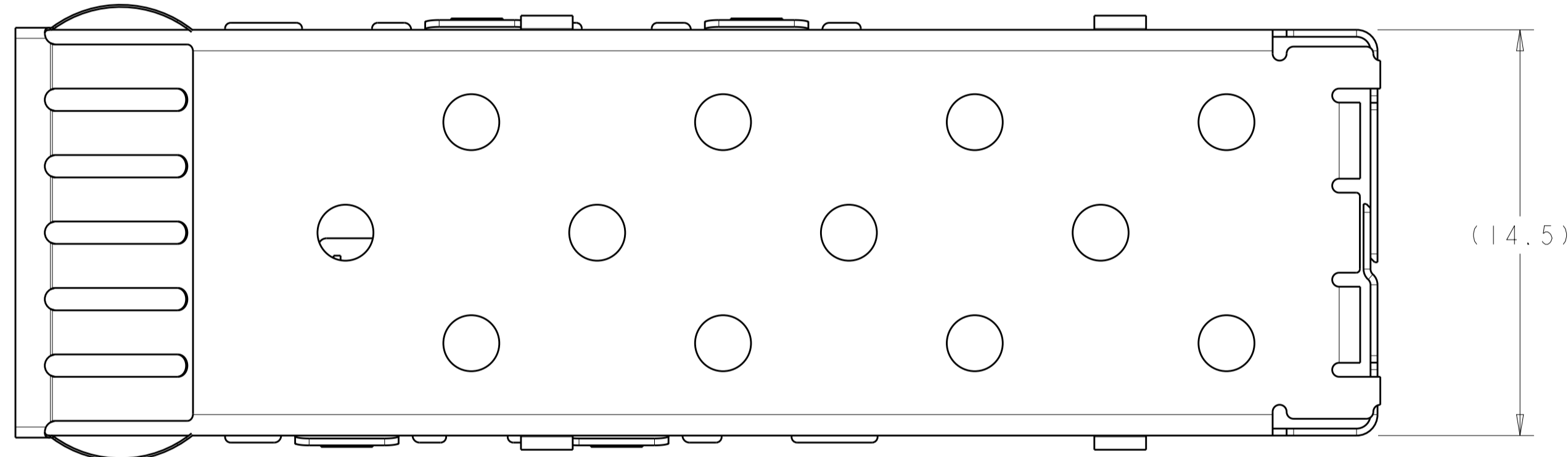
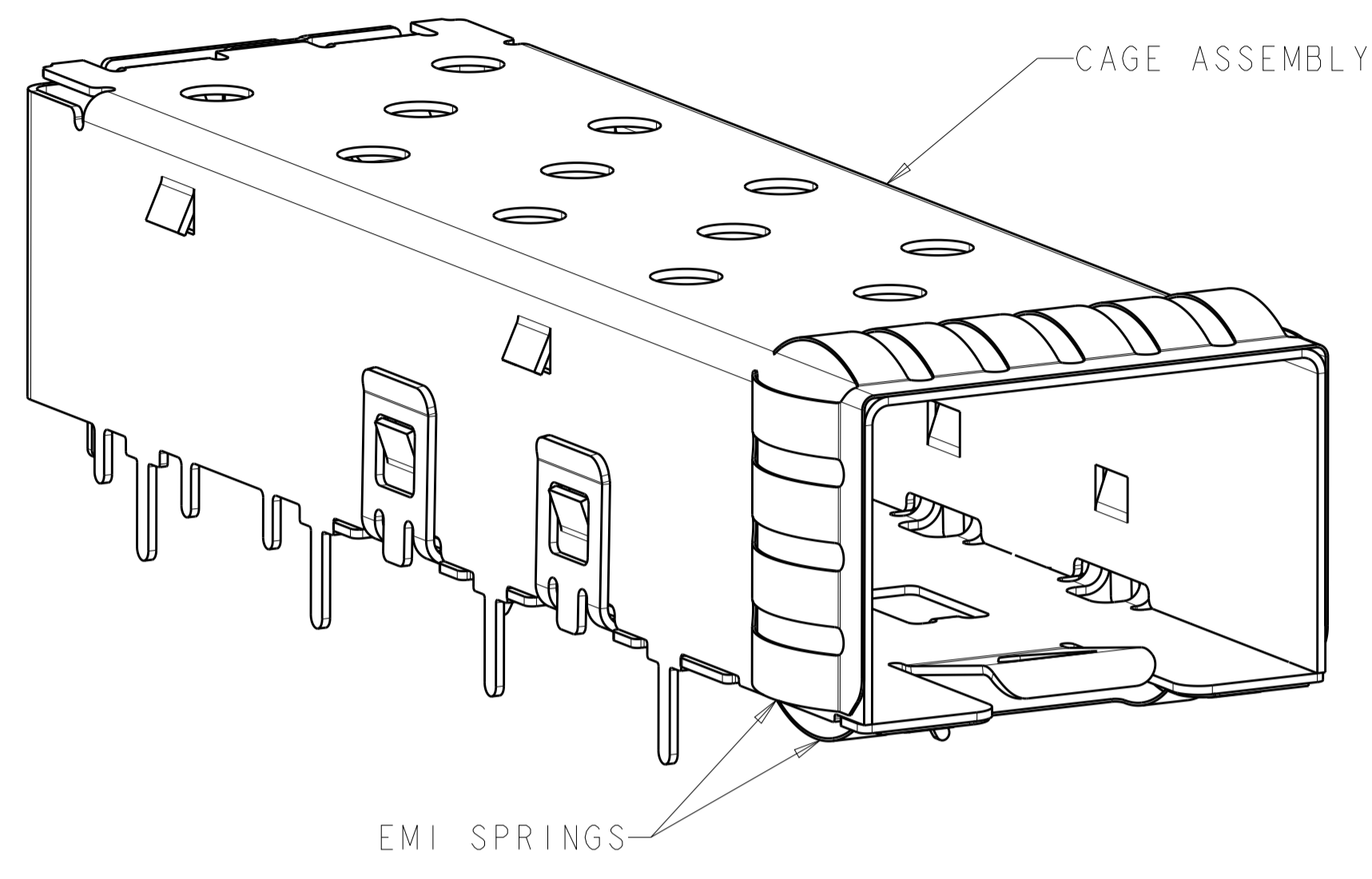
7. NOTE DELETED

8 PACKAGE TYPE IS TAPE AND REEL.

9 FOR ESD PROTECTION TAPE AND REEL PACKAGE ONLY.  
 MATERIALS(COVER TAPE,EMBOSS TAPE,REEL,INNER LABEL ON REEL) USED WITH AN EPA AREA  
 MUST PRIMARILY BE ELECTROSTATIC CONDUCTIVE OR ELECTROSTATIC DISSIPATIVE.  
 NO MATERIAL SHOULD BE CHARGED UP TO MORE THAN 100 VOLTS.

10 ALL SOLDER PIN SHOULD BE TIN DIPPED.

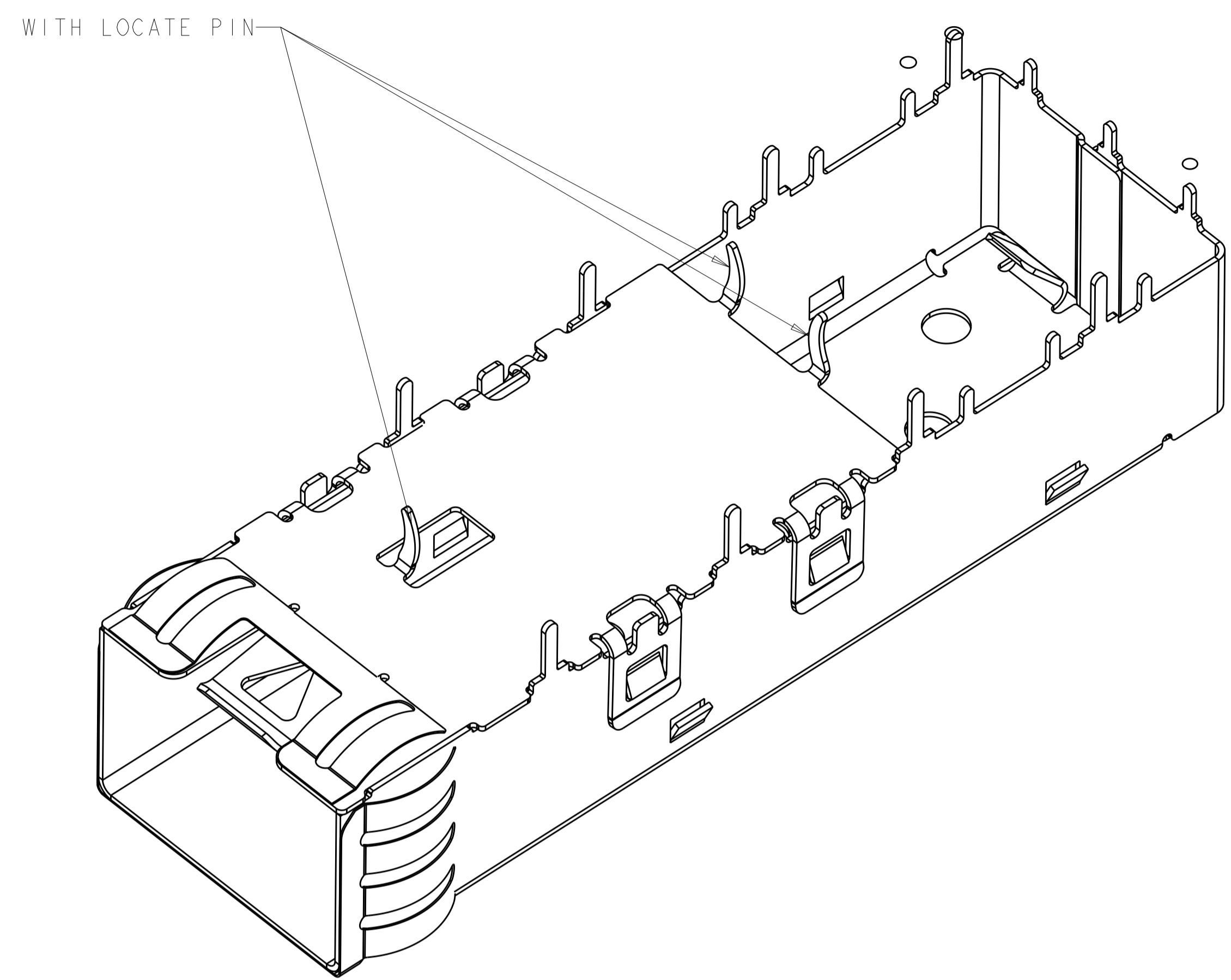
11 PACKAGE TYPE IS TAPE AND REEL WITH POCKET PITCH 24MM



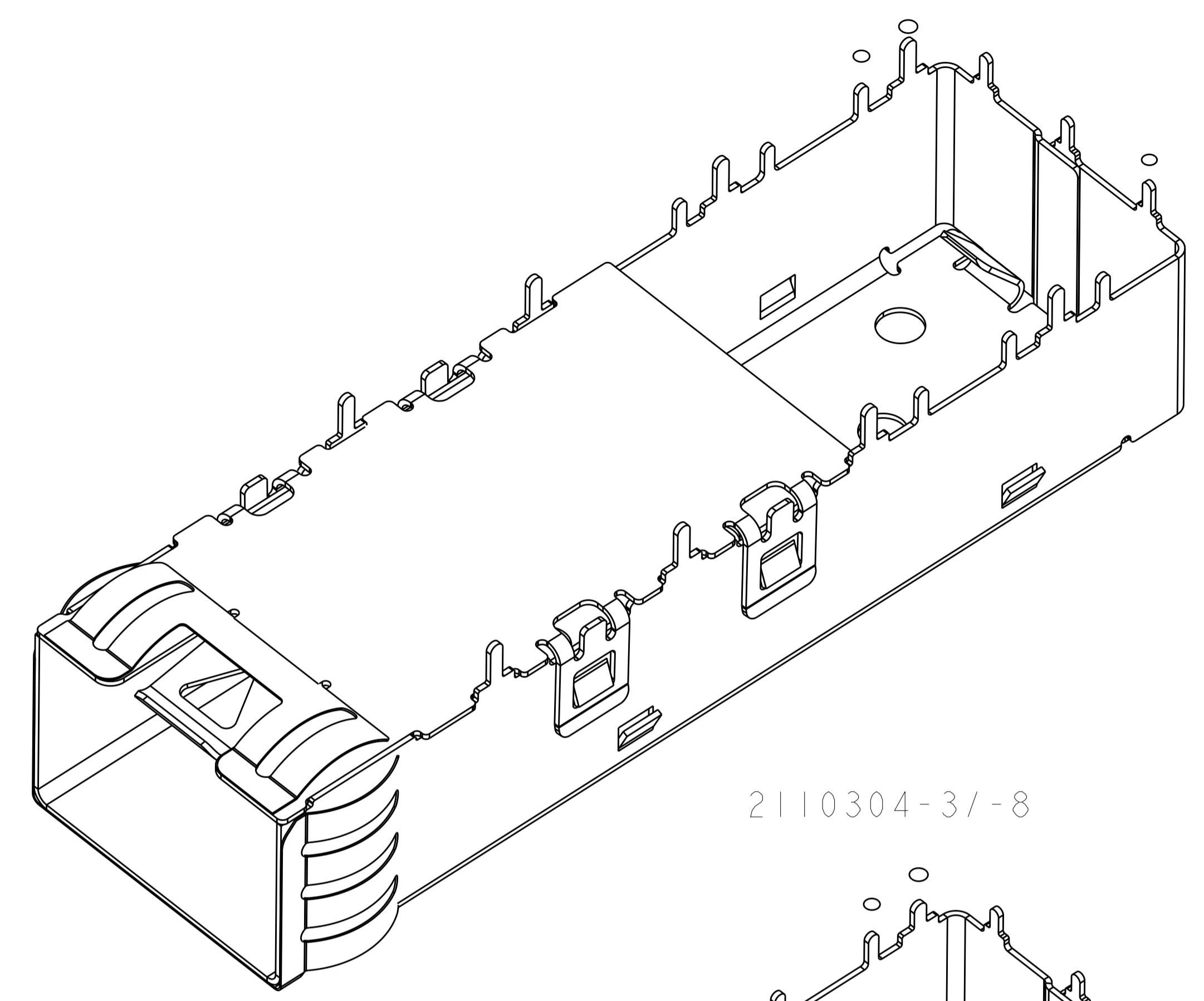
|          |       |             |
|----------|-------|-------------|
| 8        | 2.00  | 2110304-8   |
| OBSOLETE | 1.20  | 2110304-7   |
| OBSOLETE | 2.80  | 2110304-6   |
| 8        | 2.80  | 2110304-5   |
|          | 2.00  | 2110304-3   |
|          | 2.80  | 2110304-1   |
|          | DIM A | PART NUMBER |

|  |              |   |   |  |
|--|--------------|---|---|--|
| THIS DRAWING IS A CONTROLLED DOCUMENT. |              | DWN<br>C. ROHLER<br>13FEB2009                 | TE Connectivity   |  |
| DIMENSIONS:                            |              | CHK<br>M. SCHMITT<br>13FEB2009                | NAME<br>SFP+ IXI CAGE ASSEMBLY,<br>SOLDER TAIL, EMI SPRINGS |  |
| TOLERANCES UNLESS OTHERWISE SPECIFIED: |              | APVD<br>B. WERTZ<br>13FEB2009                 | PRODUCT SPEC  |  |
| mm                                     | 0 PLC ±0.1   | APPLICATION SPEC                              |   |  |
|  | 1 PLC ±0.5   | 114-13120                                     |   |  |
|  | 2 PLC ±0.5   | WEIGHT  |   |  |
|  | 3 PLC ±0.13  | Customer Drawing                              |   |  |
|  | 4 PLC ±0.13  | SCALE 6:1 SHEET 1 OF 4 REV E                  |   |  |
|  | ANGLES ±0.13 | SIZE CAGE CODE DRAWING NO<br>A100779C=2110304 |   |  |
| MATERIAL                               | FINISH       | RESTRICTED TO                                 |   |  |

| LOC |    | DIST |     | REVISIONS   |      |     |      |
|-----|----|------|-----|-------------|------|-----|------|
| GP  | 00 | P    | LYR | DESCRIPTION | DATE | DMN | APVD |
| -   | -  | -    | -   | SEE SHEET 1 | -    | -   | -    |

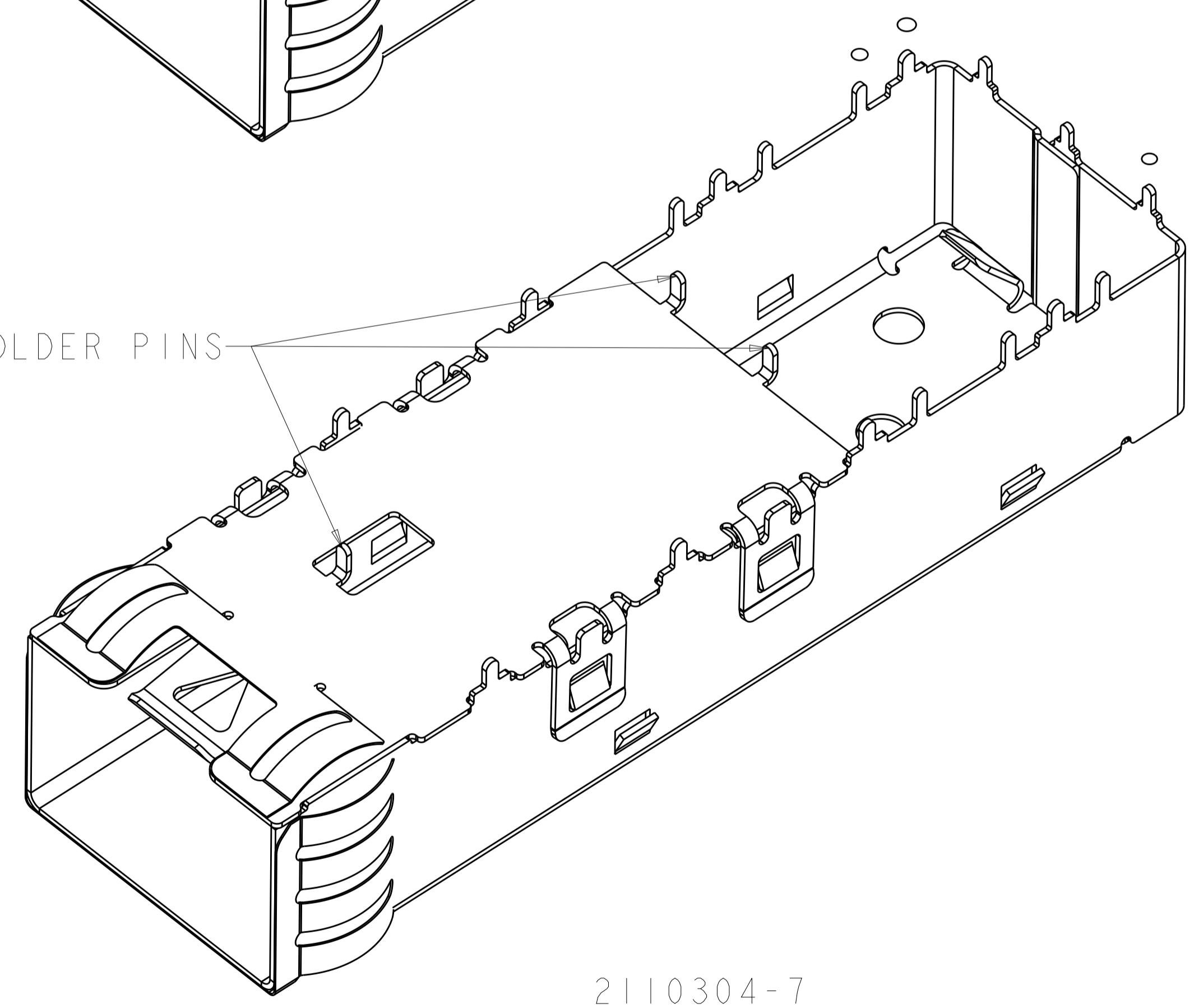


2110304-1/-5/-6

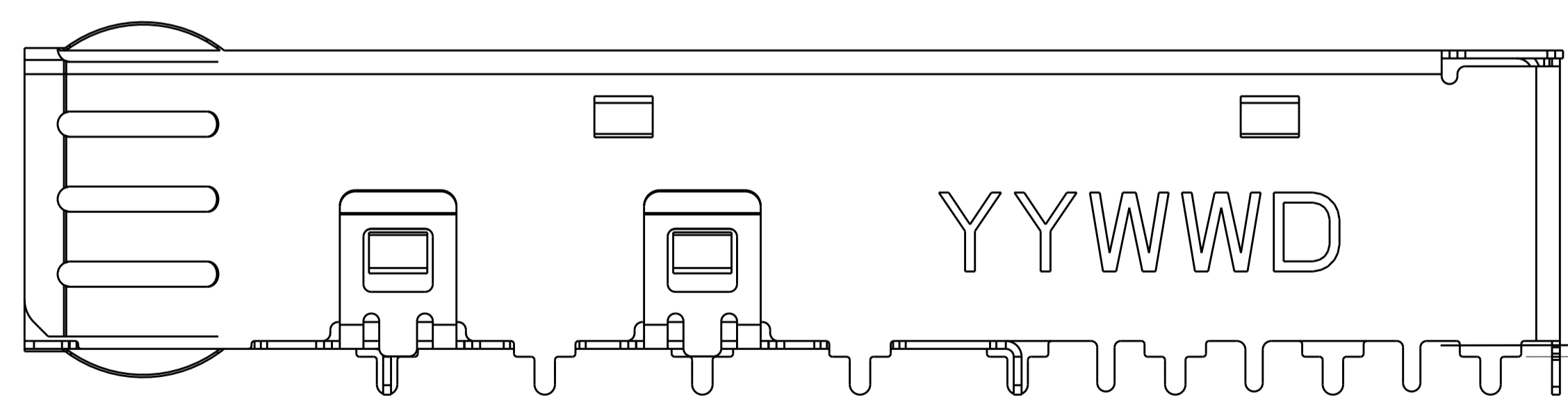


2110304-3/-8

WITH SOLDER PINS




2110304-7



0.3MAX  
 TIN DIPPED ON  
 STAND OFF

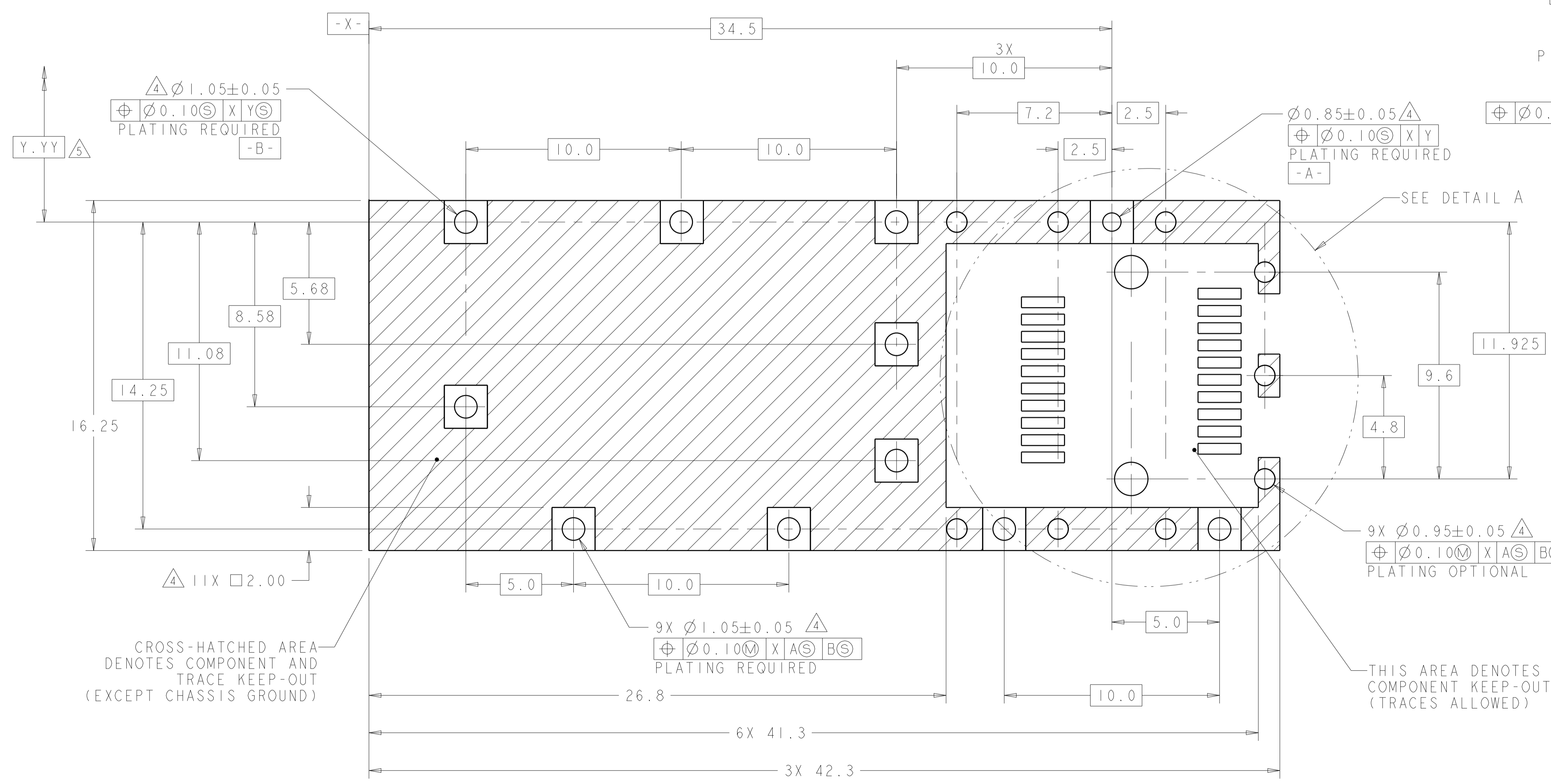
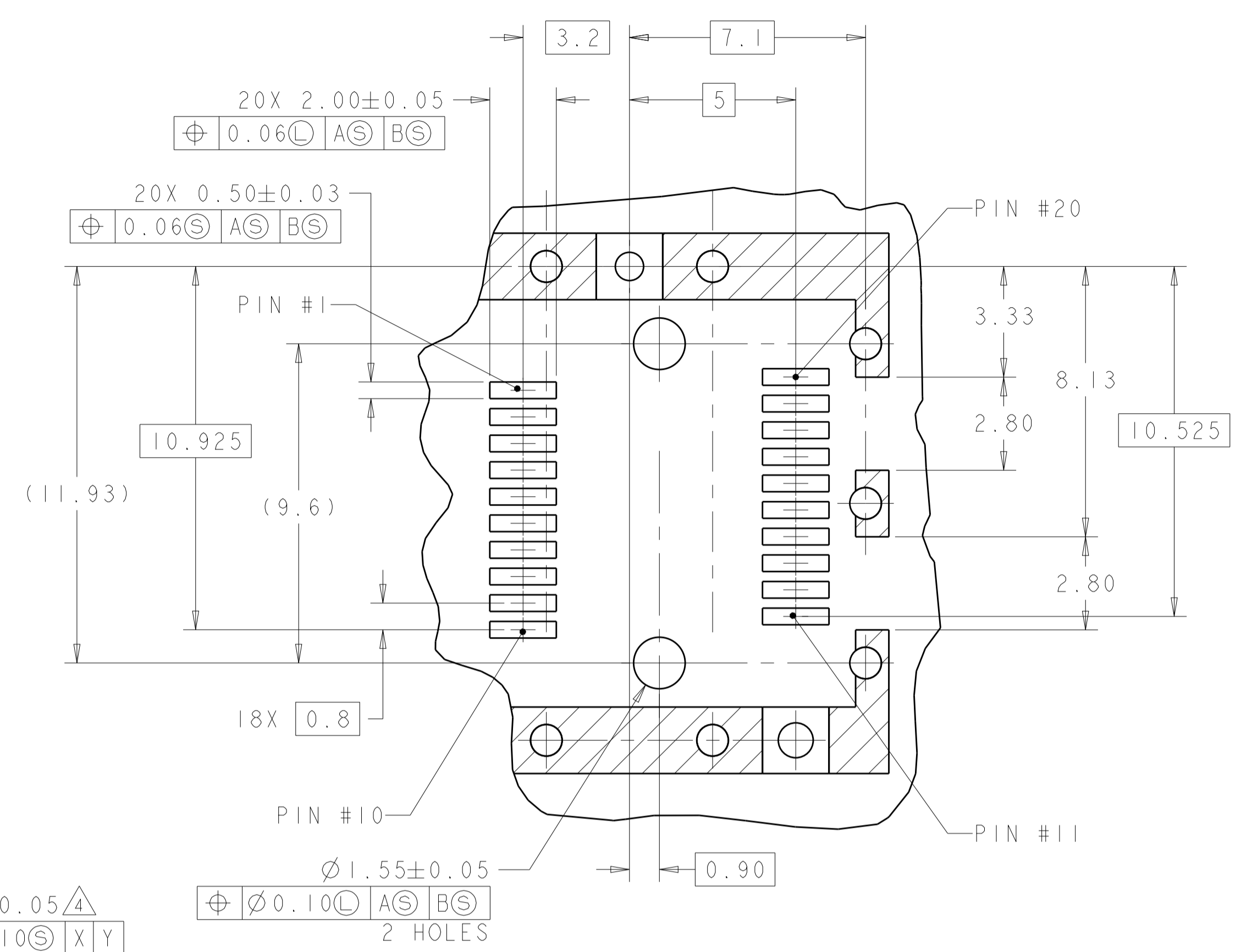
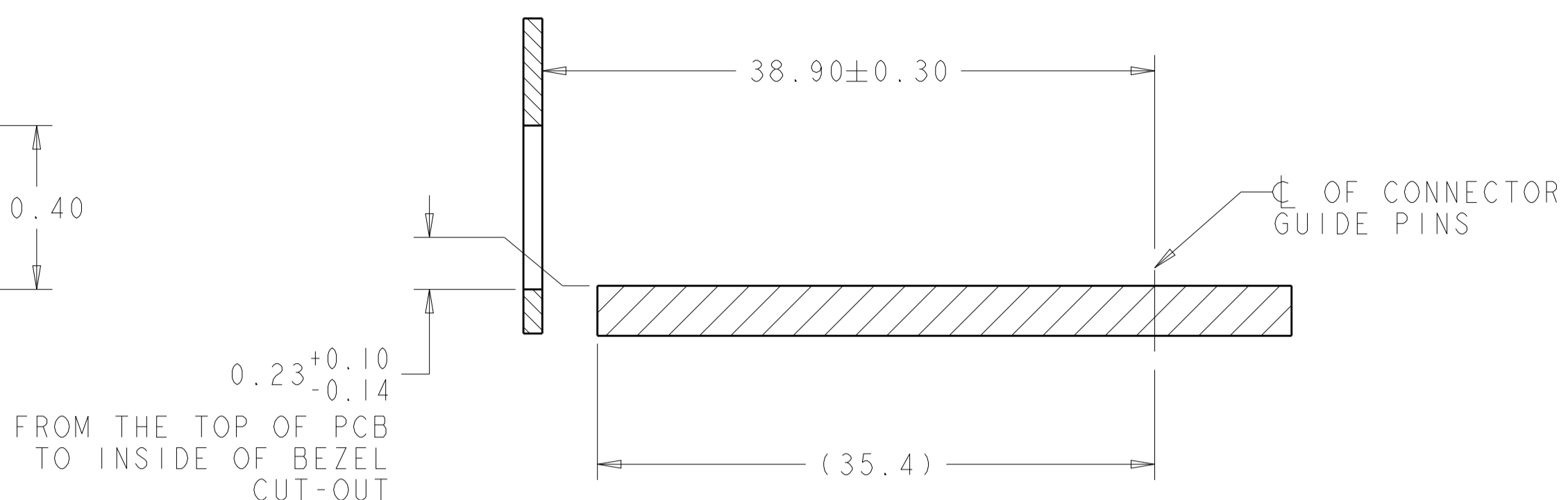
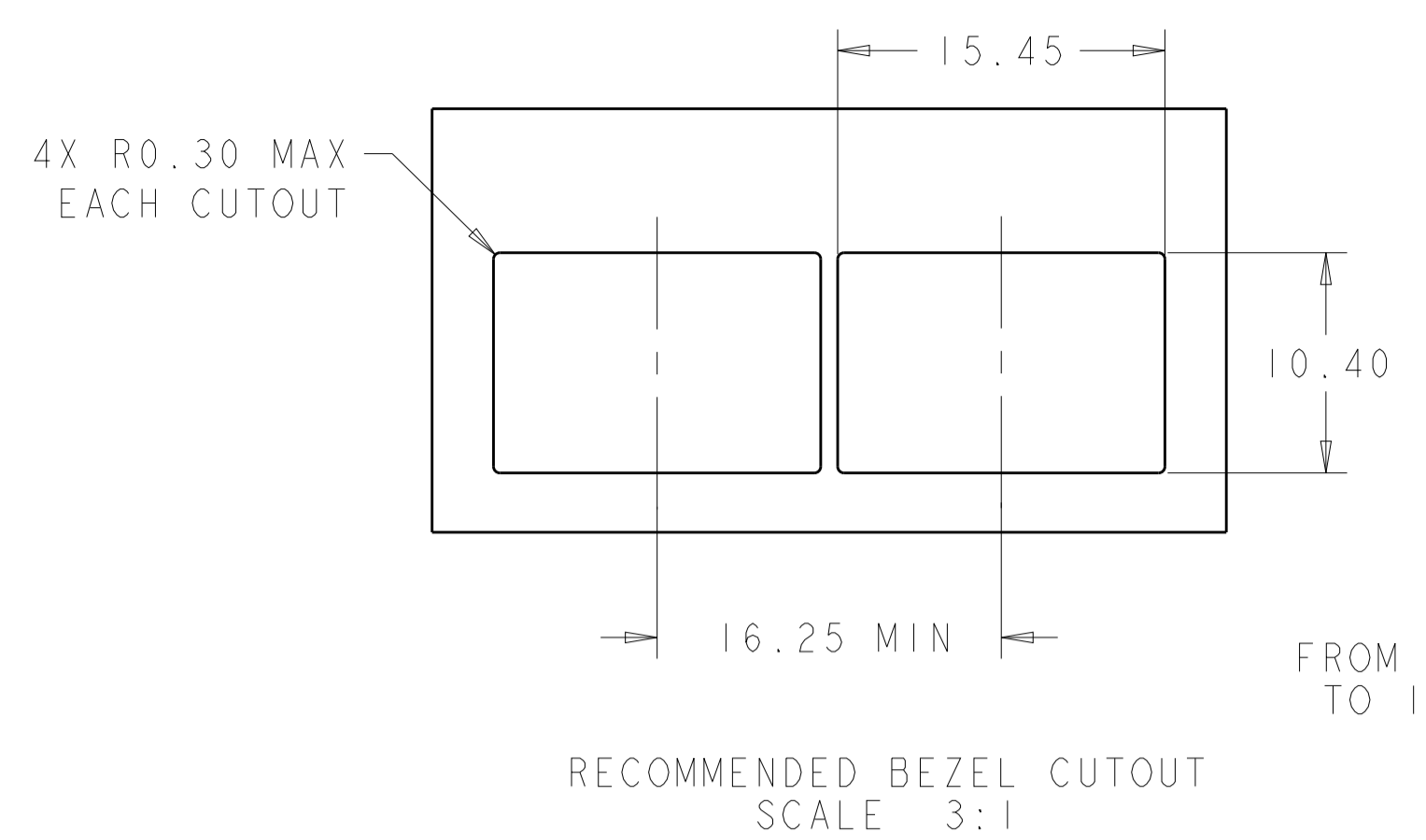
2110304-7  
 DISTANCE FOR TIN DIPPED ON STAND OFF

|  |  |                   |           |   |
|--|--|-------------------|-----------|---|
| THIS DRAWING IS A CONTROLLED DOCUMENT. |  | DMN<br>C. ROHLER  | 13FEB2009 |  TE Connectivity |
| DIMENSIONS:                            |  | CHK<br>M. SCHMITT | 13FEB2009 |   |
| mm                                     | TOLERANCES UNLESS OTHERWISE SPECIFIED: | APVD<br>B. WERTZ  | 13FEB2009 | NAME<br>SFP+ IXI CAGE ASSEMBLY,<br>SOLDER TAIL, EMI SPRINGS   |
| 0 PLC                                  | ±0.1                                   | PRODUCT SPEC      |           | APPLICATION SPEC  |
| 1 PLC                                  | ±0.5                                   | 114-13120         |           | SIZE<br>A100779C=2110304  |
| 2 PLC                                  | ±0.5                                   | WEIGHT            |           | RESTRICTED TO   |
| 3 PLC                                  | ±0.13                                  | Customer Drawing  |           | SCALE 6:1 SHEET 2 OF 4 REV E  |
| 4 PLC                                  | ±0.13                                  |                   |           |   |
| ANGLES                                 | ±0.13                                  |                   |           |   |
| MATERIAL                               | FINISH                                 |                   |           |   |

| LOC | DIST | REV | DATE | APPV |
|-----|------|-----|------|------|
| GP  | 00   |     |      |      |

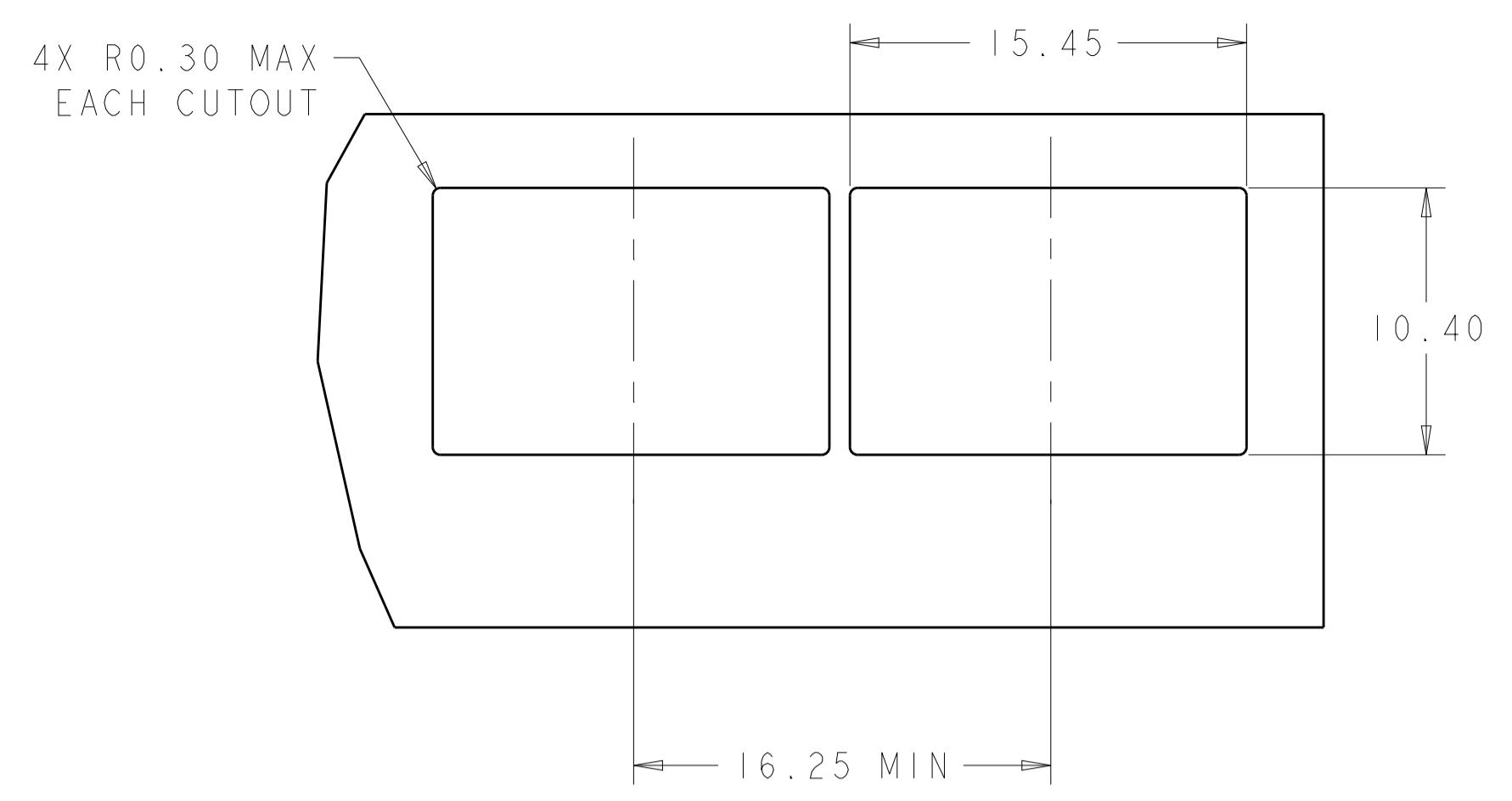
| REVISIONS |             |      |    |      |
|-----------|-------------|------|----|------|
| NO.       | DESCRIPTION | DATE | BY | APPV |
| -         | SEE SHEET 1 | -    | -  | -    |



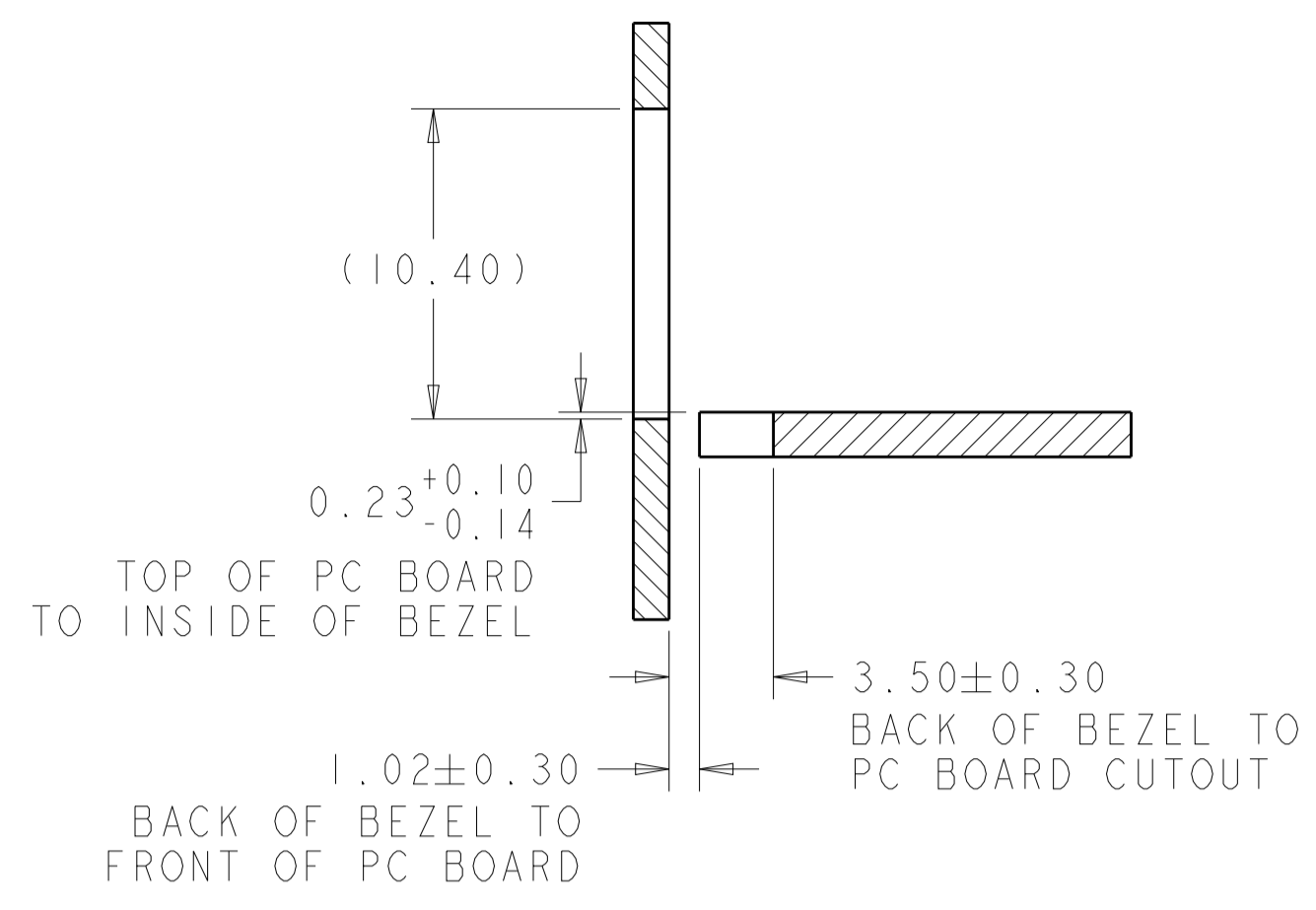
2110304-1/-5/-6/-7  
 RECOMMENDED PCB LAYOUT  
 SCALE 8:1

|  |  |                                |  |
|--|--|--------------------------------|--|
| THIS DRAWING IS A CONTROLLED DOCUMENT.   |  | OWN<br>C. ROHLER<br>13FEB2009  | TE Connectivity<br>NAME<br>SFP+ IXI CAGE ASSEMBLY,<br>SOLDER TAIL, EMI SPRINGS |
| DIMENSIONS:  |  | CHK<br>M. SCHMITT<br>13FEB2009 |  |
| mm   | TOLERANCES UNLESS OTHERWISE SPECIFIED: | APPV<br>B. WERTZ<br>13FEB2009  | PRODUCT SPEC   |
| 0 PLC ±0.1<br>1 PLC ±0.5<br>2 PLC ±0.5<br>3 PLC ±0.13<br>4 PLC ±0.13<br>ANGLES ±0.13 | FINISH                                 | APPLICATION SPEC               | RESTRICTED TO  |
| MATERIAL   |  | WEIGHT                         | SIZE CAGE CODE DRAWING NO  |
|  |  |                                | A100779C=2110304   |
|  |  | Customer Drawing               | SCALE 6:1 SHEET 3 OF 4 REV E   |

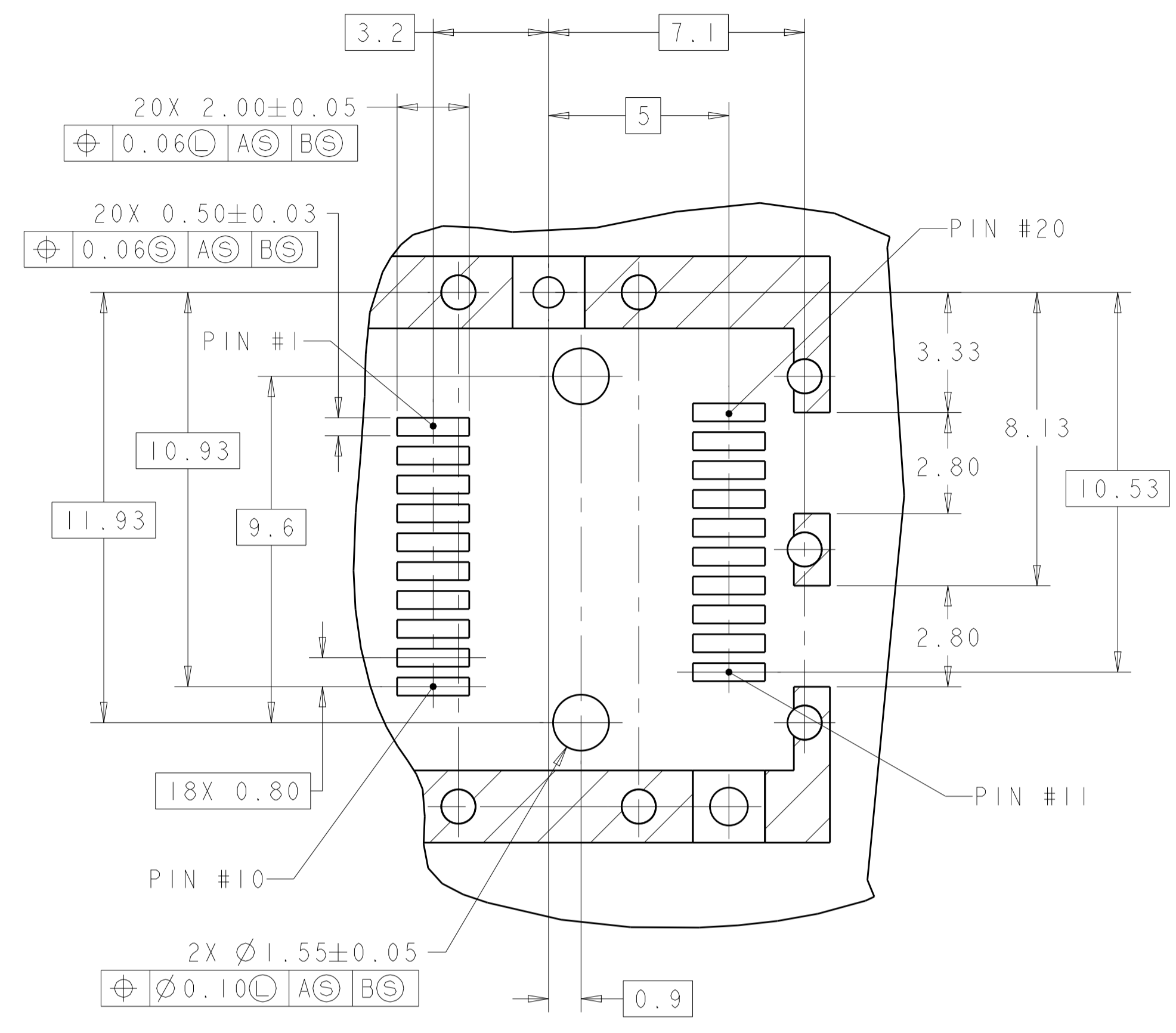
| LOC | DIST | REV | DATE | APP'D |
|-----|------|-----|------|-------|
| GP  | 00   |     |      |       |



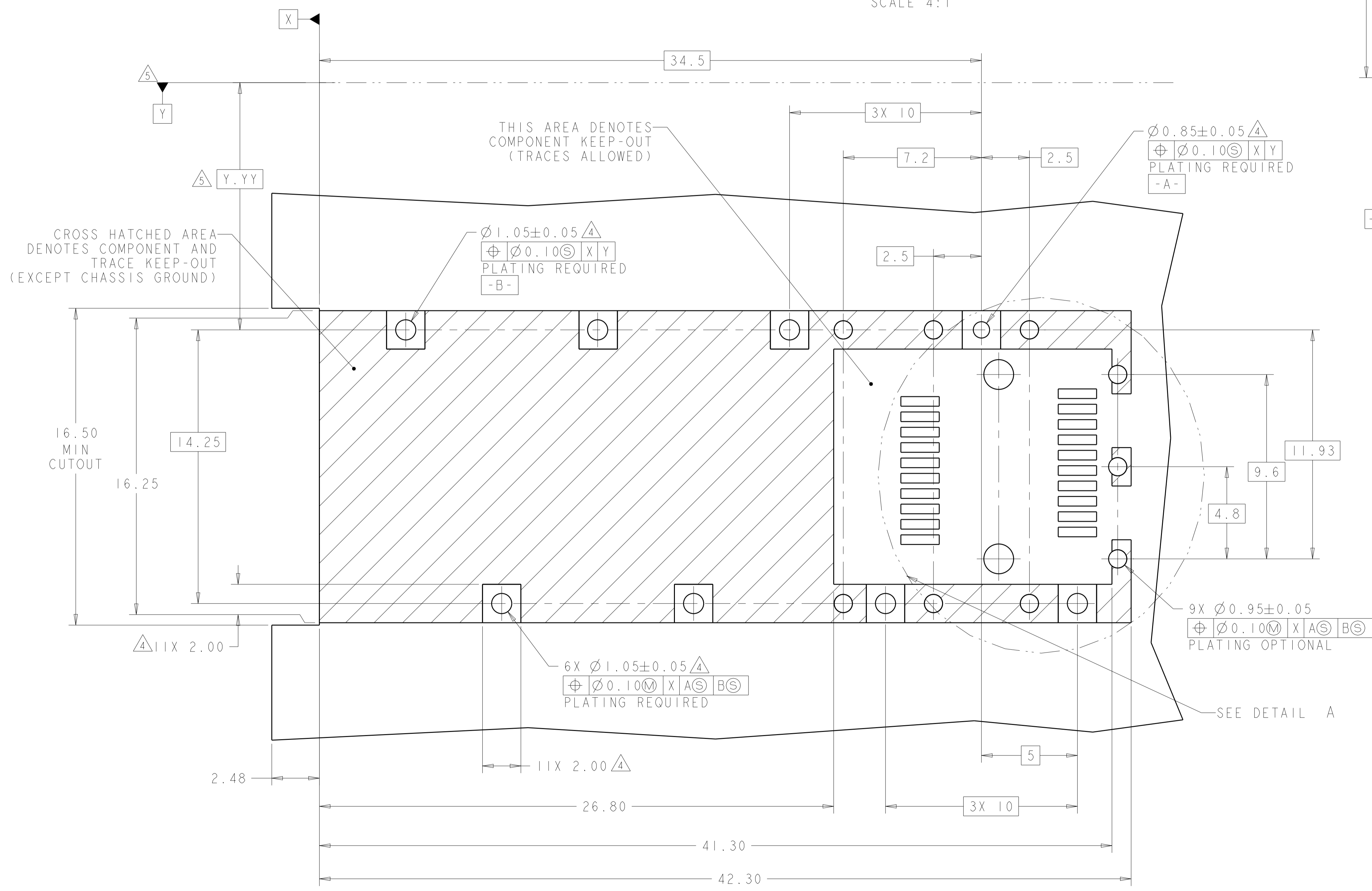
RECOMMENDED BEZEL CUTOUT  
SCALE 4:1



RECOMMENDED BEZEL AND  
PC BOARD ORIENTATION  
SCALE 4:1



DETAIL A  
SCALE 8:1



2110304-3/-8  
RECOMMENDED PCB LAYOUT  
SCALE 8:1

|  |  |                           |  |
|--|--|---------------------------|--|
| THIS DRAWING IS A CONTROLLED DOCUMENT.   |  | OWN: C. ROHLER 13FEB2009  | TE Connectivity  |
| DIMENSIONS: mm   |  | CHK: M. SCHMITT 13FEB2009 |  |
| TOLERANCES UNLESS OTHERWISE SPECIFIED:   |  | APP'D: B. WERTZ 13FEB2009 | NAME: SFP+ IXI CAGE ASSEMBLY, SOLDER TAIL, EMI SPRINGS |
| 0 PLC ±0.1<br>1 PLC ±0.5<br>2 PLC ±0.5<br>3 PLC ±0.13<br>4 PLC ±0.13<br>ANGLES ±0.13 |  | PRODUCT SPEC              | SIZE: CAGE CODE DRAWING NO                             |
| MATERIAL: FINISH:  |  | APPLICATION SPEC          | RESTRICTED TO  |
|  |  | 114-13120                 | A100779C=2110304                                       |
|  |  | WEIGHT                    | SCALE 1:1 SHEET 4 OF 4 REV E                           |
|  |  | Customer Drawing          |  |