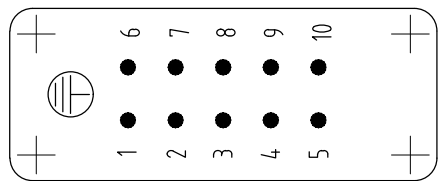
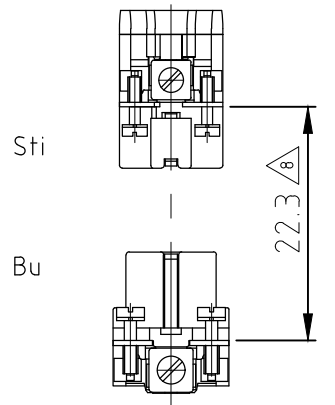


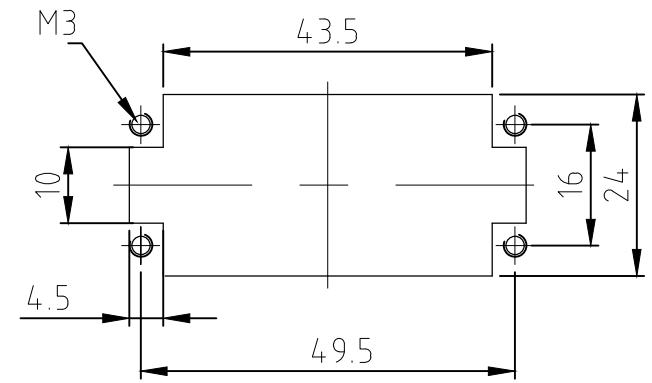
Contact arrangement / view from termination side



Assembling instruction
 DISTANCE FOR SAFETY CONTACT MARKING MAX. 24 mm



Panel cut-out for contact insert when used without housing



- NOTES
- 1 SUITABLE CRIMP CONTACTS: SERIES HE/HA
OUTER DIMENSIONS OF INSULATION: MAX. Ø3,2 MM
 - 2 SUITABLE HOOD SIZE 2: SERIES HA; HD
SUITABLE INSERTION AND EXTRACTION TOOL:
SCREWDRIVER 0,5x3 DIN 5264
 - 3 Strip lenght: Screw conection 10mm
Spring clamp conection 10mm Crimp conection 7.5mm
 - 4 STANDARDS:
DIN EN 61984; DIN EN 60664-1
 - 5 PACKAGING
10 SETS IN A CARTON, PRE-MOUNTED
 - 6 SPECIAL PACKAGING
200 PIECES IN A KANN-BAN BOT
 - 7 SPECIAL PACKAGING
100 PIECES IN A KANN-BAN BOT

ITEM NO. POS.	DESCRIPTION / BENENNUNG	MATERIAL	Surface	COLOR / FARBE	ITEM NO. POS.	NOTES
8	fixing screw	stainl. steel	blank/even		8	M3x10
7	fixing screw	Stahl/steel	nickel plated	blue	7	M3x10
6	socket insert screw	PBT		light beige	6	with AU contact
5	cover spring strain clip	PBT		light beige	5	
4	cover crimp	PBT		light beige	4	
3	cover screw	PBT		light beige	3	
2	socket insert spring strain clip	PBT		light beige	2	
1	socket insert crimp&screw	PBT		light beige	1	

ORDERING TEXT / BESTELL TEXT	THIS DRAWING IS A CONTROLLED DOCUMENT. DIESE ZEICHNUNG IST EIN KONTROLLIERTES DOKUMENT.		DWN 08.02.2000 Schneider	TE Connectivity Socket insert Buchseneinsatz HA.10.Bu	RESTRICTED TO NUR FUER
	DIMENSIONS: MASSE/NEHTEN: mm		CHK 08.02.2000 Schweiger		
	TOLERANCES UNLESS OTHERWISE SPECIFIED: ALLGEMEINTOLERANZEN		APVD - NAME	PRODUCT SPEC PRODUKTSPEZ. 108-74007 APPLICATION SPEC VERARBEITUNGSSPEZ. 114-74009	SIZE CAGE CODE DRAWING NO ZEICHNUNGS-NR. A3 00779 G-1103415
	MATERIAL		FINISH/OBERFLAECHE/FARBE		
CUSTOMER DRAWING/KUNDENZEICHNUNG			SCALE MASSSTAB 1:1 SHEET BLATT 1 OF VON 1 REV D4		