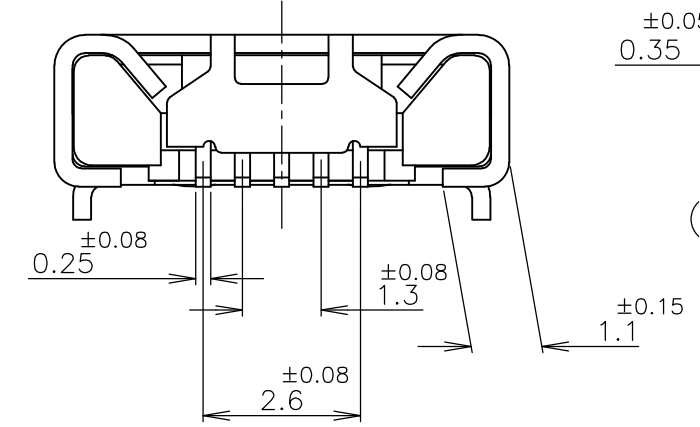
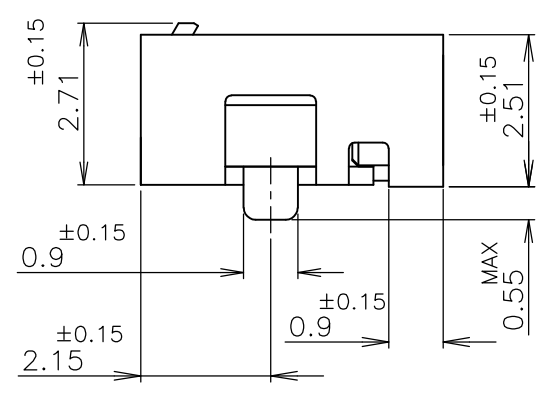
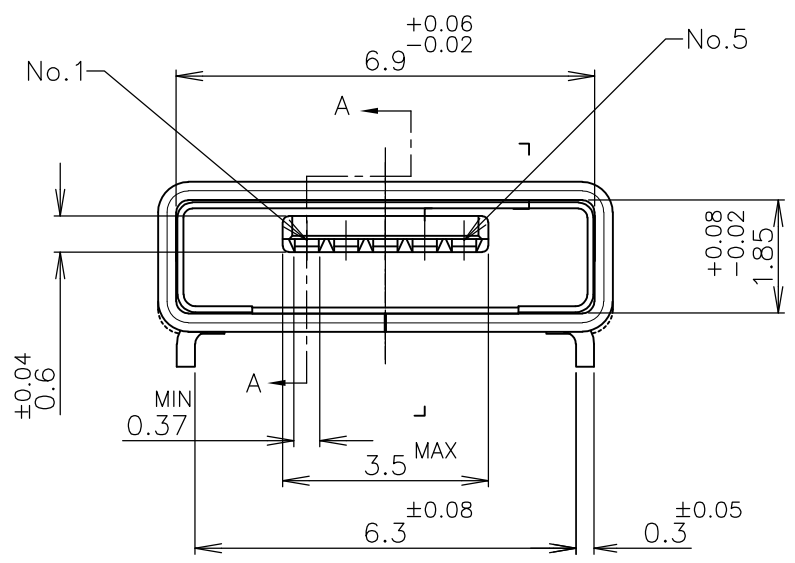
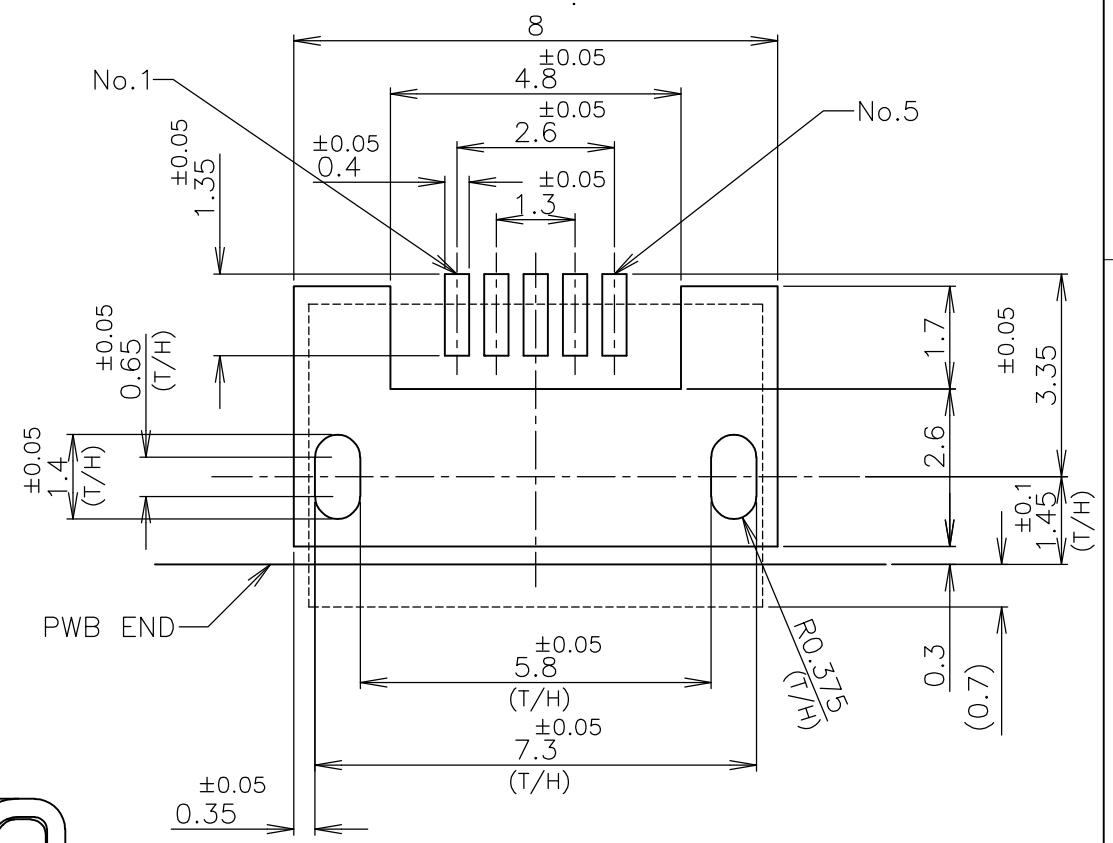
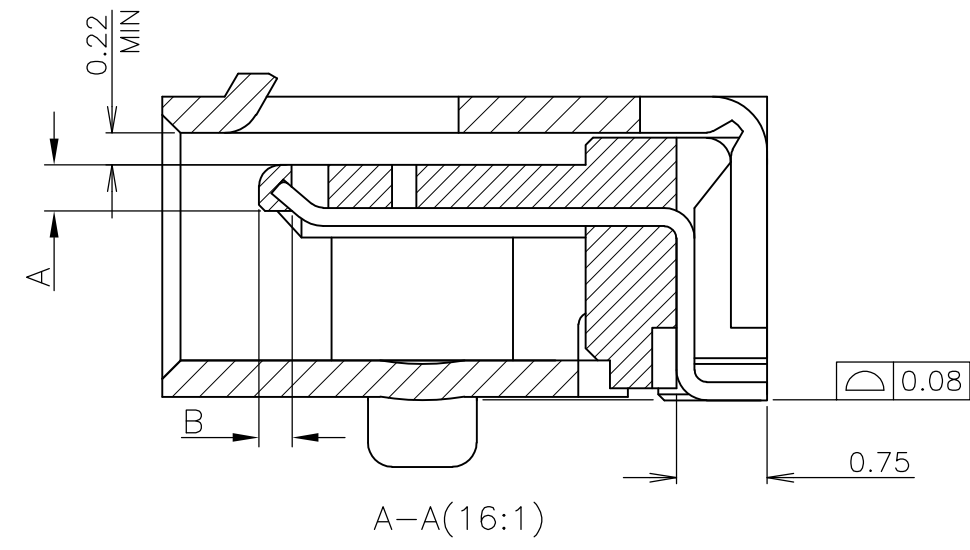
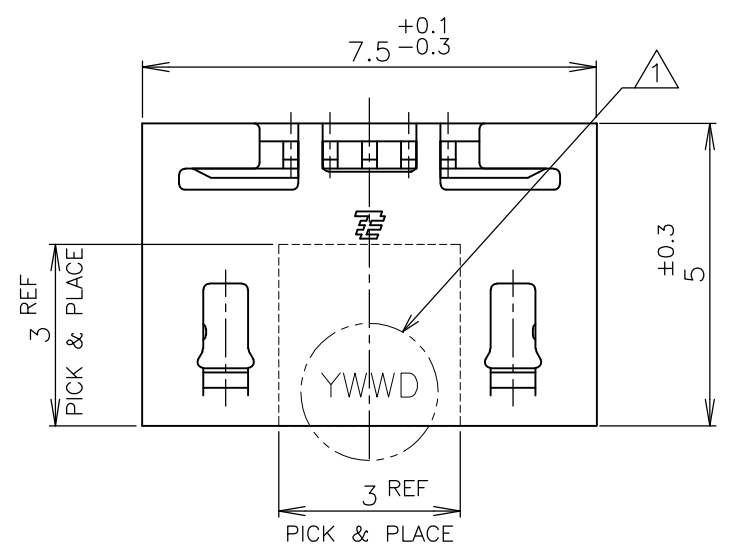


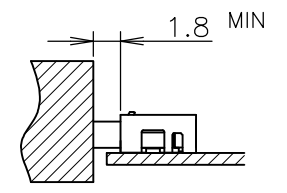
THIS DRAWING IS UNPUBLISHED. RELEASED FOR PUBLICATION NOV. 2011.
 © COPYRIGHT 2011 By Tyco Electronics Japan G.K. ALL RIGHTS RESERVED.

LOC	DIST	REVISIONS					
J	/	P	LTR	DESCRIPTION	DATE	DWN	APVD
		A7		REVISED PER ECR-19-004278	01NOV2019	J.M	S.H



PWB LAYOUT(REFERENCE)
(VIEWED FROM CONNECTOR MOUNT SIDE)

DISTANCE BETWEEN PLUG & RECE



(A7) OBSOLETE

(REFERENCE DIMENSION)

① LASER MARKING: YWWD
 DATE CODE (YEAR, WEEK, DAY)

- OVERALL TOLERANCE: ±0.2
- MATERIAL HOUSING: THERMOPLASTIC RESIN UL94V-0
CONTACT: COPPER ALLOY
SHELL : STAINLESS STEEL
(APPLIED GREASE AT LOCK POSITION)
- FINISH CONTACT: Ni UNDER PL Au PL
SHELL : Ni UNDER PL
Sn PL OR ADDITIONAL SELECTIVE BLACK Ni PL
- PREVENTION OF WRENCHING
PLEASE HOLD THE TOP AND THE SIDE OF CONNECTOR BY THE CASE.
- PREVENTION OF HITTING DURING PLUG INSERTION
PLEASE SET THE INSERTION GUIDE ALONG THE MATING SURFACE.
- FOR P/N:2134536-3, REFLOW PEAK TEMPERATURE: 250 DEGREE.
REFLOW PROCESS WITH NITROGEN PROTECTION.

⑥ ONLY 2134536-5&-6&-7 PIN1 DIM B=0.60, THE OTHER PIN&P/N DIM B=0.27

DESCRIPTION(HSG)	DESCRIPTION(SHELL)	PART NUMBER	DIM A	DIM B(PIN 1)	
⑤	COLOR: WHITE	Sn AND Ni PLATING	2134536-6	0.43	0.60
④	COLOR: BLACK	Ni 0.6um Min. PLATING GOLD FLASH PLATING	2134536-4	0.38	0.27
⑤	COLOR: BLACK	BLACK Ni SELECTIVE PLATING	2134536-5	0.43	0.60
④	COLOR: BLACK	BLACK Ni SELECTIVE PLATING	2134536-3	0.38	0.27
⑥	COLOR: GRAY	Sn AND Ni PLATING	2134536-7	0.43	0.60
①	COLOR: GRAY	Sn AND Ni PLATING	2134536-2	0.38	0.27

THIS DRAWING IS A CONTROLLED DOCUMENT.

DIMENSIONS: 単位: 耗 MM	TOLERANCES UNLESS OTHERWISE SPECIFIED: 一般公差	DWN C.OHASHI 07NOV2011	NAME C.OHASHI
0 PLC ± -	1 PLC ± -	CHK A.KUBO 08NOV2011	NAME A.KUBO
2 PLC ± -	3 PLC ± -	APVD T.KUSUHARA 08NOV2011	NAME T.KUSUHARA
4 PLC ± -	ANGLES ± -	PRODUCT SPEC 製品規格 108-78434	APPLICATION SPEC 取付適用規格 408-78009
MATERIAL 材料	FINISH 仕上	WEIGHT 0.24g	SIZE A3

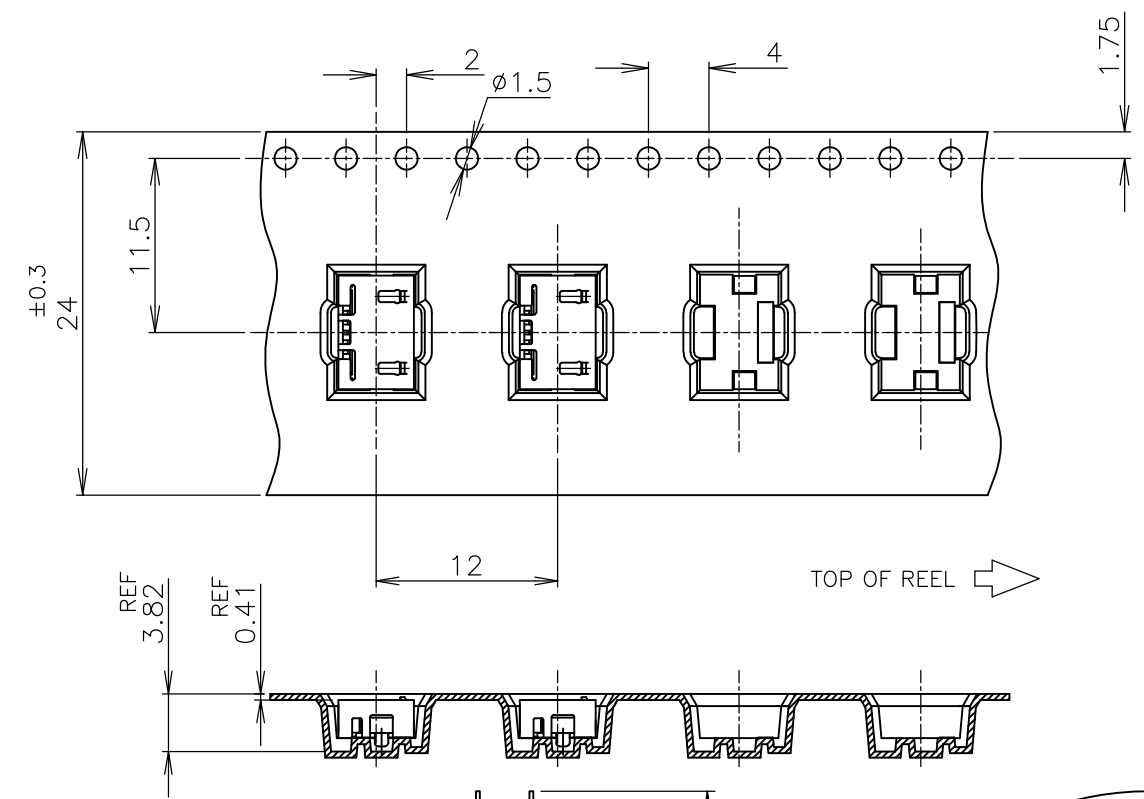


MICRO USB
RECEPTACLE STANDARD TYPE AB
FLANGELESS

RESTRICTED TO	SCALE 尺度 NTS	SHEET 1 OF 3	REV A7
---------------	-----------------	-----------------	-----------

THIS DRAWING IS UNPUBLISHED. RELEASED FOR PUBLICATION NOV. 2011.
 © COPYRIGHT 2011 By Tyco Electronics Japan G.K. ALL RIGHTS RESERVED.

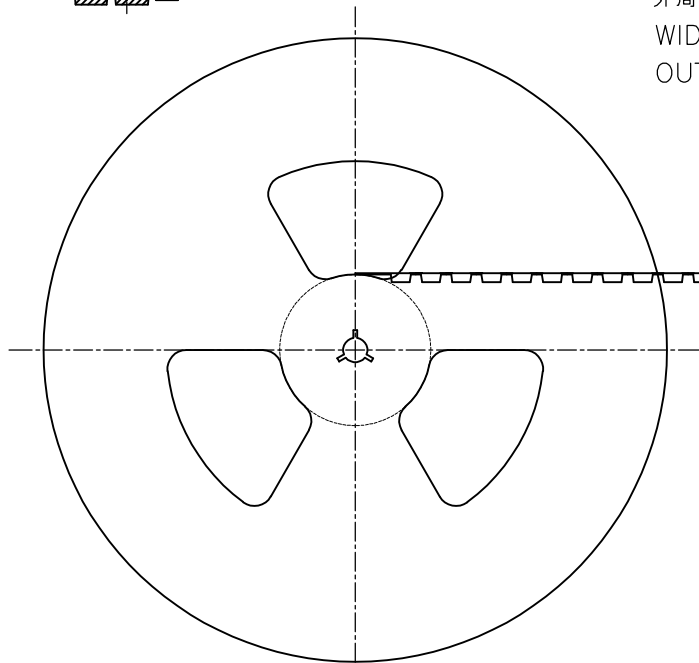
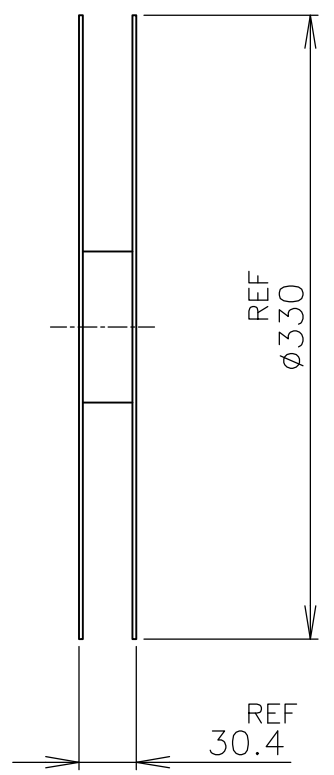
LOC	DIST	REVISIONS					
J	/	P	LTR	DESCRIPTION	DATE	DWN	APVD
		-		SEE SHEET 1	-	-	-



TOP OF REEL →

カバーテープリーダー部
 外周1巻
 WIDE COVER TAPE AROUND
 OUT PERIPHERY 1 TURN

剥離強度 0.1-1.3N MAX(300±10mm/min)
 PEELING STRENGTH
 剥離角度 165~180°
 PEELING ANGLE



引き出し方向
 TOP OF REEL

1000個/リール
 1000EA/REEL

HOLES
 15穴

空部 WITHOUT CHARGE 160mm程度 APPROX
 製品装填部 WITH PRODUCT CHARGE
 空部 WITHOUT CHARGE 400mm程度 APPROX

THIS DRAWING IS A CONTROLLED DOCUMENT.		DWN	TE Connectivity		
DIMENSIONS: 単位: 耗 MM		CHK	NAME 名称		
TOLERANCES UNLESS OTHERWISE SPECIFIED: 一般公差		APVD	MICRO USB RECEPTACLE STANDARD TYPE AB FLANGELESS		
0 PLC ±- 1 PLC ±- 2 PLC ±- 3 PLC ±- 4 PLC ±- ANGLES ±- MATERIAL 材料 FINISH 仕上		PRODUCT SPEC 製品規格	SIZE	CAGE CODE	DRAWING NO 番号
		APPLICATION SPEC 取付適用規格	A3	00779	C-2134536
		WEIGHT	RESTRICTED TO		
		CUSTOMER DRAWING	SCALE 尺度 NTS	SHEET 2 OF 3	REV A7

THIS DRAWING IS UNPUBLISHED.

RELEASED FOR PUBLICATION

NOV ,2011.

© COPYRIGHT 2011 By Tyco Electronics Japan G.K.

ALL RIGHTS RESERVED.

LOC
J

DIST
/

REVISIONS

変更

DESCRIPTION

DATE

DWN

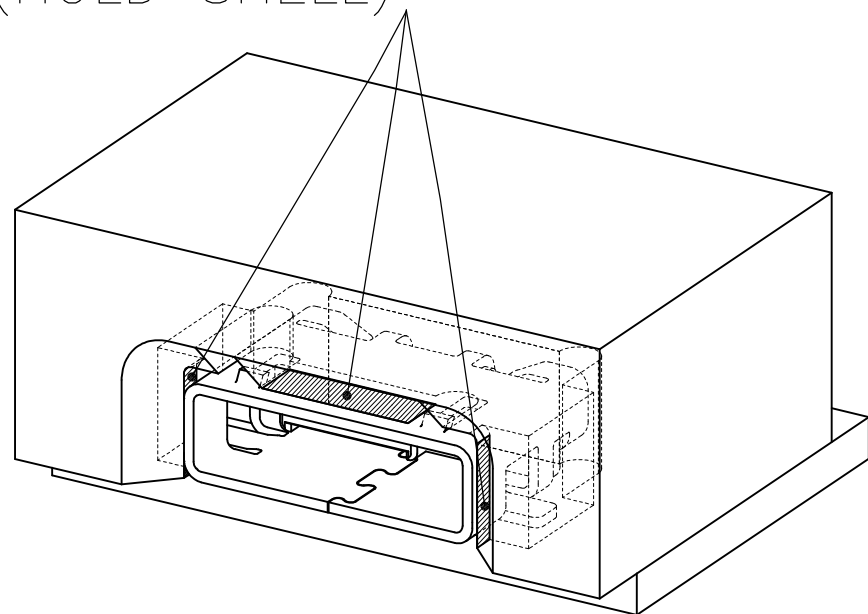
APVD

P

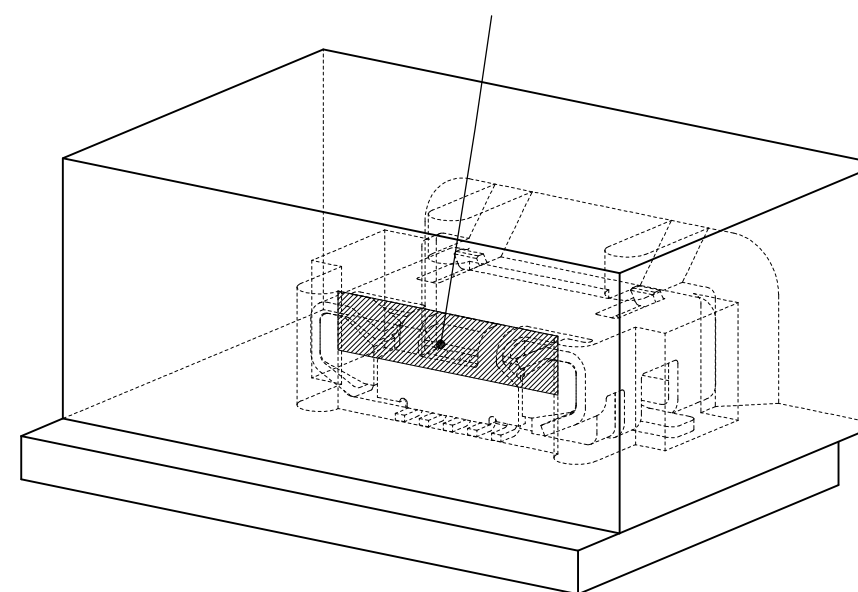
LTR

SEE SHEET 1

CONNECTOR INSERTION OPENING
(HOLD SHELL)

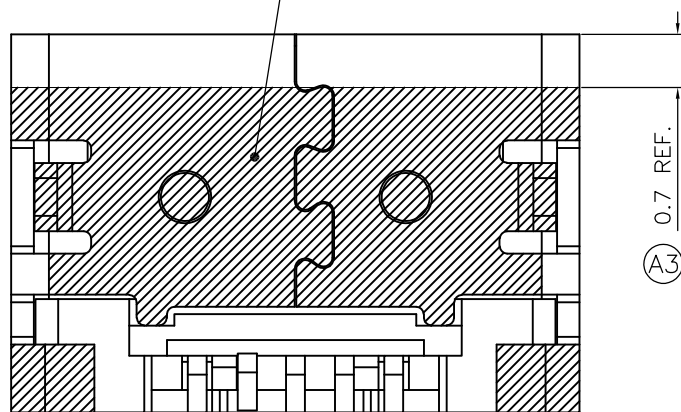



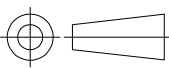
CONNECTOR BACK SIDE
(HOLD SHELL AND HOUSING)



GUIDE CASE FOR WRENCHING (REFERENCE)

SELECTIVE PLATING AREA (A3)
(Sn PLATING AREA)



THIS DRAWING IS A CONTROLLED DOCUMENT.		DWN	-			 TE Connectivity	
DIMENSIONS: 単位: 耗 MM		CHK	-				NAME 名称 MICRO USB RECEPTACLE STANDARD TYPE AB FLANGELESS
TOLERANCES UNLESS OTHERWISE SPECIFIED: 一般公差		APVD	-				
0 PLC ± - 1 PLC ± - 2 PLC ± - 3 PLC ± - 4 PLC ± - ANGLES ± - MATERIAL 材料 FINISH 仕上		PRODUCT SPEC 製品規格	-				SIZE A3 CAGE CODE 00779 DRAWING NO 番号 C-2134536 RESTRICTED TO -
		APPLICATION SPEC 取付適用規格	-				
		WEIGHT	-			SCALE 尺度 NTS	
		CUSTOMER DRAWING		SHEET 3 OF 3		REV A7	