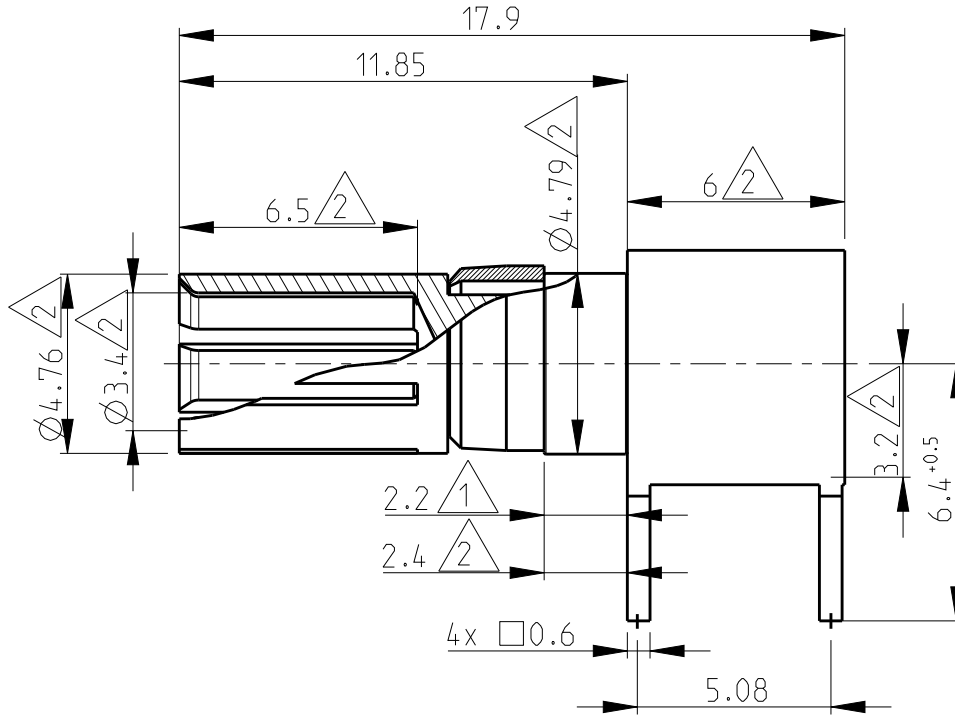
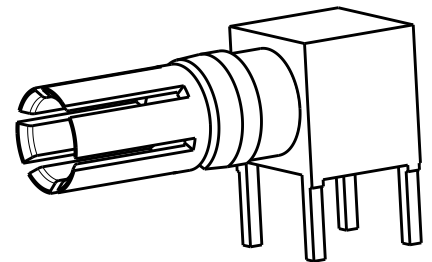


LOC GW	DIST -	REVISIONS				
P	LTR	DESCRIPTION	DATE	DWN	APVD	
	A2	ECR-13-009232	10JUN2013	ET	TK	



4) Application : DIN 41612 type M

-  Measured with spring moved towards mating face.
-  Max dimensions.
-  Min dimension.



3:1

Cross reference table

Old part number	TE part number	Current	Material	Plating
C42334-A347-A194	2-1393589-9	40 A	CuBe	1 μm Au or Pd in contact area

1:1



2000


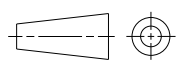
RELEASED FOR PUBLICATION

ALL RIGHTS RESERVED.

BY -

© COPYRIGHT 2000

THIS DRAWING IS UNPUBLISHED.

DIMENSIONS: mm	DWN B. Lenvain	19APR2001	MATERIAL	-	FINISH	-
	CHK K. Mattheeuws	19APR2001	 TE Connectivity			
TOLERANCES UNLESS OTHERWISE SPECIFIED:	APVD R. Leeman	19APR2001				
0 PLC ±	PRODUCT SPEC	-	NAME High current socket with PCB connection			
1 PLC ±	-	-	SIZE	CAGE CODE	DRAWING NO	RESTRICTED TO
2 PLC ±	APPLICATION SPEC	-	A 4	00779	©=2-1393589-9	-
3 PLC ±	-	-	WEIGHT			-
4 PLC ±	-	-	CUSTOMER DRAWING			SCALE
ANGLES ±	-	-	SCALE			5/1
			SHEET		1	OF 1
			REV		A2	