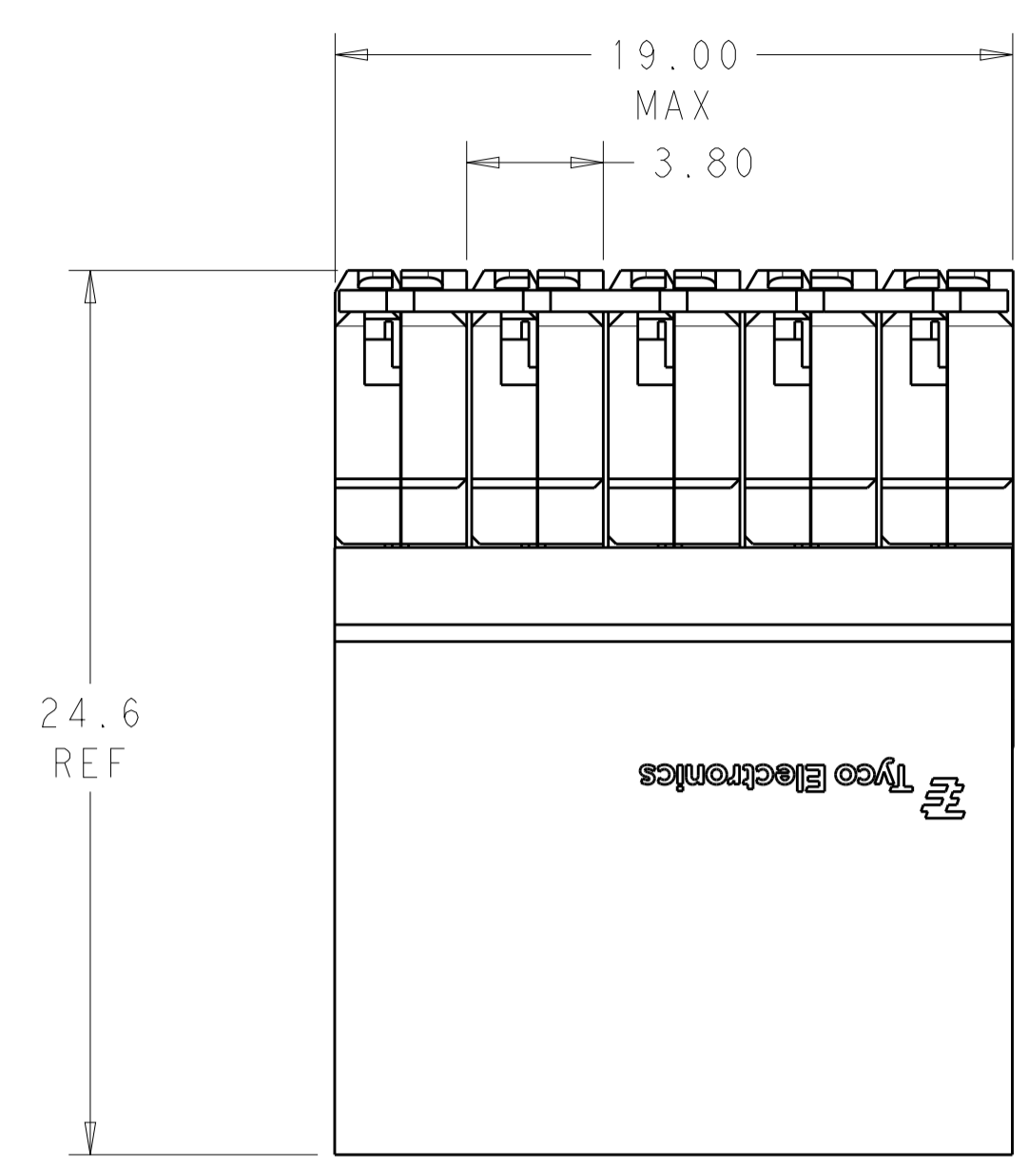
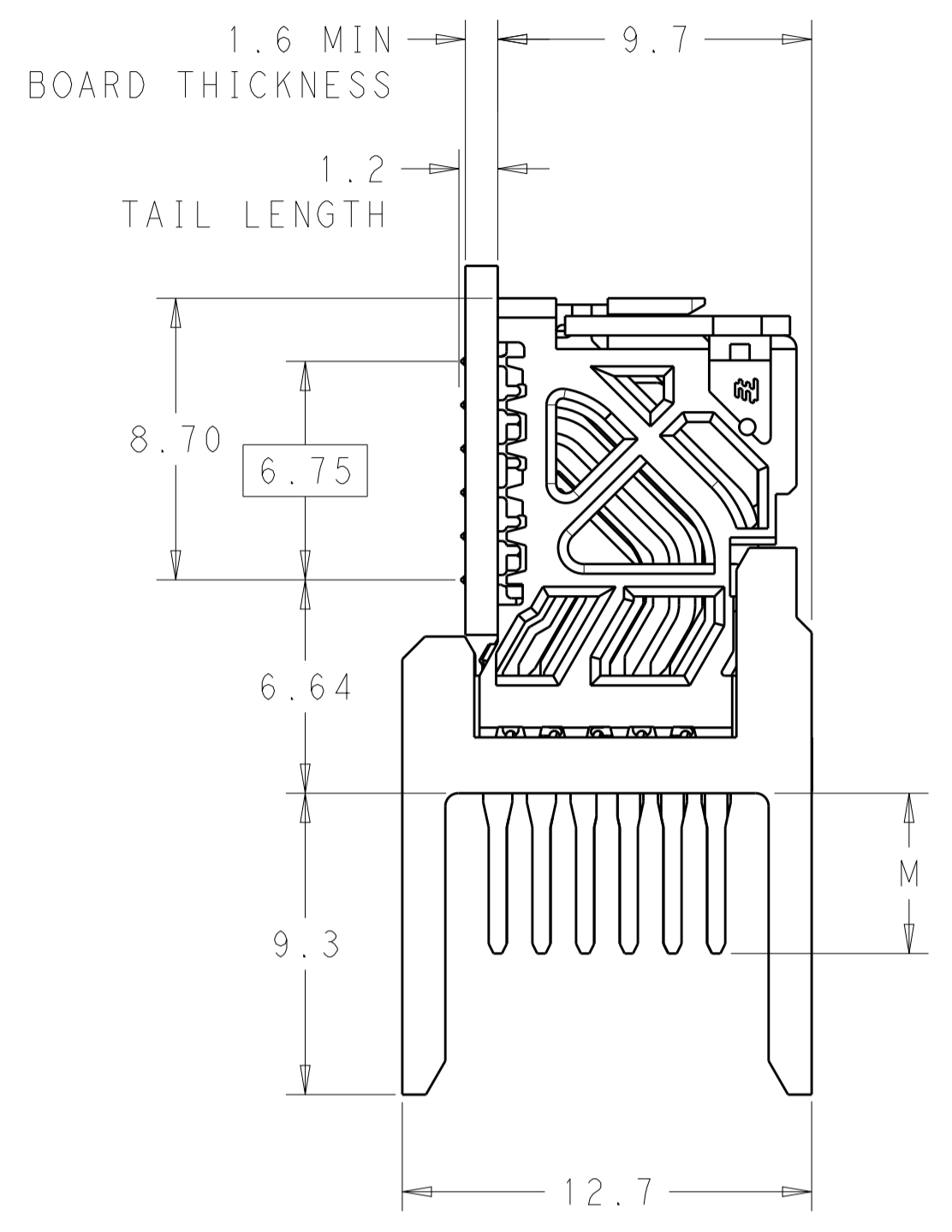
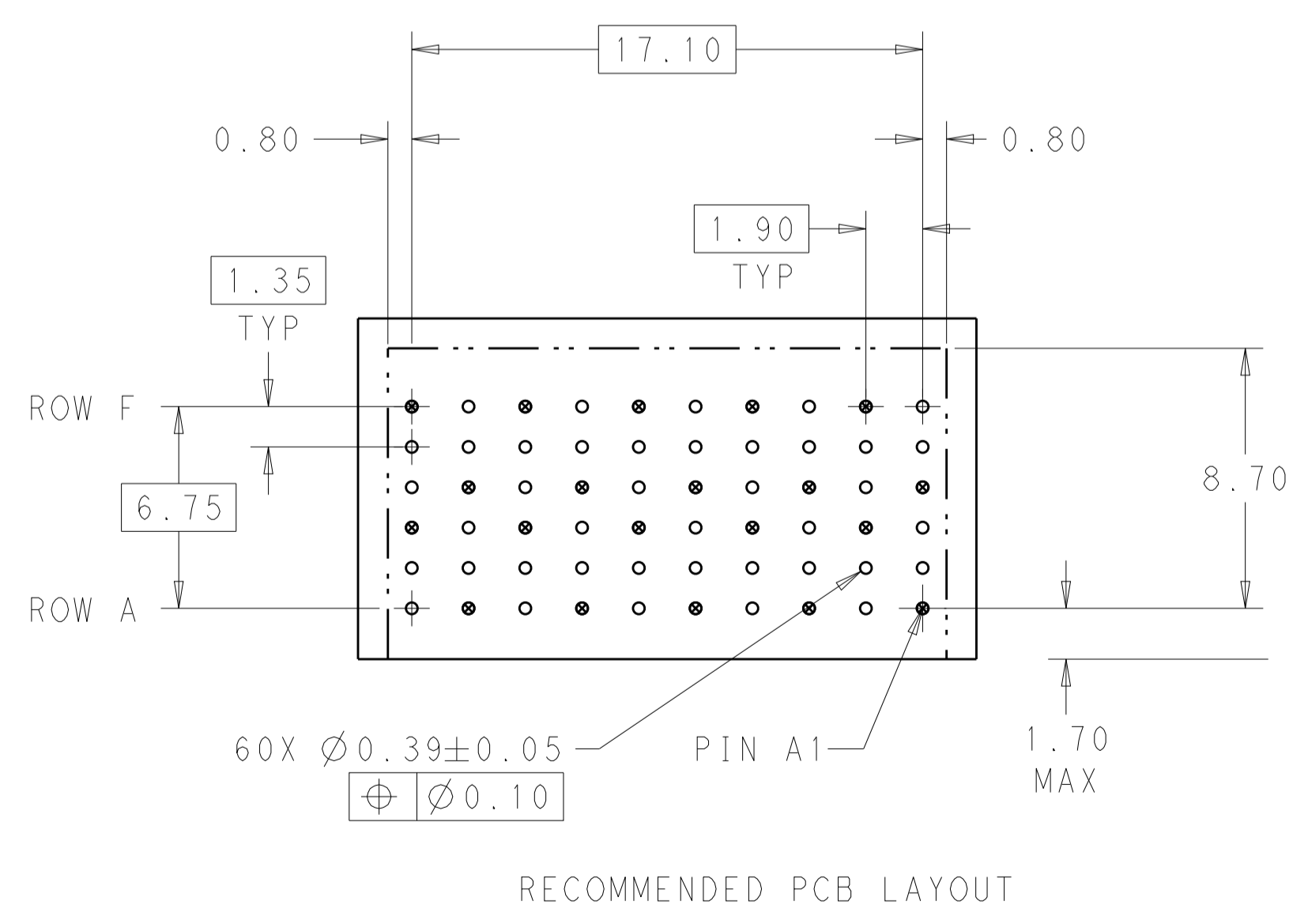
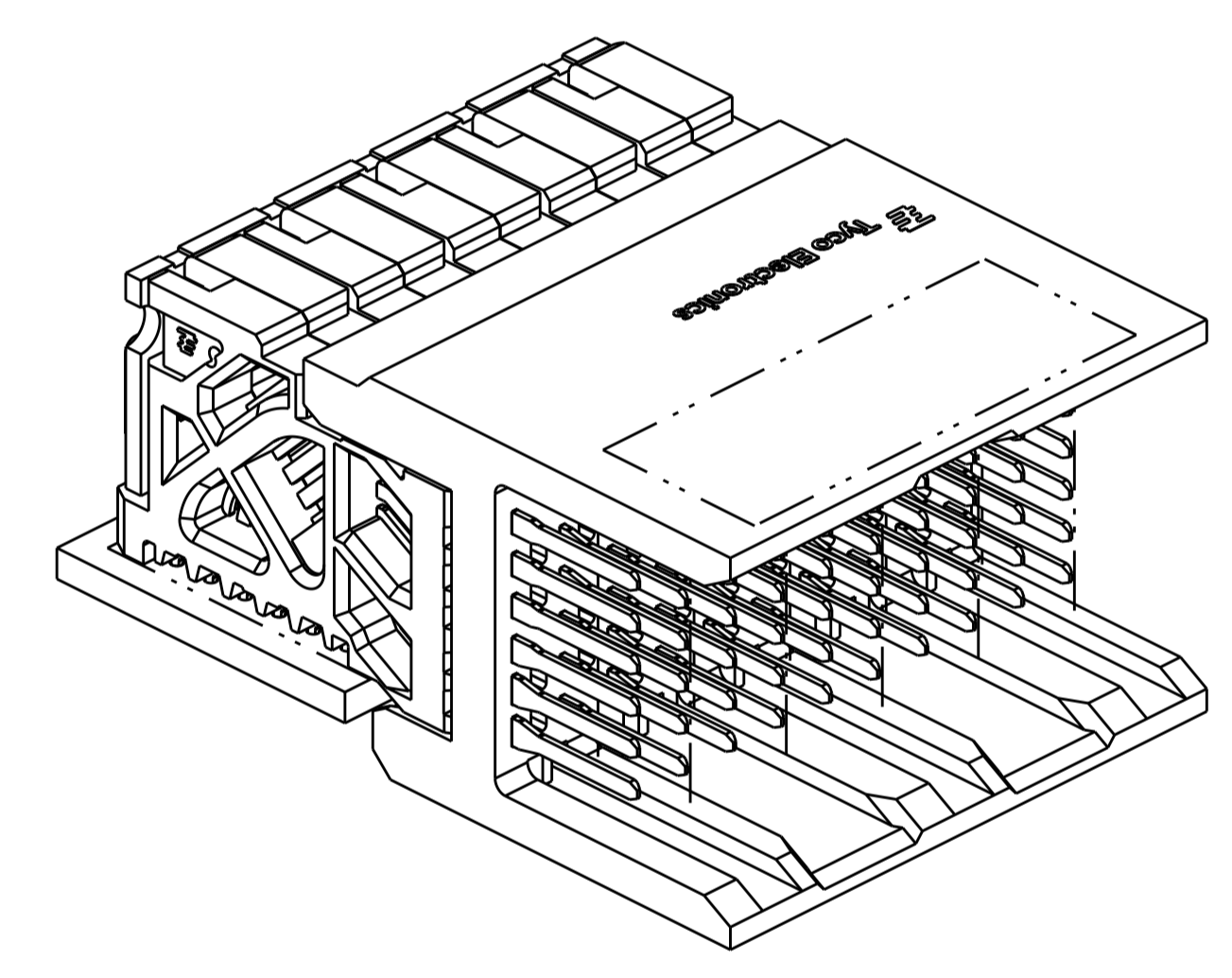
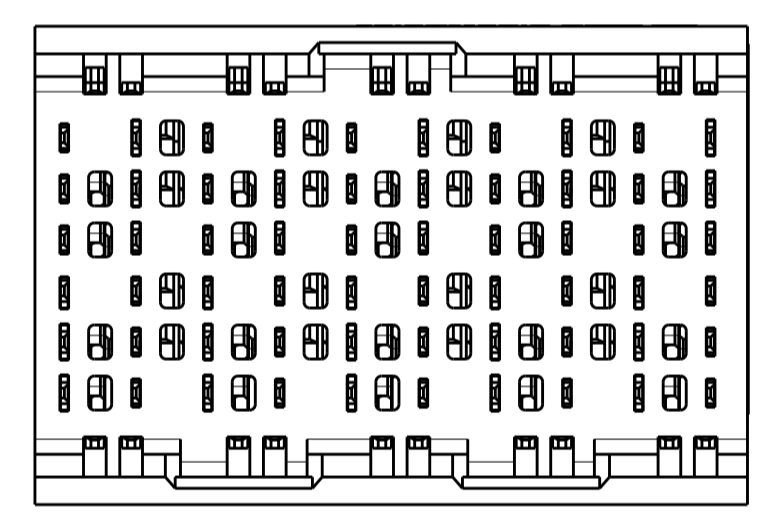


| REVISIONS |      |                           |           |       |
|-----------|------|---------------------------|-----------|-------|
| P.        | LTN. | DESCRIPTION               | DATE      | APV.  |
| B         |      | REVISED PER ECO-14-005775 | 21APR2014 | AP DD |
|           |      |                           |           |       |
|           |      |                           |           |       |



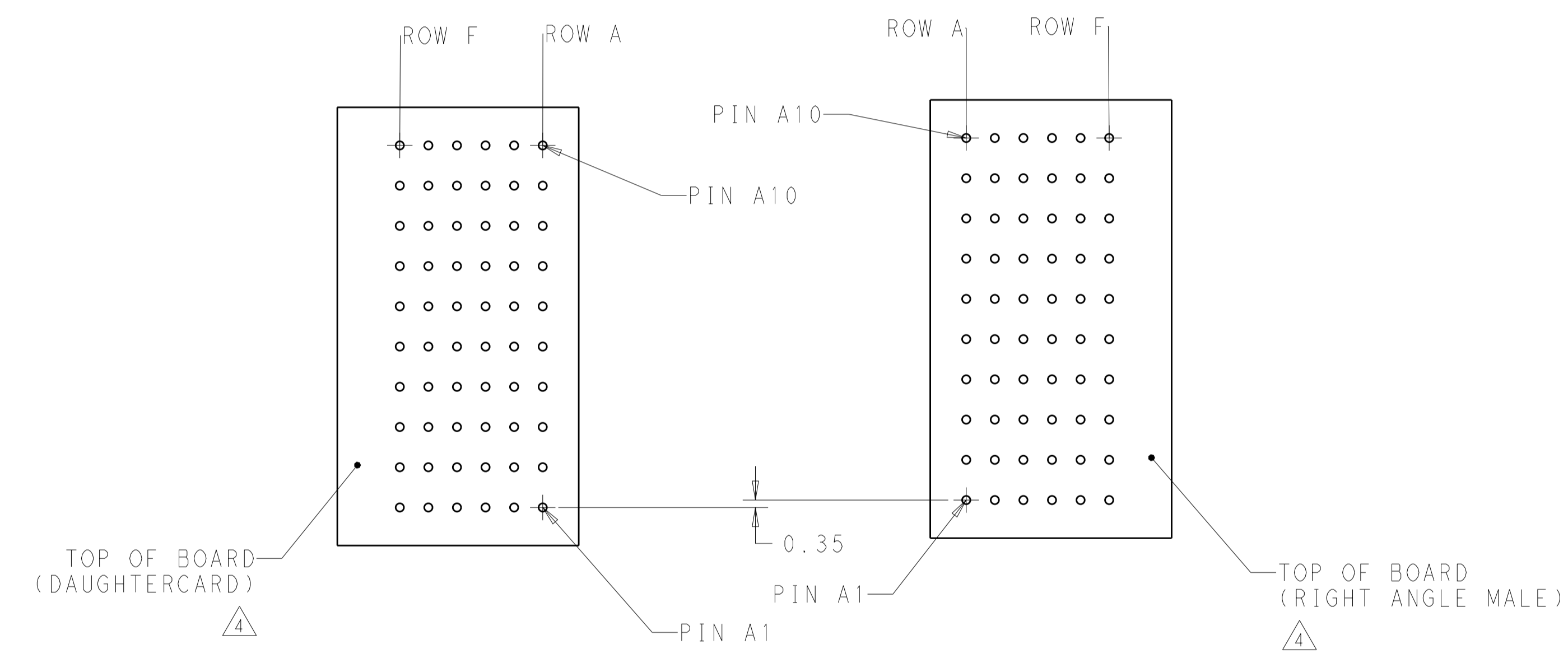
- 1 MATERIAL:  
HOUSING: LCP, GLASS FILLED, UL94V-0.  
TERMINALS: HIGH PERFORMANCE COPPER ALLOY.
- 2 FINISH:  
30µm SELECTIVE GOLD IN CONTACT AREA. SELECTIVE TIN ON PCB TAILS, NICKEL OVERALL.
- 3 FINISH:  
30µm SELECTIVE GOLD IN CONTACT AREA. SELECTIVE TIN-LEAD ON PCB TAILS, NICKEL OVERALL.
- 4 UNGUIDED RIGHT ANGLE MALE MATES TO UNGUIDED RIGHT ANGLE RECEPTACLE.



RECOMMENDED PCB LAYOUT

|   |  |   |           |  |                            |
|---|--|---|-----------|--|----------------------------|
| THIS DRAWING IS A CONTROLLED DOCUMENT.  |  | DWN   | 06APR2011 | <b>PRELIMINARY</b>   | <b>STE</b> TE Connectivity |
| DIMENSIONS:   |  | CHK   | 06APR2011 |  |                            |
| TOLERANCES UNLESS OTHERWISE SPECIFIED:  |  | APV   | 06APR2011 |  |                            |
| mm  |  | APV   | 06APR2011 |  |                            |
| 0 PLC ±<br>1 PLC ±0.25<br>2 PLC ±0.13<br>3 PLC ±<br>4 PLC ±<br>ANGLES ±<br>FINISH ± |  | NAME<br>PRODUCT SPEC<br>APPLICATION SPEC<br>SIZE CAGE CODE DRAWING NO<br>WEIGHT<br>CUSTOMER DRAWING |           | IMPACT STD RAM 2 PAIR 10 COLUMN, UNGUIDED OPEN END WALL SIGNAL MODULE, 0.39 EYELET<br>A100779C=2143012<br>SCALE 5:1 SHEET 1 OF 2 REV B |                            |

| REVISIONS |      |             |      |       |
|-----------|------|-------------|------|-------|
| P.        | LTN. | DESCRIPTION | DATE | APVD. |
| -         | -    | SEE SHEET 1 | -    | -     |
|           |      |             |      |       |
|           |      |             |      |       |



COPLANAR MATED SIGNAL PATHS



|        |       |             |
|--------|-------|-------------|
| △3     | 5.50  | 2143012-6   |
| △3     | 4.90  | 2143012-5   |
| △2     | 5.50  | 2143012-3   |
| △2     | 4.90  | 2143012-2   |
| FINISH | DIM M | PART NUMBER |

REFER TO WWW.TE.COM FOR PRODUCT AVAILABILITY

|   |        |   |  |
|---|--------|---|--|
| THIS DRAWING IS A CONTROLLED DOCUMENT.                                  |        | DWN - 06APR2011   |  |
| DIMENSIONS: mm  |        | CHK J. EARY 06APR2011   |  |
| TOLERANCES UNLESS OTHERWISE SPECIFIED:                                  |        | APVD J. EARY 06APR2011  |  |
| 0 PLC ±<br>1 PLC ±0.25<br>2 PLC ±0.13<br>3 PLC ±<br>4 PLC ±<br>ANGLES ± |        | NAME IMPACT, STD, RAM, 2 PAIR, 10 COLUMN, UNGUIDED OPEN END WALL SIGNAL MODULE, 0.39 EYELET |  |
| MATERIAL  | FINISH | WEIGHT  | RESTRICTED TO  |
| SEE TABLE   |        | CUSTOMER DRAWING  | SIZE A100779<br>CAGE CODE<br>DRAWING NO. C=2143012<br>SCALE 5:1 SHEET 2 OF 2 REV B |