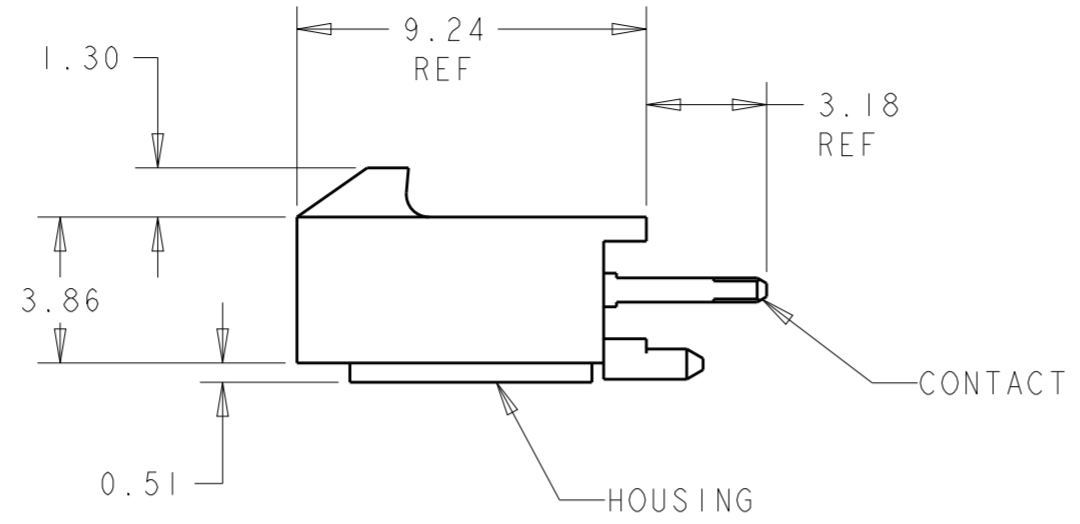
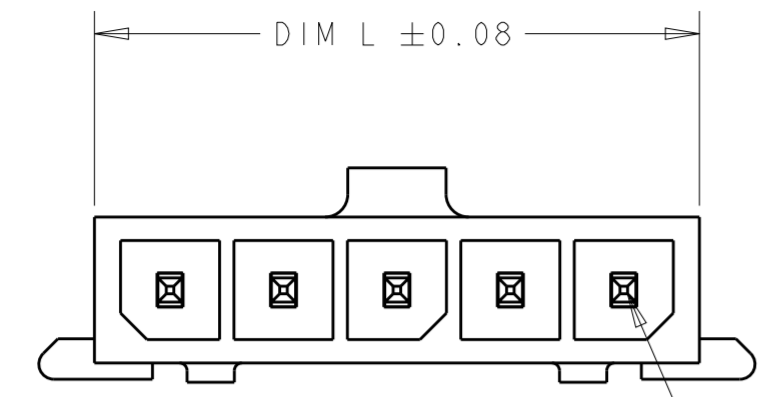
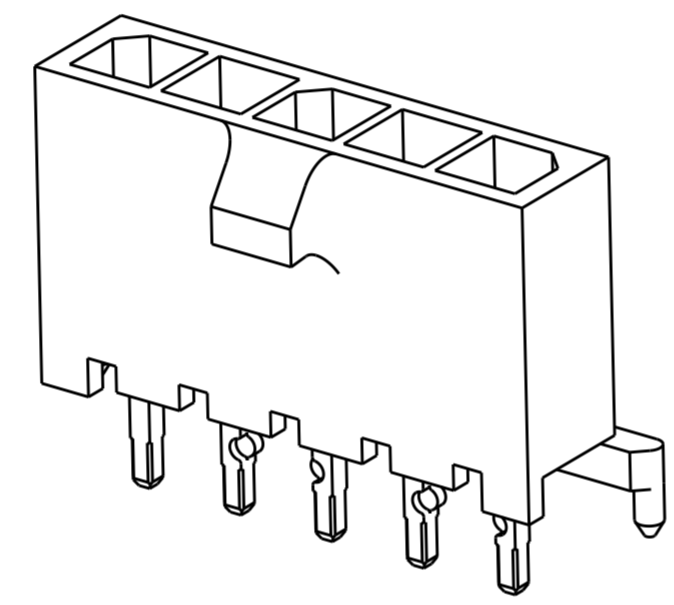
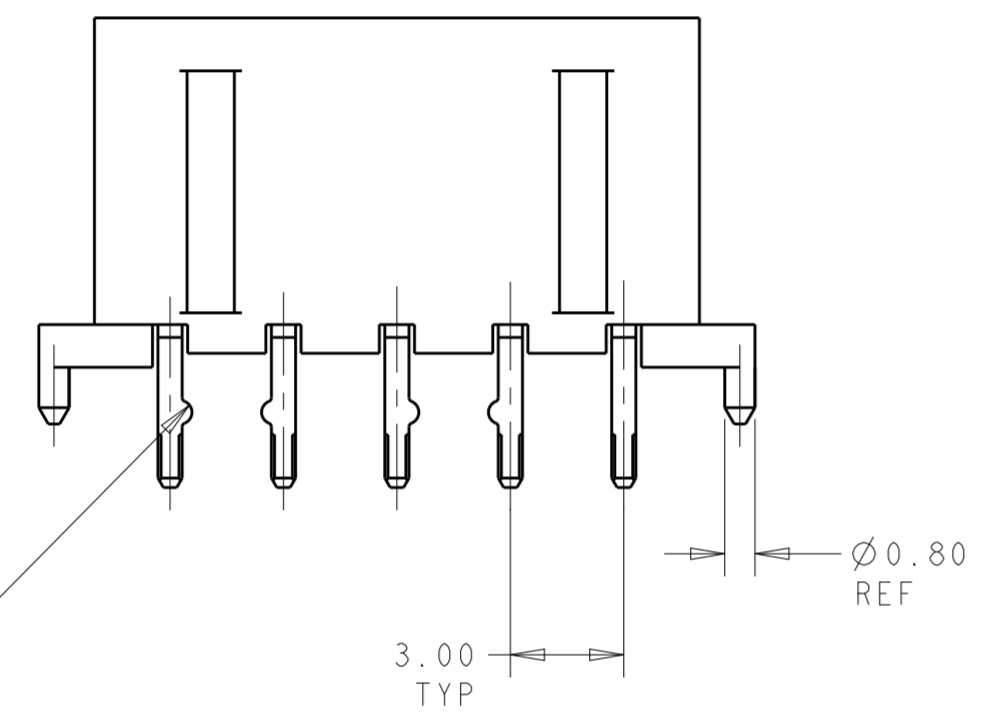


THIS DRAWING IS UNPUBLISHED. RELEASED FOR PUBLICATION 20  
 © COPYRIGHT 20 BY - ALL RIGHTS RESERVED.

| REVISIONS |     |                           |           |       |
|-----------|-----|---------------------------|-----------|-------|
| P         | LTR | DESCRIPTION               | DATE      | APVD  |
| B2        |     | REVISED PER ECR-16-011494 | 20JUN2017 | NK CX |
| B3        |     | ECO-19-006934             | 13MAY2019 | AP WS |

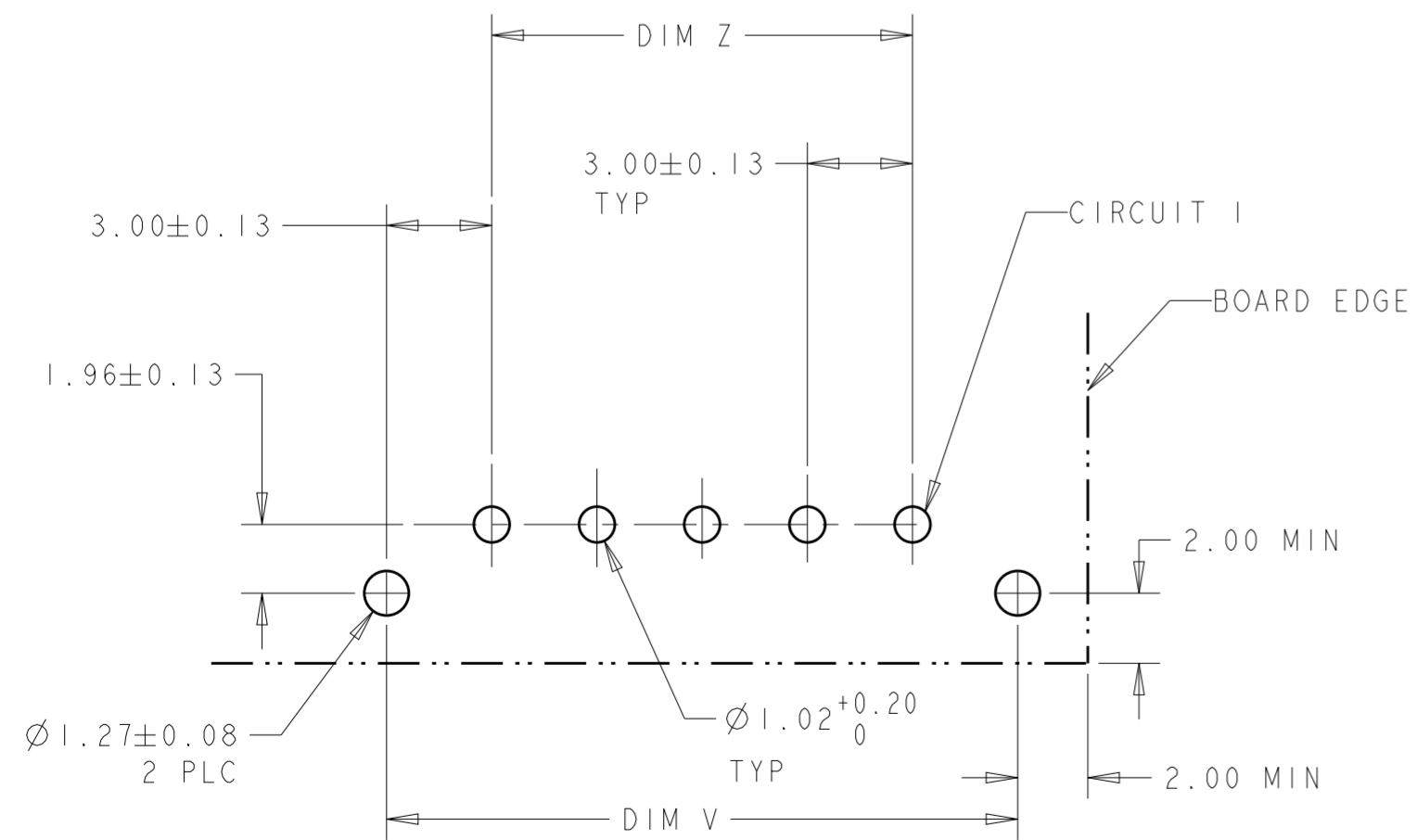


- 1 MATERIAL: CONTACTS - BRASS  
HOUSING - UL 94V-0 RATED HIGH TEMP NYLON, COLOR BLACK.
- 2 PLATING: CONTACTS - 0.38µm MINIMUM GOLD ON MATING END, 2.54µm MINIMUM TIN LEAD ON SOLDER TAILS, BOTH OVER 1.27µm MINIMUM NICKEL.
- 4 RECOMMENDED PC BOARD THICKNESS OF 1.57.
- 5 RETENTION BUMP FEATURES FACE EACH OTHER, TYPICAL ALL CONFIGURATIONS.
- 6 PLATING: CONTACTS - 0.38µm MINIMUM GOLD ON MATING END, 2.54µm MINIMUM MATTE TIN ON SOLDER TAILS, BOTH OVER 1.27µm MINIMUM NICKEL.



| FINISH | CON POS W/RET BUMP | DIM Z | DIM V | DIM L | NO. OF POSN | PART NUMBER |
|--------|--------------------|-------|-------|-------|-------------|-------------|
| 6      | 1, 2, 11, 12       | 33.00 | 39.14 | 37.00 | 12          | 3-1445084-2 |
| 6      | 1, 2, 9, 10        | 30.00 | 36.14 | 34.00 | 11          | 3-1445084-1 |
| 6      | 1, 2, 9, 10        | 27.00 | 33.14 | 31.00 | 10          | 3-1445084-0 |
| 6      | 1, 2, 7, 8         | 24.00 | 30.14 | 28.00 | 9           | 2-1445084-9 |
| 6      | 1, 2, 7, 8         | 21.00 | 27.14 | 25.00 | 8           | 2-1445084-8 |
| 6      | 1, 2, 5, 6         | 18.00 | 24.14 | 22.00 | 7           | 2-1445084-7 |
| 6      | 1, 2, 5, 6         | 15.00 | 21.14 | 19.00 | 6           | 2-1445084-6 |
| 6      | 1, 2, 3, 4         | 12.00 | 18.14 | 16.00 | 5           | 2-1445084-5 |
| 6      | 1, 2, 3, 4         | 9.00  | 15.14 | 13.00 | 4           | 2-1445084-4 |
| 6      | 1, 2               | 6.00  | 12.14 | 10.00 | 3           | 2-1445084-3 |
| 6      | 1, 2               | 3.00  | 9.14  | 7.00  | 2           | 2-1445084-2 |

SUPERSEDED BY 3-1445084-2  
 SUPERSEDED BY 3-1445084-1  
 SUPERSEDED BY 3-1445084-0  
 SUPERSEDED BY 2-1445084-9  
 SUPERSEDED BY 2-1445084-8  
 SUPERSEDED BY 2-1445084-7  
 SUPERSEDED BY 2-1445084-6  
 SUPERSEDED BY 2-1445084-5  
 SUPERSEDED BY 2-1445084-4  
 SUPERSEDED BY 2-1445084-3  
 SUPERSEDED BY 2-1445084-2



PCB LAYOUT COMPONENT SIDE 4

| FINISH | CON POS W/RET BUMP | DIM Z | DIM V | DIM L | NO. OF POSN | PART NUMBER |
|--------|--------------------|-------|-------|-------|-------------|-------------|
| 2      | 1, 2, 11, 12       | 33.00 | 39.14 | 37.00 | 12          | 1-1445084-2 |
| 2      | 1, 2, 9, 10        | 30.00 | 36.14 | 34.00 | 11          | 1-1445084-1 |
| 2      | 1, 2, 9, 10        | 27.00 | 33.14 | 31.00 | 10          | 1-1445084-0 |
| 2      | 1, 2, 7, 8         | 24.00 | 30.14 | 28.00 | 9           | 1-1445084-9 |
| 2      | 1, 2, 7, 8         | 21.00 | 27.14 | 25.00 | 8           | 1-1445084-8 |
| 2      | 1, 2, 5, 6         | 18.00 | 24.14 | 22.00 | 7           | 1-1445084-7 |
| 2      | 1, 2, 5, 6         | 15.00 | 21.14 | 19.00 | 6           | 1-1445084-6 |
| 2      | 1, 2, 3, 4         | 12.00 | 18.14 | 16.00 | 5           | 1-1445084-5 |
| 2      | 1, 2, 3, 4         | 9.00  | 15.14 | 13.00 | 4           | 1-1445084-4 |
| 2      | 1, 2               | 6.00  | 12.14 | 10.00 | 3           | 1-1445084-3 |
| 2      | 1, 2               | 3.00  | 9.14  | 7.00  | 2           | 1-1445084-2 |

THIS DRAWING IS A CONTROLLED DOCUMENT. DWN J. ROOT 10OCT2000  
 CHK K. WHITAKER 17-APR-2001  
 APVD C. JONES 17-APR-2001

**STE** TE Connectivity

NAME: VERTICAL THRU HOLE HEADER ASSY, 0.38 MIC GOLD CONTACTS W/PCB PLZLN FEATURE, SGL ROW, MICRO MATE-N-LOK™

SIZE: A2 CAGE CODE: 00779 DRAWING NO: 1445084 RESTRICTED TO: -  
 SCALE: 5:1 SHEET: 1 OF 1 REV: B3

MATERIAL: SEE TABLE  
 DIMENSIONS: mm  
 TOLERANCES UNLESS OTHERWISE SPECIFIED:  
 0 PLC ±  
 1 PLC ±  
 2 PLC ±0.20  
 3 PLC ±  
 4 PLC ±  
 ANGLES ±  
 FINISH: SEE TABLE

PRODUCT SPEC: 108-1836  
 APPLICATION SPEC: 114-13000  
 WEIGHT: -  
 CUSTOMER DRAWING