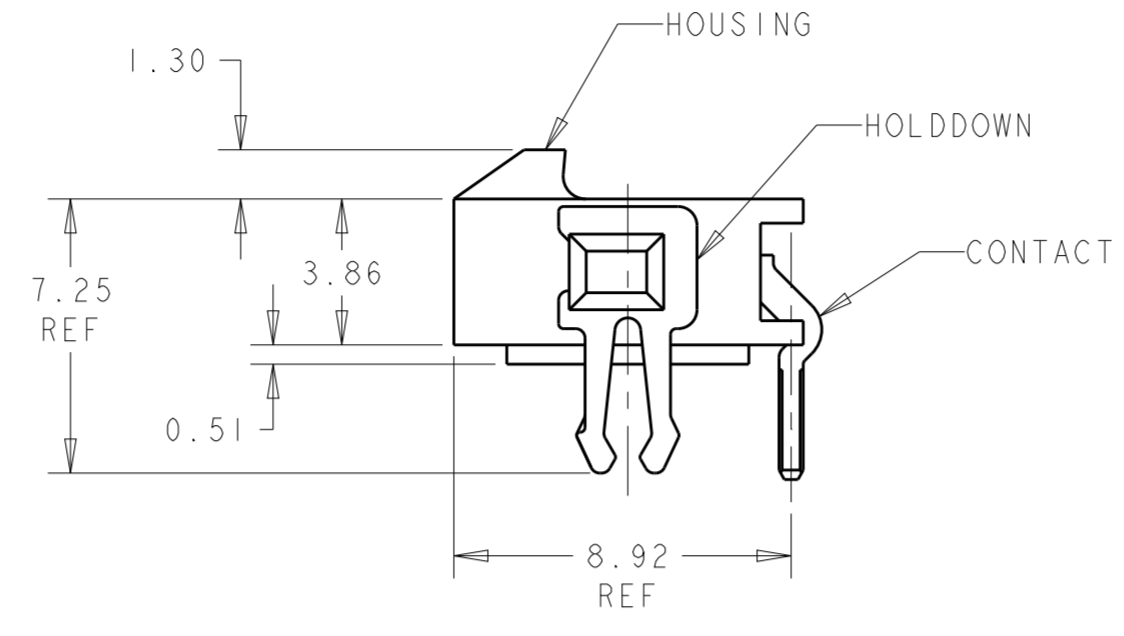
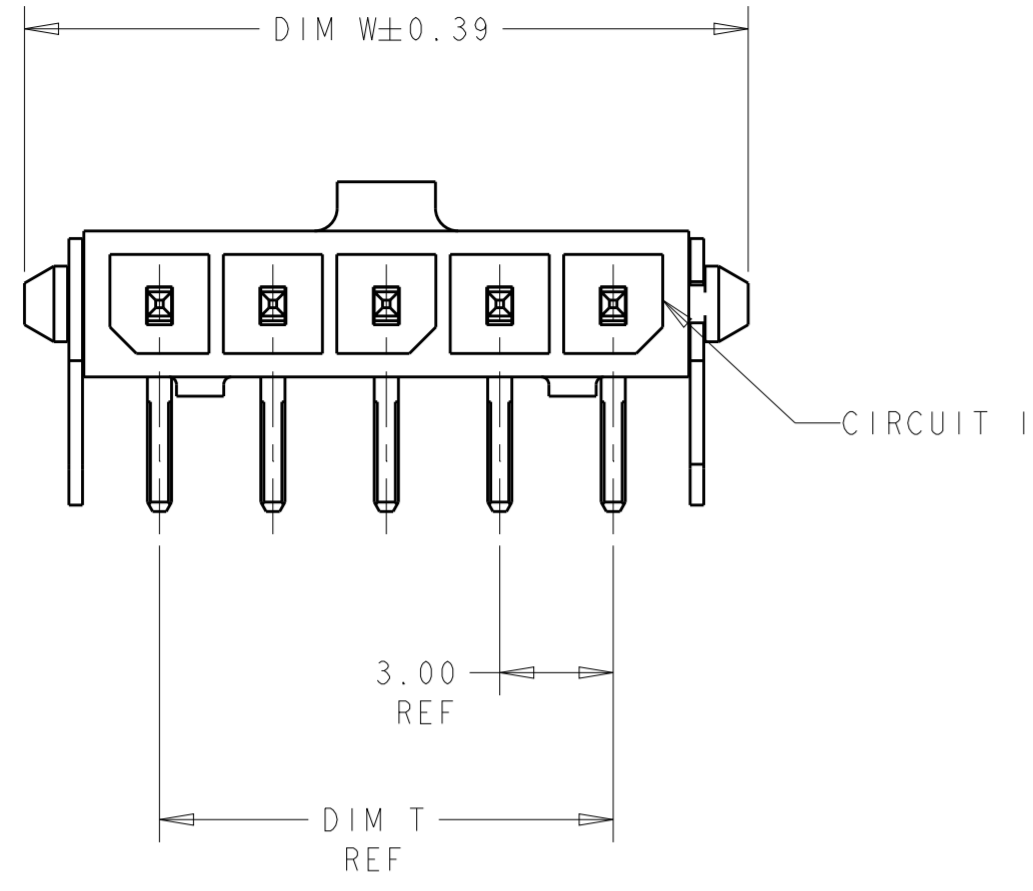
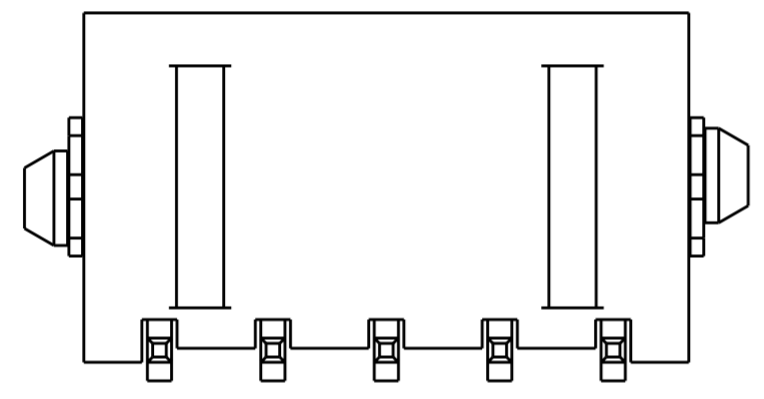


THIS DRAWING IS UNPUBLISHED. RELEASED FOR PUBLICATION 2011  
 © COPYRIGHT 2011 ALL RIGHTS RESERVED.

REVISIONS					
P	LTR	DESCRIPTION	DATE	DWN	APVD
A2		REVISED PER ECR-16-011494	26JUN2017	NK	CX
A3		ECO-19-006934	10MAY2019	AP	WS

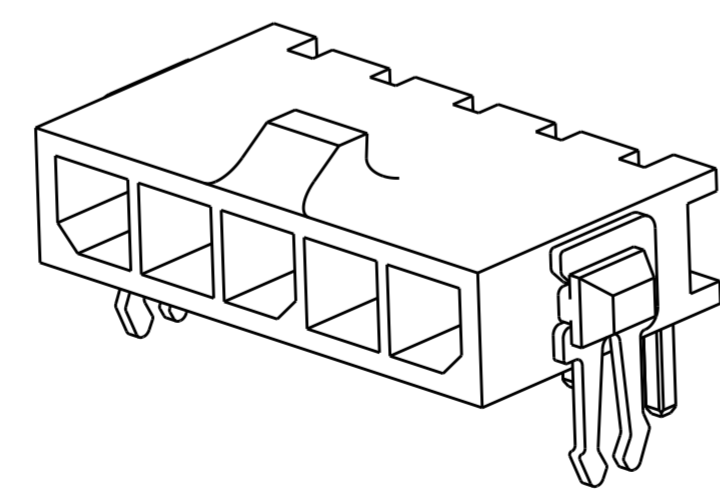
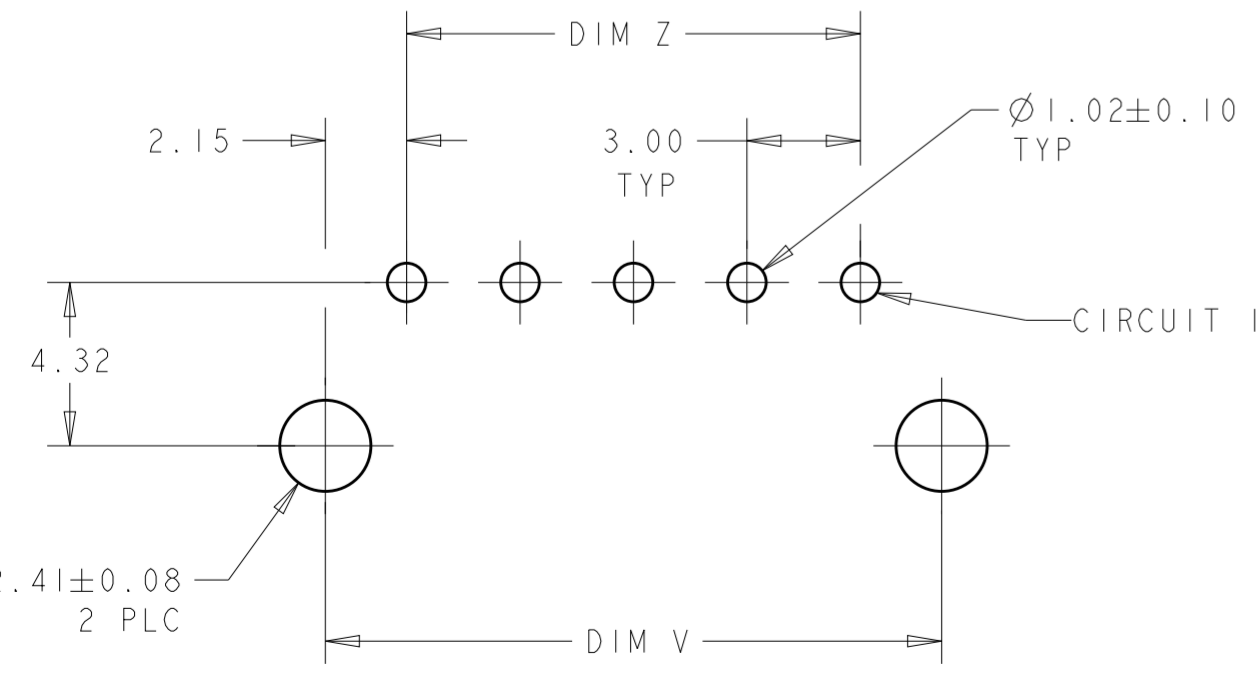


- 1 MATERIAL: CONTACTS - BRASS  
HOUSING - UL 94V-0 RATED HIGH TEMP NYLON, COLOR BLACK.  
HOLDDOWNS: - PHOSPHOR BRONZE.
- 2 PLATING: CONTACTS - 0.38µm MINIMUM GOLD ON MATING END,  
2.54µm MINIMUM TIN LEAD ON SOLDER TAILS, BOTH OVER  
1.27µm MINIMUM NICKEL.  
HOLDDOWNS: 2.54µm MINIMUM TIN-LEAD OVER 1.27µm MINIMUM  
NICKEL.
- 4 RECOMMENDED PC BOARD THICKNESS OF 1.57.
- 5 PLATING: CONTACTS - 0.38µm MINIMUM GOLD ON MATING END,  
2.54µm MINIMUM MATTE TIN ON SOLDER TAILS, BOTH OVER  
1.27µm MINIMUM NICKEL.  
HOLDDOWNS: 2.54µm MINIMUM MATTE TIN OVER 1.27µm MINIMUM  
NICKEL.



FINISH	DIM Z	DIM V	DIM T	DIM W	NO. OF POSN	PART NUMBER
5	33.00	37.43	33.00	40.14	12	3-1445088-2
5	30.00	34.43	30.00	37.14	11	3-1445088-1
5	27.00	31.43	27.00	34.14	10	3-1445088-0
5	24.00	28.43	24.00	31.14	9	2-1445088-9
5	21.00	25.43	21.00	28.14	8	2-1445088-8
5	18.00	22.43	18.00	25.14	7	2-1445088-7
5	15.00	19.43	15.00	22.14	6	2-1445088-6
5	12.00	16.43	12.00	19.14	5	2-1445088-5
5	9.00	13.43	9.00	16.14	4	2-1445088-4
5	6.00	10.43	6.00	13.14	3	2-1445088-3
5	3.00	7.43	3.00	10.14	2	2-1445088-2
2	33.00	37.43	33.00	40.14	12	+1445088-2-
2	30.00	34.43	30.00	37.14	11	+1445088-1-
2	27.00	31.43	27.00	34.14	10	+1445088-0-
2	24.00	28.43	24.00	31.14	9	-1445088-9-
2	21.00	25.43	21.00	28.14	8	-1445088-8-
2	18.00	22.43	18.00	25.14	7	-1445088-7-
2	15.00	19.43	15.00	22.14	6	-1445088-6-
2	12.00	16.43	12.00	19.14	5	-1445088-5-
2	9.00	13.43	9.00	16.14	4	-1445088-4-
2	6.00	10.43	6.00	13.14	3	-1445088-3-
2	3.00	7.43	3.00	10.14	2	-1445088-2-

SUPERCEDED BY 3-1445088-2  
 SUPERCEDED BY 3-1445088-1  
 SUPERCEDED BY 3-1445088-0  
 SUPERCEDED BY 2-1445088-9  
 SUPERCEDED BY 2-1445088-8  
 SUPERCEDED BY 2-1445088-7  
 SUPERCEDED BY 2-1445088-6  
 SUPERCEDED BY 2-1445088-5  
 SUPERCEDED BY 2-1445088-4  
 SUPERCEDED BY 2-1445088-3  
 SUPERCEDED BY 2-1445088-2



PCB LAYOUT COMPONENT SIDE 4

THIS DRAWING IS A CONTROLLED DOCUMENT.		DWN J. ROOT 09OCT2000	TE Connectivity	
DIMENSIONS: mm		CHK K. WHITAKER 17-APR-2001		
TOLERANCES UNLESS OTHERWISE SPECIFIED:		APVD C. JONES 17-APR-2001	NAME RT ANG THRU HOLE HEADER ASSY, 0.38 MIC GOLD CONTACTS W/THRU HOLE, HOLDDOWNS, SGL ROW, MICRO MATE-N-LOK™	
0 PLC ± 1 PLC ± 2 PLC ±0.13 3 PLC ± 4 PLC ±		PRODUCT SPEC 108-1836	SIZE A2	
MATERIAL 1 SEE TABLE		APPLICATION SPEC 114-13000	CAGE CODE 00779	
		WEIGHT -	DRAWING NO C-1445088	
		CUSTOMER DRAWING	RESTRICTED TO -	
		SCALE 5:1	SHEET 1 OF 1	
			REV A3	