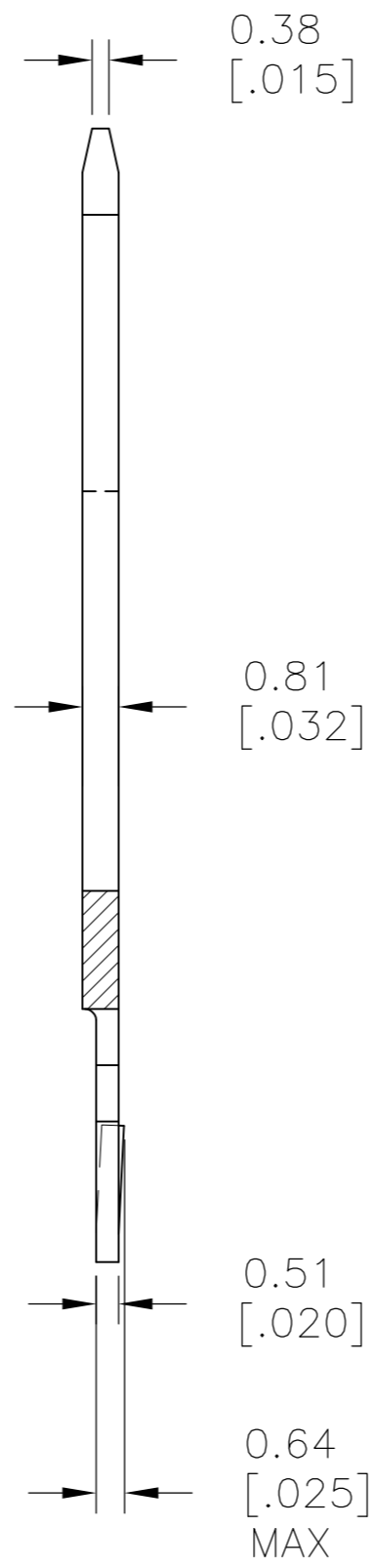
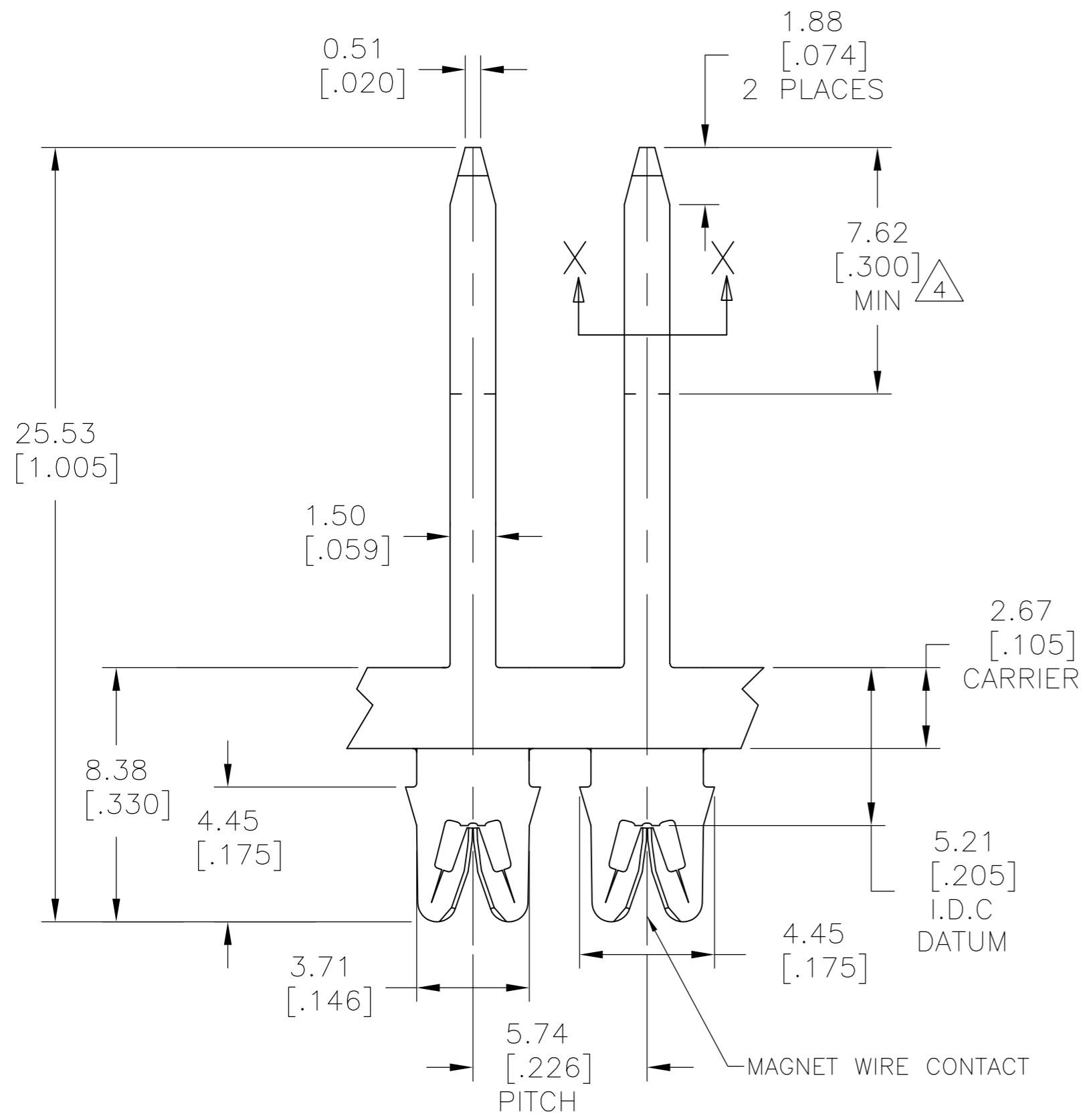
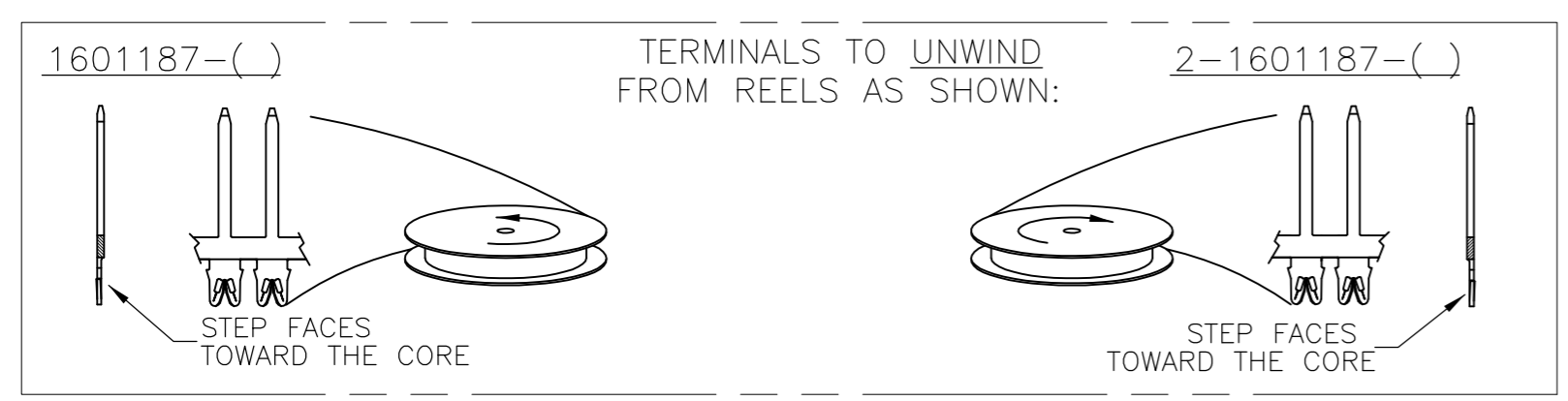
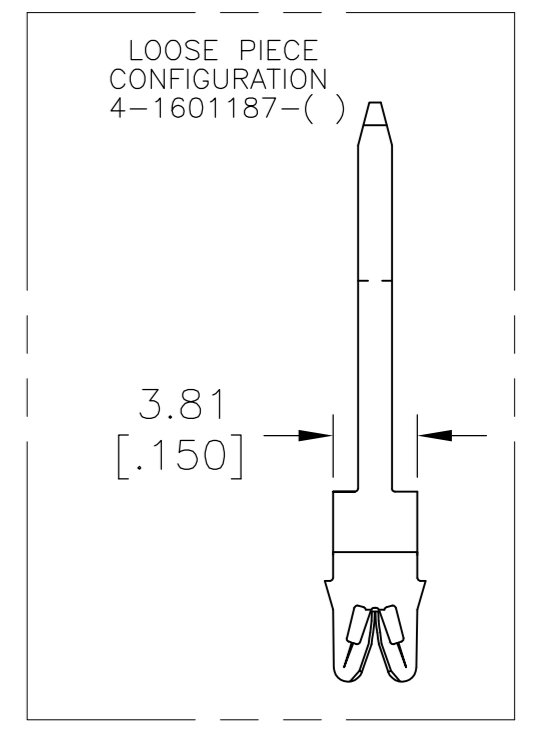
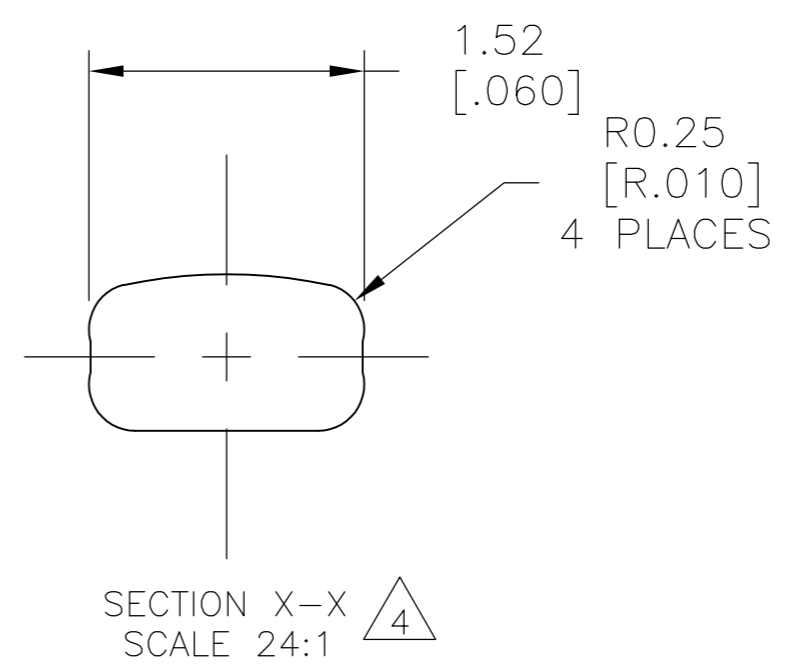


THIS DRAWING IS UNPUBLISHED. RELEASED FOR PUBLICATION
 © COPYRIGHT BY TYCO ELECTRONICS CORPORATION. ALL INTERNATIONAL RIGHTS RESERVED.

LOC	DIST	REVISIONS			
P	LTR	DESCRIPTION	DATE	DWN	APVD
AF	50	C1	REVISED PER ECR-10-006140	08APR10	HMR CJ



- MAGNET WIRE: #18-#34 AWG, 1.02-0.16[.40-.006] DIA COPPER.
- POCKET RECOMMENDATION: 1601431.
- $\triangle 3$ TERMINAL APPLICATION TO COMPLY WITH TYCO ELECTRONICS SPECIFICATION 114-13166 FIGURE 10.
- $\triangle 4$ ROUNDED TAB TO FIT THROUGH 1.60[.063] DIA RING GAGE. WILL NOT PASS THRU 1.50[.059] DIA RING GAGE OVER INDICATED LENGTH.
- TWO (2) TERMINALS SHOWN FOR ILLUSTRATION PURPOSES ONLY.



PRE-TIN PLATE OVER COPPER UNDERPLATE	2-1601187-2
PRE-TIN PLATE OVER COPPER UNDERPLATE	1601187-2
FINISH	PART NUMBER

THIS DRAWING IS A CONTROLLED DOCUMENT.		DWN MICHAEL S. FEHER 06JAN2004	Tyco Electronics Corporation Harrisburg, PA 17105-3608	
DIMENSIONS: mm [INCHES]		CHK GENE JACONO 06JAN2004	NAME PSEUDO ROUND TAB SIAMEZE TERMINAL	
TOLERANCES UNLESS OTHERWISE SPECIFIED:		APVD GENE JACONO 06JAN2004	PRODUCT SPEC 108-2085	
0 PLC ± -		APPLICATION SPEC $\triangle 3$		
1 PLC ± -		SIZE A2		
2 PLC ± 0.13[.005]		CAGE CODE 00779		
3 PLC ± -		DRAWING NO C=1601187		
4 PLC ± -		RESTRICTED TO -		
ANGLES ± 2°		SCALE 6:1		
MATERIAL BRASS, 3/4 HARD	FINISH SEE TABLE	WEIGHT -	SHEET 1 OF 1	REV C1
CUSTOMER DRAWING				

1601187