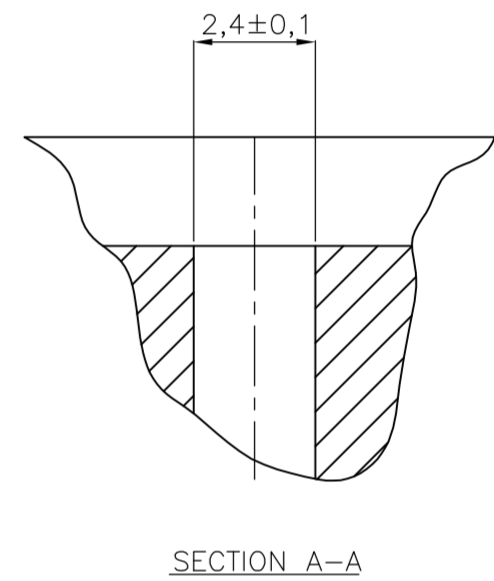
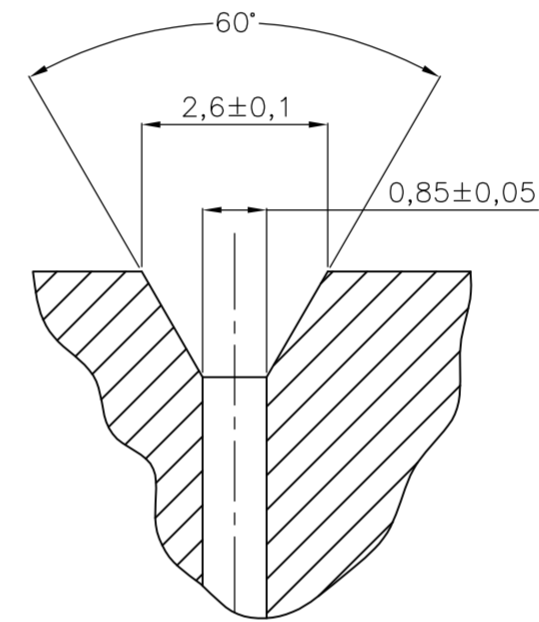
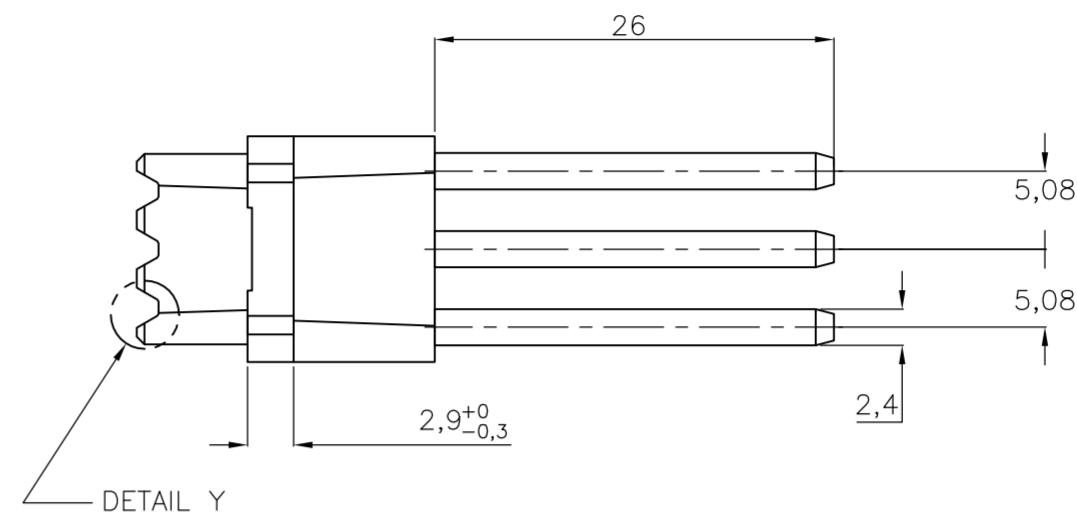
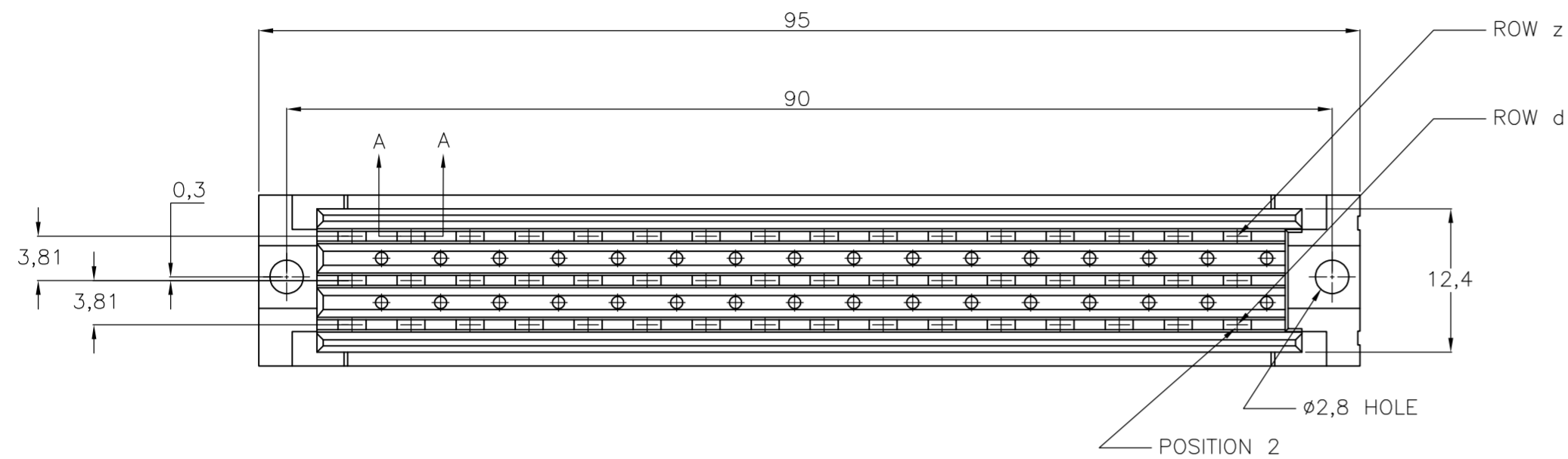


THIS DRAWING IS UNPUBLISHED. RELEASED FOR PUBLICATION
 © COPYRIGHT BY TYCO ELECTRONICS CORPORATION. ALL INTERNATIONAL RIGHTS RESERVED.

LOC	DIST	REVISIONS					
H	-	P	LTR	DESCRIPTION	DATE	DWN	APVD
		A	-		-	-	-
		F		ECR-07-020965	05-02-09	AEG	MKO



D

D

C

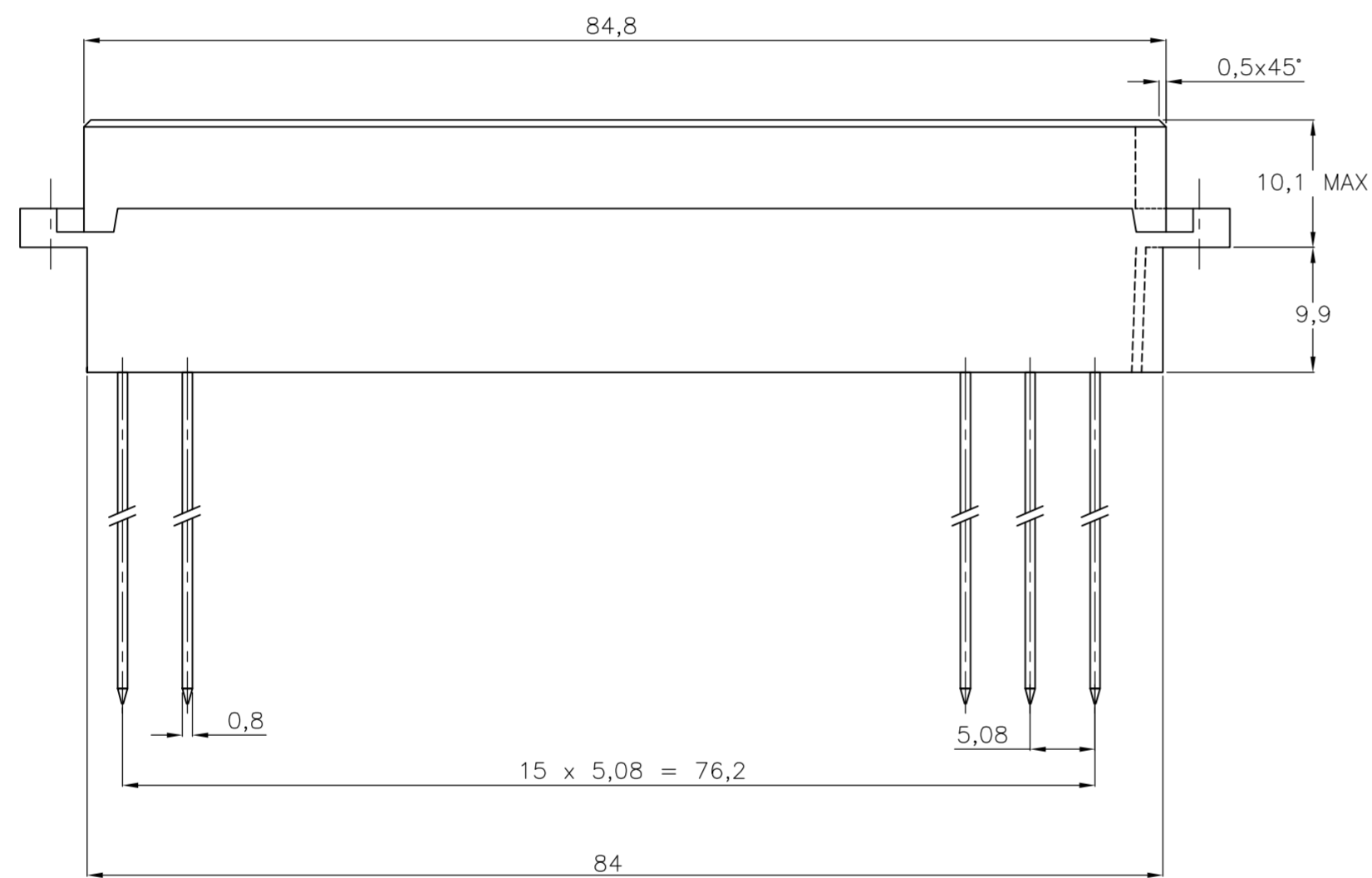
C

B

B

A

A



POS	2	4	6	8	10	12	14	16	18	20	22	24	26	28	30	32
ROW z	X	X	X	X	X	X	X	X	X	X	X	X	X	X	X	X
ROW d	X	X	X	X	X	X	X	X	X	X	X	X	X	X	X	X
ROW b	X	X	X	X	X	X	X	X	X	X	X	X	X	X	X	X

AN ASTERISK X DENOTES A CONTACT.

OBSOLETE	2-166010-8	HOUSING: CLASSIFIED POLYCARBONATE (GREY) CONTACTS: PHOSPHORBRONZE	AT CONTACT AREA 0,4 μm Au OVER 1,25 μm Ni. AT POST AREA GOLDFLASH OVER 1,25 μm Ni.
OBSOLETE	2-166010-7		AT CONTACT AREA 2,0 μm Au OVER 1,25 μm Ni. AT POST AREA GOLDFLASH OVER 1,25 μm Ni.
OBSOLETE	2-166010-6		AT CONTACT AREA 3,75 μm Au OVER 1,25 μm Ni. AT POST AREA GOLDFLASH OVER 1,25 μm Ni.
OBSOLETE	2-166010-4		AT CONTACT AREA 0,8 μm Au OVER 1,25 μm Ni. AT POST AREA GOLDFLASH OVER 1,25 μm Ni.
	2-166010-1		AT CONTACT AREA 1,25 μm Au OVER 1,25 μm Ni. AT POST AREA GOLDFLASH OVER 1,25 μm Ni.
	ORDER No.	MATERIAL	PLATING

THIS DRAWING IS A CONTROLLED DOCUMENT.		DWN A.J.L. AMBAUM 25.08.95	Tyco Electronics Corporation 's-Hertogenbosch, Nederland	
DIMENSIONS: INCHES		CHK J.GIBBELS	NAME	
TOLERANCES UNLESS OTHERWISE SPECIFIED:		APVD	48 POS. FEMALE RC CONN. ACC. TO DIN 41612, F.48F-CIM WITH MAXI TERMI POINT POSTS	
0 PLC ± - 1 PLC ± - 2 PLC ± - 3 PLC ± - 4 PLC ± - ANGLES ± -		PRODUCT SPEC	SIZE	RESTRICTED TO
MATERIAL		APPLICATION SPEC	CAGE CODE	DRAWING NO
FINISH		WEIGHT	A2 00779	166010
CUSTOMER DRAWING			SCALE	SHEET
			NTS	1 of 1
			REV	F