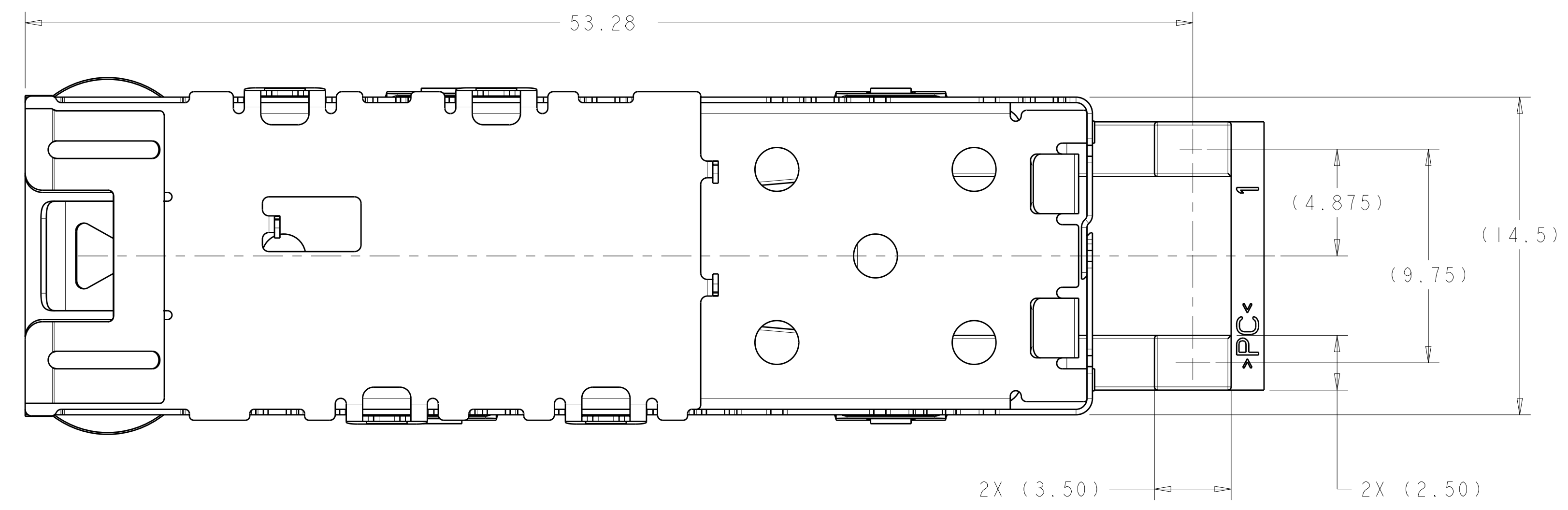
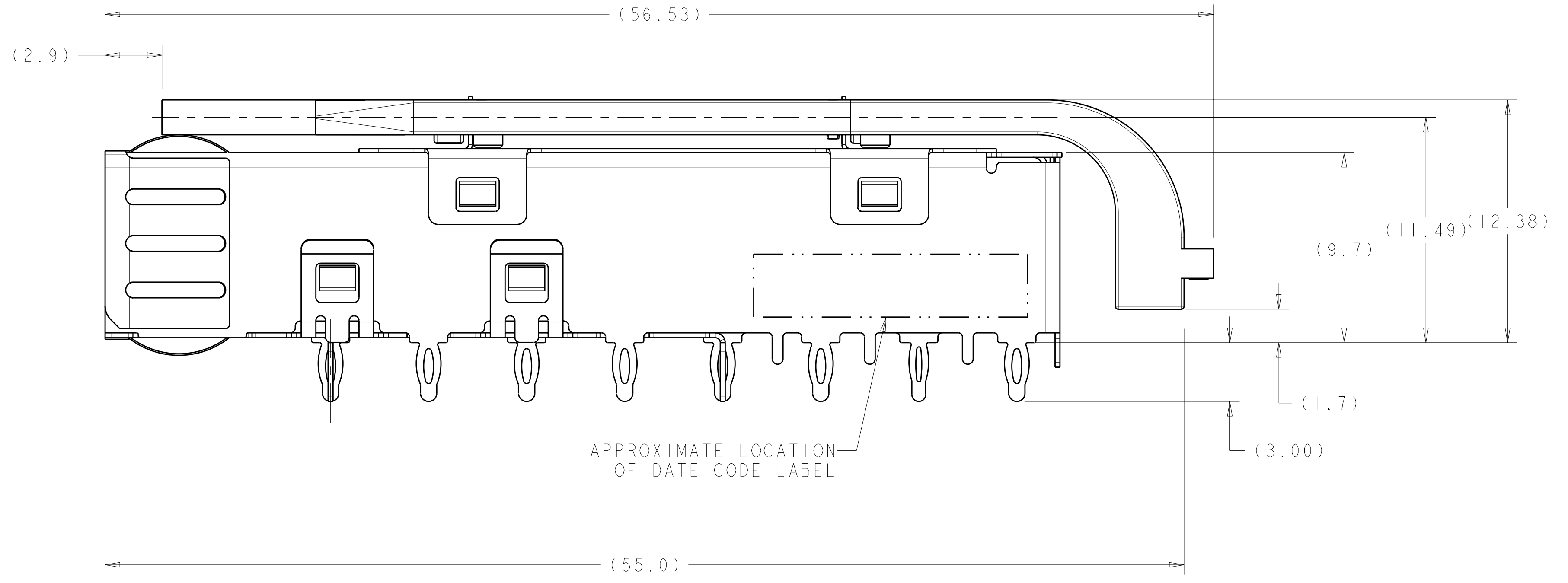
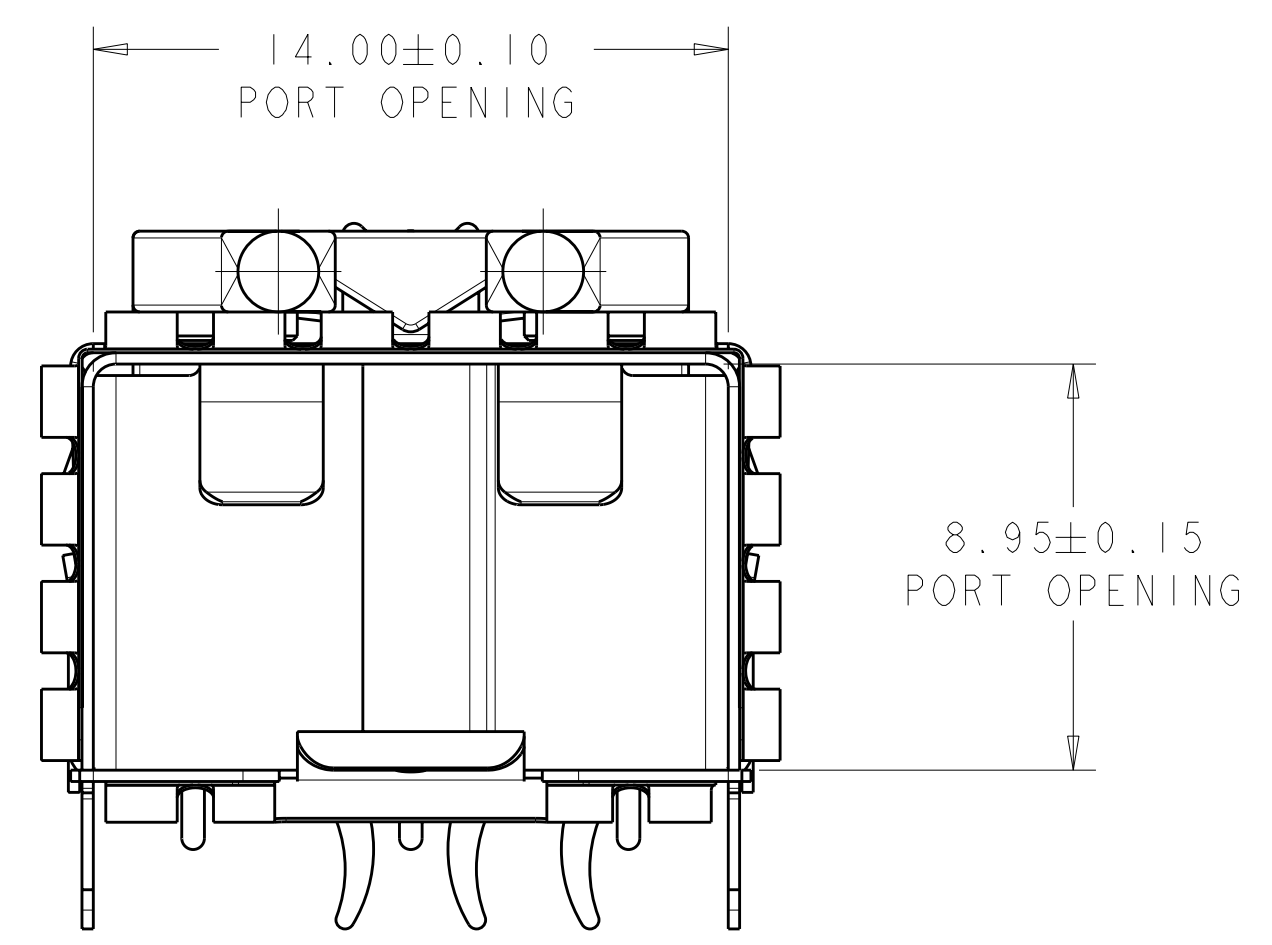
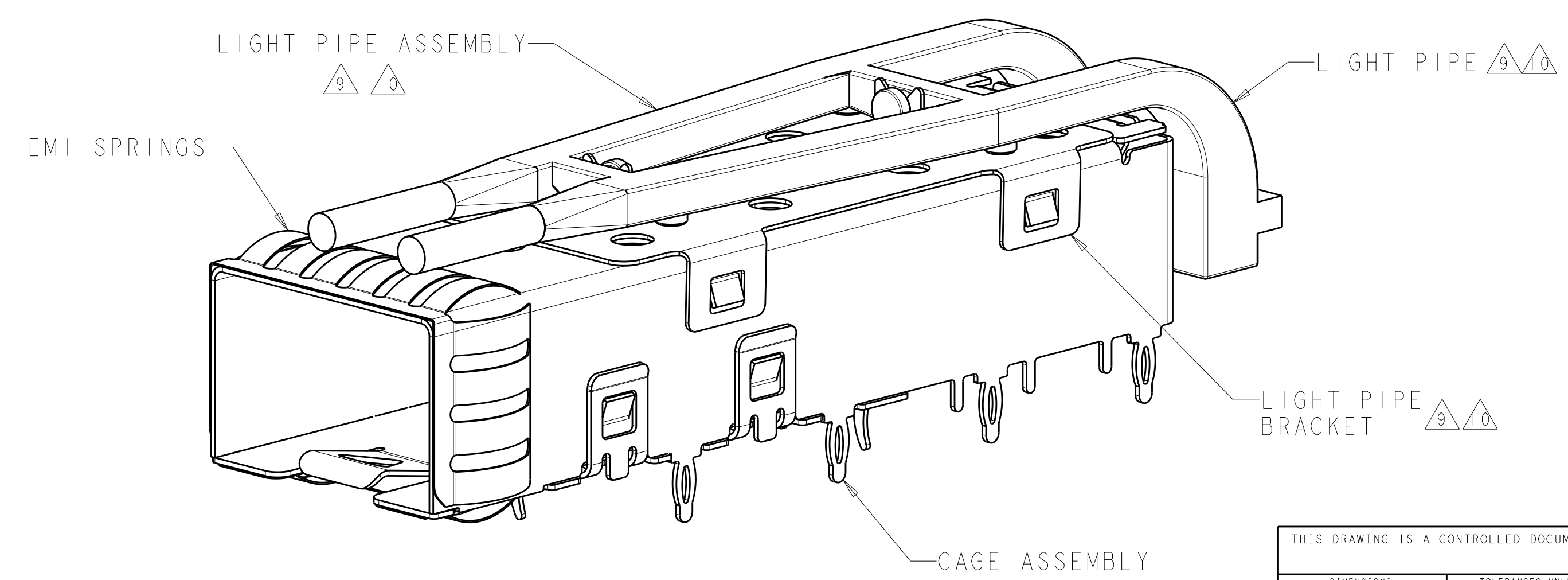


LOC	DIST	REV	DATE	BY	APPV
GP	00	1	18NOV2011	JY	AC
		2	28NOV2011	JY	AC



- 1 MATERIAL:
 CAGE ASSEMBLY - 0.25 THICK NICKEL-SILVER ALLOY.
 EMI SPRINGS - COPPER ALLOY.
 LIGHT PIPE - POLYCARBONATE, CLEAR.
 LIGHT PIPE BRACKET - STAINLESS STEEL.
- 2 FINISH:
 EMI SPRINGS - 0.8um MIN MATTE TIN OVER 0.8um MIN NICKEL
 NON-PLATED EDGES PERMISSIBLE.
- 3. MATES WITH SFP MSA COMPLIANT TRANSCEIVERS.
- 4 PADS AND VIAS CHASSIS GROUND.
- 5 DATUM AND BASIC DIMENSION ESTABLISHED BY CUSTOMER.
- 6. MINIMUM PC BOARD THICKNESS:
 SINGLE SIDED: 1.50mm
 DOUBLE SIDED: 3.00mm
- 7 REFERENCE APPLICATION SPEC. 114-13120, HOLE A, FOR
 RECOMMENDED DRILL HOLE DIAMETER AND PLATING THICKNESS.
- 8 REFERENCE APPLICATION SPEC. 114-13120, HOLE C, FOR
 RECOMMENDED DRILL HOLE DIAMETER AND PLATING THICKNESS.
 INTO PCB PRIOR TO ATTACHING THE LIGHTPIPE ASSEMBLY
 TO THE CAGE.
- 9 LIGHT PIPE ASSEMBLY SHIPPED UNASSEMBLED TO CAGE ASSEMBLY.
 CAGE ASSEMBLY TO BE PRESSED INTO PCB PRIOR TO ATTACHING
 THE LIGHT PIPE ASSEMBLY TO THE CAGE.
- 10 LIGHT PIPE AND LIGHT PIPE BRACKET SHIPPED ASSEMBLED.



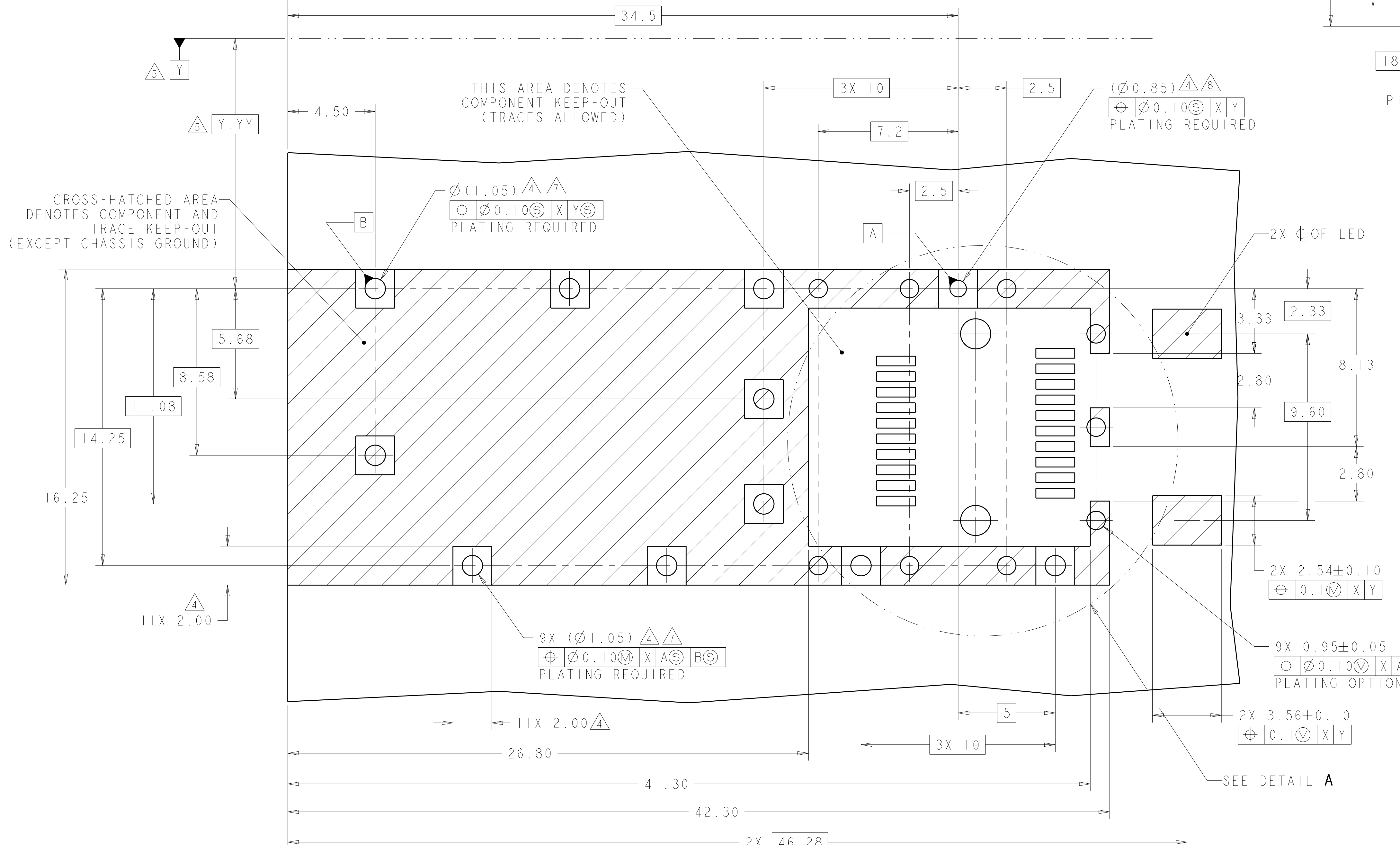
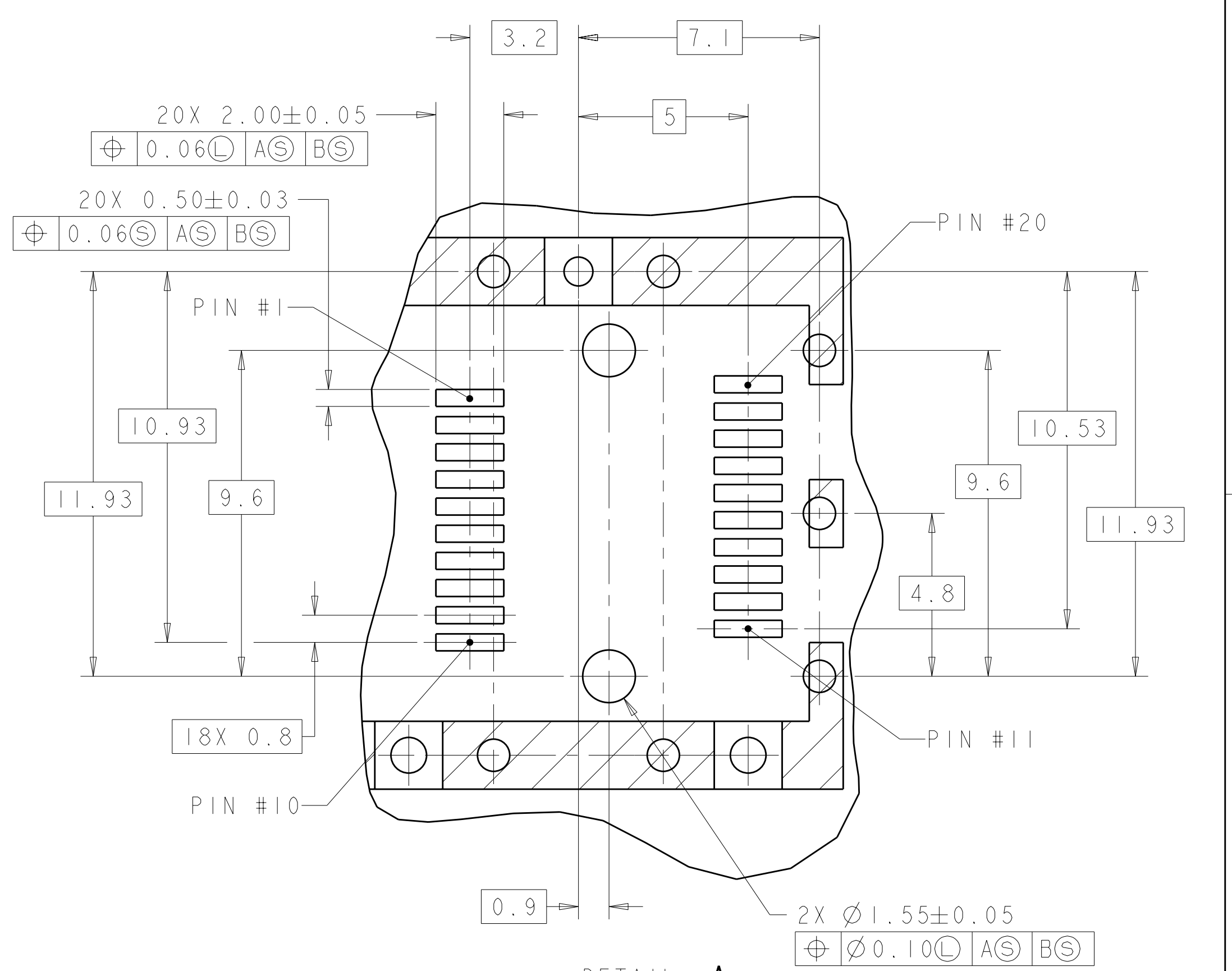
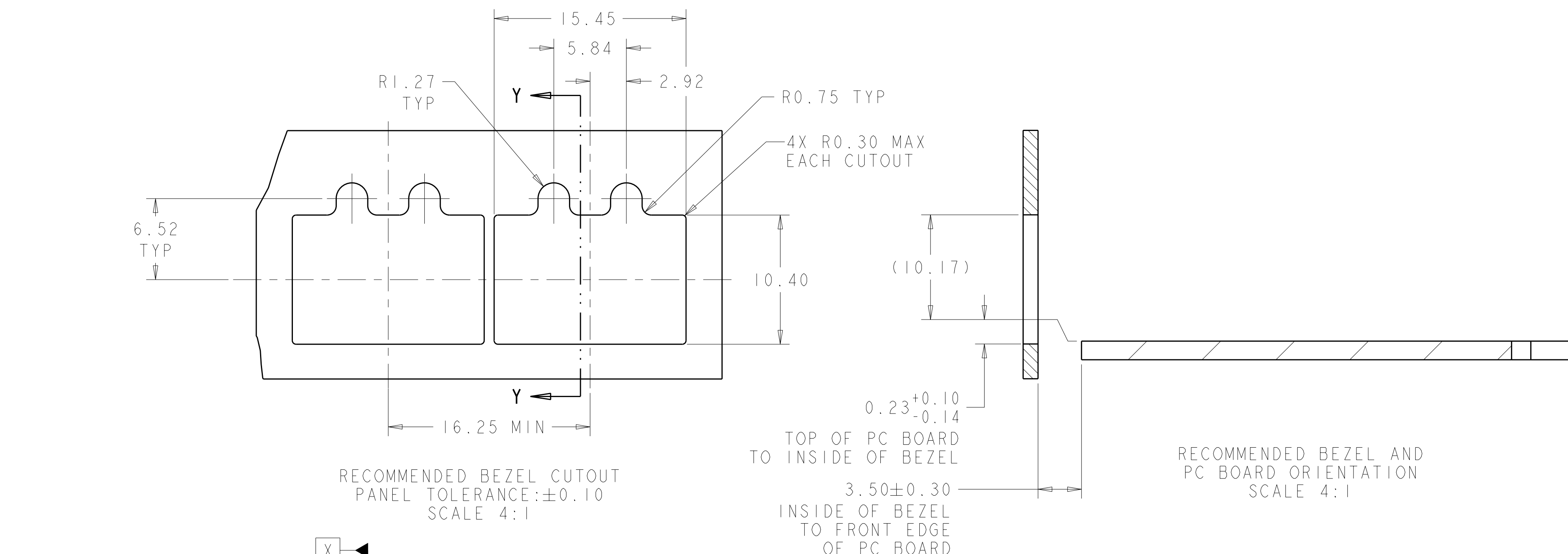
DESIGN APPROVED THIS PRINT IS
PRELIMINARY
 TO FIRST PIECE APPROVAL
 CONTACT PRODUCT ENGINEERING
 BEFORE USING THIS PRINT

2170193-1
 PART
 NUMBER

2170193-1
 SHOWN ASSEMBLED
 SCALE 5:1

THIS DRAWING IS A CONTROLLED DOCUMENT.		DWN: JASON YANG 18NOV2011	APV: AILEY CAI 18NOV2011
DIMENSIONS: mm		PRODUCT SPEC: 108-2364	APPLICATION SPEC: 114-13120
TOLERANCES UNLESS OTHERWISE SPECIFIED:		SIZE: A100779	CAGE CODE: C=2170193
9 PLC ±0.2	1 PLC ±0.2	2 PLC ±0.2	3 PLC ±0.2
4 PLC ±	ANGLES ±	FINISH	
MATERIAL		CUSTOMER DRAWING	
SCALE: 3:1		SHEET 1 OF 2	
REV 2			

LOC	DIST	REVISIONS			
GP	00	REV	DATE	BY	APPV
		1			
		2			
		3			



THIS DRAWING IS A CONTROLLED DOCUMENT.		DW	JASON YANG	18NOV2011
DIMENSIONS: mm		CHK	ALEX CAI	18NOV2011
TOLERANCES UNLESS OTHERWISE SPECIFIED:		APPV	ALEX CAI	18NOV2011
Ø	9 PLC ±0.2	NAME		
PLC	1 PLC ±0.2	SFP+ 1X1 CAGE ASSEMBLY		
PLC	3 PLC ±0.2	PRESS-FIT, EXTERNAL EMI SPRINGS,		
PLC	5 PLC ±	WITH LIGHT PIPES		
PLC	4 PLC ±	SIZE CAGE CODE DRAWING NO. RESTRICTED TO		
ANGLES	±	A100779C=2170193		
MATERIAL	FINISH	WEIGHT		
		CUSTOMER DRAWING		
		SCALE 3:1 SHEET 2 OF 2 REV 2		