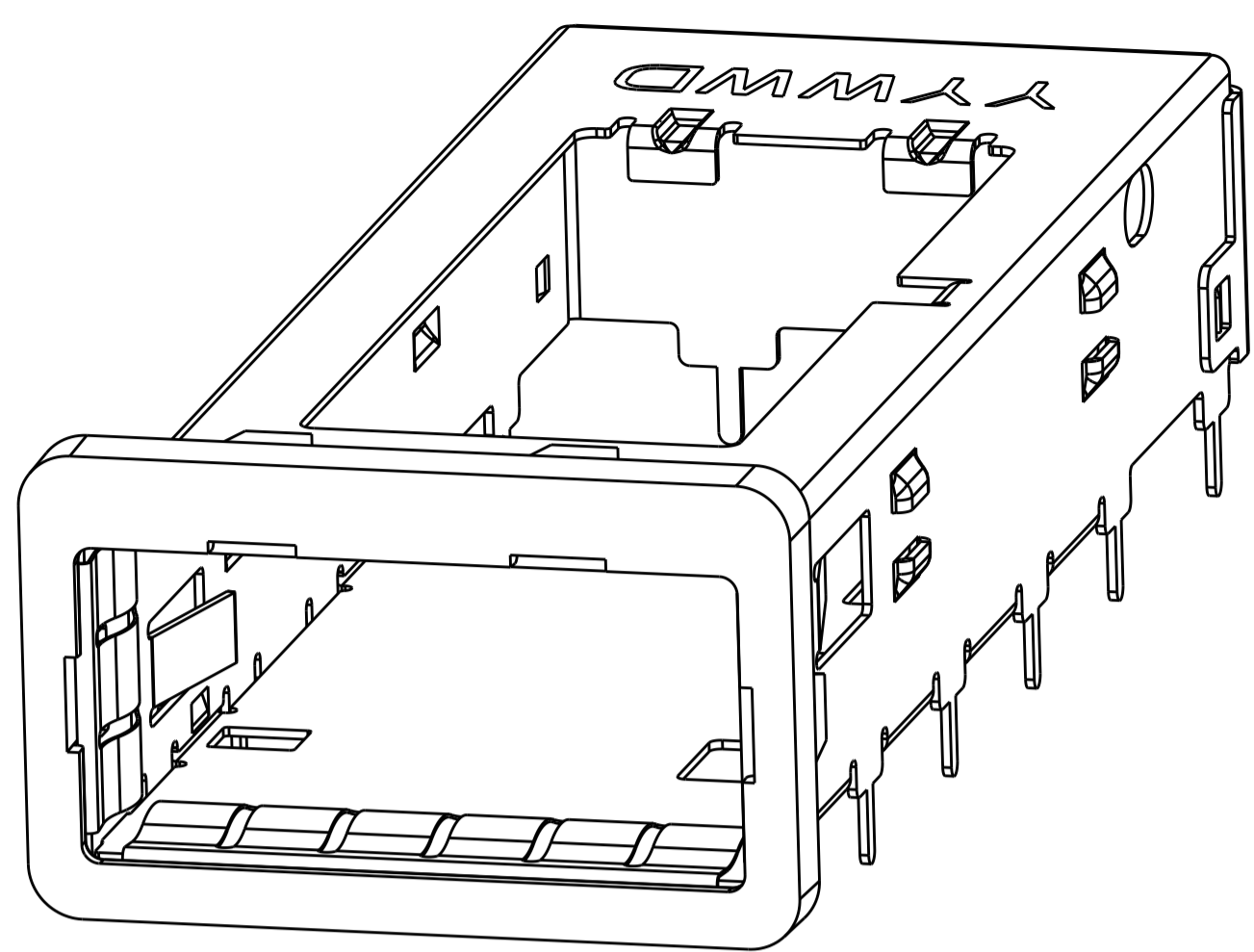
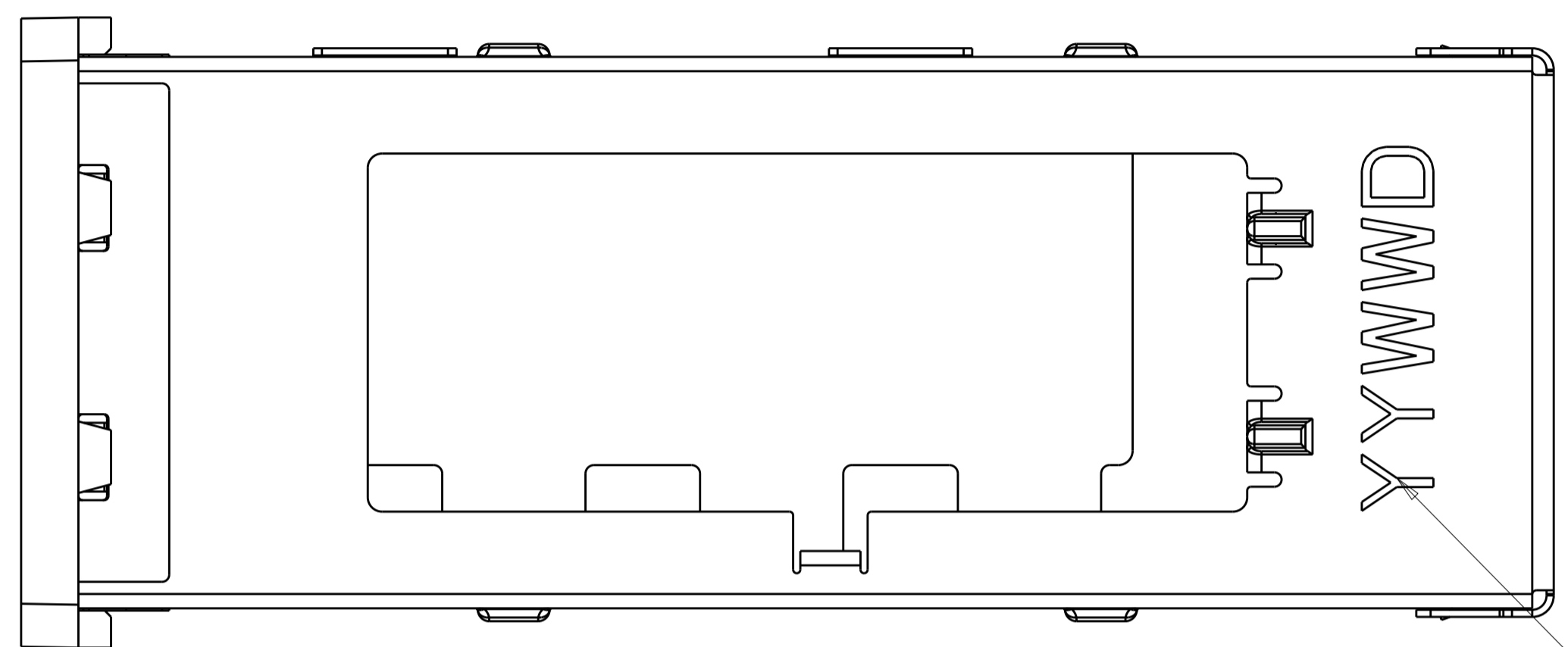


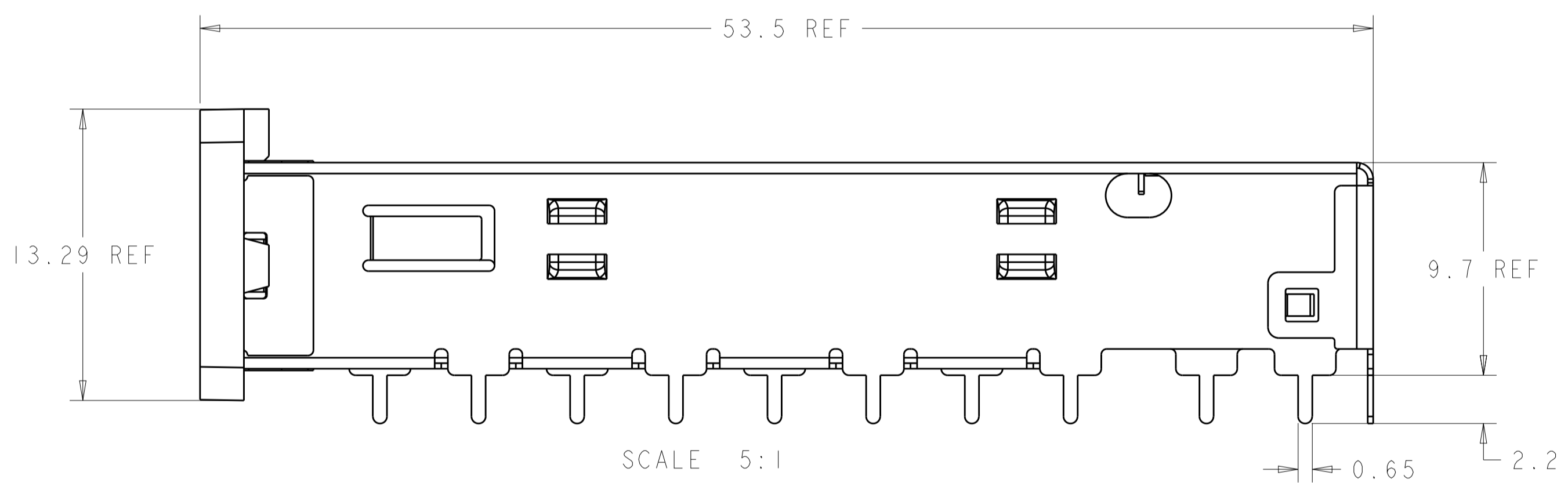
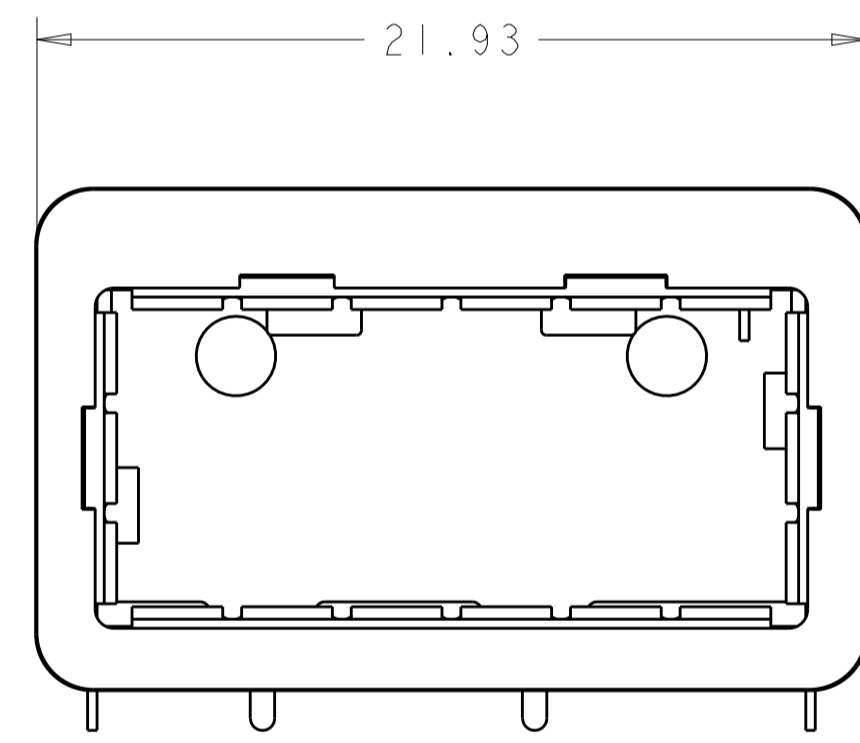
REVISIONS				
P.	LTN	DESCRIPTION	DATE	APPR
1		INITIAL RELEASE	13SEP2013	RG AC
2		REVISED PER ECO-14-018993	2APR2015	RG MC



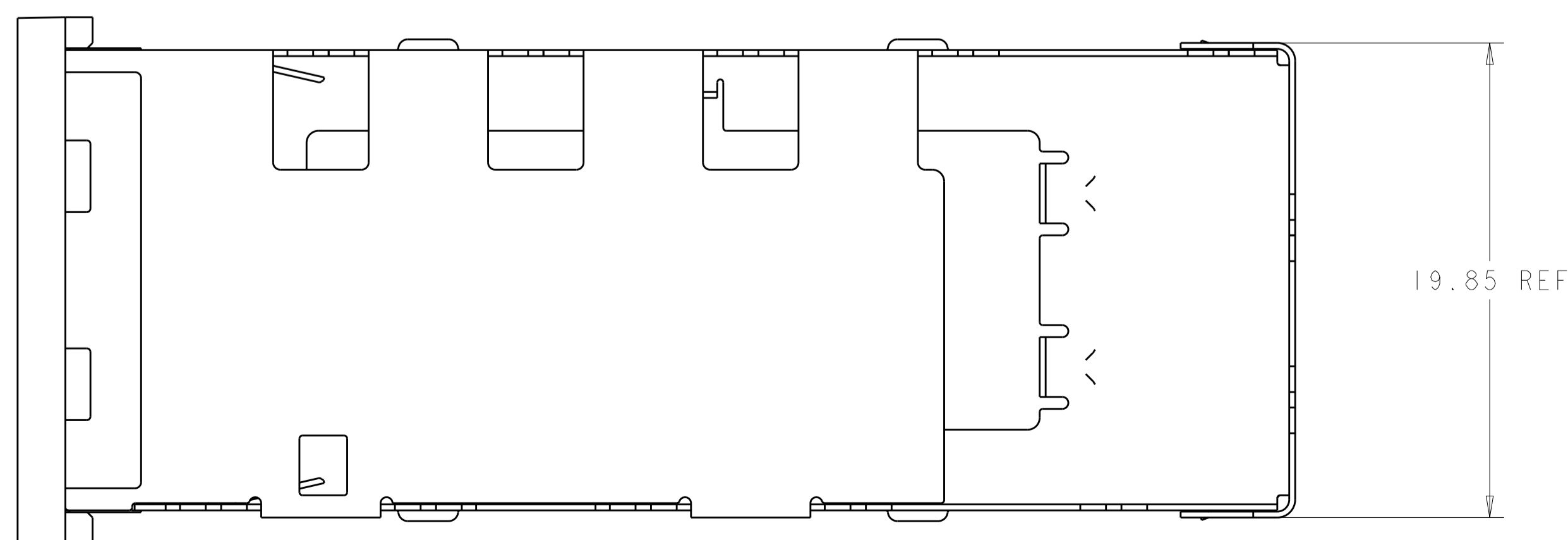
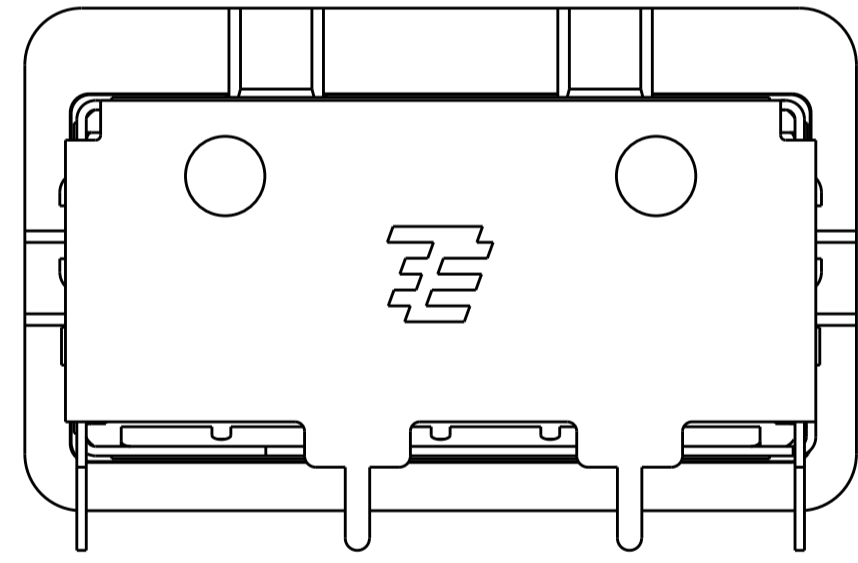
ISOMETRIC VIEW  
SCALE 5:1



- 1 SURFACE TRACES PERMITTED WITHIN THIS LENGTH EXCEPT WHERE CAGE STANDOFFS, SHOWN IN DETAIL J, CONTACT PC BOARD.
- 2 MINIMUM PITCH DIMENSION.
- 3. MATES WITH QSFP MSA COMPATIBLE TRANSCEIVER.
- 4 REFERENCE APPLICATION SPEC 114-13218 FOR RECOMMENDED DRILL HOLE DIAMETER AND PLATING THICKNESS.
- 5 DATUM AND BASIC DIMENSIONS ESTABLISHED BY CUSTOMERS.
- 6 DIMENSION C IS THE NOMINAL THICKNESS OF CUSTOMER SUPPLIED PC BOARD, SINGLE SIDED PC BOARD MINIMUM THICKNESS: 1.45
- 7 DATUM -A- IS TOP SURFACE OF THE HOST BOARD.
- 8 DATE CODE (YYWWD) MARKED APPROXIMATELY AS SHOWN.
- 9 CAGE MATERIAL: 0.25 THICK COPPER ALLOY  
EMI SPRING MATERIAL: COPPER ALLOY  
FRONT FLANGE MATERIAL: ZINC ALLOY.
- 10 EMI SPRING FINISH: 2µm TIN  
FRONT FLANGE FINISH: 3µm MIN THICK TIN OVER 1.27µm MIN THICK NICKEL OVER 5.08µm MIN THICK COPPER.



SCALE 5:1

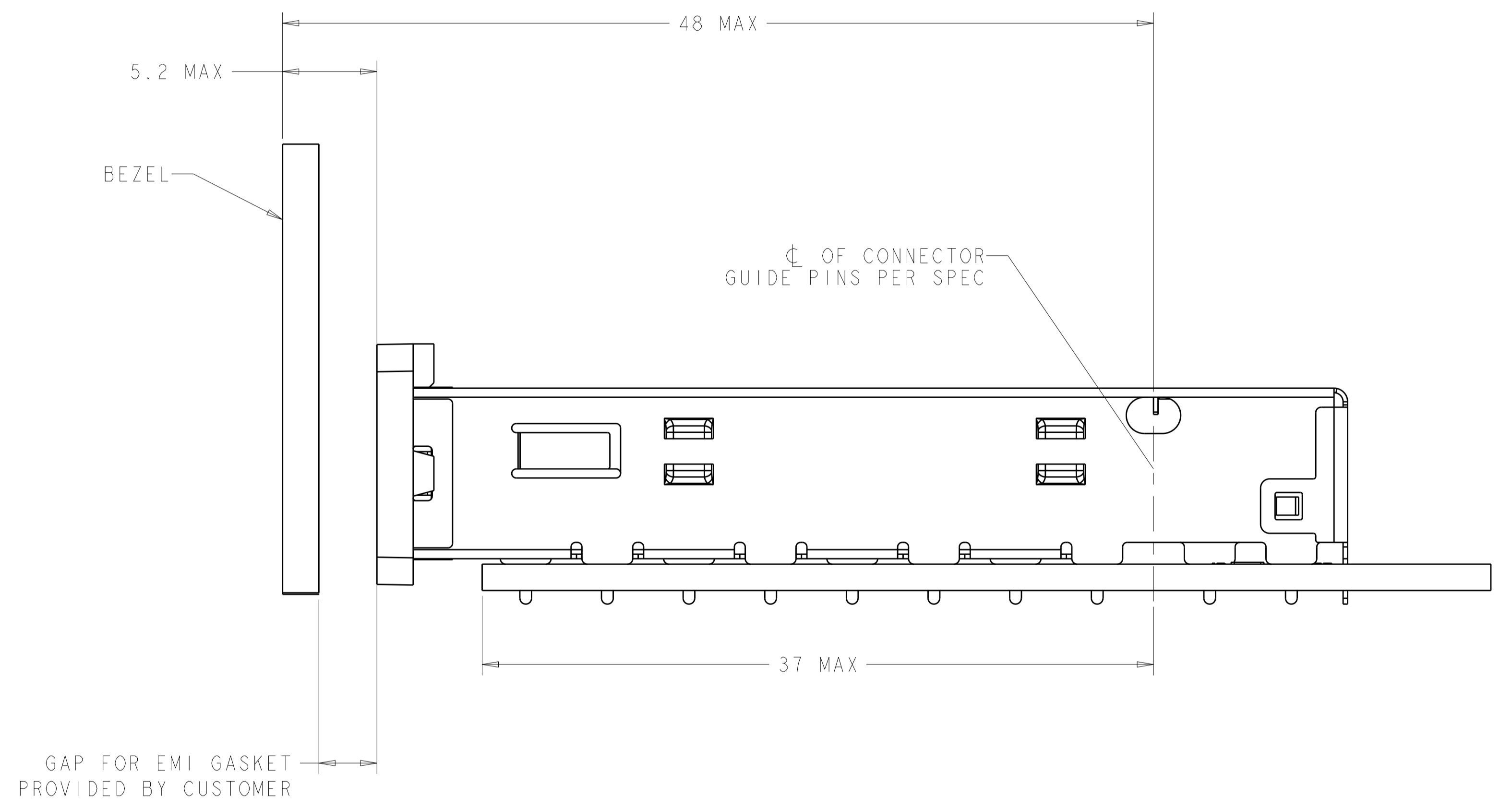
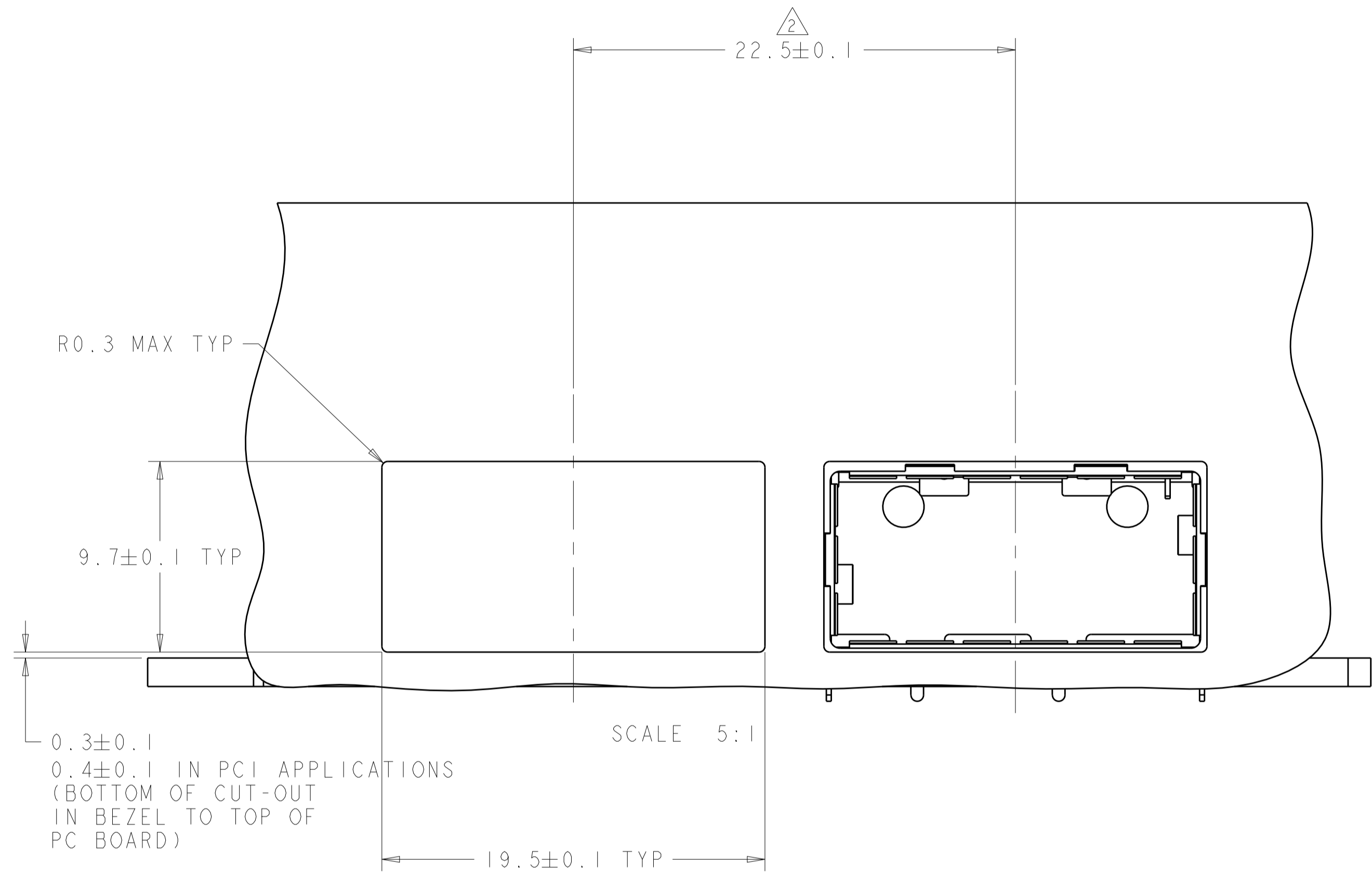


19.85 REF

2170396-1  
PART NUMBER

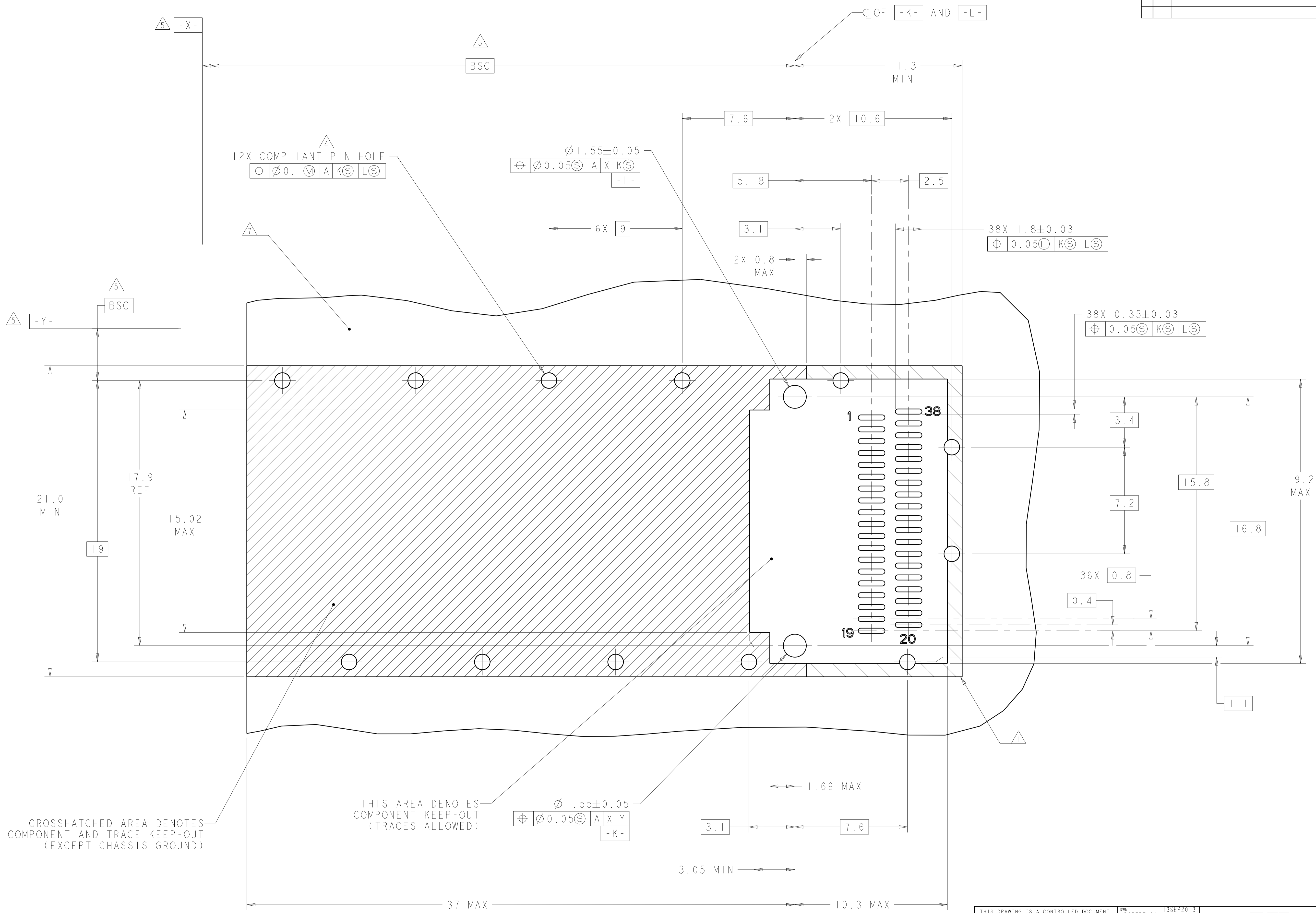
THIS DRAWING IS A CONTROLLED DOCUMENT.		OWN: ROBERT GAN 13SEP2013		
DIMENSIONS:		CHK: JASON YANG 13SEP2013	<b>PRELIMINARY</b>	
TOLERANCES UNLESS OTHERWISE SPECIFIED:		APPR: AILEY CAI 13SEP2013	NAME: CAGE ASSEMBLY, BEZEL, QSFP	
mm	0 PLC ±0.5	PRODUCT SPEC	SIZE: CAGE CODE DRAWING NO	
	1 PLC ±0.13	108-2286	RESTRICTED TO	
	2 PLC ±0.13	APPLICATION SPEC	A100779C=2170396	
	3 PLC ±0.013	114-13218	SCALE 2:1 SHEET 1 OF 3 REV 2	
	4 PLC ±0.001	WEIGHT	Customer Drawing	
	ANGLES ±0.001	FINISH		

REVISIONS				
P.	LTN	DESCRIPTION	DATE	APVD
-	-	SEE SHEET 1	-	-



THIS DRAWING IS A CONTROLLED DOCUMENT.		OWN: ROBERT GAN 13SEP2013	TE Connectivity
DIMENSIONS: mm		CHK: JASON YANG 13SEP2013	
TOLERANCES UNLESS OTHERWISE SPECIFIED:		APVD: AILEY CAI 13SEP2013	NAME: CAGE ASSEMBLY, BEHIND BEZEL, QSFP
0 PLC $\pm$	1 PLC $\pm 0.5$	PRODUCT SPEC	SIZE: -
2 PLC $\pm 0.13$	3 PLC $\pm 0.013$	APPLICATION SPEC	CAGE CODE: -
4 PLC $\pm 0.0001$	ANGLES $\pm$	114-13218	DRAWING NO: A100779
MATERIAL: -	FINISH: -	WEIGHT: -	DRAWING NO: C=2170396
Customer Drawing		SCALE: 2:1	SHEET 2 OF 3
		REV: 2	

REVISIONS				
P.	LTN.	DESCRIPTION	DATE	APVD.
-	-	SEE SHEET 1	-	-



CROSSHATCHED AREA DENOTES COMPONENT AND TRACE KEEP-OUT (EXCEPT CHASSIS GROUND)

THIS AREA DENOTES COMPONENT KEEP-OUT (TRACES ALLOWED)

RECOMMENDED SINGLE-SIDE PC BOARD LAYOUT  
 SCALE 8:1

THIS DRAWING IS A CONTROLLED DOCUMENT.		DWN: ROBERT GAN 13SEP2013 CHK: JASON YANG 13SEP2013 APVD: AILEY CAI 13SEP2013		NAME: CAGE ASSEMBLY, BEHIND BEZEL, QSFP	
DIMENSIONS: mm		TOLERANCES UNLESS OTHERWISE SPECIFIED:		PRODUCT SPEC: 108-2286	
		0 PLC ±0.5 2 PLC ±0.13 3 PLC ±0.013 4 PLC ±0.001 ANGLES ±0.001		APPLICATION SPEC: 114-13218	
MATERIAL: -		FINISH: -		WEIGHT: -	
Customer Drawing		SCALE: 2:1		SHEET 3 OF 3 REV 2	