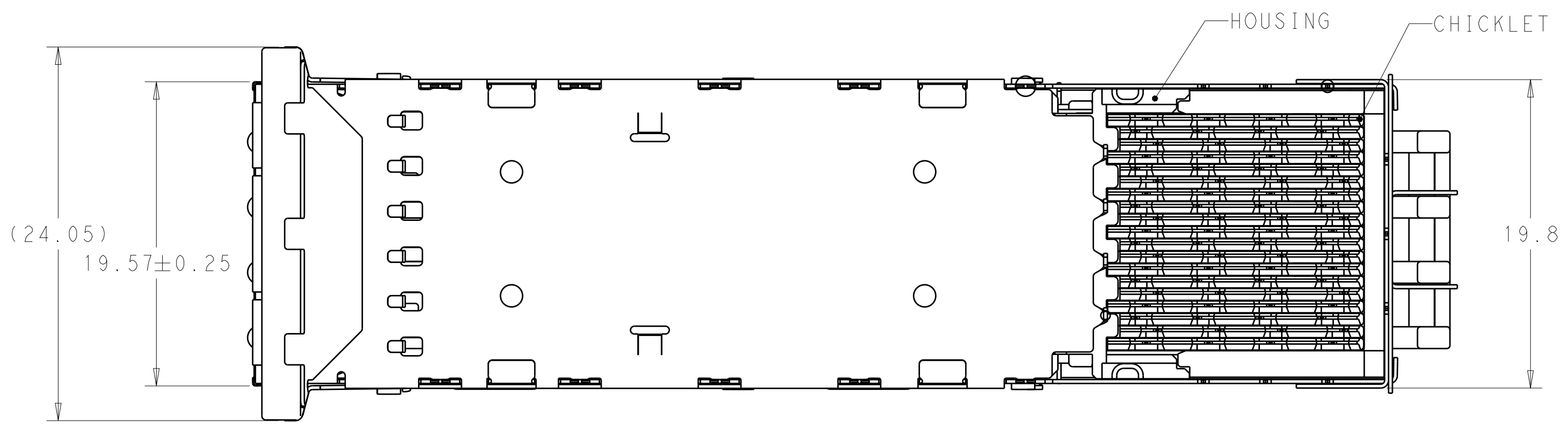
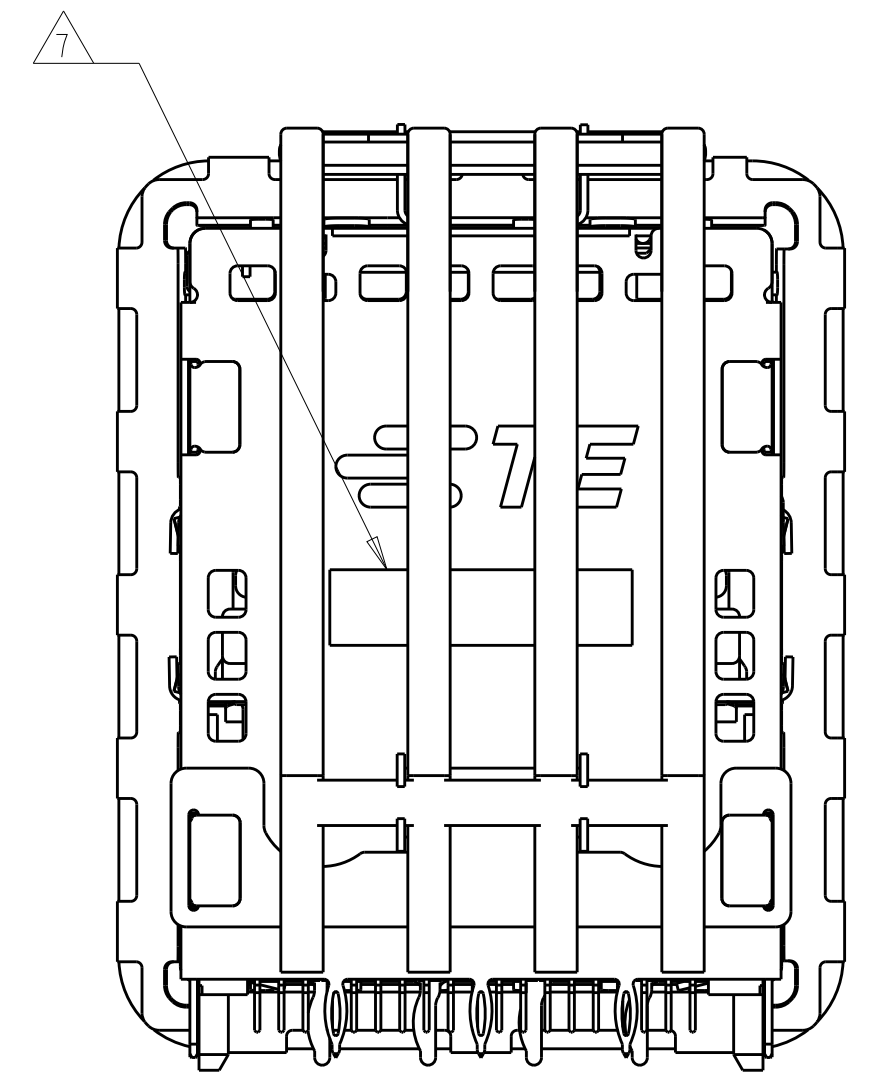
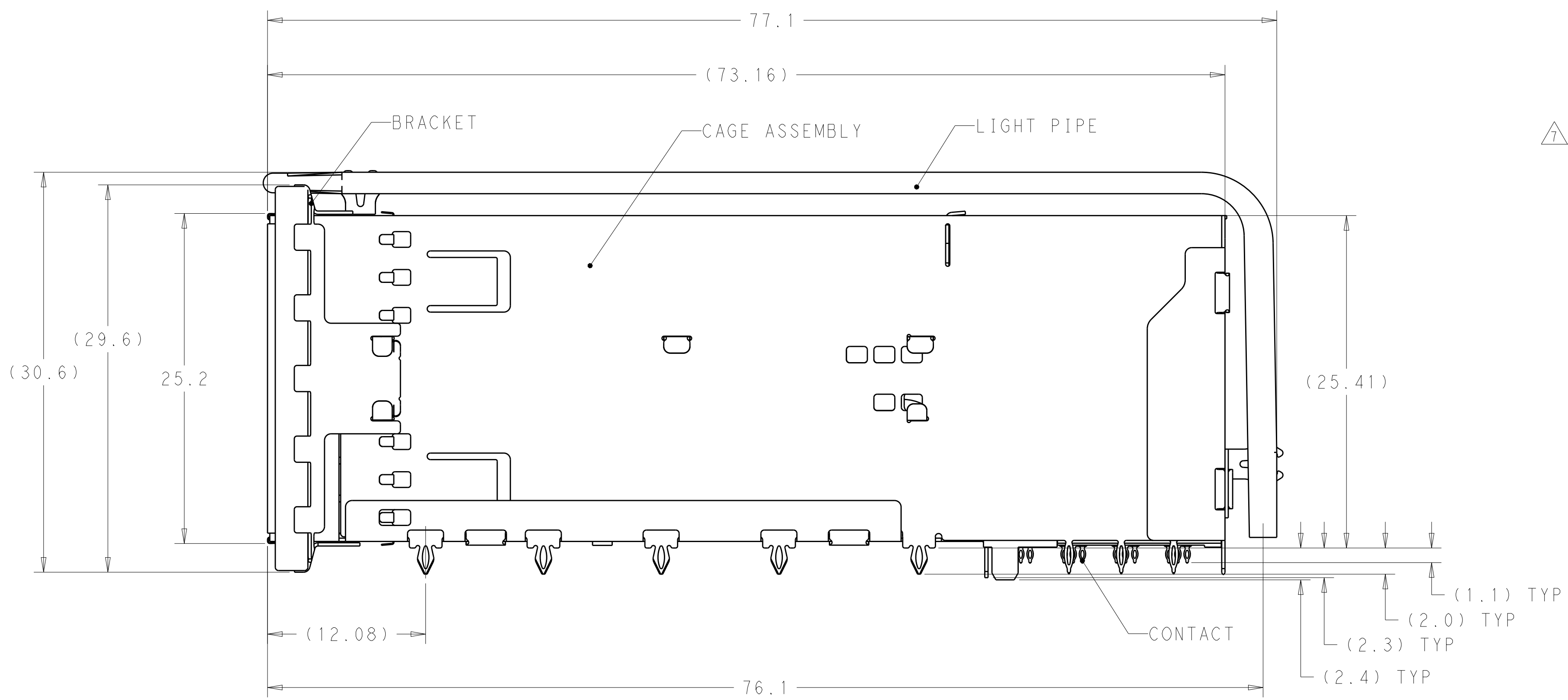
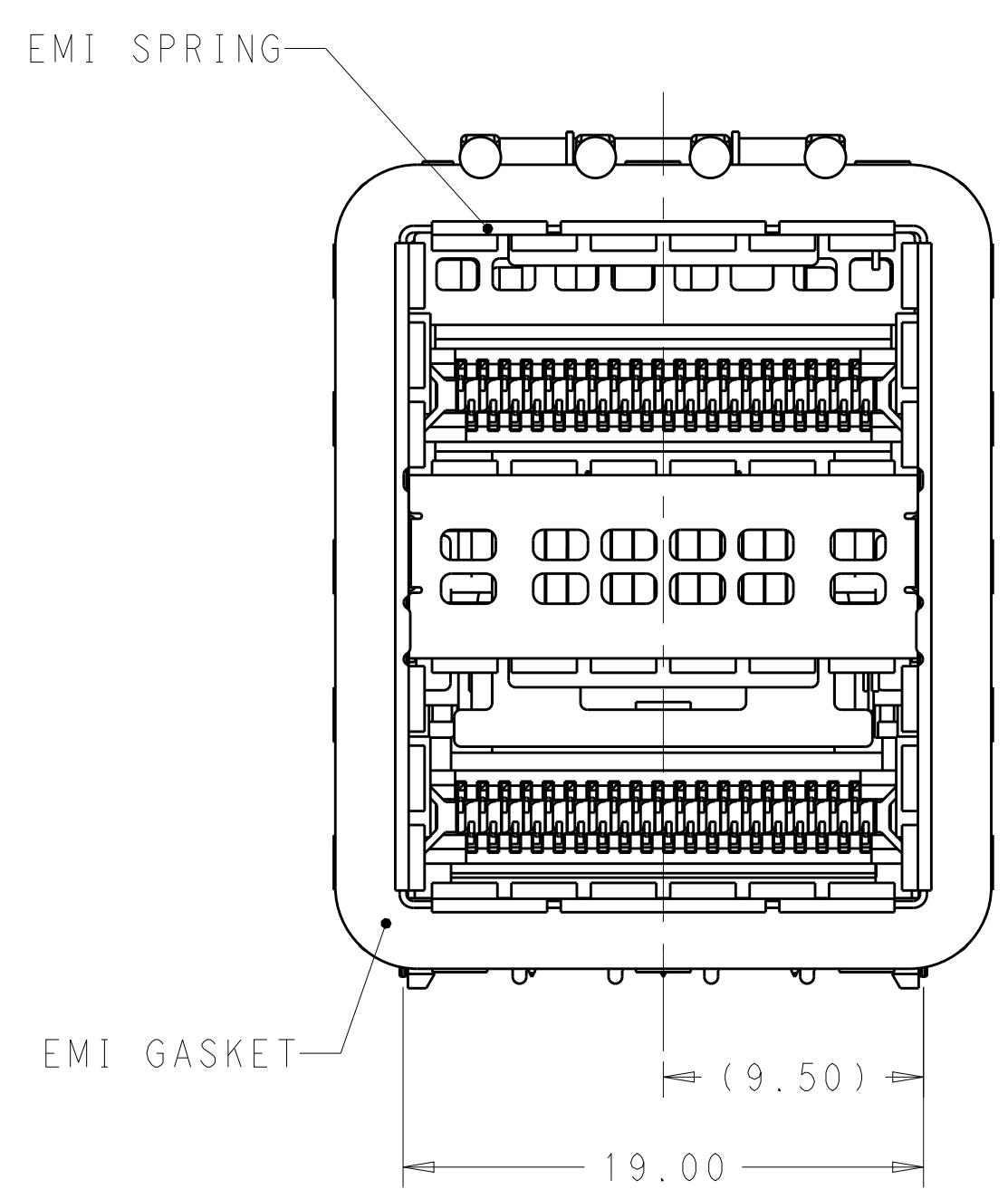


REVISIONS				
P.	LTN	DESCRIPTION	DATE	OWN APVD
1		INITIAL RELEASED	17OCT13	KD JY
2		REVISED TABS BENDED DIRECTION PER ACTUAL	30MAR2015	TX JY



1. MATERIALS:  
 CAGE ASSEMBLY- NICKEL SILVER ALLOY PER ASTM B 122.  
 BRACKET- STAINLESS STEEL.  
 EMI SPRING- COPPER ALLOY, NICKEL PLATED.  
 EMI GASKET- PLATED FILLED SILICONE WITH 94V-0.  
 HOUSING- POLYESTER LCP WITH 94V-0.  
 CHICKLET- POLYESTER LCP WITH 94V-0.  
 CONTACT- COPPER ALLOY.  
 LIGHTPIPE- POLYCARBONATE WITH 94V-0.

- 2 CONTACT FINISH: 0.76µm GOLD ON MATING END, 1.25µm MATT TIN ON SOLDER TAIL, ALL OVER 1.27µm NICKEL.  
 3 DATUM AND BASIC DIMENSION ESTABLISHED BY CUSTOMER.  
 4. MINIMUM PCB THICKNESS: 1.57mm.  
 5 THE ENTIRE AREA OF THE CONNECTOR FOOTPRINT, INDICATED BY THE DASHED LINE, TO BE CONSIDERED THE KEEPOUT AREA FOR COMPONENTS.  
 6 CROSS-HATCHED AREAS REPRESENT ZONES ON THE PCB THAT COME IN CONTACT WITH OR BE IN CLOSE PROXIMITY TO THE PLASTIC HOUSING OR THE CONNECTOR CAGE. INDICATED AREAS TO BE CONSIDERED TRACE FREE.  
 7 PART NUMBER AND DATE CODE MARKED IN APPROXIMATE AREA SHOWN.  
 8 HATCHED AREA IS PLACEMENT ZONE FOR LED. LED SHOULD BE CENTERED WITHIN ZONE. RECOMMEND 0805 PACKAGE.  
 9 CONTACT FINISH: 0.08µm MINIMUM GOLD OVER 0.68µm PALLADIUM-NICKEL ON MATING END, 1.25µm MATT TIN ON SOLDER TAIL, ALL OVER 1.27µm NICKEL.

**PRELIMINARY - NOT RELEASED FOR PRODUCTION**

**THIS PRODUCT HAS NOT COMPLETED VALIDATION AND QUALIFICATION TESTING**

CONTACT FINISHED	DESCRIPTION	PART NUMBER
9	Pd-Ni PLATING	2170608-2
2	Au PLATING	2170608-1

THIS DRAWING IS A CONTROLLED DOCUMENT. DWG: HEVIN DING 17OCT13  
 CHK: JASON YANG 17OCT13  
 APVD: JASON YANG 17OCT13

DIMENSIONS: mm  
 TOLERANCES UNLESS OTHERWISE SPECIFIED:  
 0 PLC ±0.25  
 1 PLC ±0.15  
 2 PLC ±0.15  
 3 PLC ±0.013  
 4 PLC ±0.0001  
 ANGLES ±0.7°

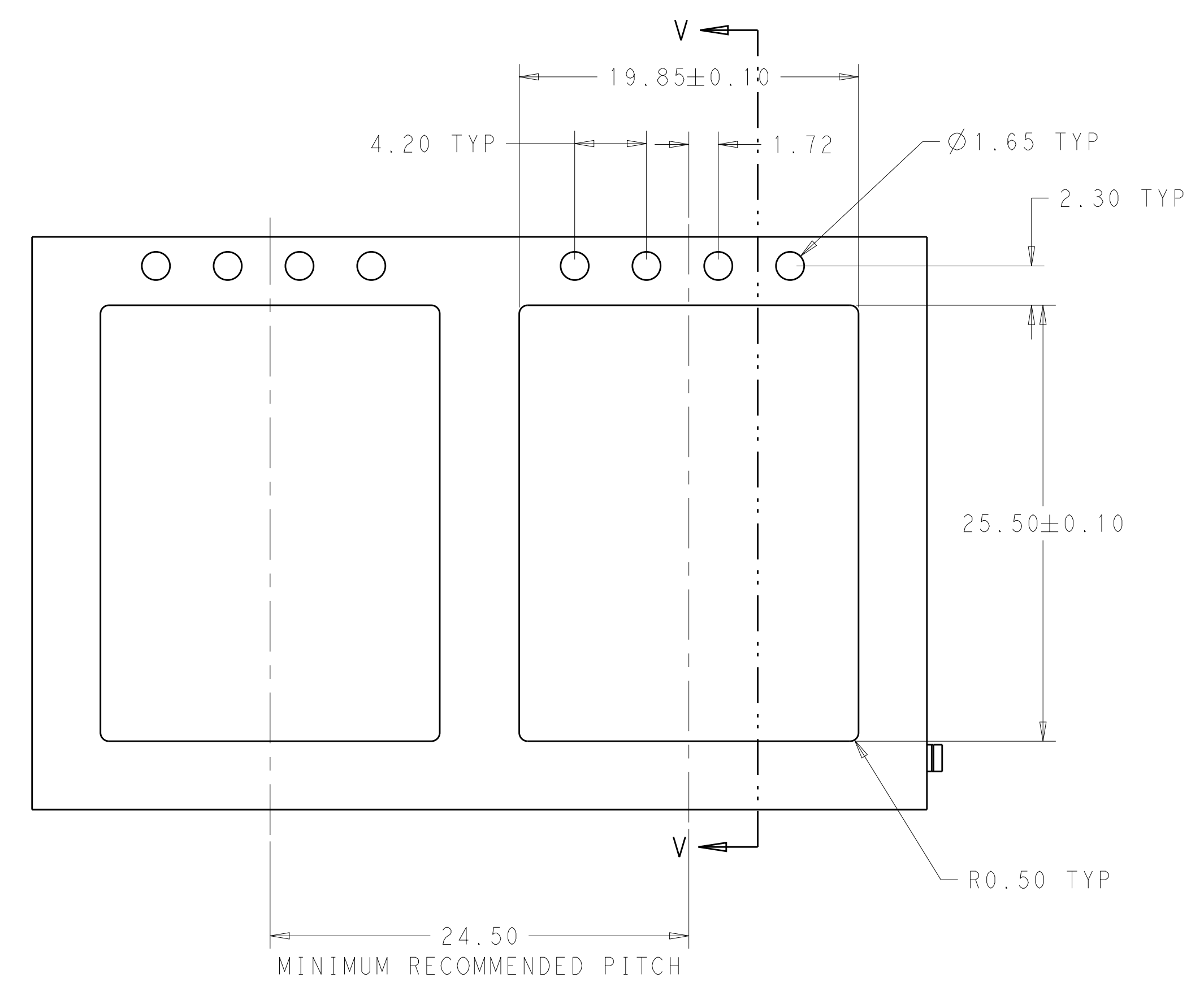
MATERIAL: SEE NOTE 1  
 FINISH: SEE NOTE 2

Customer Drawing

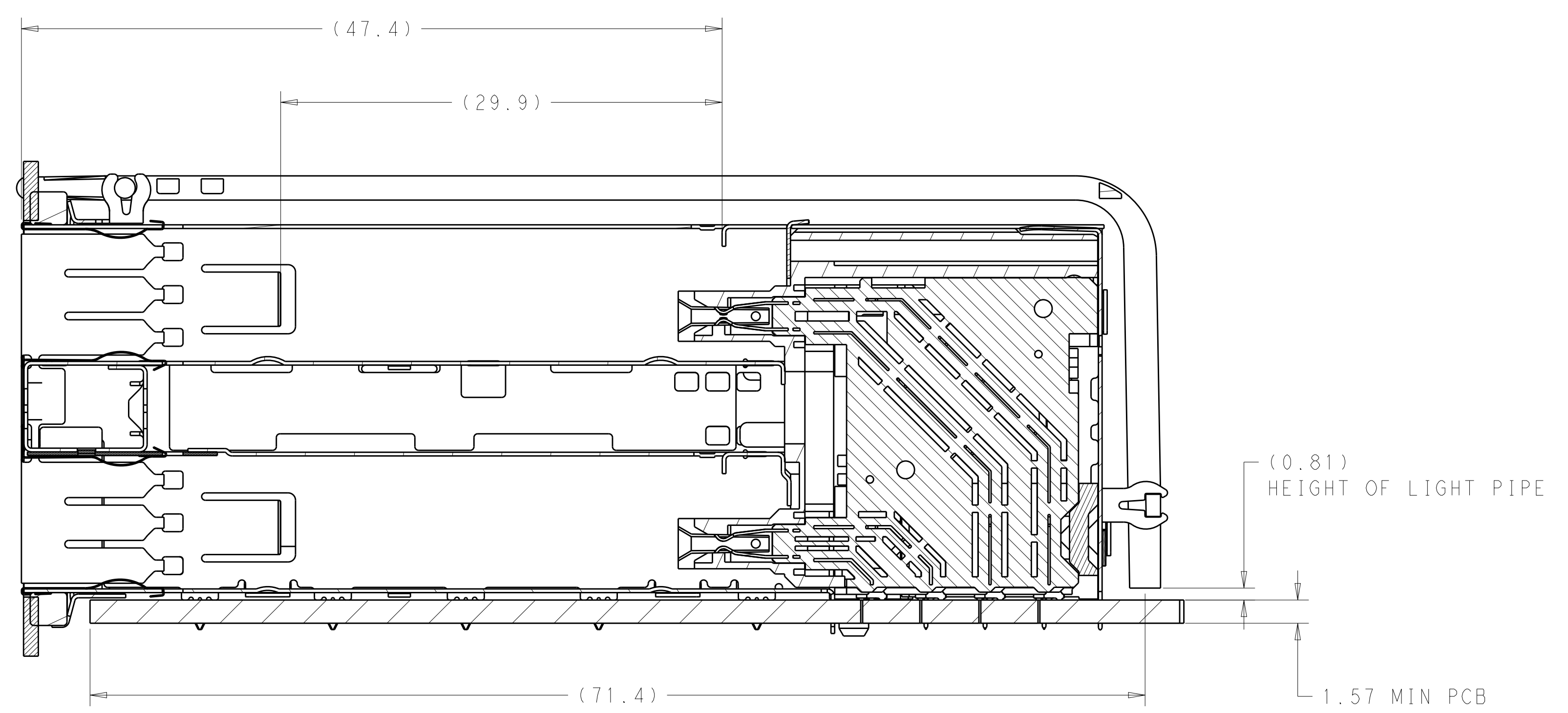
SCALE: 4:1 SHEET 1 OF 4 REV 2

STE TE Connectivity  
**PRELIMINARY**  
 CAGE AND CONNECTOR ASSEMBLY WITH EMI GASKET, 2X1 THERMAL FOOTPRINT, ZQSFP+STACKED

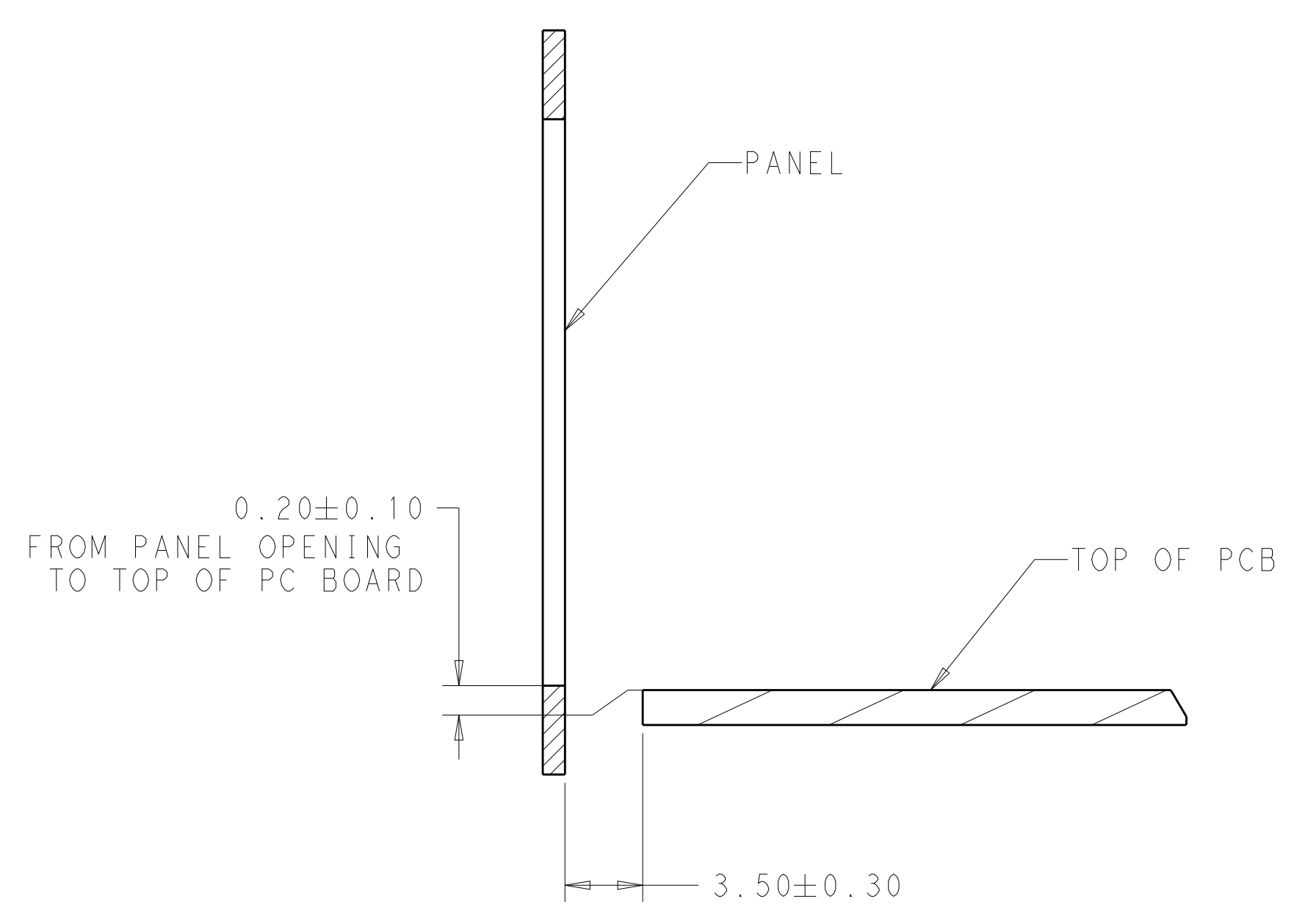
REVISIONS				
P.	LTN.	DESCRIPTION	DATE	APVD.
-	-	SEE SHEET 1	-	-



RECOMMEND PANEL CUTOUT AND PC BOARD, PANEL POSITION



SECTION V-V  
SCALE 4:1



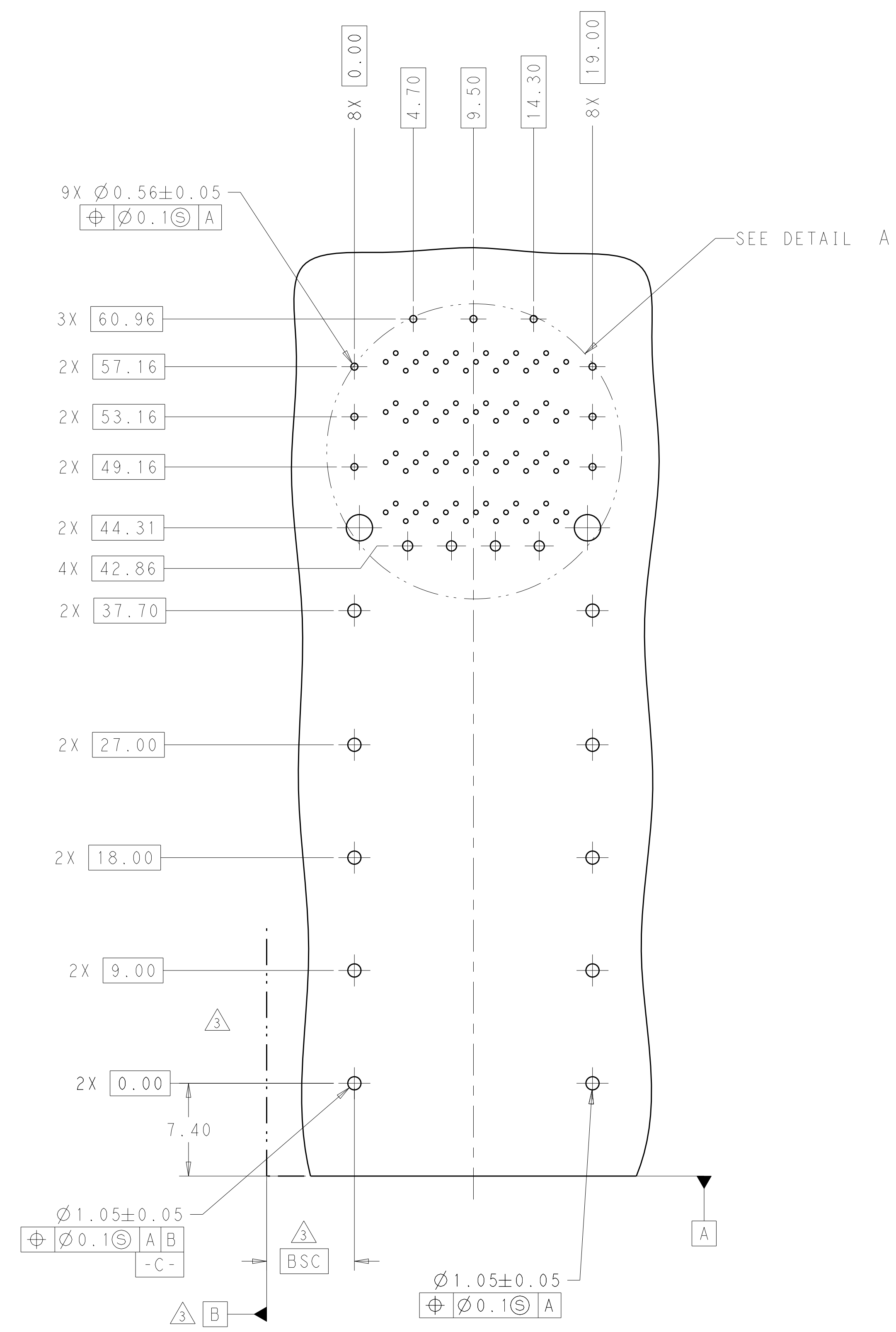
SECTION V-V  
SCALE 4:1

THIS PRODUCT HAS NOT COMPLETED VALIDATION AND QUALIFICATION TESTING

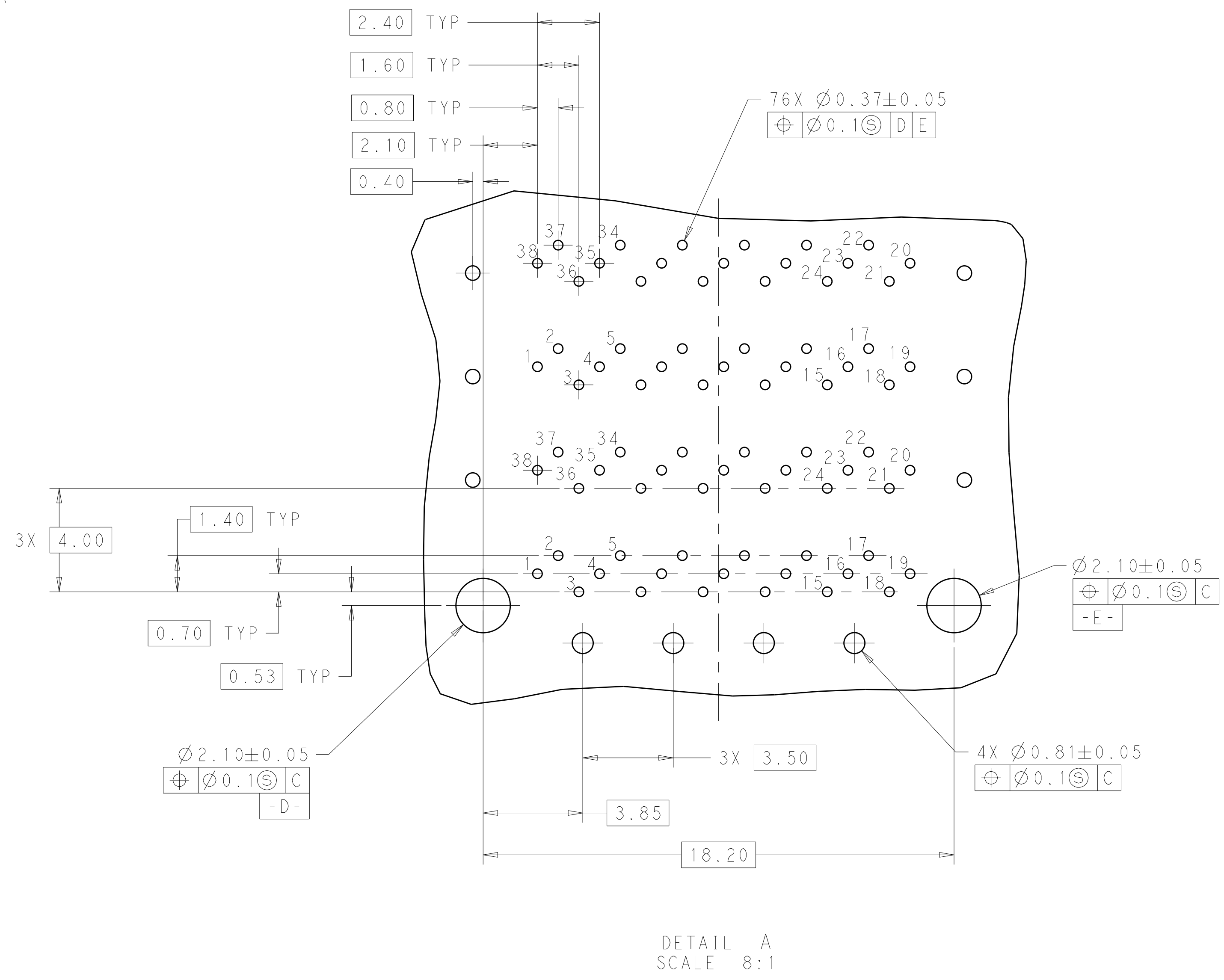
PRELIMINARY - NOT RELEASED FOR PRODUCTION

THIS DRAWING IS A CONTROLLED DOCUMENT.		OWN: REVIN DING 170CT13	TE Connectivity
DIMENSIONS: mm		CHK: JASON YANG 170CT13	
TOLERANCES UNLESS OTHERWISE SPECIFIED:		APVD: JASON YANG 170CT13	NAME: CAGE AND CONNECTOR ASSEMBLY, WITH EMI GASKET, 2X1, THERMAL FOOTPRINT, ZQSFP+STACKED
0 PLC ±	1 PLC ±0.25	PRODUCT SPEC	SIZE: A100779
2 PLC ±0.15	3 PLC ±0.013	APPLICATION SPEC	CAGE CODE: C=2170608
4 PLC ±0.0001	ANGLES ±0.001	FINISH: SEE NOTE 2	RESTRICTED TO: -
MATERIAL: SEE NOTE 1	FINISH: SEE NOTE 2	WEIGHT: -	Customer Drawing
SCALE: 4:1		SHEET: 2 OF 4	REV: 2

REVISIONS				
P.	LTN.	DESCRIPTION	DATE	APP'D.
-	-	SEE SHEET 1	-	-



RECOMMENDED PCB BOARD LAYOUT  
 COMPONENT SIDE OF BOARD  
 PCB TOLERANCE:  $\pm 0.05$

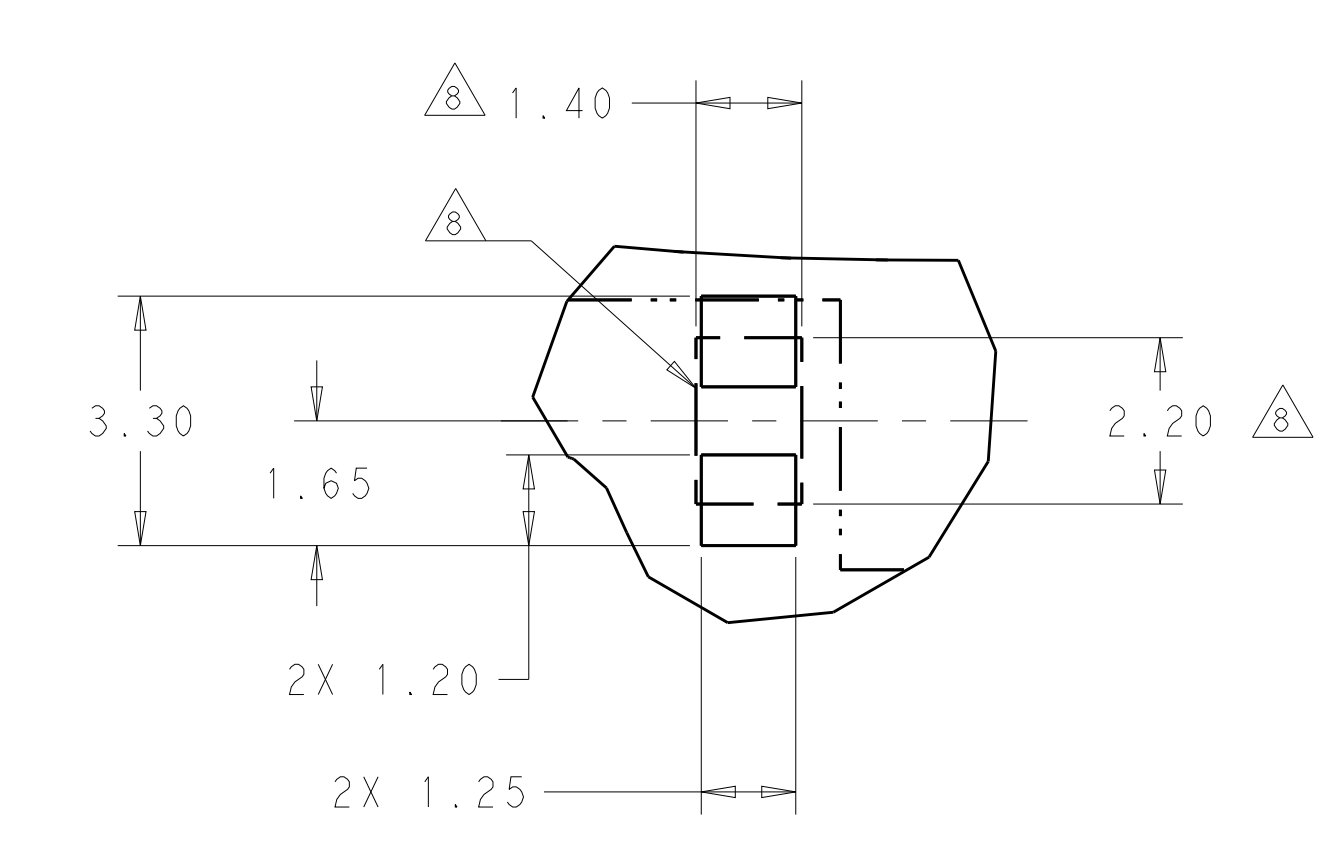
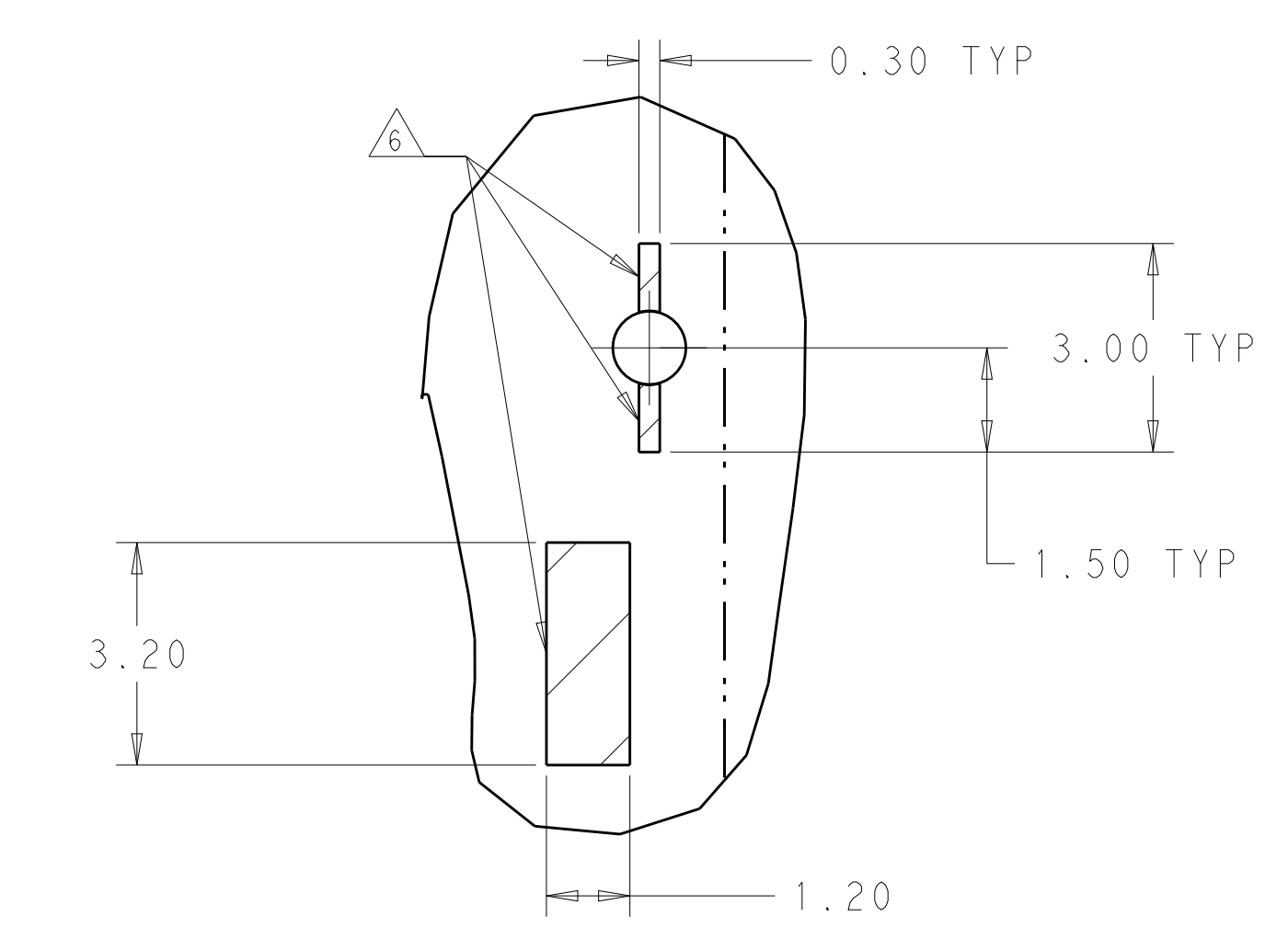
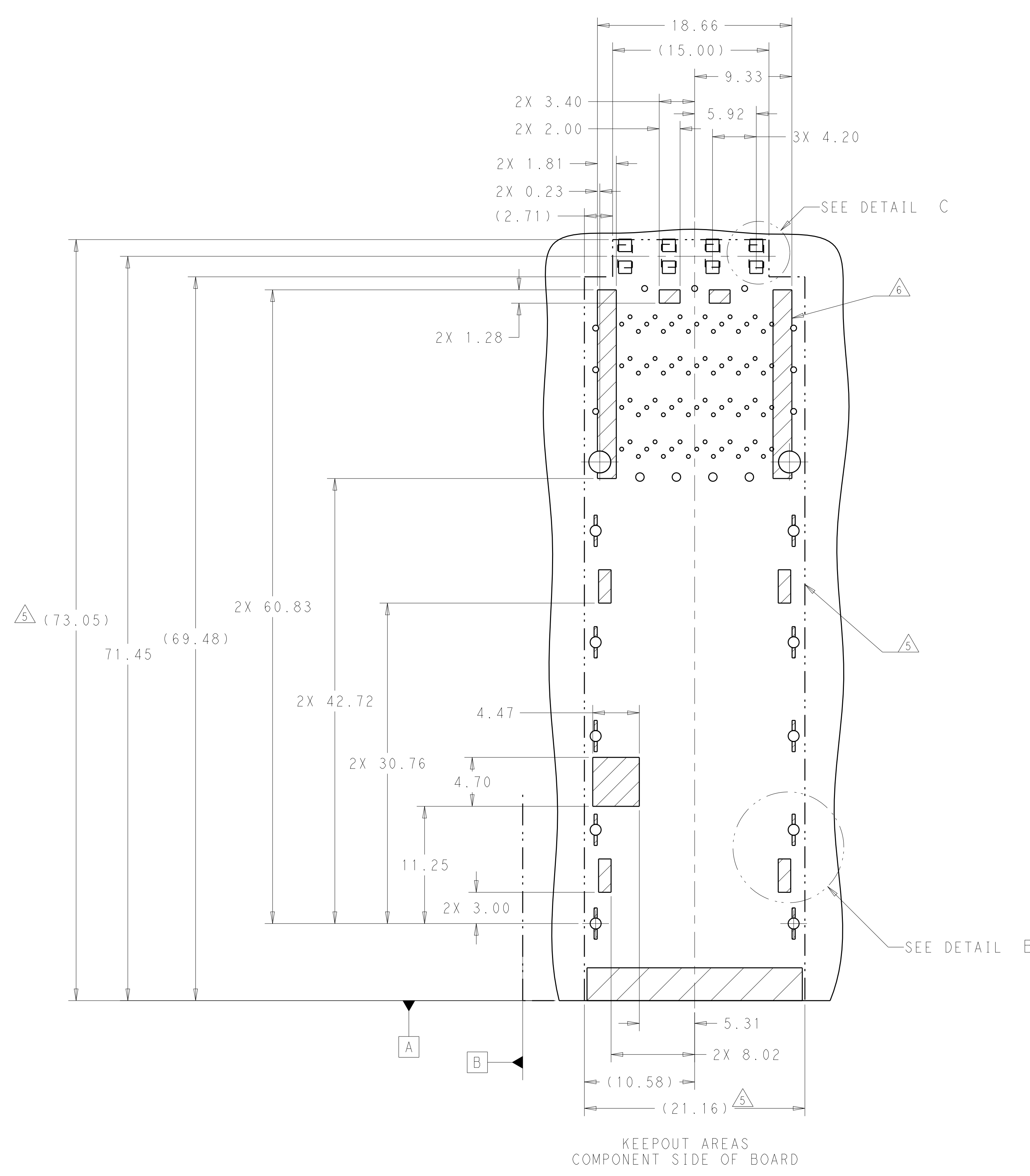


**PRELIMINARY - NOT RELEASED FOR PRODUCTION**

**THIS PRODUCT HAS NOT COMPLETED VALIDATION AND QUALIFICATION TESTING**

THIS DRAWING IS A CONTROLLED DOCUMENT.		OWN: REVIN DING 170CT13	TE Connectivity
DIMENSIONS: mm		CHK: JASON YANG 170CT13	
		APVD: JASON YANG 170CT13	NAME: CAGE AND CONNECTOR ASSEMBLY, WITH EMI GASKET, 2X1, THERMAL FOOTPRINT, ZQSFP+STACKED
TOLERANCES UNLESS OTHERWISE SPECIFIED:		PRODUCT SPEC	SIZE: CAGE CODE DRAWING NO. RESTRICTED TO
0 PLC $\pm 0.25$		APPLICATION SPEC	A100779C=2170608
1 PLC $\pm 0.15$		WEIGHT	Customer Drawing
2 PLC $\pm 0.10$		SCALE	4:1
3 PLC $\pm 0.075$		SHEET	3 OF 4
4 PLC $\pm 0.05$		REV	2
ANGLES $\pm 0.0001$		FINISH	SEE NOTE 2
MATERIAL: SEE NOTE 1		Customer Drawing	

REVISIONS				
P.	LTN.	DESCRIPTION	DATE	APPD.
-	-	SEE SHEET 1	-	-



**PRELIMINARY - NOT RELEASED FOR PRODUCTION**

**THIS PRODUCT HAS NOT COMPLETED VALIDATION AND QUALIFICATION TESTING**

THIS DRAWING IS A CONTROLLED DOCUMENT.		DWN: REVIN DING 170CT13 CHK: JASON YANG 170CT13 APVD: JASON YANG 170CT13	TE Connectivity
DIMENSIONS: mm 	TOLERANCES UNLESS OTHERWISE SPECIFIED: 0 PLC ± 1 PLC ±0.25 2 PLC ±0.15 3 PLC ±0.013 4 PLC ±0.0001 ANGLES ±0.2°	NAME: CAGE AND CONNECTOR ASSEMBLY, WITH EMI GASKET, 2X1, THERMAL FOOTPRINT, ZQSFP+STACKED PRODUCT SPEC: APPLICATION SPEC: FINISH: SEE NOTE 2	
MATERIAL: SEE NOTE 1	FINISH: SEE NOTE 2	WEIGHT: -	Customer Drawing SCALE: 4:1 SHEET: 4 OF 4 REV: 2