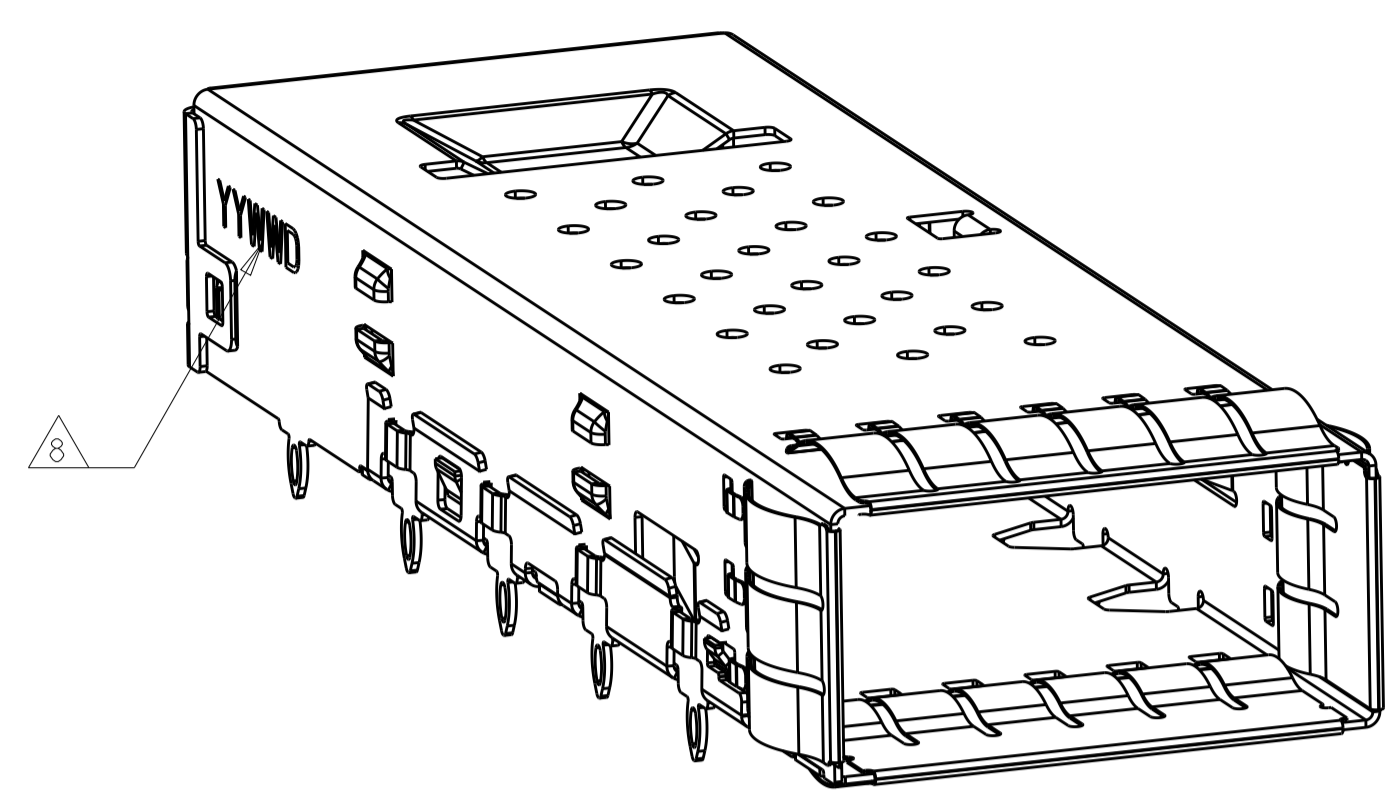
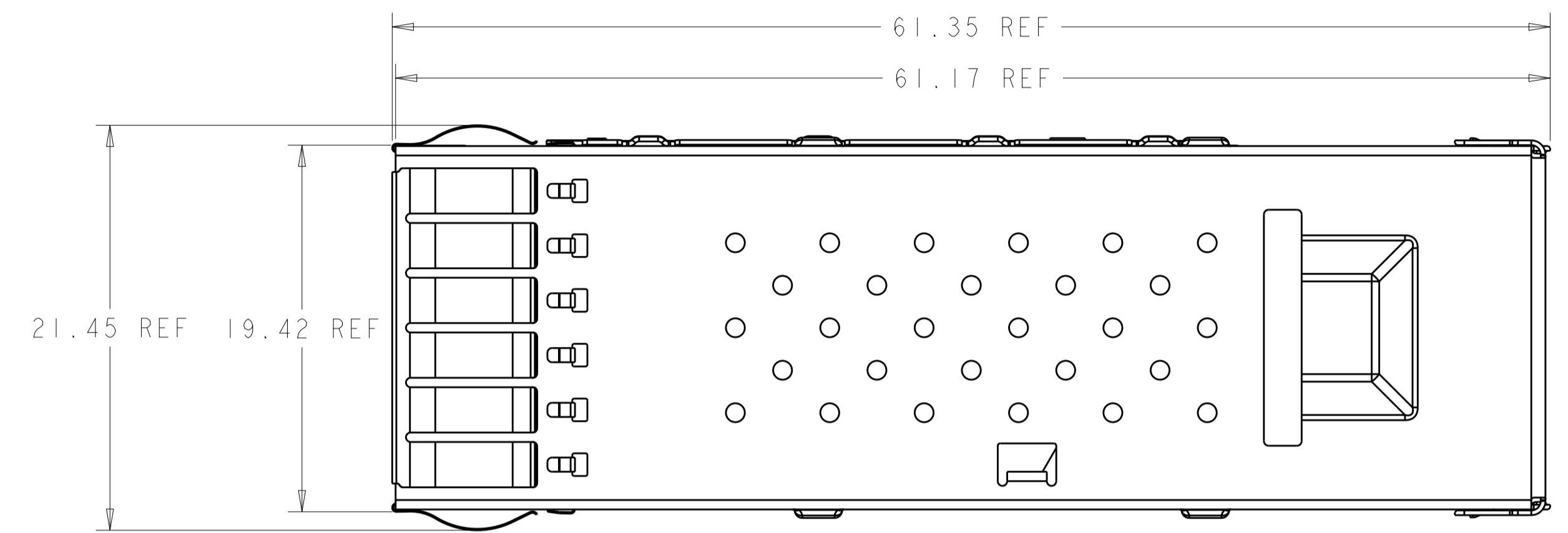


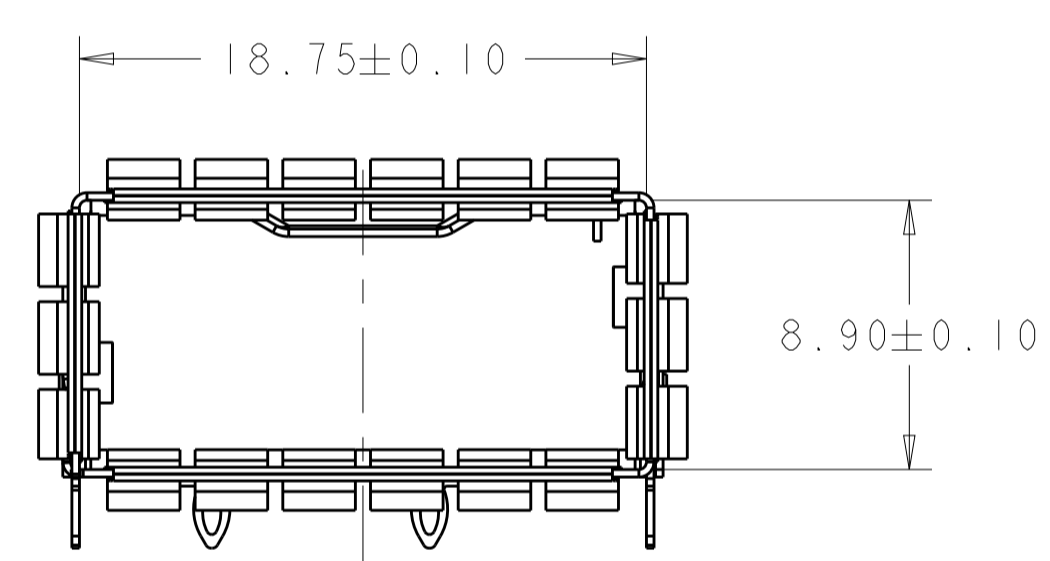
REVISIONS				
P.	LTN	DESCRIPTION	DATE	APVD
A		INITIAL RELEASE	29JAN2016	JY SH
B		REVISED PER ECO-16-015248	24OCT2016	JY SH
C1		REVISED PER ECO-20-002129	14FEB2020	VM SH



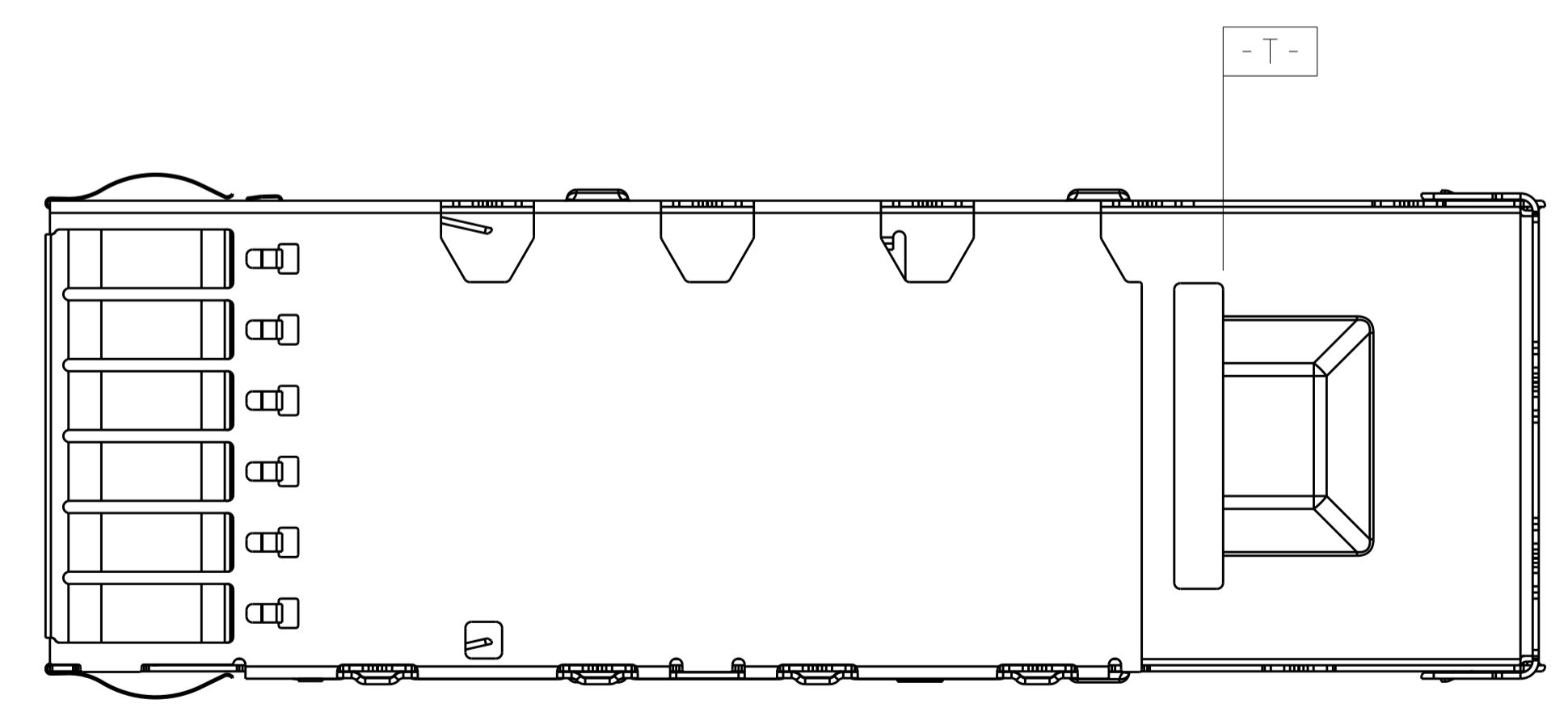
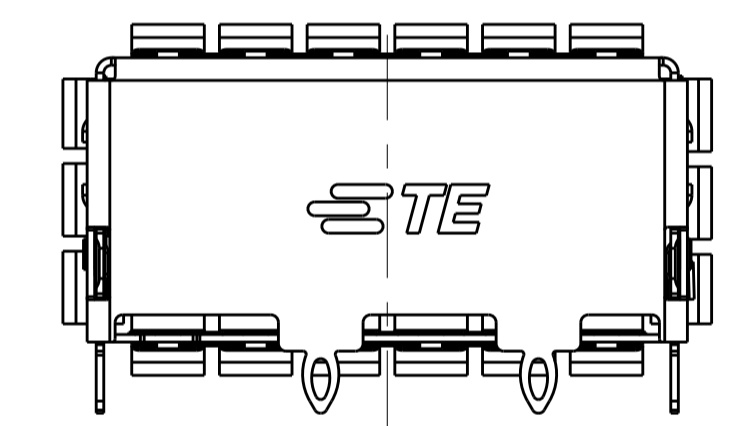
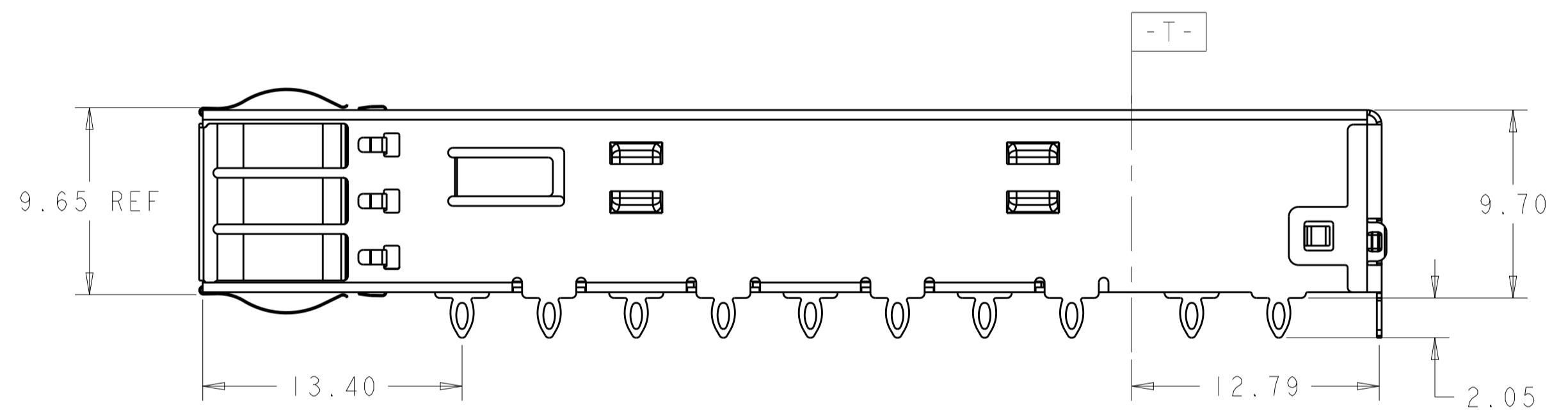
SCALE 4:1



- MATERIAL:
CAGE MATERIAL : 0.25 THICK NICKEL SILVER.
SPRING MATERIAL: COPPER ALLOY
 - FINISH:
SPRING: NICKEL PLATING
 - MATES WITH QSFP28 MSA COMPATIBLE TRANSCEIVER.
 - REFERENCE APPLICATION SPEC 114-32023 FOR RECOMMENDED DRILL HOLE DIAMETER AND PLATING THICKNESS.
 - DATUM AND BASIC DIMENSIONS ESTABLISHED BY CUSTOMERS.
 - MINIMUM PC BOARD THICKNESS: SINGLES SIDED: 1.57 MIN
DOUBLE SIDED: 2.20 MIN
- DATUM -A- IS TOP SURFACE OF THE HOST BOARD.
- DATE CODE (YYWWD) MARKED APPROXIMATELY AS SHOWN



SCALE 4:1



WITH	WITH	1	WITH LARGER	2-2170703-8
WITH	WITHOUT	2	WITH LARGER	1-2170703-0
WITH	WITH	1	WITHOUT	5-2170703-4
WITH	WITH	2	WITH STANDARD	5-2170703-2
WITHOUT	WITHOUT	0	WITH STANDARD	2-2170703-7
WITH	WITHOUT	1	WITH LARGER	2-2170703-6
WITH	WITHOUT	0	WITH STANDARD	2170703-7
WITH	WITHOUT	1	WITH STANDARD	2170703-6
WITH	WITHOUT	0	WITHOUT	2170703-5
WITH	WITHOUT	1	WITHOUT	2170703-4
WITH	WITHOUT	2	WITH STANDARD	2170703-2
WITH	WITHOUT	2	WITHOUT	2170703-1
SPRING FINGER	INSULATING TAPE OPTION	# REAR PINS	HEAT SINK OPEN	PART NUMBER

2170703-1 AS SHOWN

THIS DRAWING IS A CONTROLLED DOCUMENT. DWG: JASON YANG 23SEP2013
CHK: SEAN HAN 29JAN2016

STE TE Connectivity

NAME: CAGE ASSEMBLY, QSFP28 1X1 THRU BEZEL WITH EMI SPRING FINGER

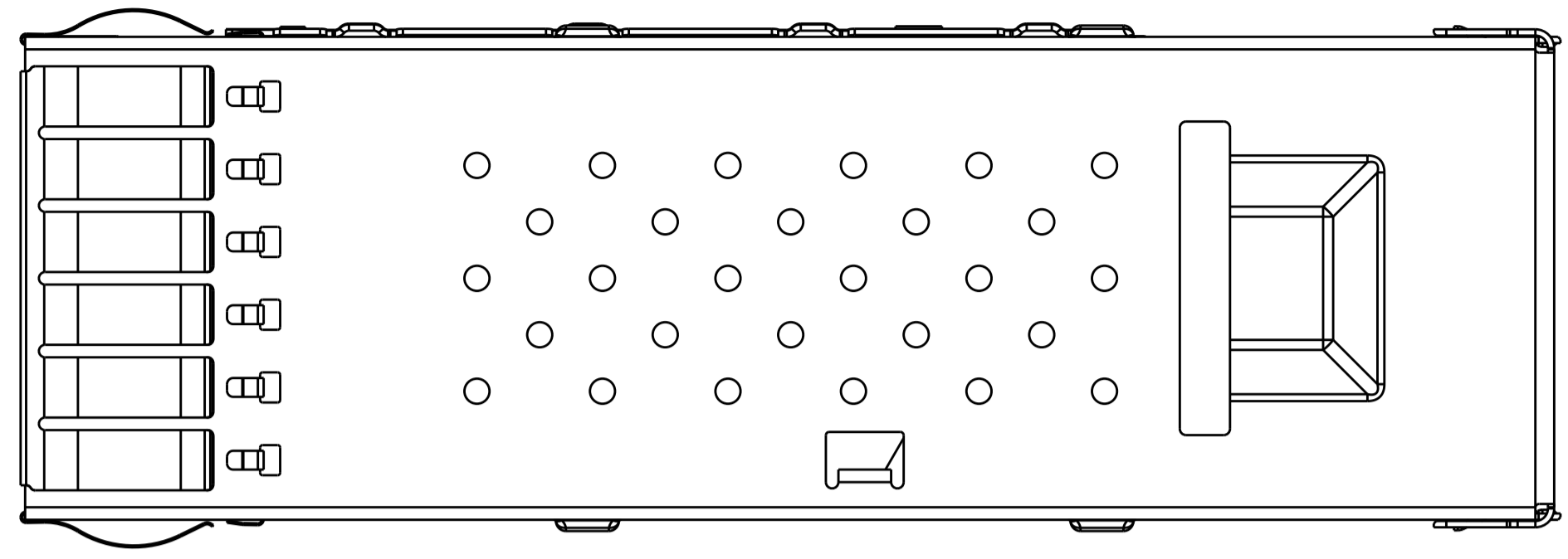
PRODUCT SPEC: 108-19428
APPLICATION SPEC: 114-32023

SIZE: CAGE CODE DRAWING NO: A100779C= 2170703
RESTRICTED TO: RESTRICTED CUSTOMER

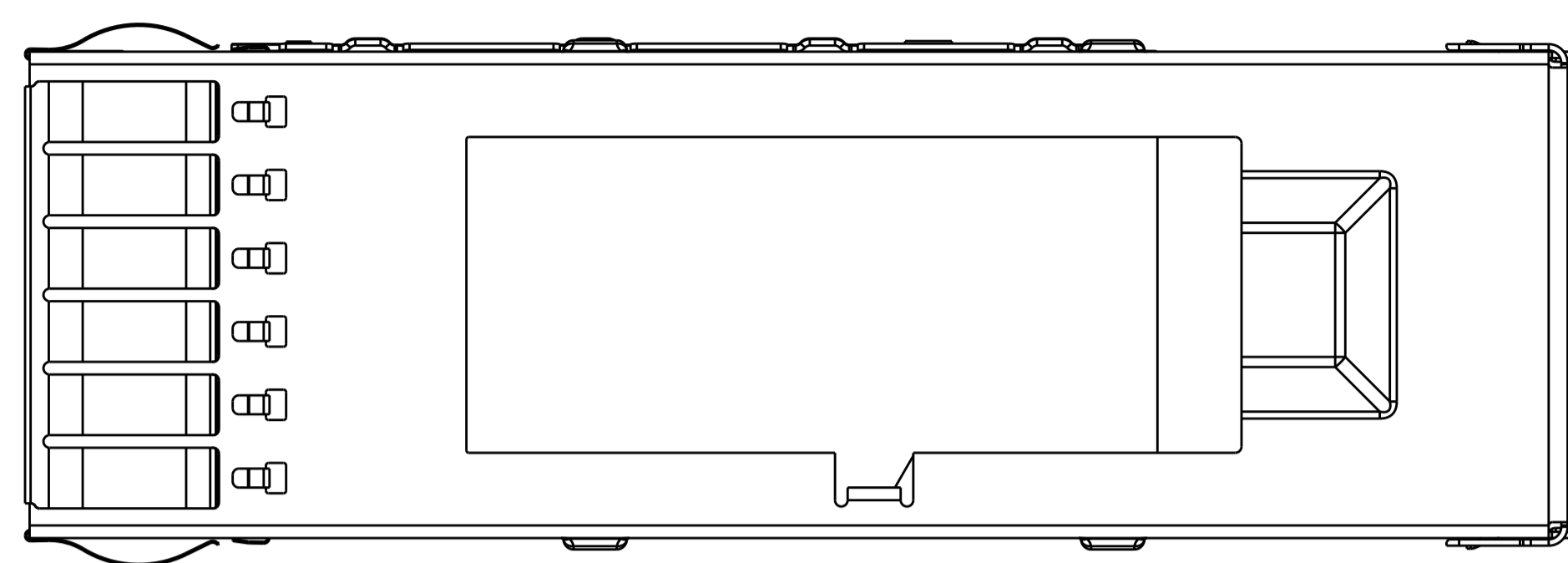
SCALE: 2:1 SHEET 1 OF 6 REV: C1

REVISIONS				
P.	LTN	DESCRIPTION	DATE	APVD
-	-	SEE SHEET 1	-	-

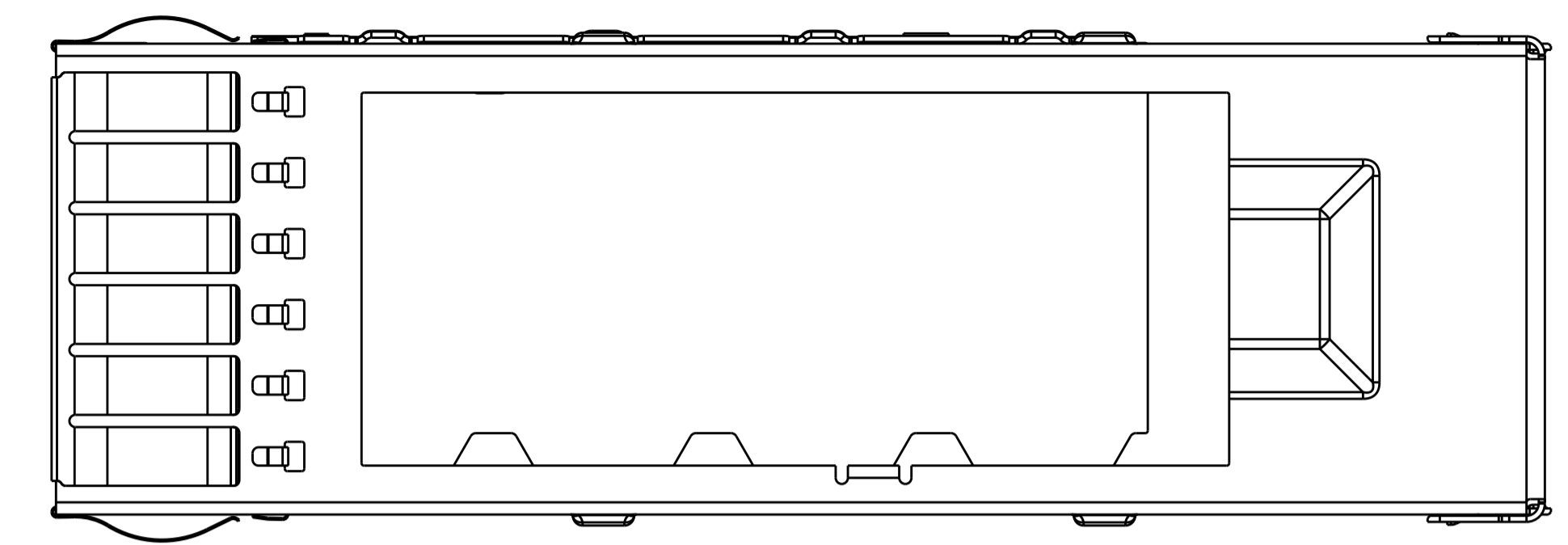
HEAT SINK OPEN OPTIONS



WITHOUT HEAT SINK OPEN
SCALE 4:1

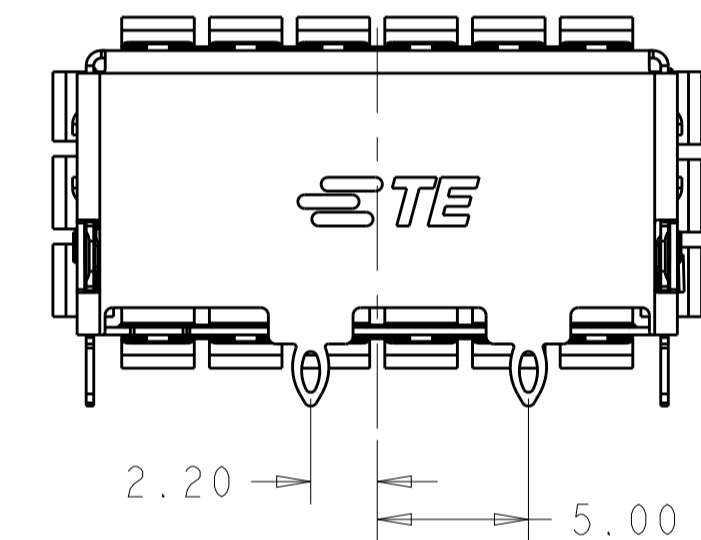


WITH STANDARD HEAT SINK OPEN (30.7X12.5)
SCALE 4:1

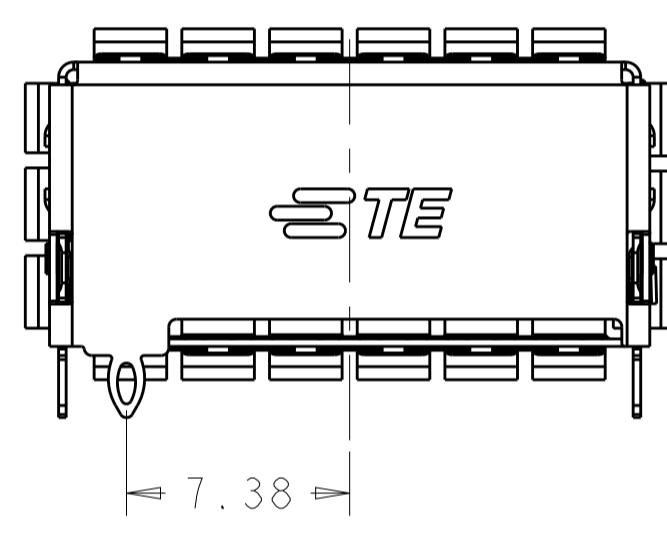


WITH LARGER HEAT SINK OPEN (35.5X15.25)
SCALE 4:1

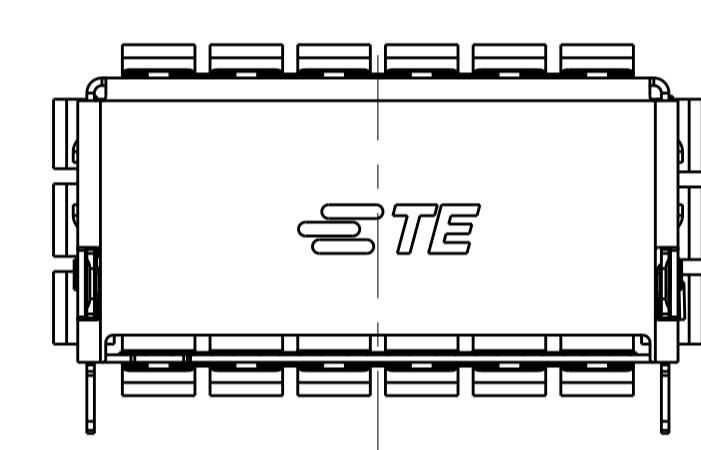
OF REAR LEGS OPTIONS



2 REAR LEGS VERSION
SCALE 4:1

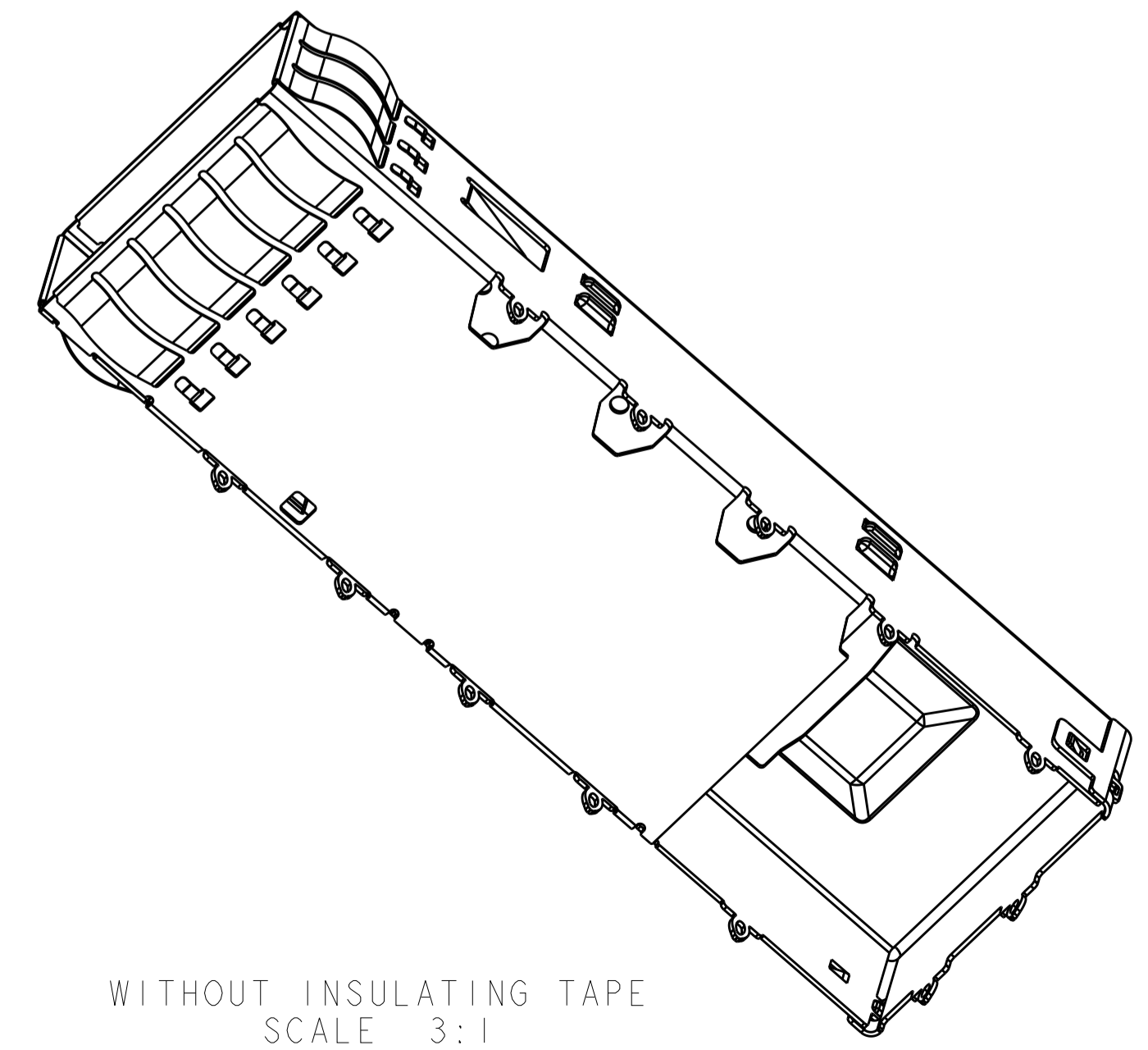


1 REAR LEG VERSION
SCALE 4:1

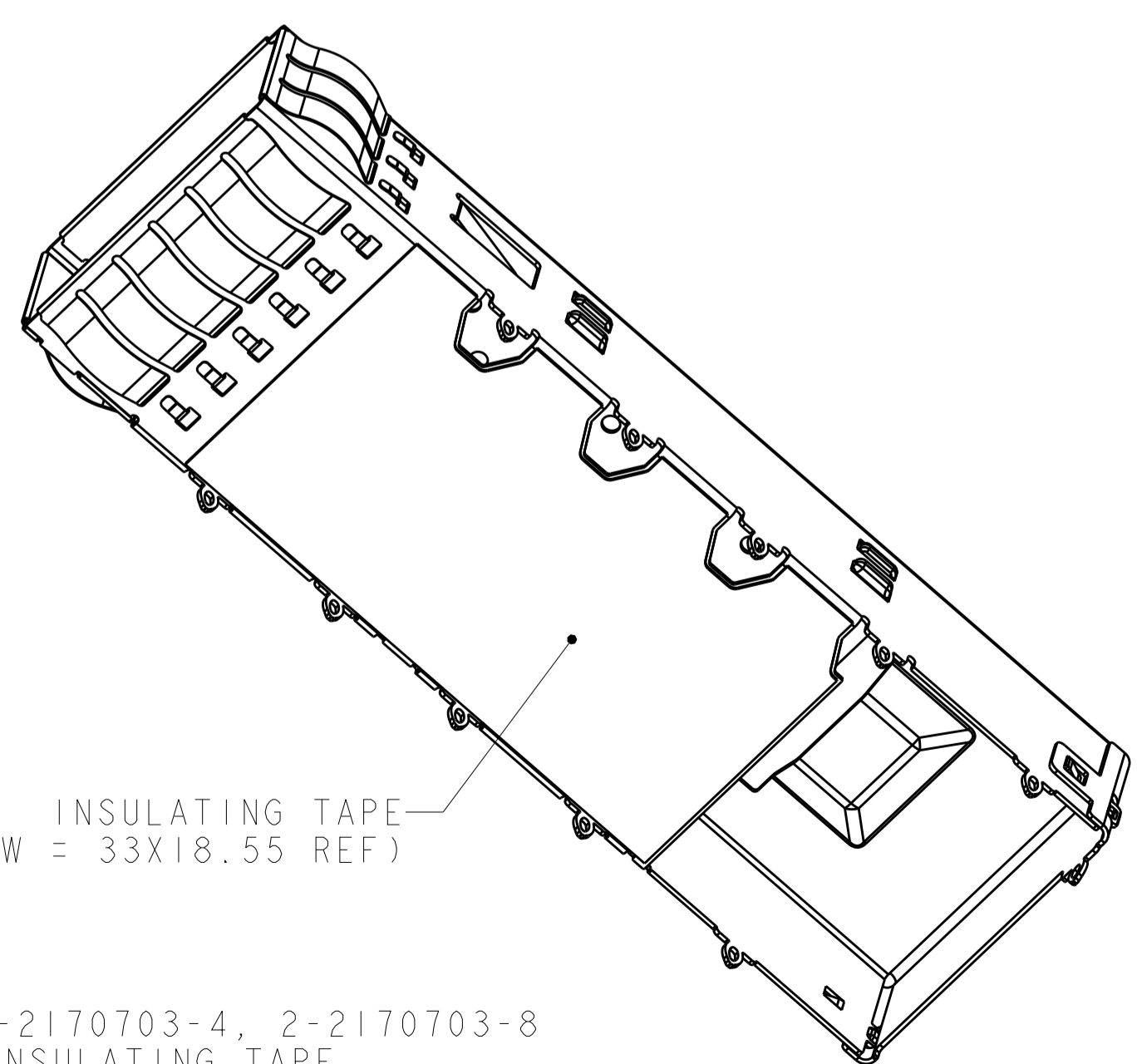


0 REAR LEG VERSION
SCALE 4:1

INSULATING TAPE OPTIONS



WITHOUT INSULATING TAPE
SCALE 3:1

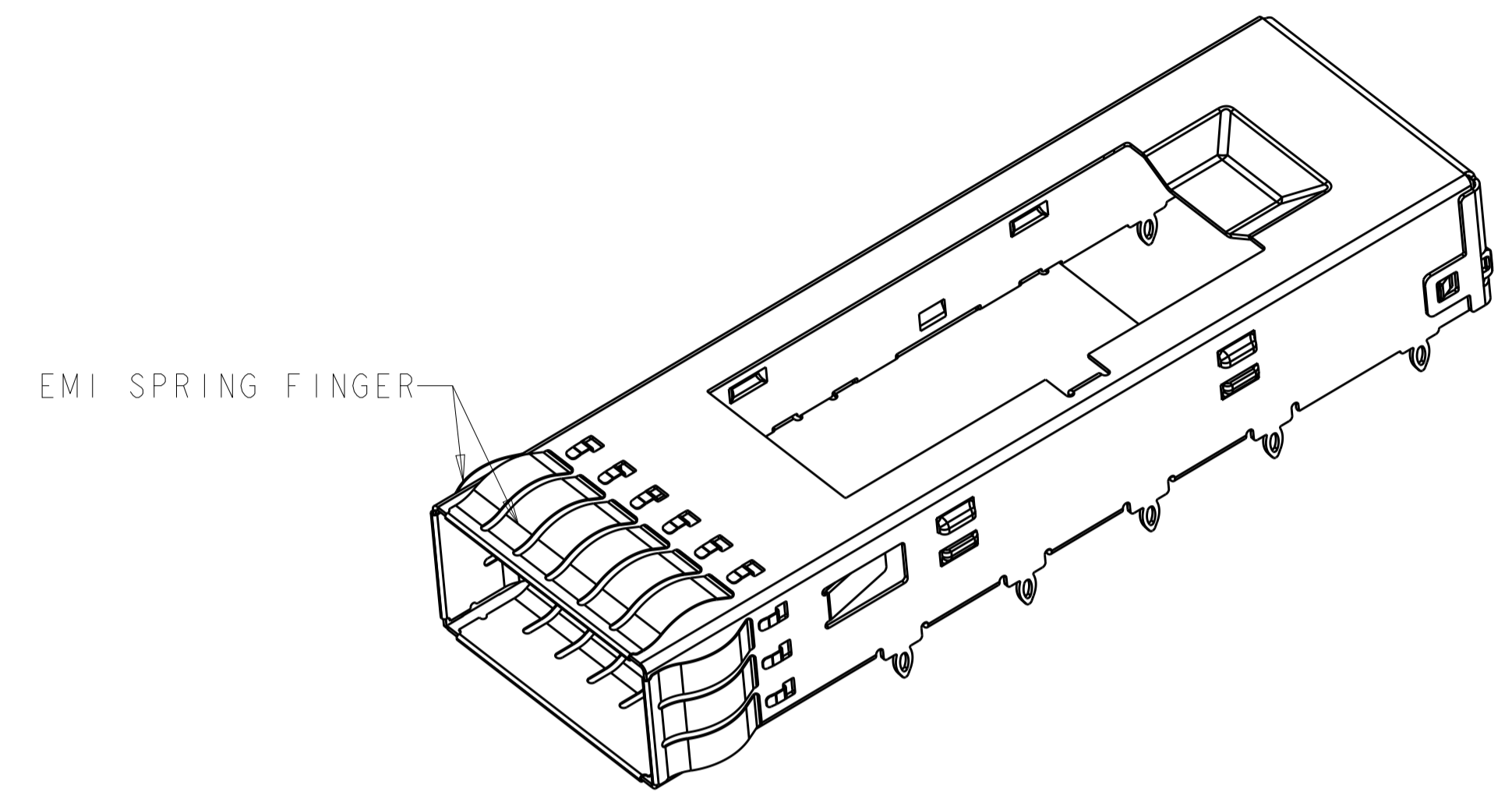


5-2170703-2, 5-2170703-4, 2-2170703-8
WITH INSULATING TAPE
SCALE 3:1

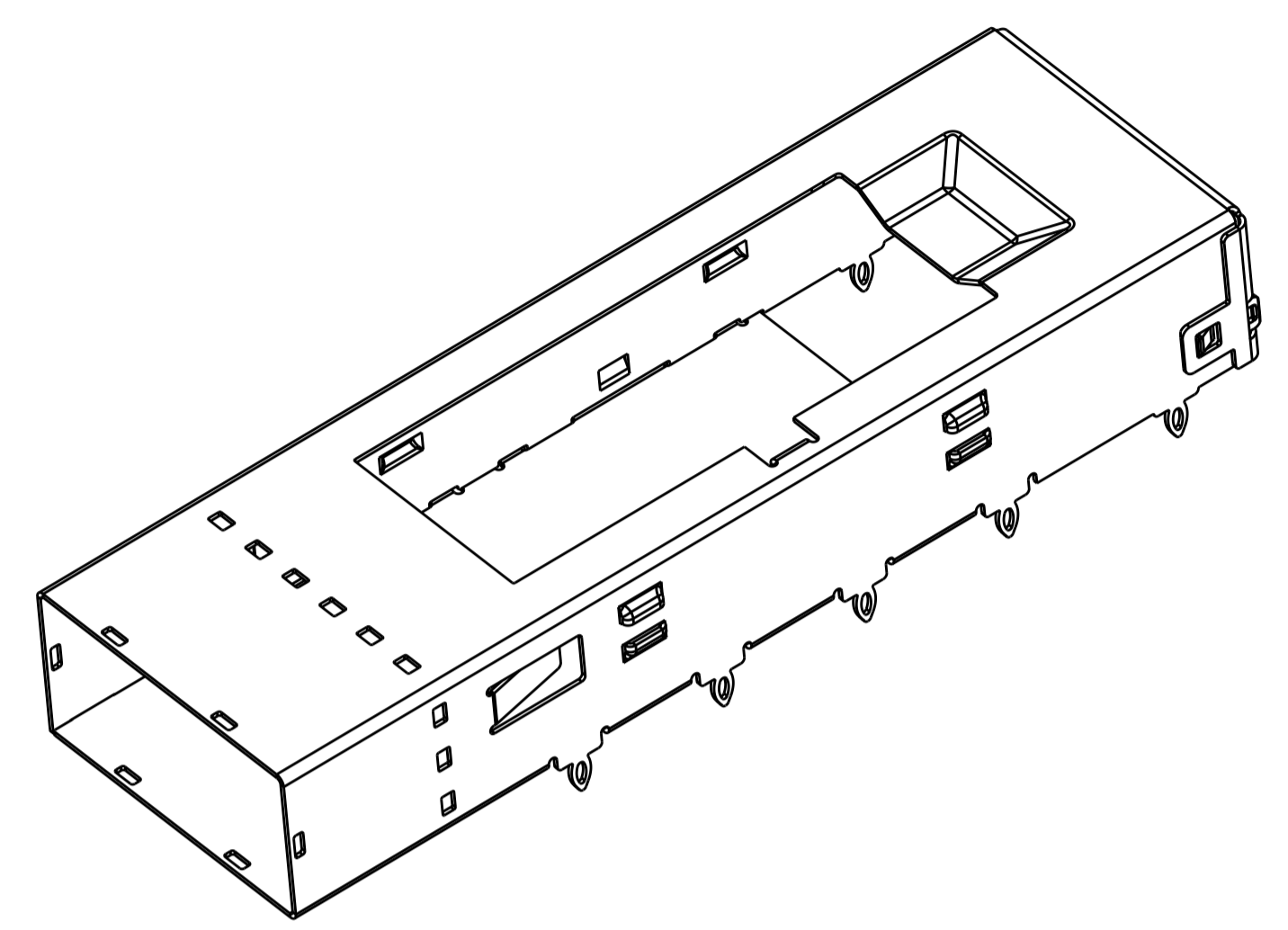
THIS DRAWING IS A CONTROLLED DOCUMENT.		DWN: JASON YANG 23SEP2013	TE Connectivity
		CHK: SEAN HAN 29JAN2016	
DIMENSIONS:		PRODUCT SPEC: 108-19428 APPLICATION SPEC: 114-32023	
mm	0 PLC ± 0.25 1 PLC ± 0.25 2 PLC ± 0.20 3 PLC ± 0.20 4 PLC ± 0.100	SIZE: CAGE CODE DRAWING NO: A100779 WEIGHT: 2170703	
MATERIAL:		RESTRICTED CUSTOMER	
FINISH:		SCALE 2:1 SHEET 2 OF 6 REV C1	

REVISIONS				
P.	LTN	DESCRIPTION	DATE	APVD
-	-	SEE SHEET 1	-	-

SPRING FINGER OPTIONS



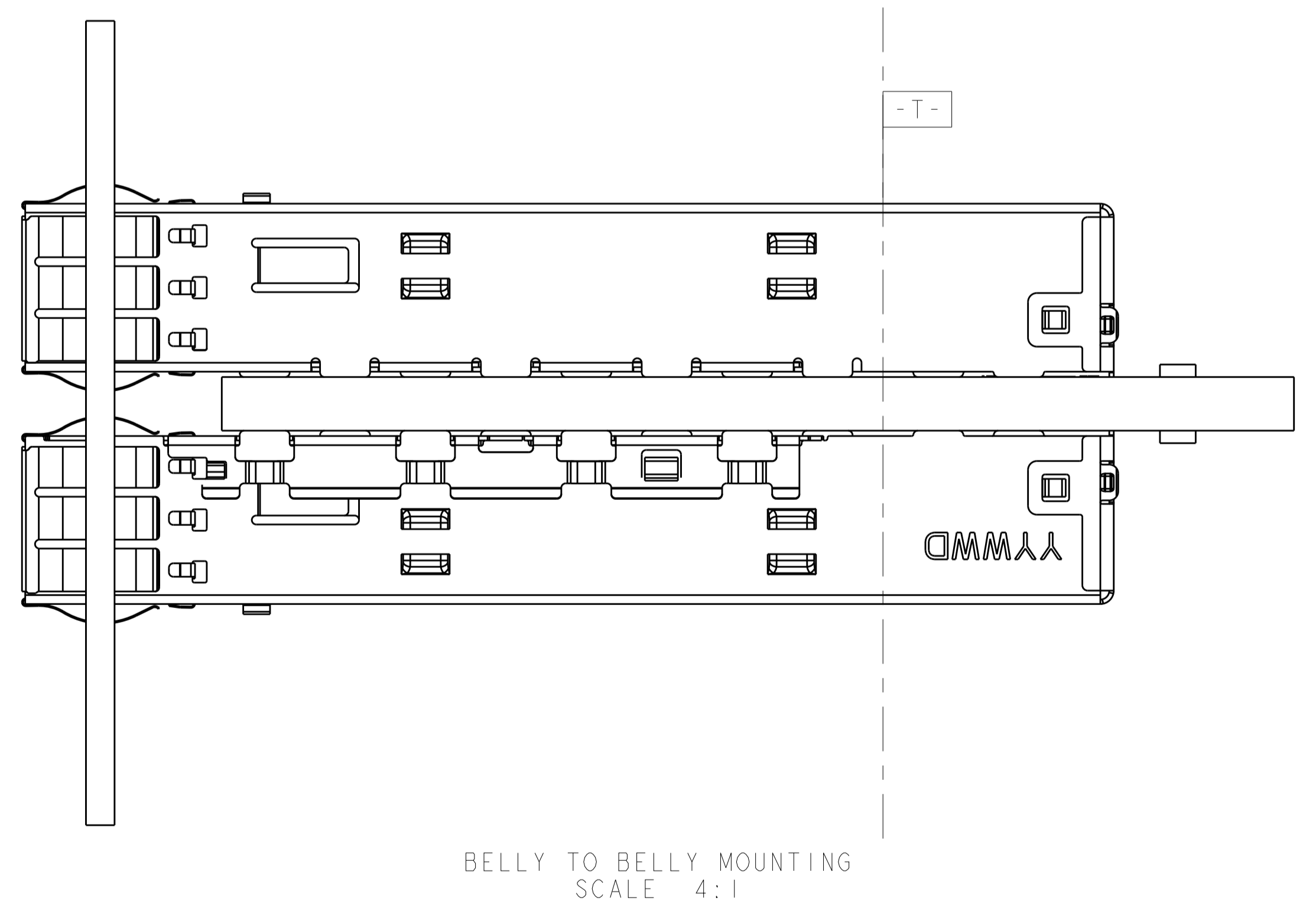
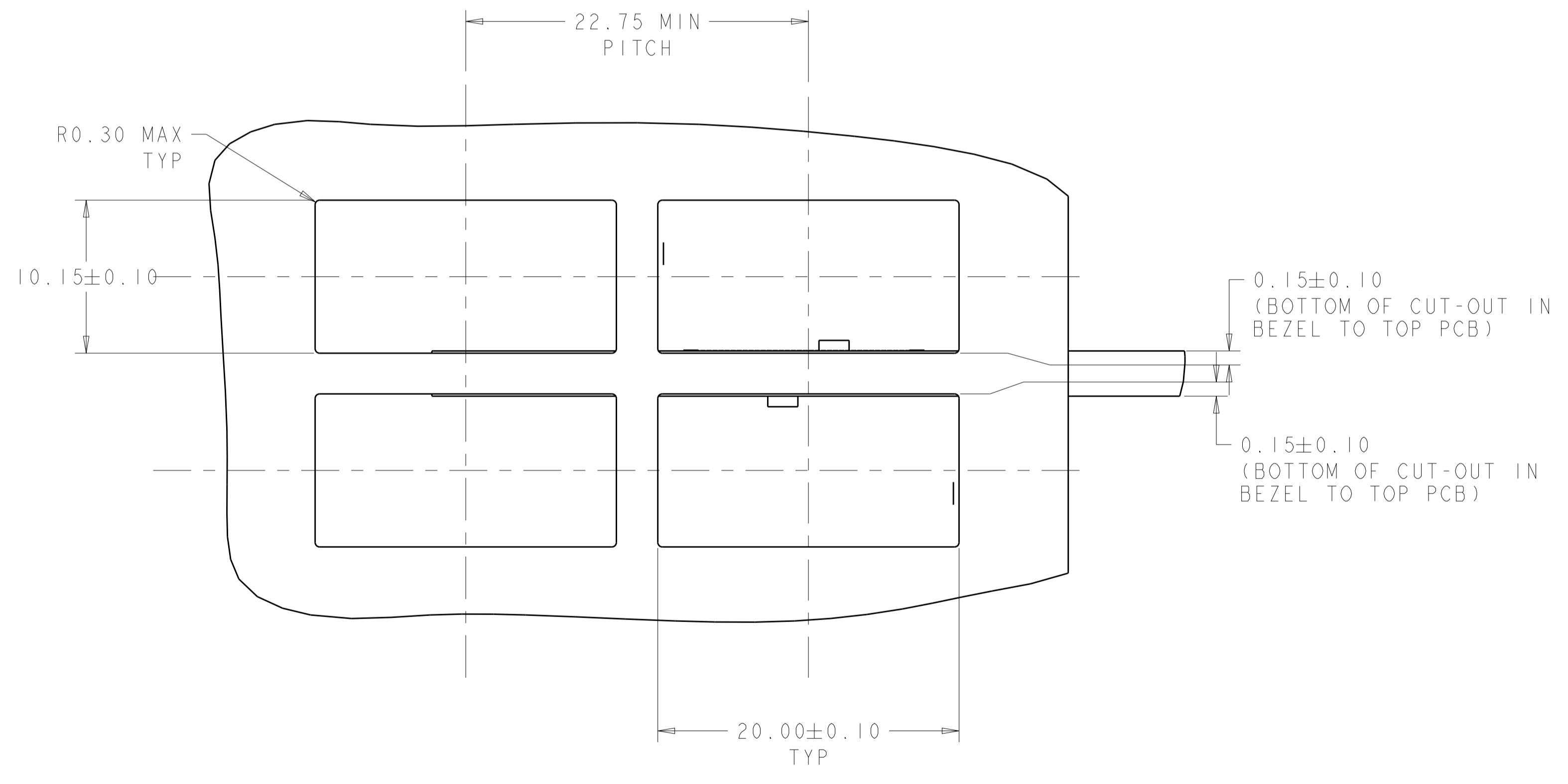
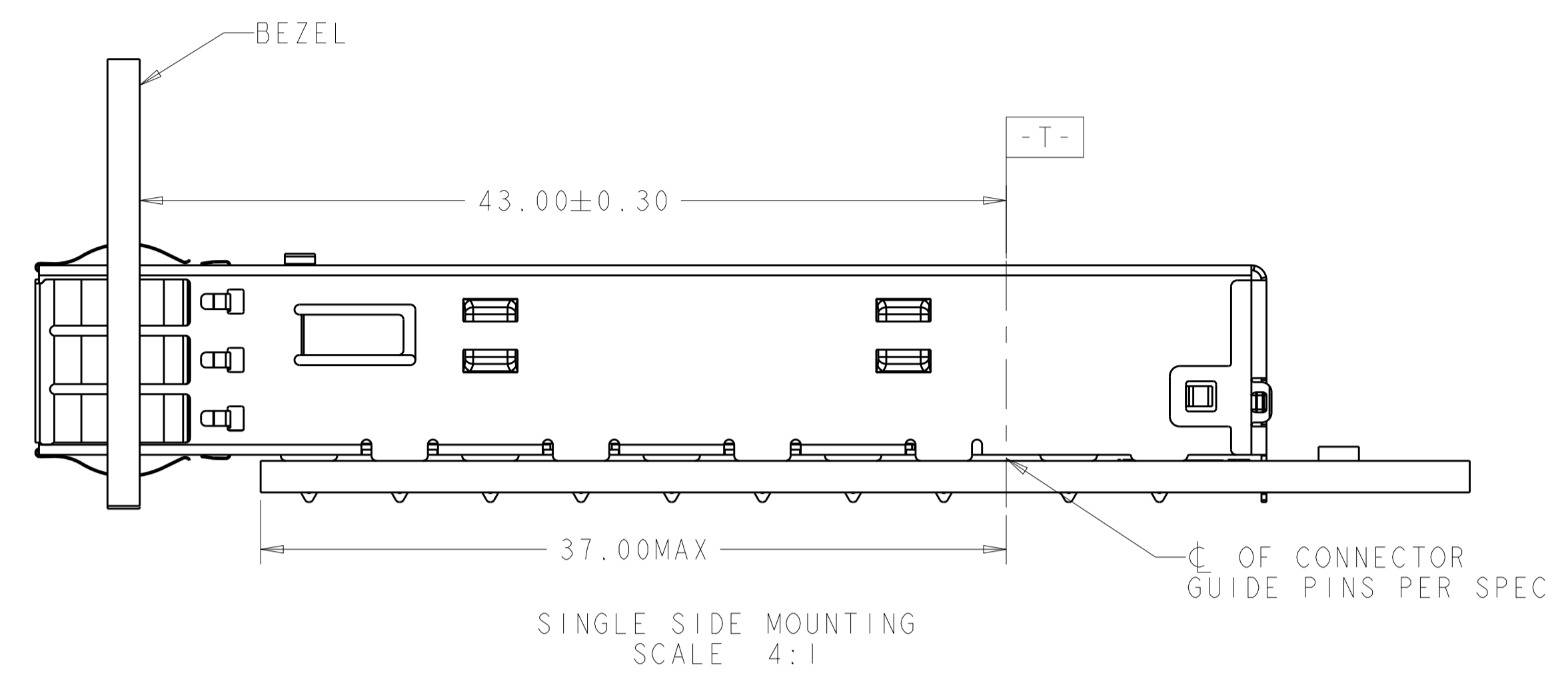
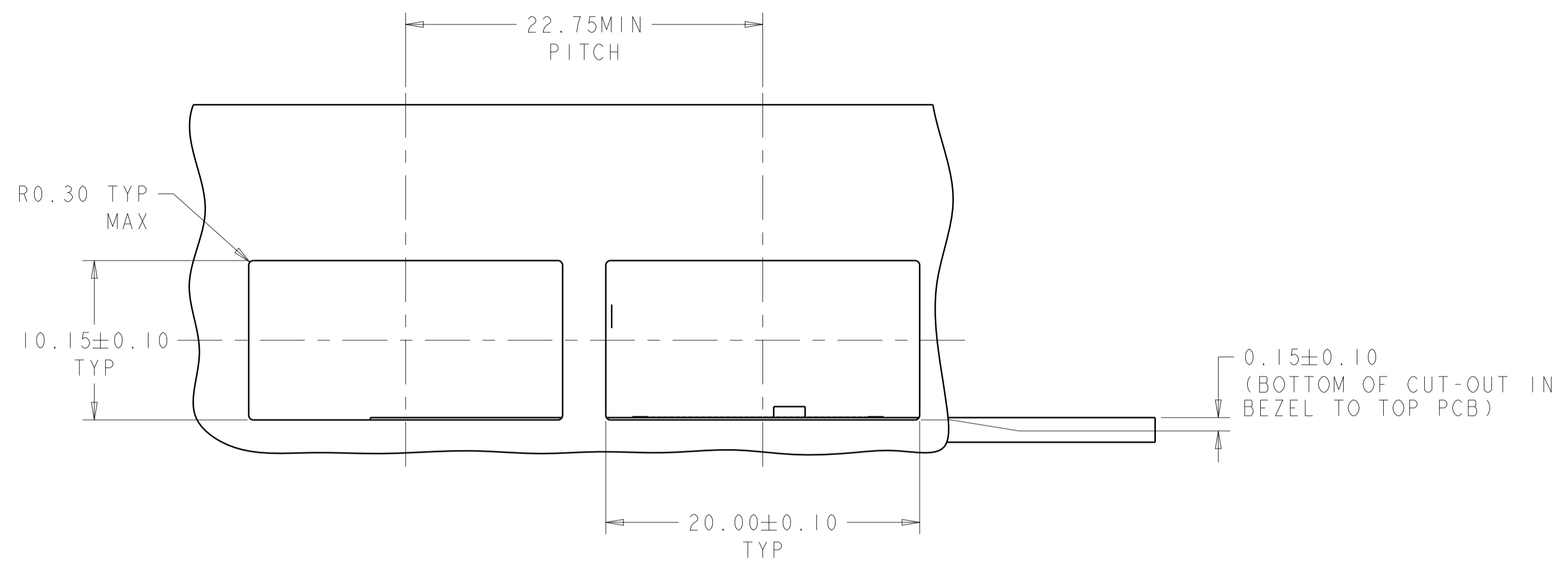
WITH EMI SPRING FINGER
SCALE 3:1



2-2170703-7
WITHOUT EMI SPRING FINGER
SCALE 3:1

THIS DRAWING IS A CONTROLLED DOCUMENT.		OWN: JASON YANG 23SEP2013	
		CHK: SEAN HAN 29JAN2016	
DIMENSIONS:	TOLERANCES UNLESS OTHERWISE SPECIFIED:	APVD: -	NAME: CAGE ASSEMBLY, QSFP28 1X1 THRU BEZEL WITH EMI SPRING FINGER
mm	0 PLC ± 0.25	PRODUCT SPEC: 108-19428	SIZE: A 00779 C= 2170703
	1 PLC ± 0.25	APPLICATION SPEC: 114-32023	RESTRICTED TO: RESTRICTED CUSTOMER
	2 PLC ± 0.20	WEIGHT: -	SCALE: 2:1 SHEET 3 OF 6 REV: C1
	3 PLC ± 0.100	RESTRICTED TO: RESTRICTED CUSTOMER	
	4 PLC ± -		
	ANGLES ± -		
MATERIAL: -	FINISH: -		

REVISIONS				
P.	LTN	DESCRIPTION	DATE	APVD
-	-	SEE SHEET 1	-	-

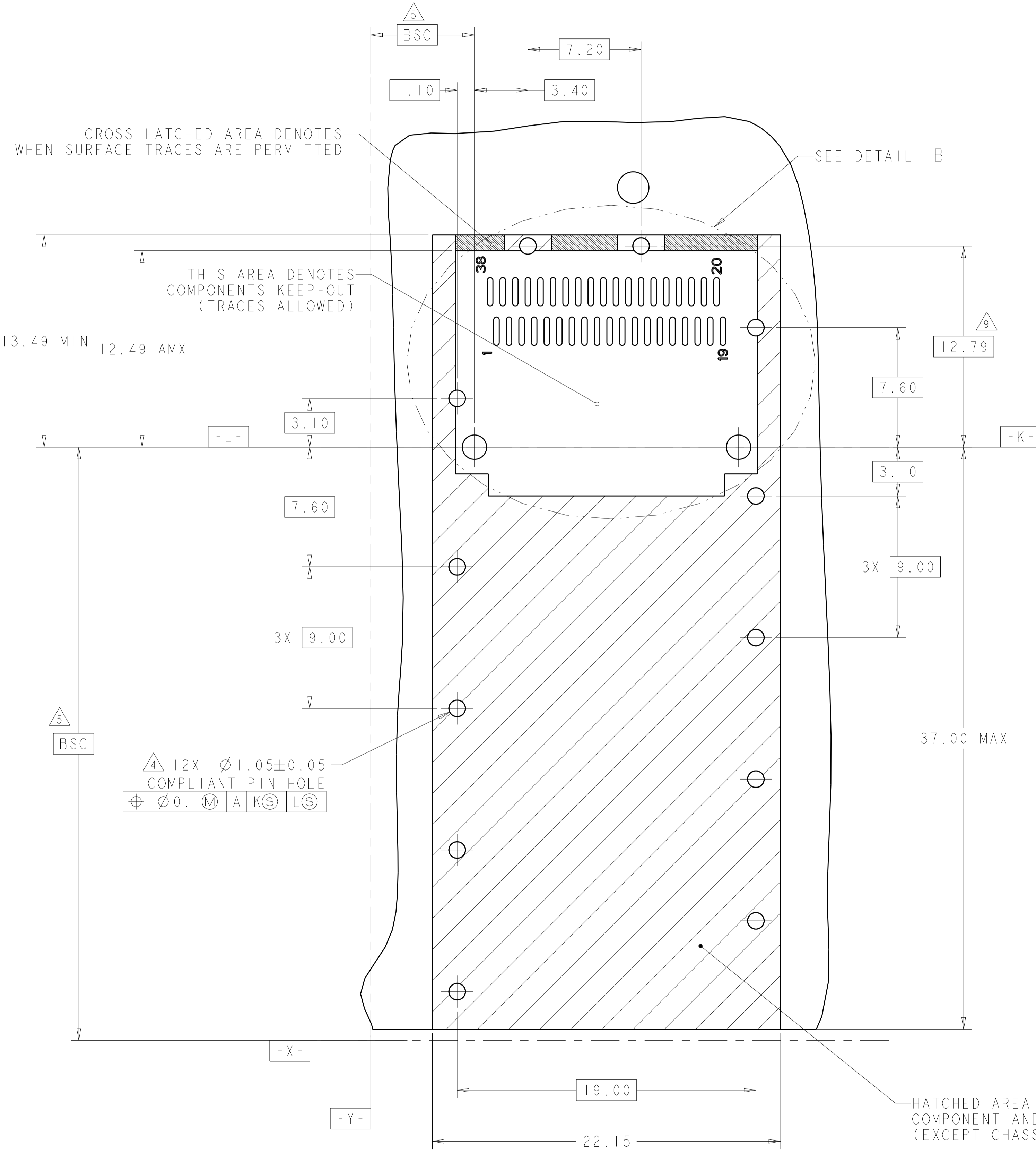


THIS DRAWING IS A CONTROLLED DOCUMENT.

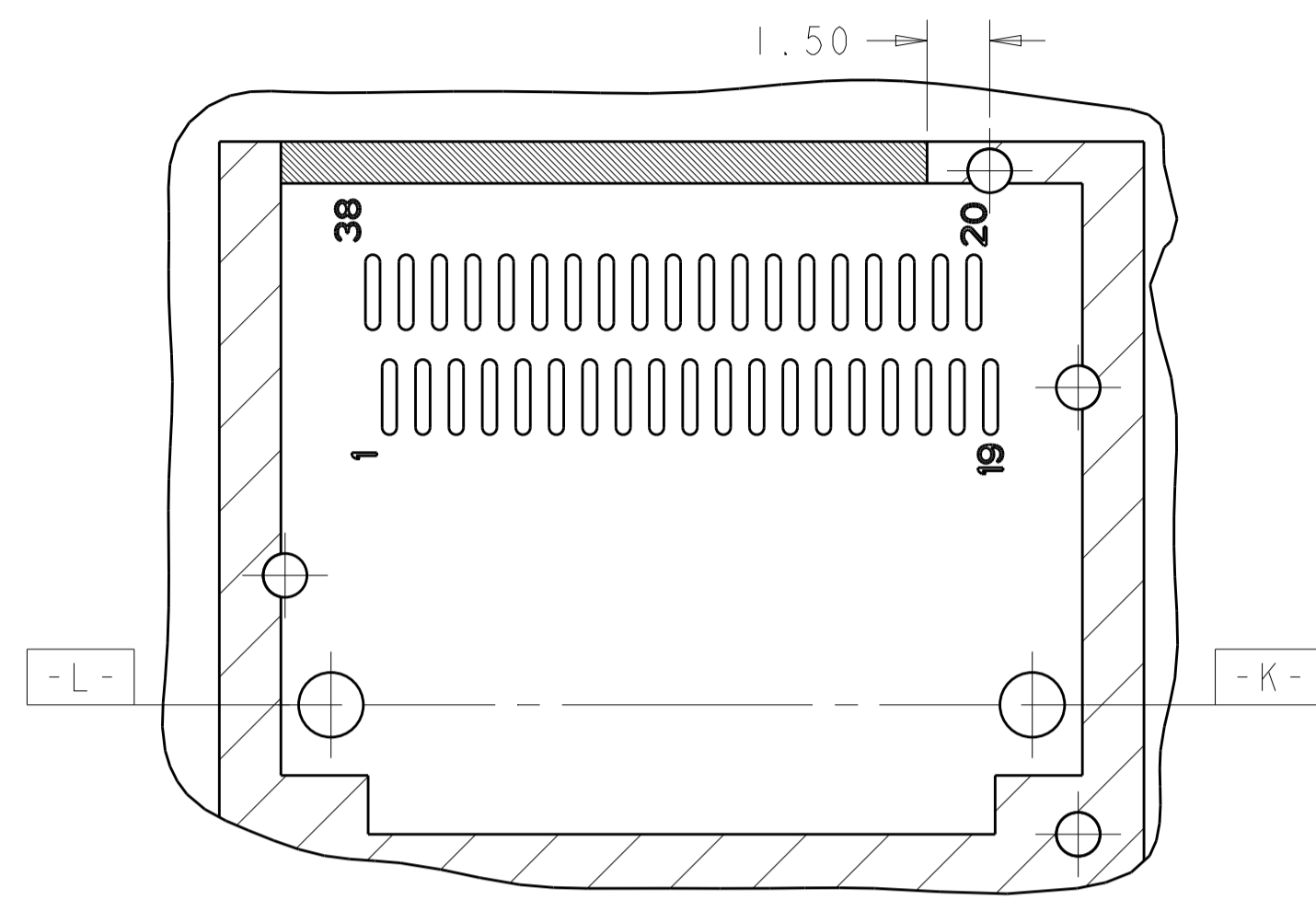
DIMENSIONS:	TOLERANCES UNLESS OTHERWISE SPECIFIED:	OWN: JASON YANG 23SEP2013	CHK: SEAN HAN 29JAN2016	APVD: -
mm	0 PLC ± 0.25 1 PLC ± 0.25 2 PLC ± 0.20 3 PLC ± 0.100 4 PLC ± - ANGLES ± -	PRODUCT SPEC: 108-19428	APPLICATION SPEC: 114-32023	NAME: CAGE ASSEMBLY, QSFP28 1X1 THRU BEZEL WITH EMI SPRING FINGER
MATERIAL: -	FINISH: -	WEIGHT: -	RESTRICTED TO: -	SIZE: A100779
RESTRICTED CUSTOMER		SCALE: 2:1	SHEET: 4 OF 6	REV: C1

TE Connectivity

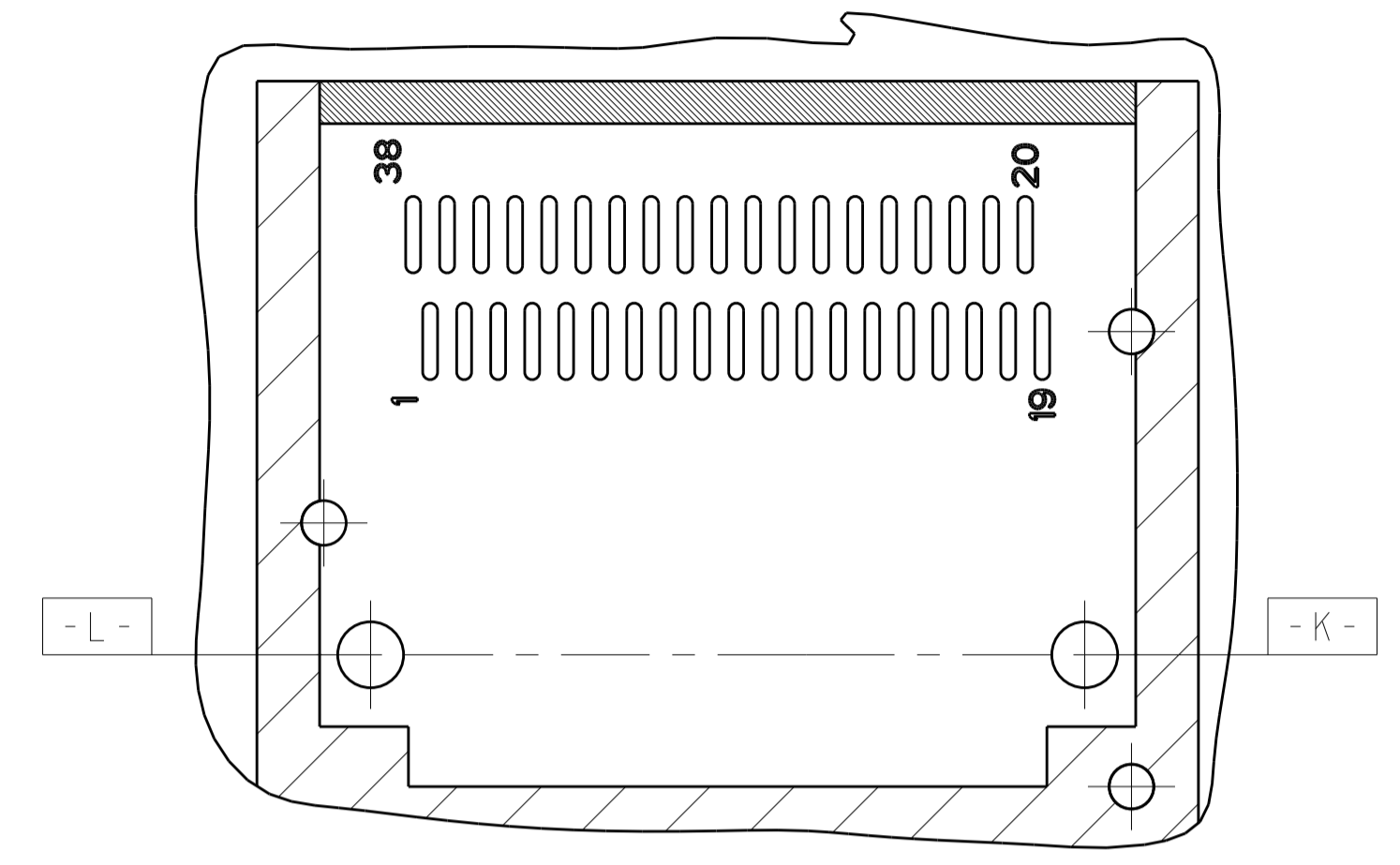
REVISIONS				
P.	LTN	DESCRIPTION	DATE	APVD
-	SEE SHEET 1			



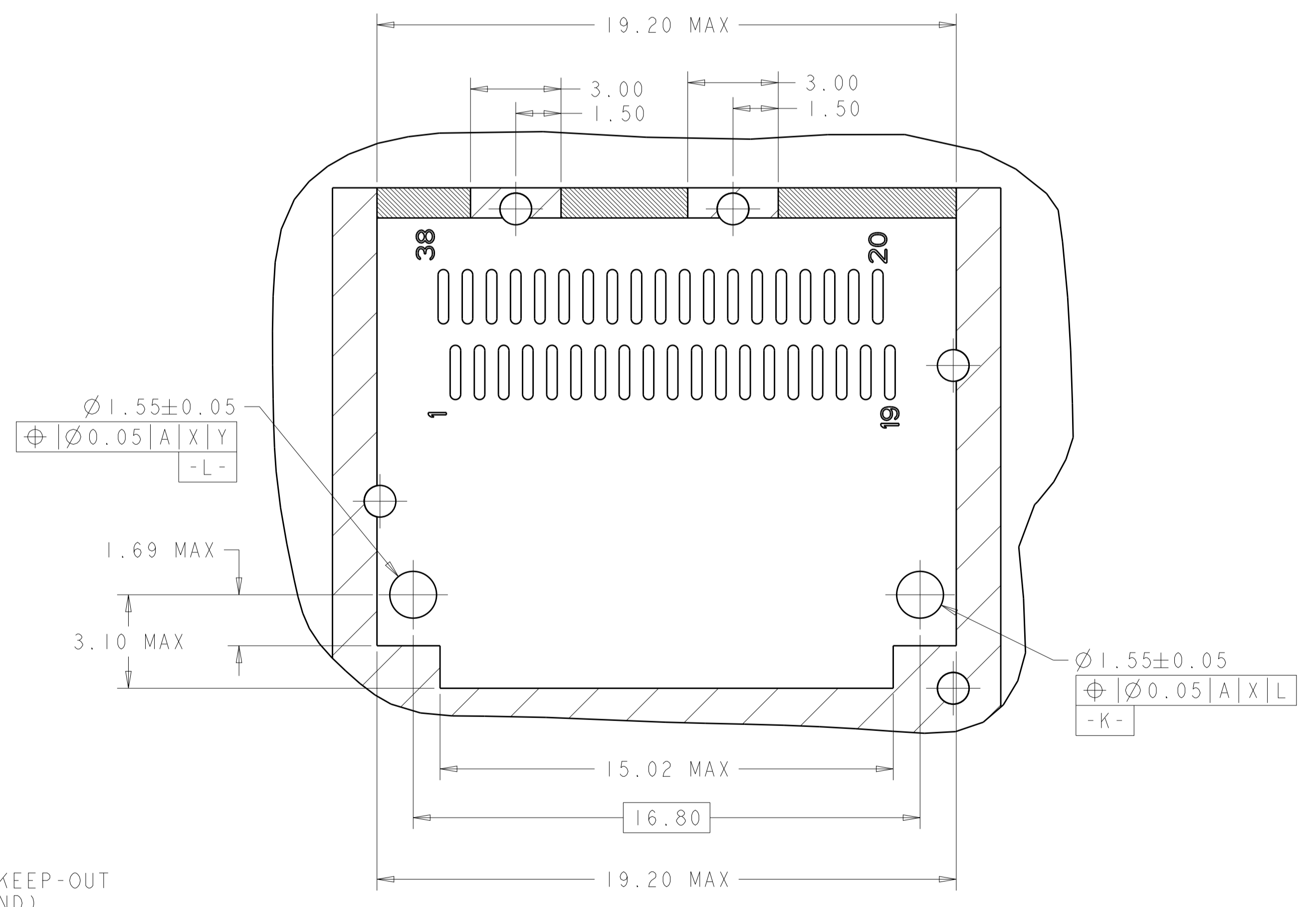
RECOMMENDED PCB LAYOUT
 SINGLE TYPE OF 2 REAR HOLES OF LEGS
 PCB TOLERANCE: ± 0.05
 SCALE 6:1



RECOMMENDED PCB LAYOUT
 SINGLE TYPE OF 1 REAR HOLES OF LEGS
 PCB TOLERANCE: ± 0.05
 SCALE 6:1



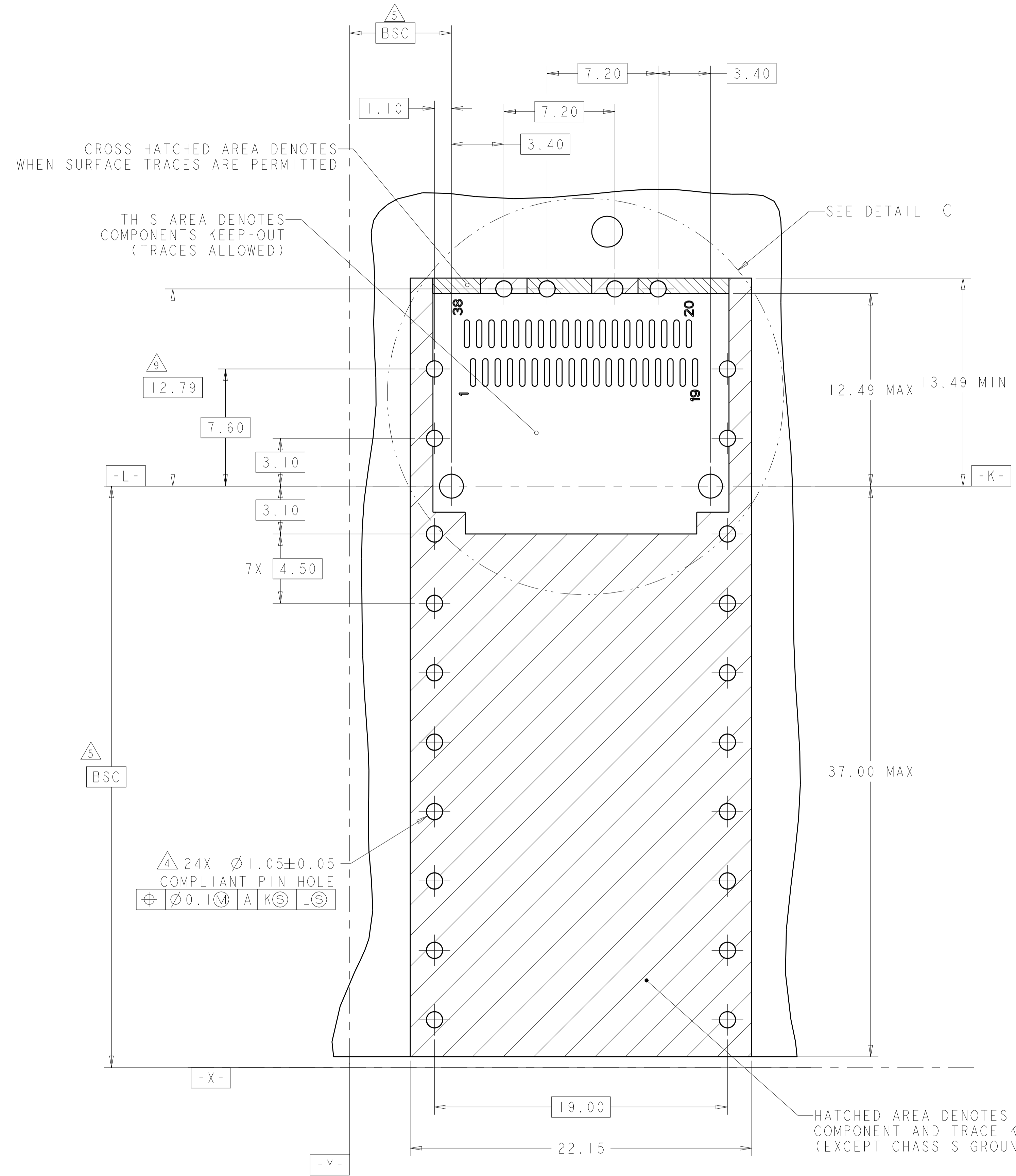
RECOMMENDED PCB LAYOUT
 SINGLE TYPE OF 0 REAR HOLES OF LEGS
 PCB TOLERANCE: ± 0.05
 SCALE 6:1



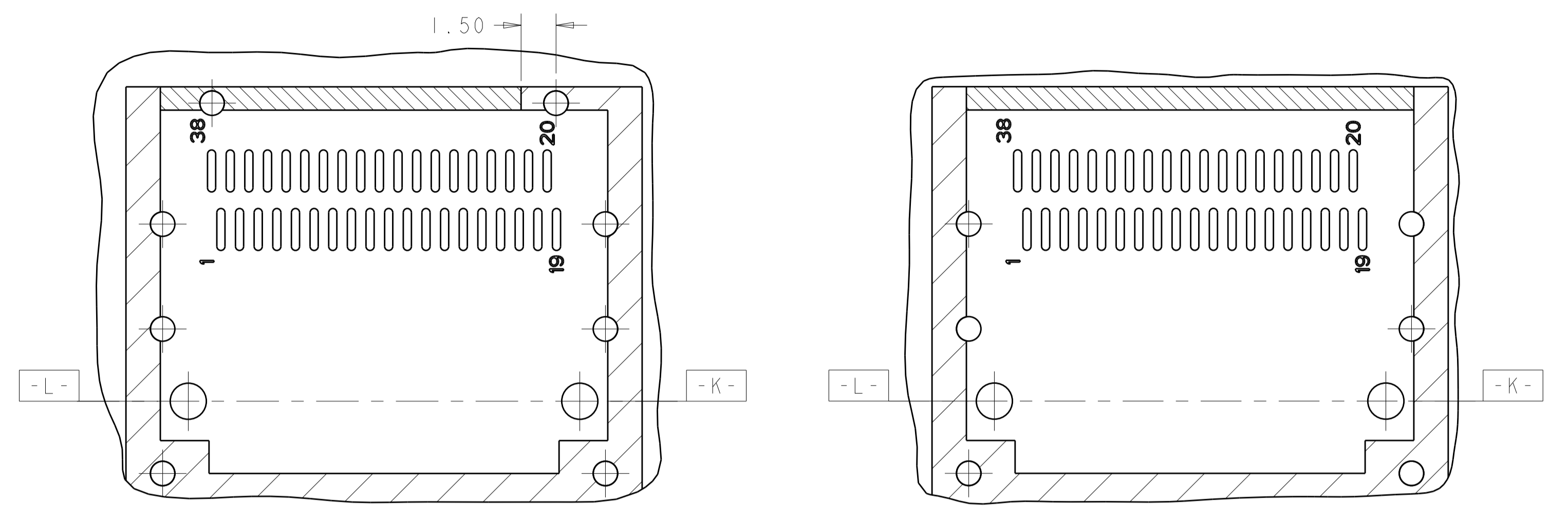
DETAIL B
 SCALE 8:1

THIS DRAWING IS A CONTROLLED DOCUMENT.		DWN: JASON YANG 23SEP2013	TE Connectivity
		CHK: SEAN HAN 29JAN2016	
DIMENSIONS:	TOLERANCES UNLESS OTHERWISE SPECIFIED:	APVD:	NAME:
mm	0 PLC ± 0.25 1 PLC ± 0.25 2 PLC ± 0.25 3 PLC ± 0.25 4 PLC ± 0.100 ANGLES \pm	PRODUCT SPEC	CAGE ASSEMBLY, QSPF28 1X1 THRU BEZEL WITH EMI SPRING FINGER
		APPLICATION SPEC	SIZE: CAGE CODE DRAWING NO
MATERIAL:	FINISH:	WEIGHT:	A100779C= 2170703
		RESTRICTED CUSTOMER	RESTRICTED TO

REVISIONS				
P.	LTN	DESCRIPTION	DATE	APVD
-	-	SEE SHEET 1	-	-

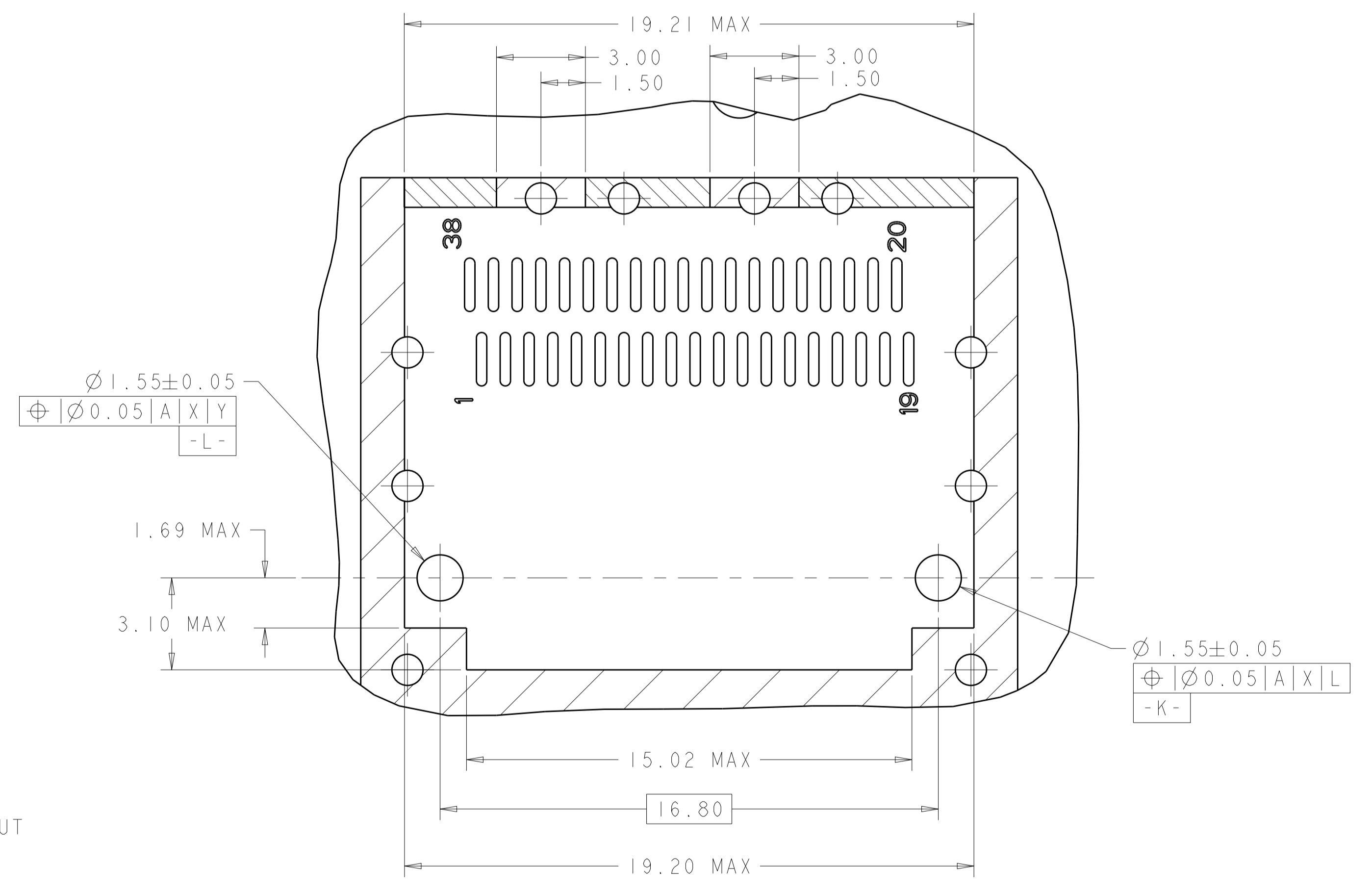


RECOMMENDED PCB LAYOUT
BELLY TO BELLY TYPE OF 2 REAR HOLES OF LEGS
PCB TOLERANCE: ±0.05
SCALE 6:1



RECOMMENDED PCB LAYOUT
BELLY TO BELLY TYPE OF 1 REAR HOLES OF LEGS
PCB TOLERANCE: ±0.05
SCALE 6:1

RECOMMENDED PCB LAYOUT
BELLY TO BELLY TYPE OF 0 REAR HOLES OF LEGS
PCB TOLERANCE: ±0.05
SCALE 6:1



DETAIL C
SCALE 8:1

THIS DRAWING IS A CONTROLLED DOCUMENT.		OWN: JASON YANG 23SEP2013	TE Connectivity
DIMENSIONS: mm		CHK: SEAN HAN 29JAN2016	
TOLERANCES UNLESS OTHERWISE SPECIFIED:		APVD: -	NAME: CAGE ASSEMBLY, QSFP28 1X1 THRU BEZEL WITH EMI SPRING FINGER
0 PLC ± 0.25	1 PLC ± 0.25	PRODUCT SPEC: 108-19428	SIZE: A
2 PLC ± 0.20	3 PLC ± 0.100	APPLICATION SPEC: 114-32023	CAGE CODE: 2170703
4 PLC ± 0.100	ANGLES ±	WEIGHT: -	RESTRICTED TO: -
MATERIAL: -	FINISH: -	RESTRICTED CUSTOMER	SCALE: 2:1 SHEET 6 OF 6 REV: C1