

4

3

2

1

THIS DRAWING IS UNPUBLISHED. RELEASED FOR PUBLICATION 20  
 © COPYRIGHT 20 BY - ALL RIGHTS RESERVED.

REVISIONS				
P	LTR	DESCRIPTION	DATE	APVD
A		RELEASE	31OCT2016	JY SH
B		ADD NEW PN 4-2170808-7	21MAY2019	JY SH

HEAT SINK CLIP  
 HEAT SINK  
 LIGHT PIPE  
 1x2 CAGE ASSEMBLY

2-2170808-1 AS SHOWN  
 SCALE 2:1

- COMPONENTS  
 CAGE ASSEMBLY: NICKEL-SILVER ALLOY  
 HEAT SINK: ALUMINUM/BLACK ANODIZE  
 HEAT SINK CLIP: STAINLESS STEEL  
 EMI SPRING: COPPER ALLOY/NICKEL PLATE  
 LIGHT PIPE: CLEAR POLYCARBONATE
- REFERENCE APPLICATION SPECIFICATION 114-32023 FOR RECOMMENDED DRILL HOLE DIAMETER AND PLATING THICKNESS
- DATUM AND BASIC DIMENSION ESTABLISHED BY CUSTOMER
- DIMENSION APPLIES WITH MODULE INSERTED IN CAGE
- HEAT SINKS, HEAT SINK CLIPS AND LIGHT PIPES ARE SHIPPED ASSEMBLED ON CAGE
- MINIMUM PC BOARD THICKNESS: SINGLE SIDED: 1.57 MIN  
 DOUBLE SIDED: 2.20 MIN
- DATUM **-A-** IS TOP SURFACE OF THE HOST BOARD.
- THESE HOLES ARE OPTIONAL WHEN THE REAR PINS ARE REMOVED.
- MATES WITH QSFP28 MSA COMPATIBLE TRANSCEIVER.
- DATE CODE (YYWWD) MARKED APPROXIMATELY AS SHOWN.
- NOTED DIMENSIONS ONLY APPLY TO CAGE ASSEMBLY WITH LIGHT PIPE.
- PRELIMINARY PART - NOT RELEASED FOR PRODUCTION.

38.50 REF  
 2X 18.75±0.10  
 2X 8.90±0.10  
 7.88 18.50  
 REAR PIN OPTIONAL

SCALE 2:1

67.75 REF  
 B REF  
 12.79 REF 11.60 REF 9.65 REF  
 13.40 4.50  
 1.01 A MAX 15.11 REF  
 2.05 TYP  
 OF GUIDE POST  
 SECTION A-A  
 D-D

3.0 MAX

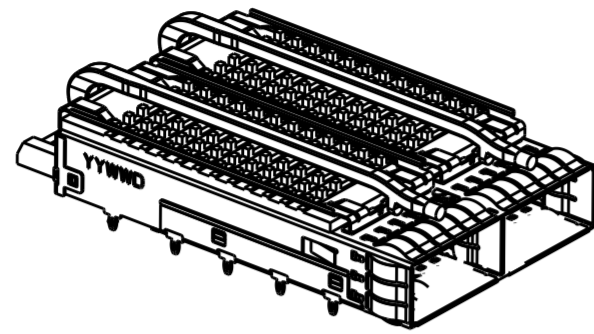
DETAIL E  
 SCALE 4:1

THIS DRAWING IS A CONTROLLED DOCUMENT.		DWN BING LIU 16SEP2014	<b>STE</b> TE Connectivity	
		CHK JASON YANG 16SEP2014		
DIMENSIONS: mm	TOLERANCES UNLESS OTHERWISE SPECIFIED:	APVD -	NAME RECEPTACLE CAGE ASSEMBLY 1X2, QSFP28, THRU BEZEL, SPRING WITH HEAT SINKS AND LIGHT PIPES	RESTRICTED TO
	0 PLC ± 1 PLC ±0.25 2 PLC ±0.2 3 PLC ± 4 PLC ±	PRODUCT SPEC 108-19428	SIZE A200779	CAGE CODE C-2170808
MATERIAL SEE NOTES	ANGLES ± FINISH ±	APPLICATION SPEC 114-32023	DRAWING NO	
		WEIGHT -	SCALE 1:1	SHEET 1 OF 9
		CUSTOMER DRAWING		REV B

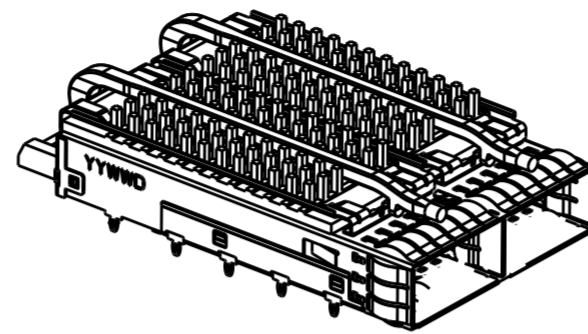
1471-9 (3/13)

REVISIONS				
P	LTR	DESCRIPTION	DATE	APVD
-		SEE SHEET 1	-	-

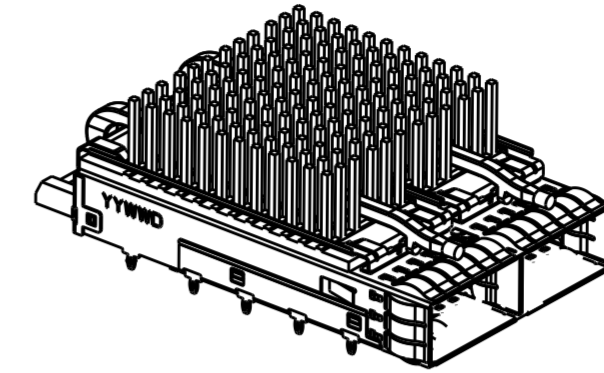
# HEAT SINK OPTION



PCI HEAT SINK HEIGHT  
SCALE 1:1

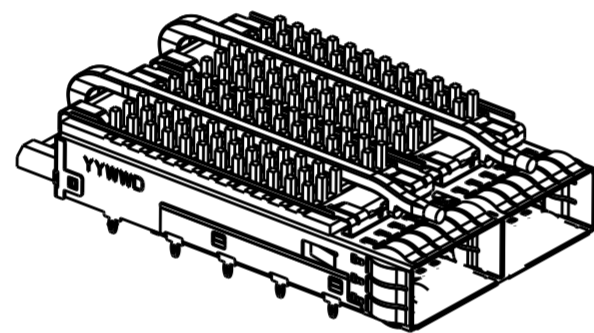


SAN HEAT SINK HEIGHT  
SCALE 1:1

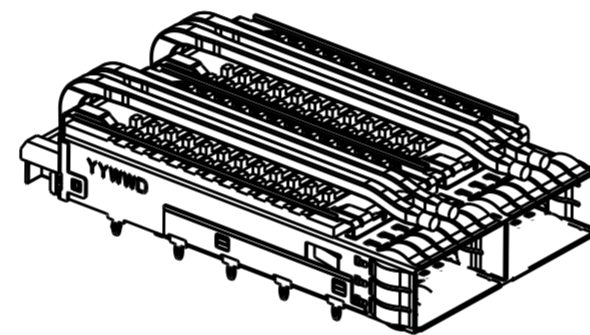


NETWORKING HEAT SINK HEIGHT  
SCALE 1:1

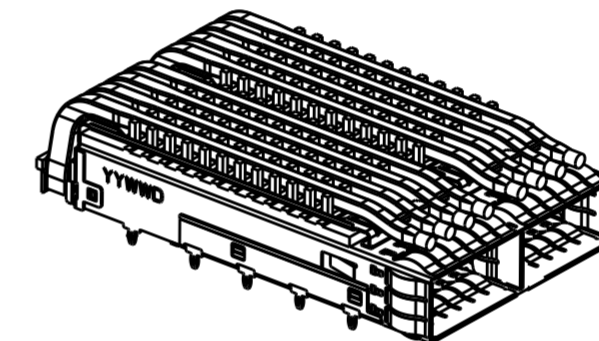
# LIGHT PIPE OPTION



SINGLE LIGHT PIPE  
SCALE 1:1

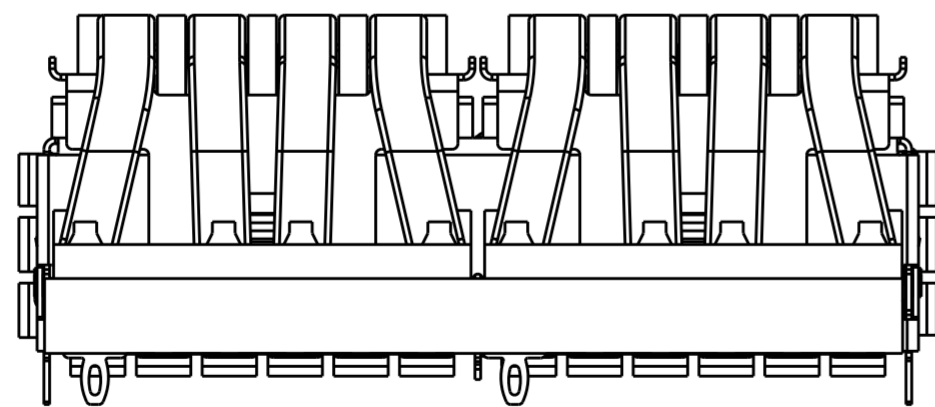


DUAL LIGHT PIPE  
SCALE 1:1

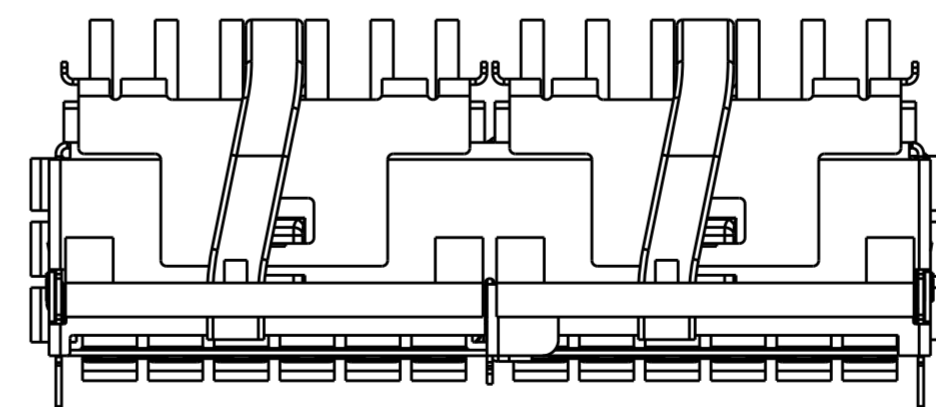


QUAD LIGHT PIPE  
SCALE 1:1

# # OF REAR PIN OPTION



1 REAR PIN  
SCALE 3:1



0 REAR PIN  
SCALE 3:1


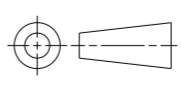
THIS DRAWING IS A CONTROLLED DOCUMENT.		DWN BING LIU 16SEP2014	TE Connectivity	
		CHK JASON YANG 16SEP2014		
DIMENSIONS: mm		APVD -		NAME RECEPTACLE CAGE ASSEMBLY 1X2, QSFP28, THRU BEZEL, SPRING WITH HEAT SINKS AND LIGHT PIPES
TOLERANCES UNLESS OTHERWISE SPECIFIED: 0 PLC ± 1 PLC ±0.25 2 PLC ±0.2 3 PLC ± 4 PLC ± ANGLES ± FINISH		PRODUCT SPEC 108-19428		SIZE 114-32023
MATERIAL SEE NOTES		APPLICATION SPEC 114-32023		RESTRICTED TO -
		WEIGHT -		SCALE 1:1
		CUSTOMER DRAWING		SHEET 2 OF 9
				REV B

THIS DRAWING IS UNPUBLISHED. RELEASED FOR PUBLICATION 20  
 © COPYRIGHT 20 BY - ALL RIGHTS RESERVED.

REVISIONS					
P	LTR	DESCRIPTION	DATE	DWN	APVD
-		SEE SHEET 1	-	-	-

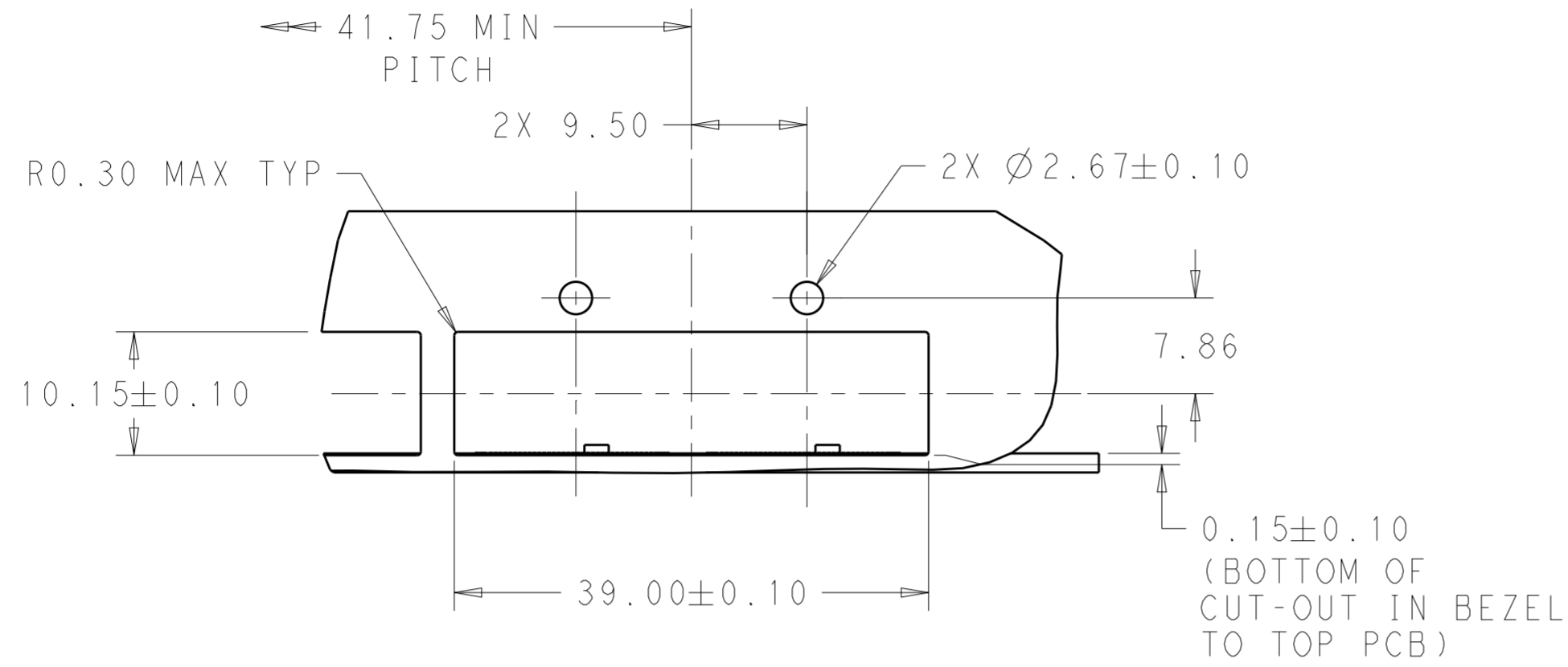
0	3.4	16.0	SAN	COATED QUAD LP	5-2170808-5
1	2.9	18.4	CUSTOMIZED	QUAD LP	4-2170808-7
0	2.9	23.0	NETWORKING	QUAD LP	4-2170808-6
0	2.9	16.0	SAN	QUAD LP	4-2170808-5
0	2.9	13.7	PCI	QUAD LP	4-2170808-4
1	2.9	23.0	NETWORKING	QUAD LP	4-2170808-3
1	2.9	16.0	SAN	QUAD LP	4-2170808-2
1	2.9	13.7	PCI	QUAD LP	4-2170808-1
1	4.5	13.7	PCI	SHORTER, QUAD LP	4-2170808-0
0	2.9	23.0	NETWORKING	DUAL LP	2-2170808-6
0	2.9	16.0	SAN	DUAL LP	2-2170808-5
0	2.9	13.7	PCI	DUAL LP	2-2170808-4
1	2.9	23.0	NETWORKING	DUAL LP	2-2170808-3
1	2.9	16.0	SAN	DUAL LP	2-2170808-2
1	2.9	13.7	PCI	DUAL LP	2-2170808-1
0	2.9	23.0	NETWORKING	SINGLE LP	2170808-6
0	2.9	16.0	SAN	SINGLE LP	2170808-5
0	2.9	13.7	PCI	SINGLE LP	2170808-4
1	2.9	23.0	NETWORKING	SINGLE LP	2170808-3
1	2.9	16.0	SAN	SINGLE LP	2170808-2
1	2.9	13.7	PCI	SINGLE LP	2170808-1
# OF REAR PIN	DIM B (LP EXTRUDE)	DIM A (PRODUCT HEIGHT)	APPLICATION	LIGHT PIPE OPTION	PART NUMBER



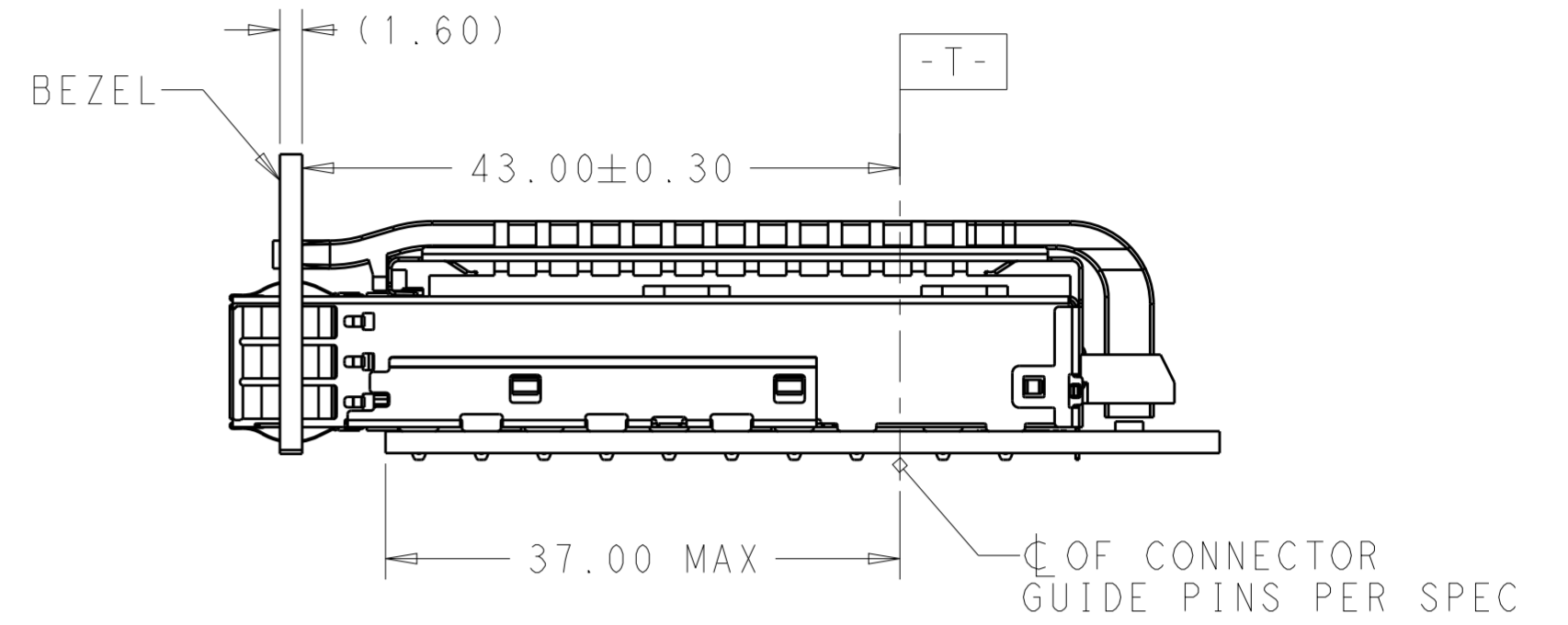
THIS DRAWING IS A CONTROLLED DOCUMENT.		DWN BING LIU 16SEP2014	 TE Connectivity	
		CHK JASON YANG 16SEP2014		
DIMENSIONS: mm	TOLERANCES UNLESS OTHERWISE SPECIFIED:	APVD -	NAME RECEPTACLE CAGE ASSEMBLY 1X2, QSFP28, THRU BEZEL, SPRING WITH HEAT SINKS AND LIGHT PIPES	
	0 PLC ± 1 PLC ±0.25 2 PLC ±0.2 3 PLC ± 4 PLC ±	PRODUCT SPEC 108-19428	SIZE A200779	CAGE CODE C-2170808
	ANGLES ± FINISH	APPLICATION SPEC 114-32023	DRAWING NO	RESTRICTED TO
MATERIAL SEE NOTES	SEE NOTES	WEIGHT -	SCALE 1:1 SHEET 3 OF 9 REV B	
		CUSTOMER DRAWING		

THIS DRAWING IS UNPUBLISHED. RELEASED FOR PUBLICATION 20  
 © COPYRIGHT 20 BY - ALL RIGHTS RESERVED.

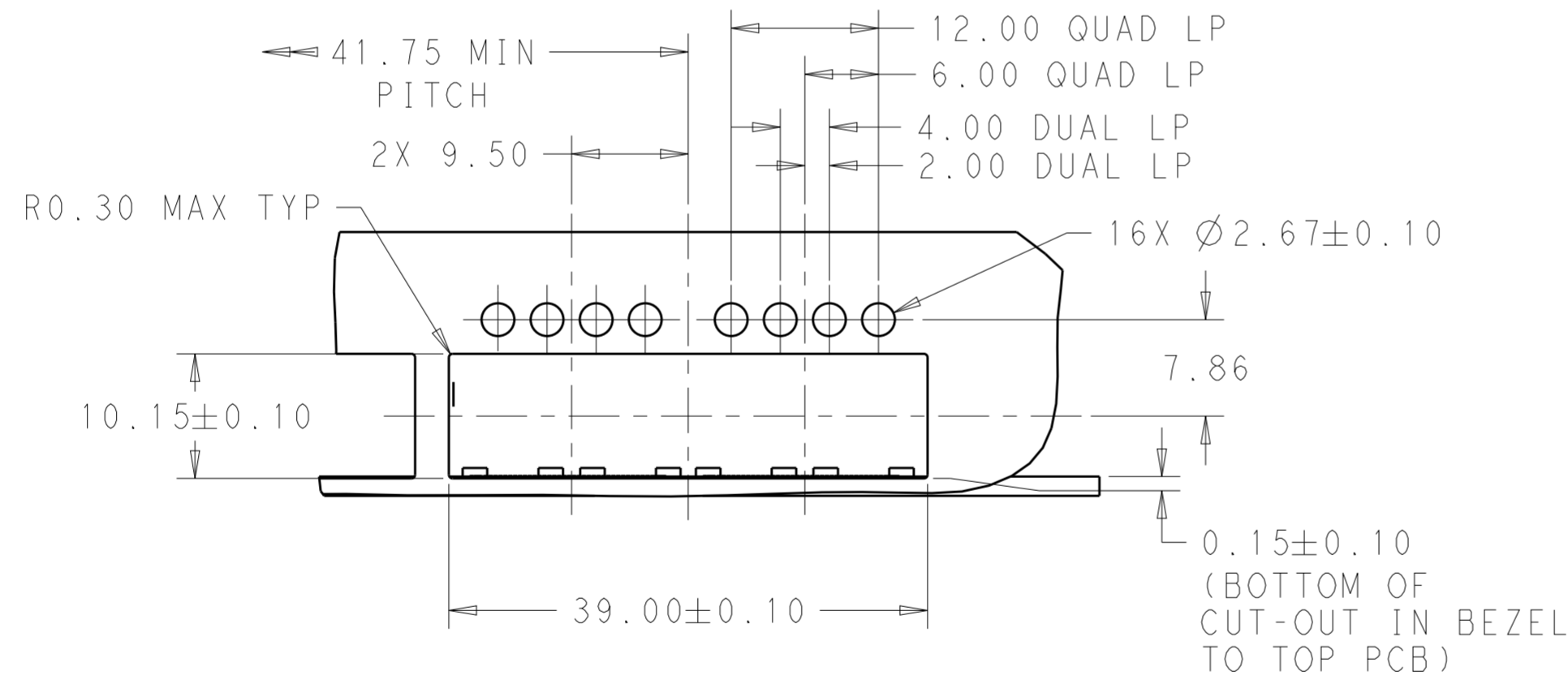
REVISIONS				
P	LTR	DESCRIPTION	DATE	APVD
-	-	SEE SHEET 1	-	-



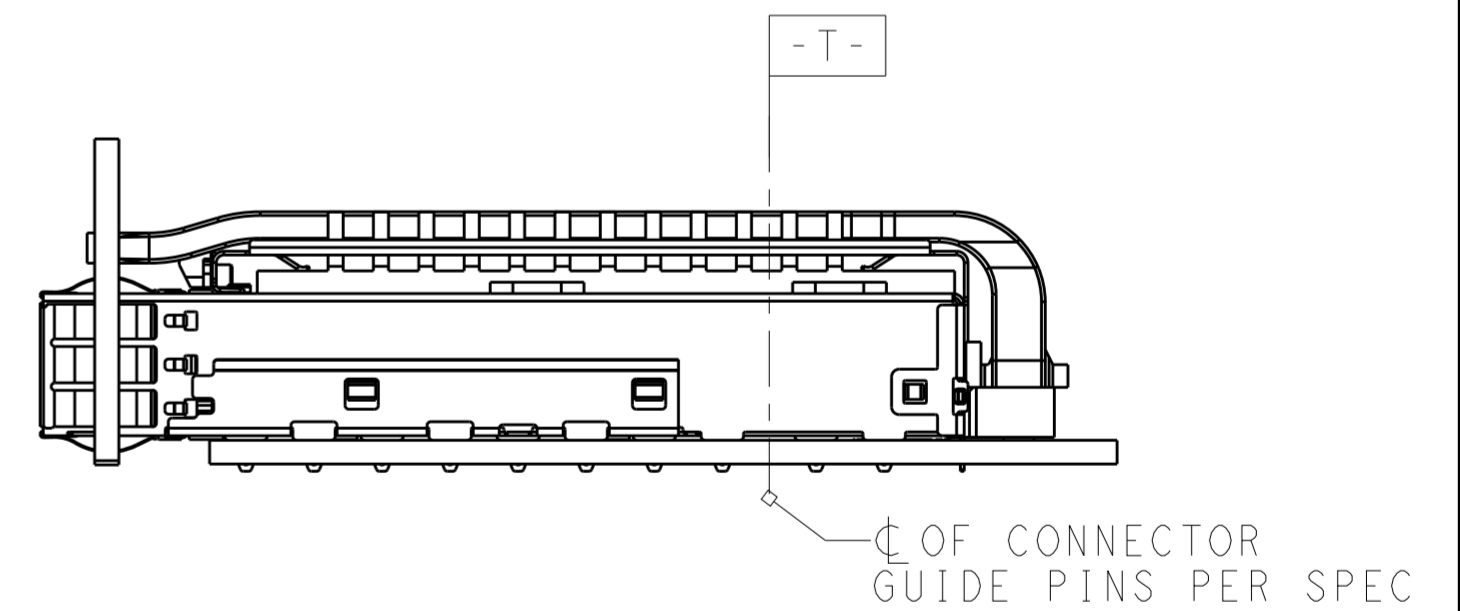
CAGE ASSEMBLY IS OMITED



SINGLE SIDE MOUNTING  
SCALE 2:1



CAGE ASSEMBLY IS OMITED

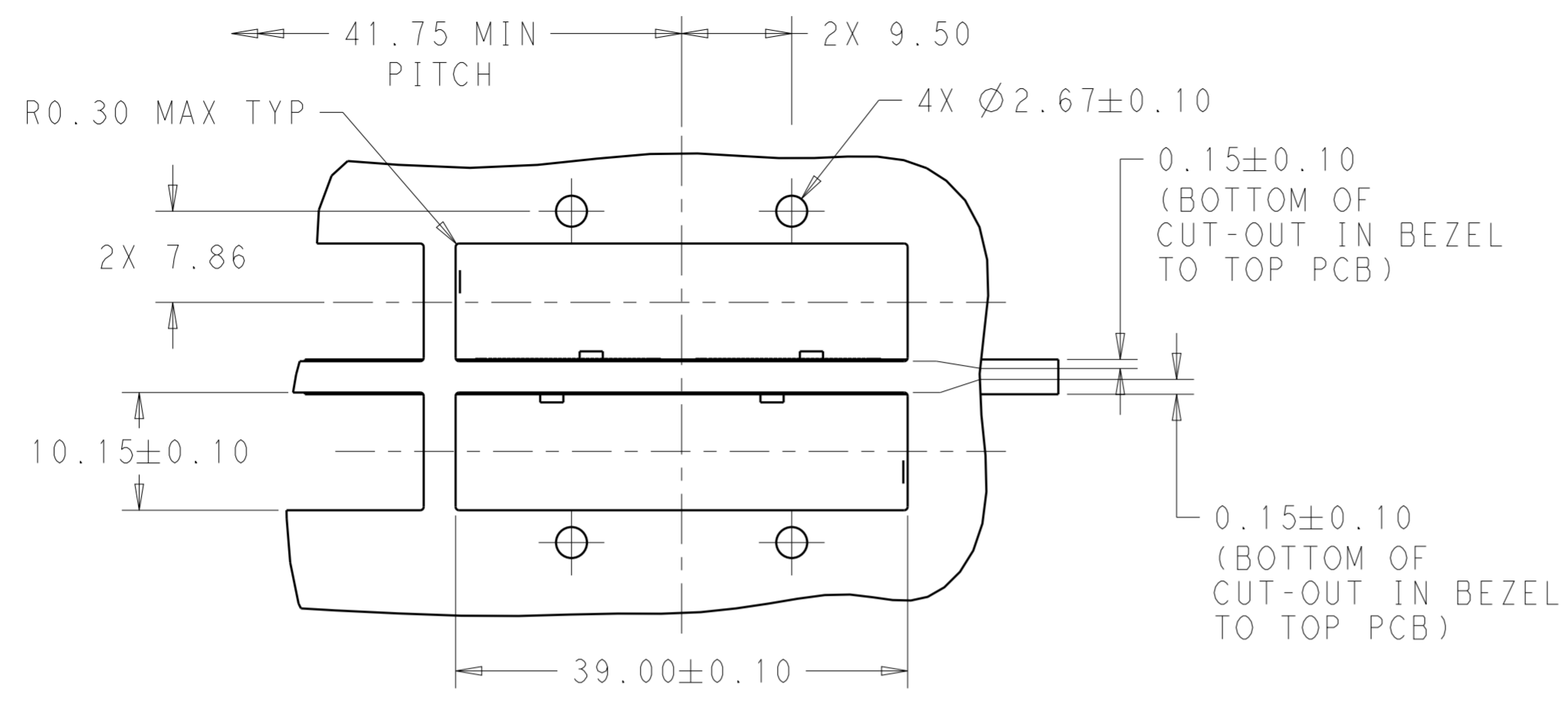


SINGLE SIDE MOUNTING  
SCALE 2:1

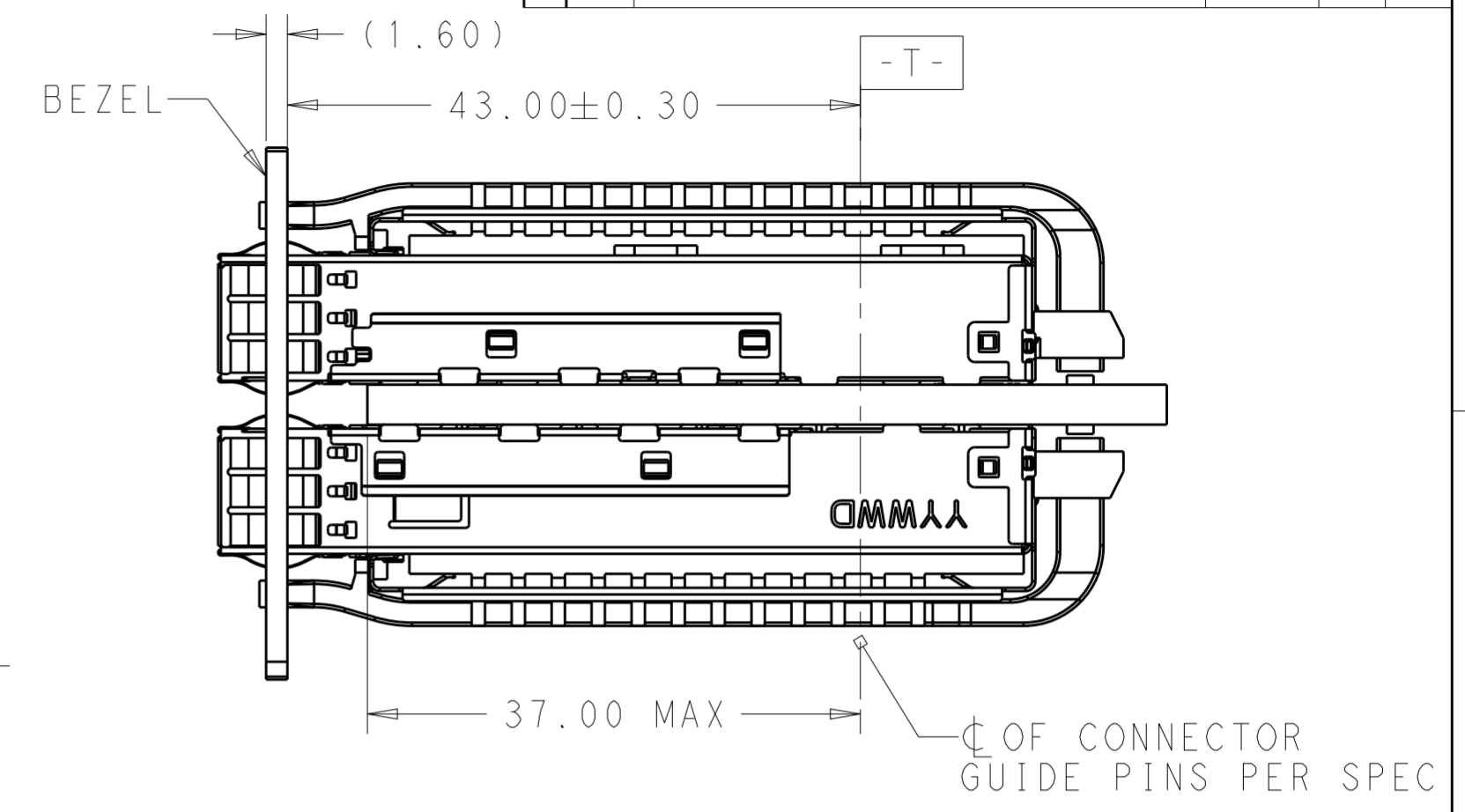
THIS DRAWING IS A CONTROLLED DOCUMENT.		DWN BING LIU 16SEP2014	TE Connectivity	
		CHK JASON YANG 16SEP2014		
DIMENSIONS:	TOLERANCES UNLESS OTHERWISE SPECIFIED:	APVD	NAME	
mm	0 PLC ± 1 PLC ±0.25 2 PLC ±0.2 3 PLC ± 4 PLC ± ANGLES ± FINISH	-	RECEPTACLE CAGE ASSEMBLY 1X2, QSFP28, THRU BEZEL, SPRING WITH HEAT SINKS AND LIGHT PIPES	
MATERIAL	SEE NOTES	PRODUCT SPEC 108-19428	SIZE	RESTRICTED TO
-	SEE NOTES	APPLICATION SPEC 114-32023	A200779	-
		WEIGHT	C-2170808	
		CUSTOMER DRAWING	SCALE 1:1	SHEET 4 OF 9 REV B

THIS DRAWING IS UNPUBLISHED. RELEASED FOR PUBLICATION 20  
 © COPYRIGHT 20 BY - ALL RIGHTS RESERVED.

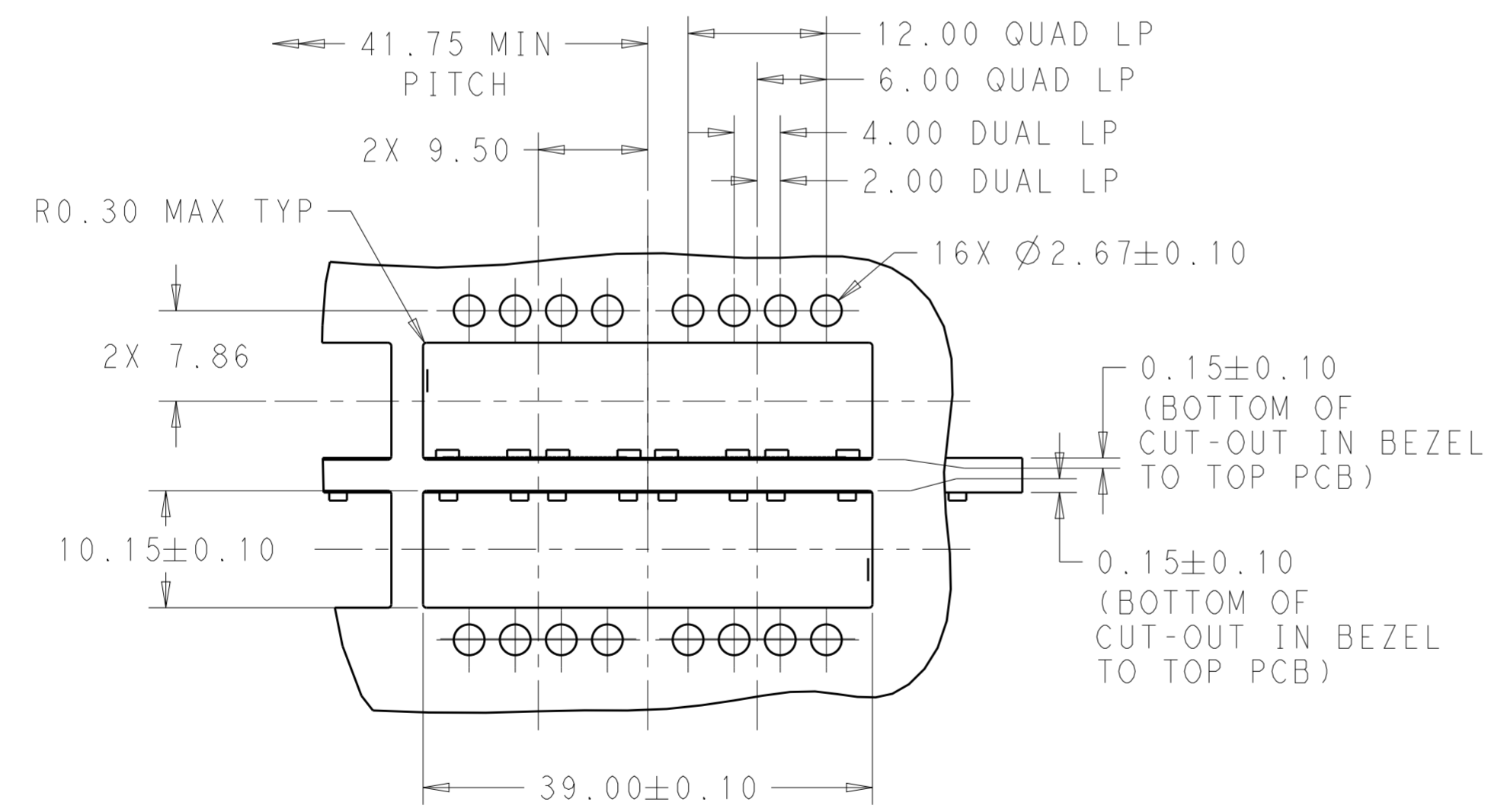
REVISIONS				
P	LTR	DESCRIPTION	DATE	APVD
-	-	SEE SHEET 1	-	-



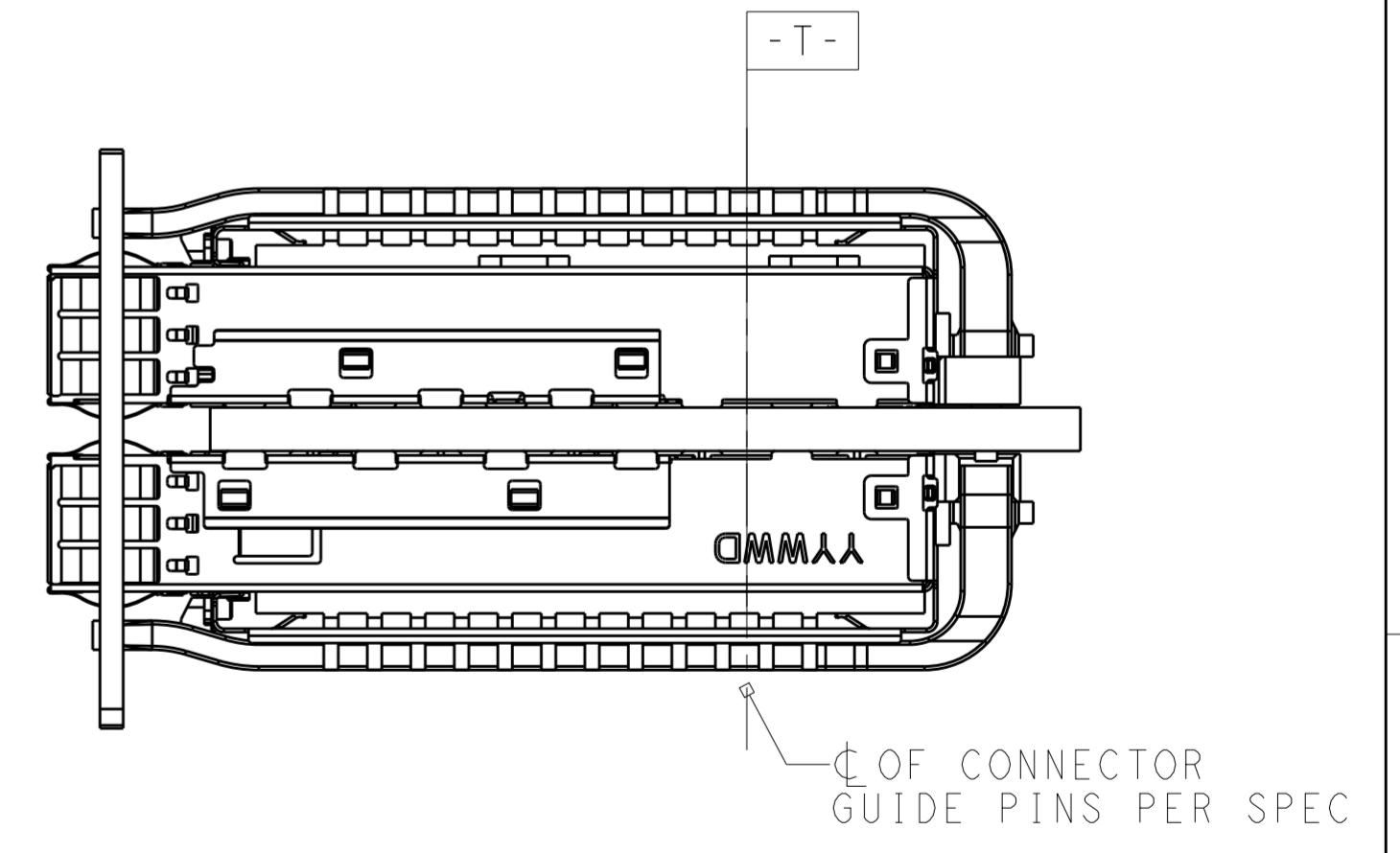
CAGE ASSEMBLY IS OMITED



BELLY TO BELLY MOUNTING  
SCALE 2:1



CAGE ASSEMBLY IS OMITED

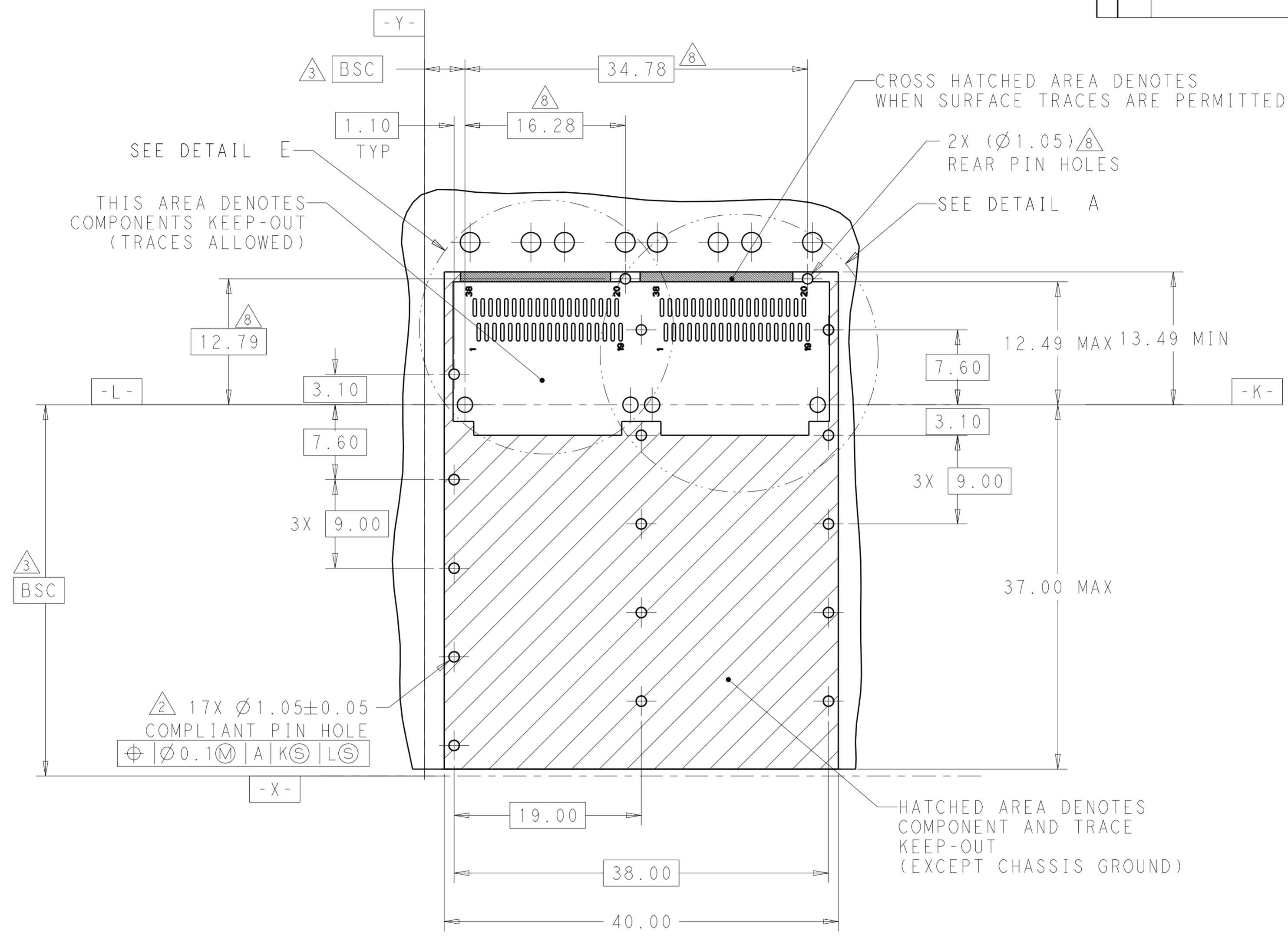


BELLY TO BELLY MOUNTING  
SCALE 2:1

THIS DRAWING IS A CONTROLLED DOCUMENT.		DWN BING LIU 16SEP2014	TE Connectivity	
		CHK JASON YANG 16SEP2014		
DIMENSIONS: mm		APVD -	NAME RECEPTACLE CAGE ASSEMBLY	
TOLERANCES UNLESS OTHERWISE SPECIFIED:		PRODUCT SPEC 108-19428	1X2, QSFP28, THRU BEZEL, SPRING WITH HEAT SINKS AND LIGHT PIPES	
0 PLC ±		APPLICATION SPEC 114-32023	SIZE A200779	DRAWING NO C-2170808
1 PLC ±0.25		WEIGHT -	RESTRICTED TO	
2 PLC ±0.2		CUSTOMER DRAWING	SCALE 1:1	SHEET 5 OF 9
3 PLC ±				REV B
4 PLC ±				
ANGLES ±				
FINISH				
MATERIAL SEE NOTES				
SEE NOTES				

THIS DRAWING IS UNPUBLISHED. RELEASED FOR PUBLICATION 20  
 © COPYRIGHT 20 BY - ALL RIGHTS RESERVED.

REVISIONS				
P	LTR	DESCRIPTION	DATE	APVD
-	-	SEE SHEET 1	-	-

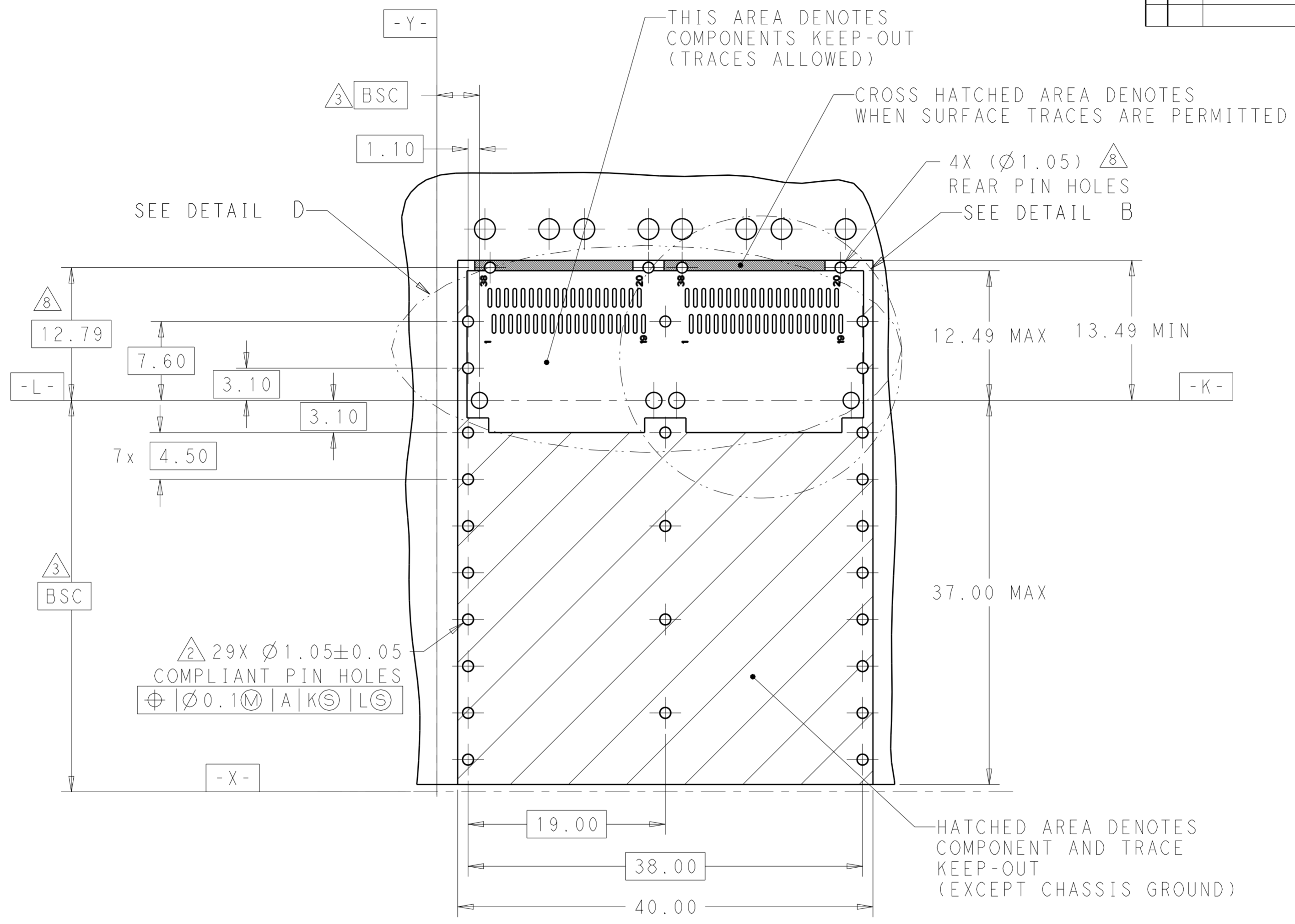


RECOMMENDED PCB LAYOUT  
 SINGLE TYPE  
 PCB TOLERANCE: ±0.05  
 SCALE 3:1

THIS DRAWING IS A CONTROLLED DOCUMENT.		DWN BING LIU 16SEP2014	TE Connectivity	
		CHK JASON YANG 16SEP2014		
DIMENSIONS: mm		APVD -		NAME RECEPTACLE CAGE ASSEMBLY
TOLERANCES UNLESS OTHERWISE SPECIFIED:		PRODUCT SPEC 108-19428		1X2, QSFP28, THRU BEZEL, SPRING WITH HEAT SINKS AND LIGHT PIPES
0 PLC ±-	1 PLC ±0.25	APPLICATION SPEC 114-32023		SIZE A2
2 PLC ±0.2	3 PLC ±-	WEIGHT -		CAGE CODE C-2170808
4 PLC ±-	ANGLES ±-	CUSTOMER DRAWING		DRAWING NO G-2170808
MATERIAL SEE NOTES	FINISH SEE NOTES	SCALE 1:1		RESTRICTED TO -
		SHEET 6 OF 9		REV B

THIS DRAWING IS UNPUBLISHED. RELEASED FOR PUBLICATION 20  
 © COPYRIGHT 20 BY - ALL RIGHTS RESERVED.

REVISIONS				
P	LTR	DESCRIPTION	DATE	APVD
-	-	SEE SHEET 1	-	-

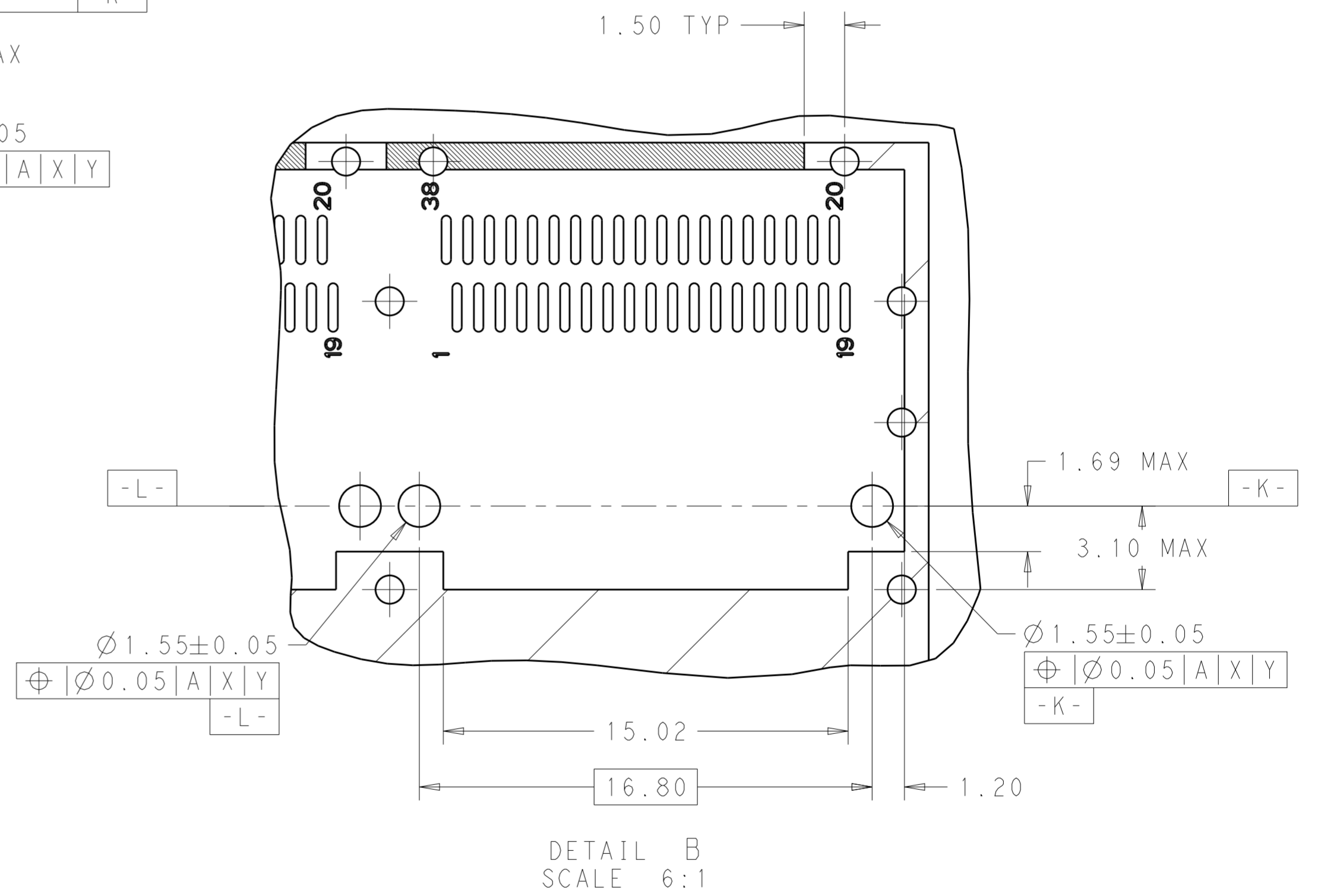
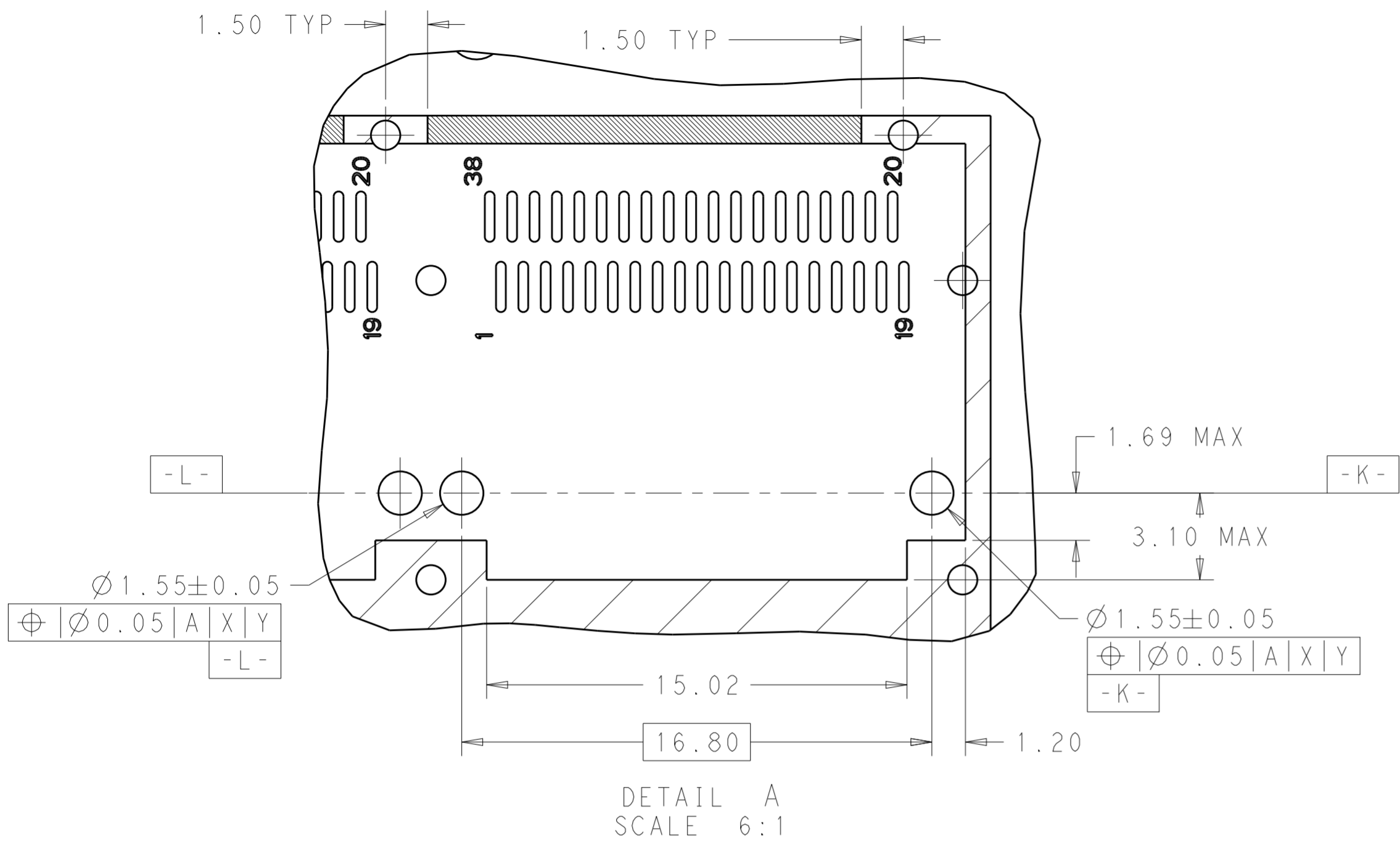


RECOMMENDED PCB LAYOUT  
 BELLY TO BELLY TYPE  
 PCB TOLERANCE: ±0.05  
 SCALE 3:1

THIS DRAWING IS A CONTROLLED DOCUMENT.		DWN BING LIU 16SEP2014	TE Connectivity	
		CHK JASON YANG 16SEP2014		
DIMENSIONS: mm		APVD -		NAME RECEPTACLE CAGE ASSEMBLY 1X2, QSFP28, THRU BEZEL, SPRING WITH HEAT SINKS AND LIGHT PIPES
TOLERANCES UNLESS OTHERWISE SPECIFIED: 0 PLC ± 1 PLC ±0.25 2 PLC ±0.2 3 PLC ± 4 PLC ± ANGLES ± FINISH		PRODUCT SPEC 108-19428		SIZE A200779
MATERIAL SEE NOTES		APPLICATION SPEC 114-32023		DRAWING NO C-2170808
		WEIGHT -		RESTRICTED TO -
		CUSTOMER DRAWING		SCALE 1:1 SHEET 7 OF 9 REV B

THIS DRAWING IS UNPUBLISHED. RELEASED FOR PUBLICATION 20  
 © COPYRIGHT 20 BY - ALL RIGHTS RESERVED.

REVISIONS				
P	LTR	DESCRIPTION	DATE	APVD
-	-	SEE SHEET 1	-	-

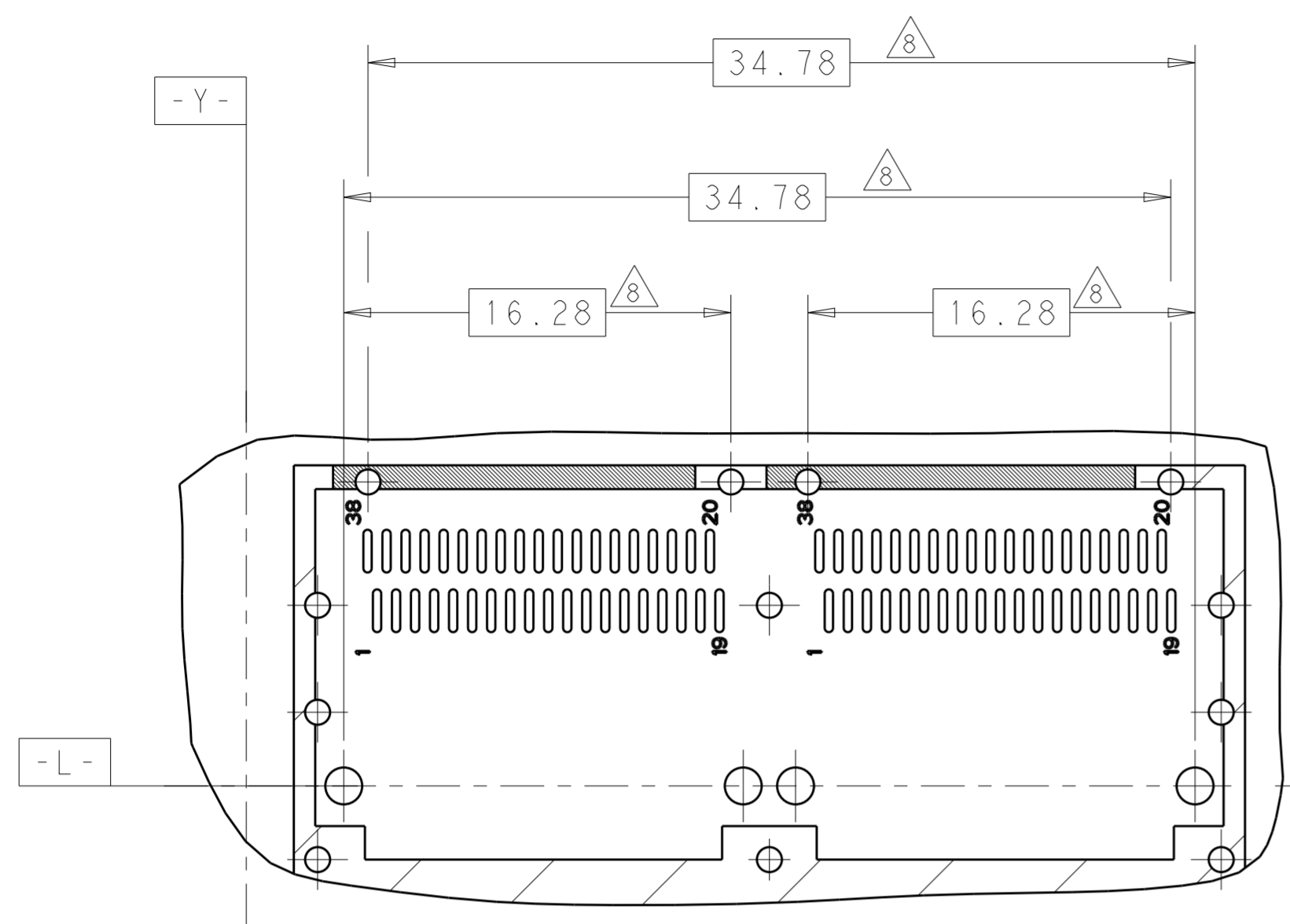


THIS DRAWING IS A CONTROLLED DOCUMENT.		DWN BING LIU 16SEP2014	<b>STE</b> TE Connectivity
		CHK JASON YANG 16SEP2014	
DIMENSIONS: mm	TOLERANCES UNLESS OTHERWISE SPECIFIED: 0 PLC ± 1 PLC ±0.25 2 PLC ±0.2 3 PLC ± 4 PLC ± ANGLES ± FINISH	APVD -	NAME RECEPTACLE CAGE ASSEMBLY 1X2, QSFP28, THRU BEZEL, SPRING WITH HEAT SINKS AND LIGHT PIPES
MATERIAL SEE NOTES	SEE NOTES	PRODUCT SPEC 108-19428	SIZE A200779
		APPLICATION SPEC 114-32023	DRAWING NO C-2170808
		WEIGHT -	RESTRICTED TO -
		CUSTOMER DRAWING	SCALE 1:1 SHEET 8 OF 9 REV B

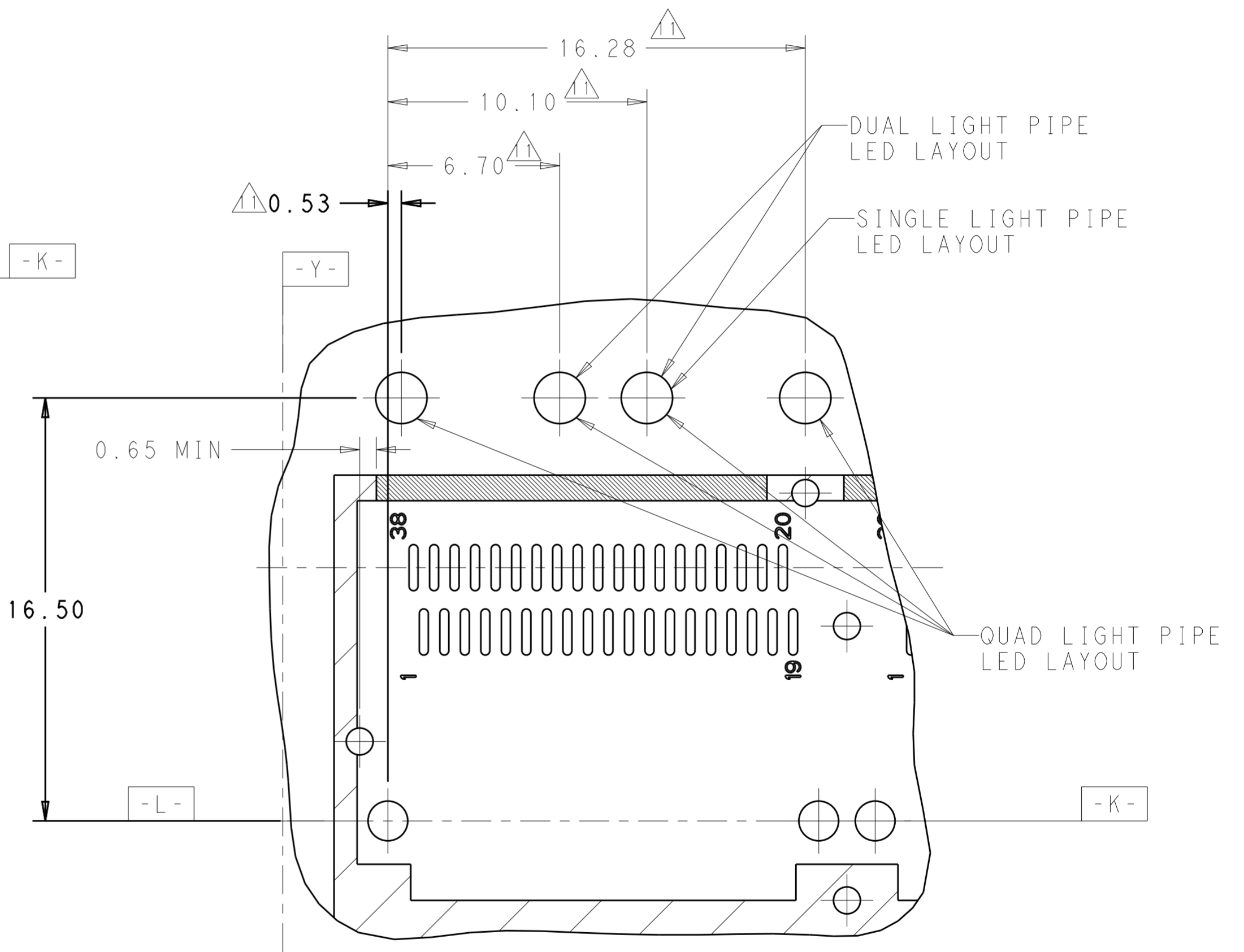


THIS DRAWING IS UNPUBLISHED. RELEASED FOR PUBLICATION 20  
 © COPYRIGHT 20 BY - ALL RIGHTS RESERVED.

REVISIONS				
P	LTR	DESCRIPTION	DATE	APVD
-	-	SEE SHEET 1	-	-



DETAIL D  
SCALE 4:1



DETAIL E  
SCALE 6:1

THIS DRAWING IS A CONTROLLED DOCUMENT.		DWN BING LIU 16SEP2014	<b>STE</b> TE Connectivity
		CHK JASON YANG 16SEP2014	
DIMENSIONS: mm	TOLERANCES UNLESS OTHERWISE SPECIFIED:	APVD -	NAME RECEPTACLE CAGE ASSEMBLY 1X2, QSFP28, THRU BEZEL, SPRING WITH HEAT SINKS AND LIGHT PIPES
0 PLC ±	1 PLC ±0.25	PRODUCT SPEC 108-19428	SIZE A200779
2 PLC ±0.2	3 PLC ±	APPLICATION SPEC 114-32023	CAGE CODE C-2170808
4 PLC ±	ANGLES ±	WEIGHT -	DRAWING NO -
MATERIAL SEE NOTES	FINISH SEE NOTES	CUSTOMER DRAWING	RESTRICTED TO -
		SCALE 1:1	SHEET 9 OF 9
			REV B