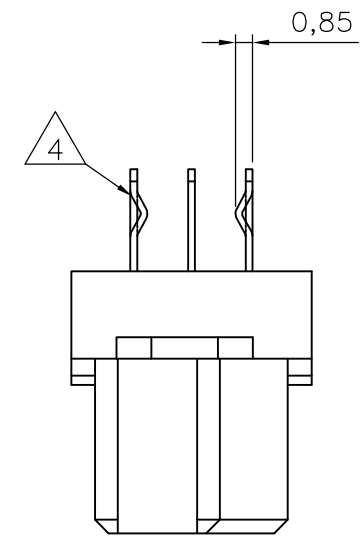
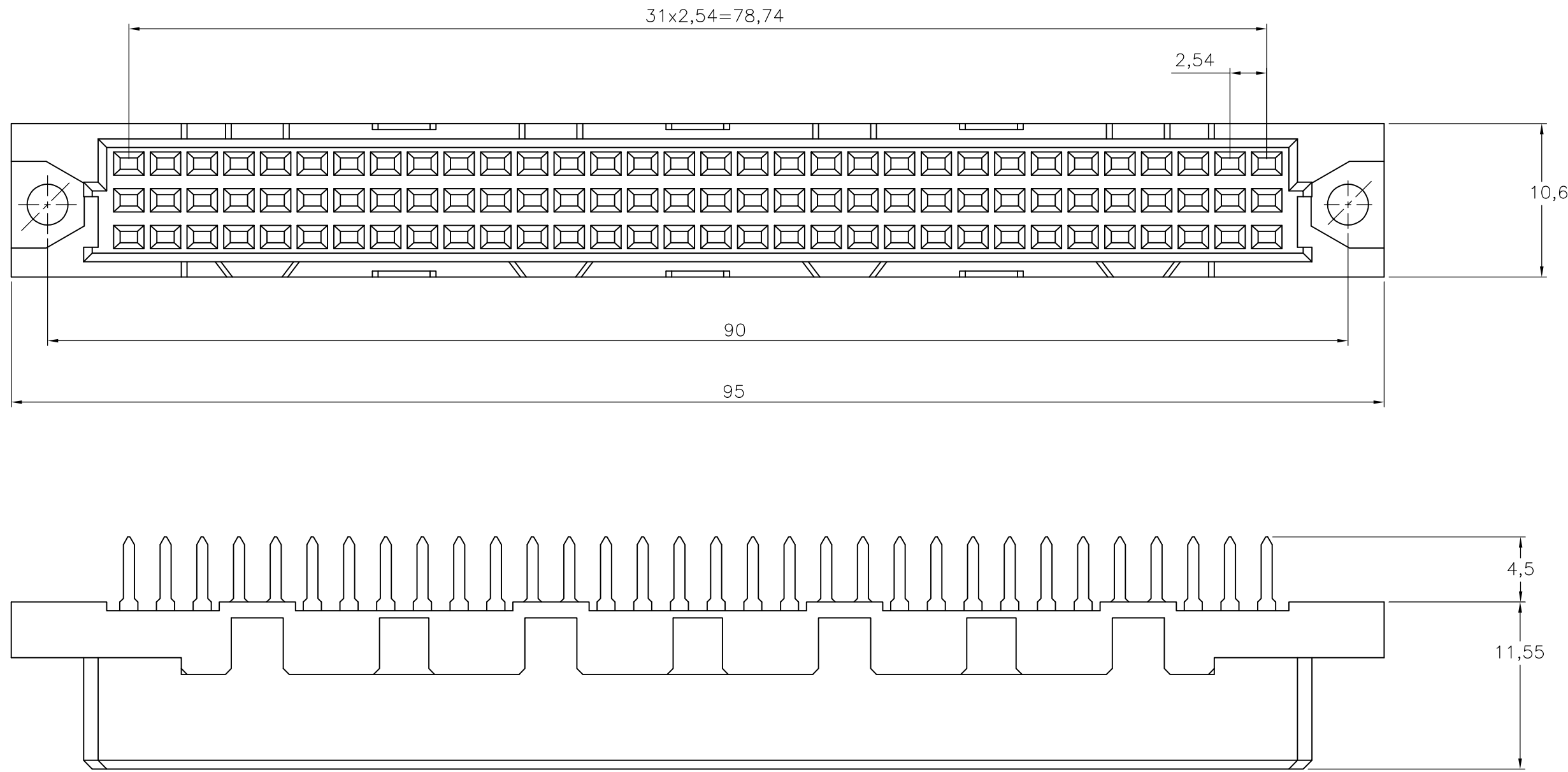


THIS DRAWING IS UNPUBLISHED. RELEASED FOR PUBLICATION
 © COPYRIGHT - By - ALL RIGHTS RESERVED.

| LOC | DIST | REVISIONS | | | |
|-----|------|-----------------|---------|-----|------|
| P | LTR | DESCRIPTION | DATE | DWN | APVD |
| H | - | | | | |
| | A | INITIAL RELEASE | 15MAR11 | RK | MKO |

NOTE:

- 1 HOUSING: GLASS FILLED THERMOPLASTIC
CONTACTS: COPPER ALLOY
- 2 PLATING:
CONTACT AREA: PERFORMANCE LEVEL 2 ACC. TO DIN 41612
SOLDERING AREA: TIN OVER NICKEL
- 3 CONTACT ARRANGEMENTS:
AN ASTERISK "X" DENOTES A SIGNAL CONTACT.
AN ASTERISK "⊗" DENOTES KINKED A SIGNAL CONTACT.
- 4 KINKED POSTS
- 5. SOLDER POSTS SUITABLE FOR 1,0 NOM. P.C.B. HOLES
- 6. CONNECTOR PRINTED WITH PARTNUMBER AND DATECODE



| ROW | POS | 3 | | | | | | | | | | | | | | | | | | | | | | | | | | | | | | | | |
|-----|-----|---|---|---|---|---|---|---|---|---|----|----|----|----|----|----|----|----|----|----|----|----|----|----|----|----|----|----|----|----|----|----|----|---|
| | | 1 | 2 | 3 | 4 | 5 | 6 | 7 | 8 | 9 | 10 | 11 | 12 | 13 | 14 | 15 | 16 | 17 | 18 | 19 | 20 | 21 | 22 | 23 | 24 | 25 | 26 | 27 | 28 | 29 | 30 | 31 | 32 | |
| a | | ⊗ | X | X | X | X | X | X | X | X | X | X | X | X | X | X | X | X | X | X | X | X | X | X | X | X | X | X | X | X | X | X | X | ⊗ |
| b | | X | X | X | X | X | X | X | X | X | X | X | X | X | X | X | X | X | X | X | X | X | X | X | X | X | X | X | X | X | X | X | X | X |
| c | | ⊗ | X | X | X | X | X | X | X | X | X | X | X | X | X | X | X | X | X | X | X | X | X | X | X | X | X | X | X | X | X | X | X | ⊗ |

| | | | | | | | |
|--|--|------------------|---------|--|-----------|------------|---------------|
| THIS DRAWING IS A CONTROLLED DOCUMENT. | | DWN | 15MAR11 | WITH | 2 | 1 | 2173047-4 |
| DIMENSIONS: mm | | CHK | 07APR11 | 4 | FINISH | 1 | TE PARTNUMBER |
| TOLERANCES UNLESS OTHERWISE SPECIFIED: | | APVD | 07APR11 | | | | |
| 0 PLC ± - | | PRODUCT SPEC | | TE Connectivity 96P.IEC-C FEM.CONN. ACC. DIN 41612 WITH SOLDER POSTS 2,4 - 3,2mm P.C.BOARD THICKNESS | | | |
| 1 PLC ± - | | APPLICATION SPEC | | SIZE | CAGE CODE | DRAWING NO | RESTRICTED TO |
| 2 PLC ± - | | WEIGHT | - | A2 | 00779 | C=2173047 | - |
| 3 PLC ± - | | CUSTOMER DRAWING | | SCALE | NTS | SHEET | 1 of 1 |
| 4 PLC ± - | | | | REV | A | | |
| ANGLES ± - | | | | | | | |
| FINISH | | | | | | | |