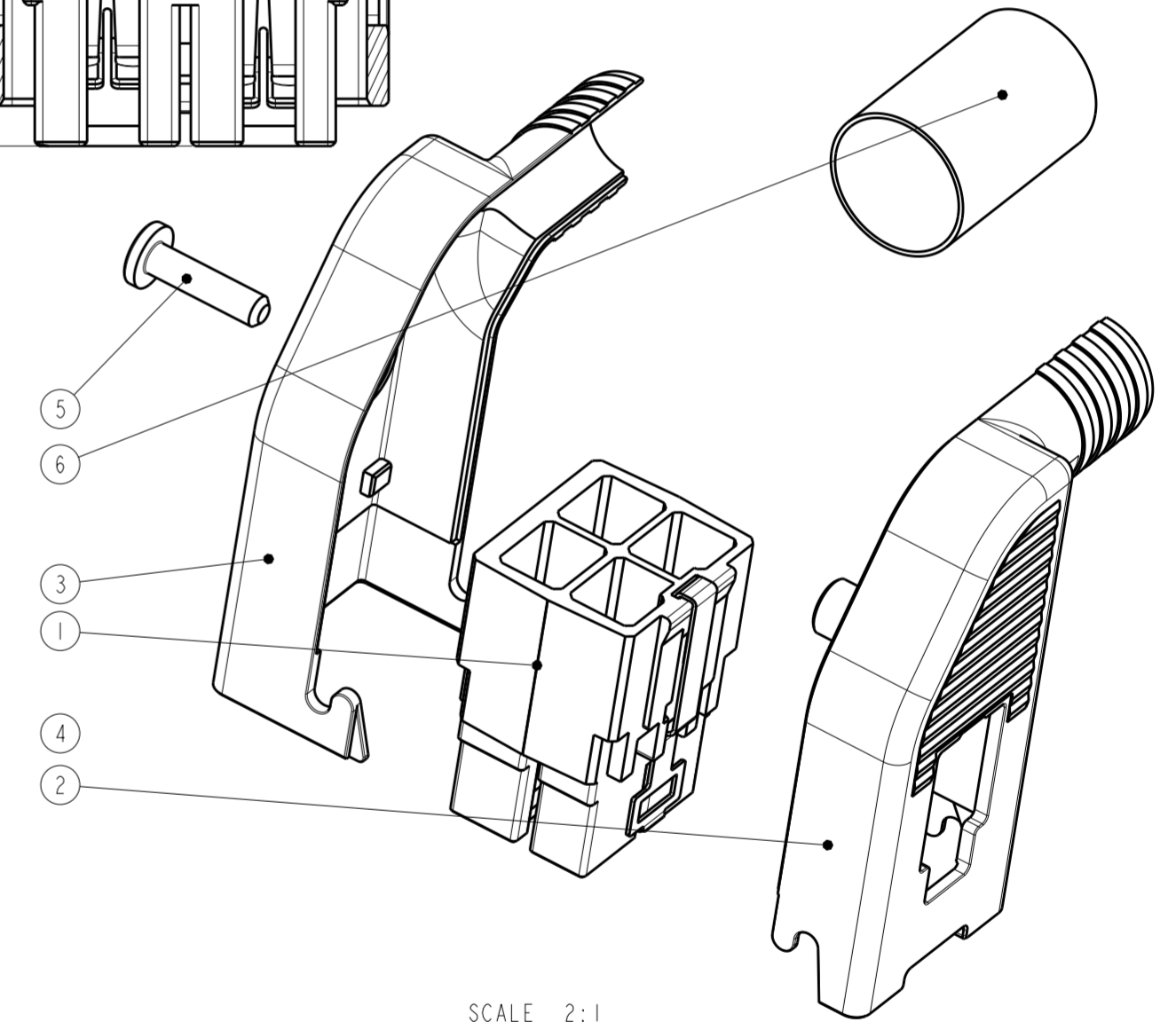
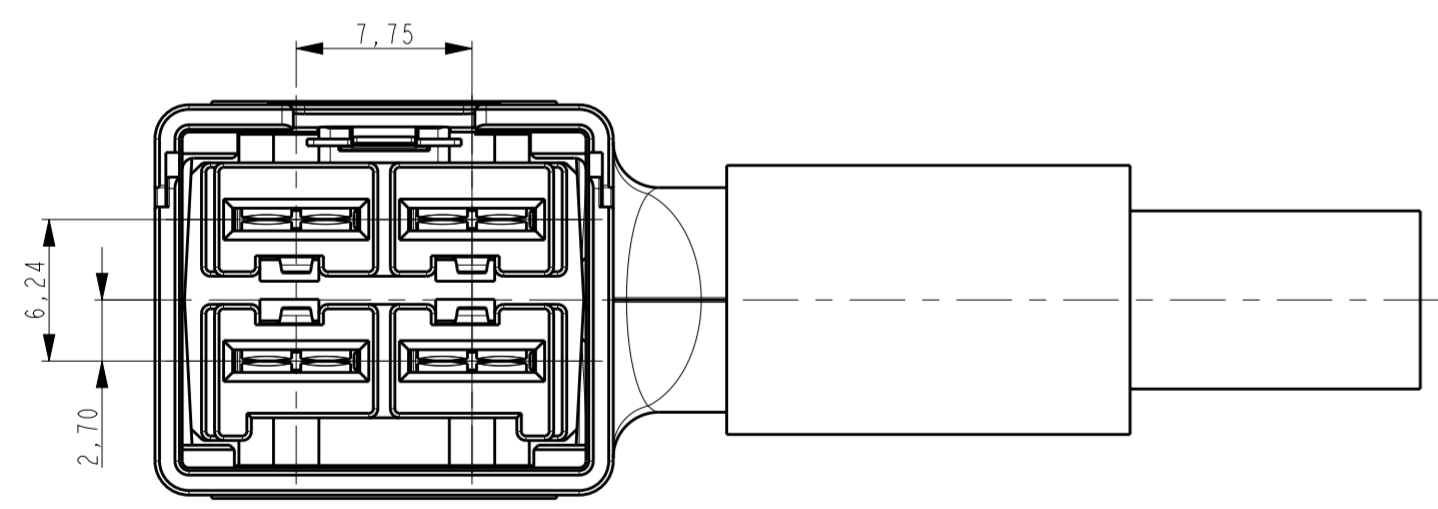
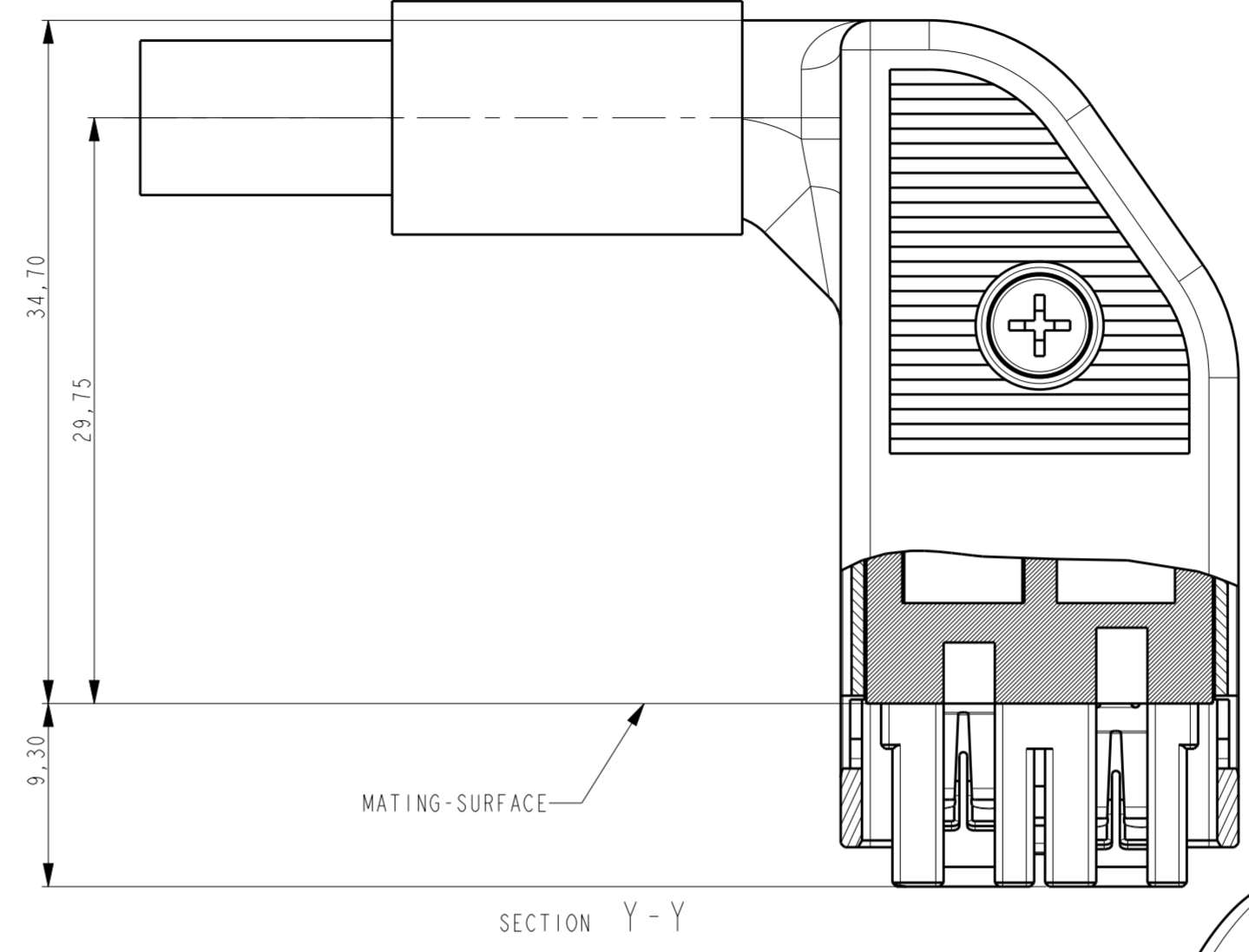
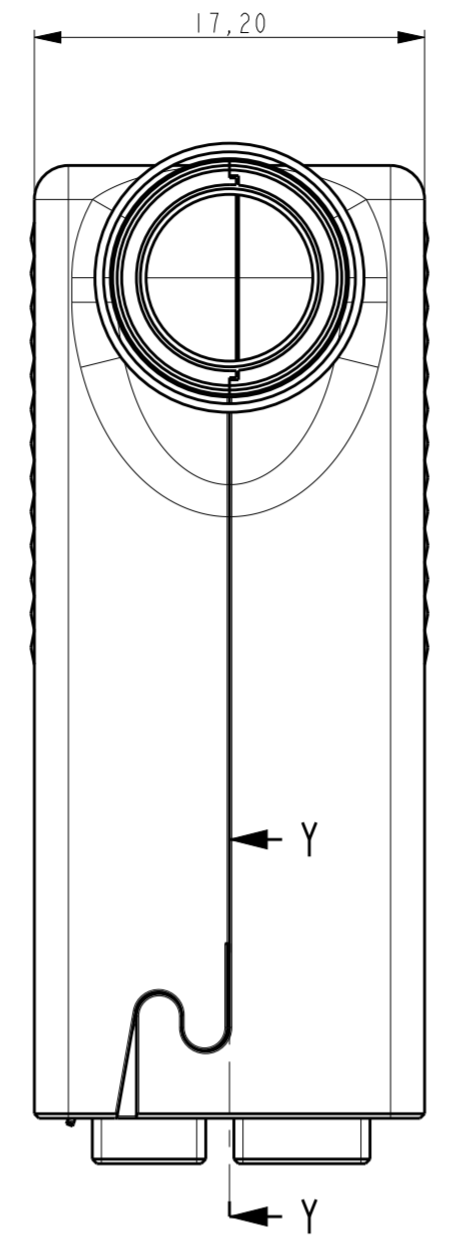
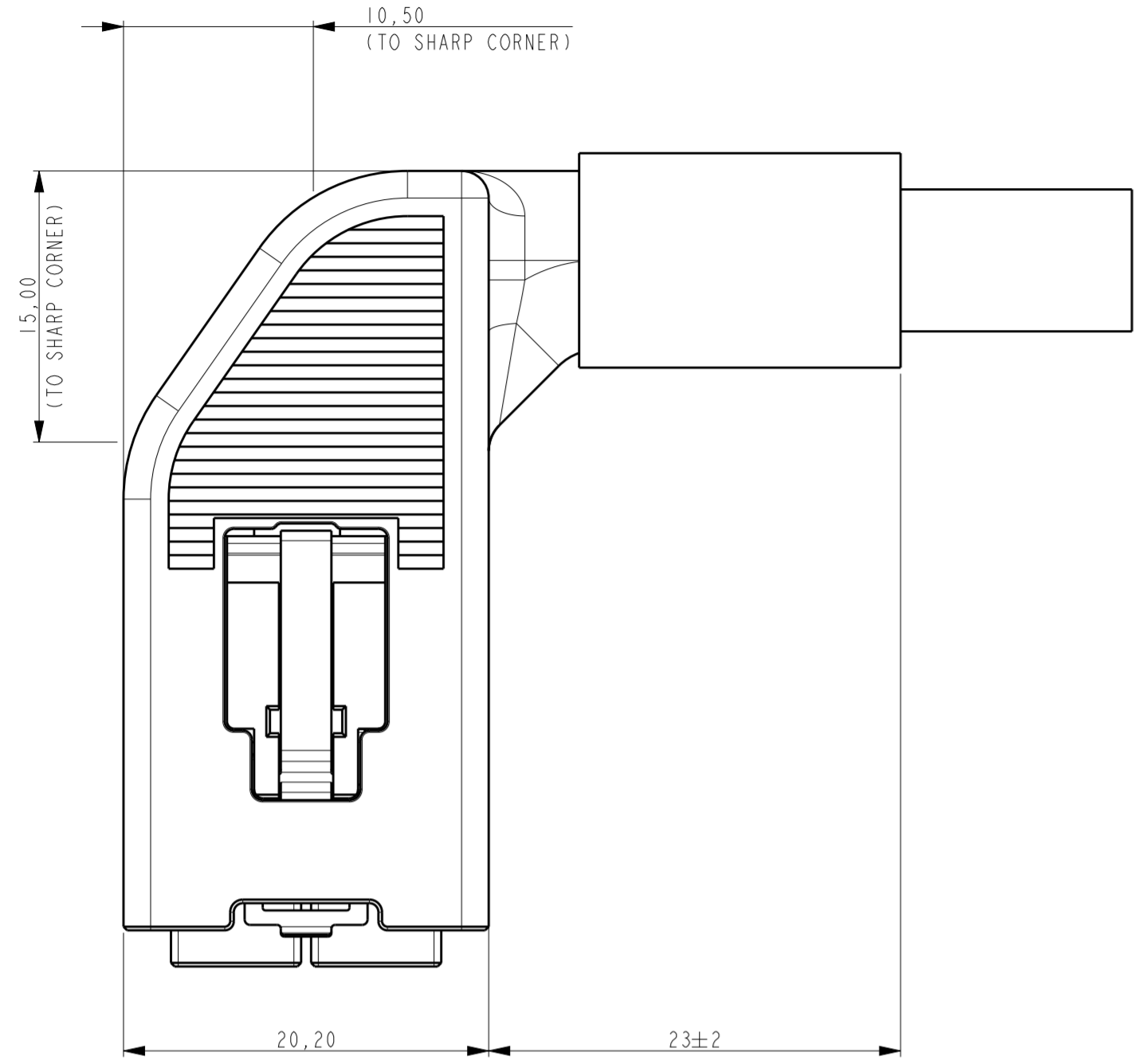


THIS DRAWING IS UNPUBLISHED. RELEASED FOR PUBLICATION  
 © COPYRIGHT BY TYCO ELECTRONICS CORPORATION. ALL RIGHTS RESERVED.

LOC		DIST		REVISIONS			
P	LTR	DESCRIPTION	DATE	DWN	APVD		
A		RELEASED PER ECR-12-015155	31OCT2012	JvdH	TdB		
B		REV PER ECO-16-014059	10JAN2017	WY	SZ		



SCALE 2:1

NOTES:  
 1 USE FOR (SILVER PLATED) STANDARD POWER TIMER CONTACTS. FOR CONTACTS PARTNUMBERS SEE DWG. C-1355048 VERSION A ALLOWED MAX WIRE SIZE 14AWG.

ITEM	QUANT	DESCRIPTION	MATERIAL	FINISHING
6	1	FERRULE	COPPER	PLATING: Sn
5	1	SCREW M2,5x10	STEEL	Zn-PLATED
4	1	LATCH	STAINLESS STEEL	NOT APPLICABLE
3	1	BACK SHELL	ZINK ALLOY	PLATING: Sn OVER Ni OVER Cu
2	1	FRONT SHELL	ZINK ALLOY	PLATING: Sn OVER Ni OVER Cu
1	1	CONTACT-HOUSING	PBT 20%GF	NOT APPLICABLE

THIS DRAWING IS A CONTROLLED DOCUMENT.

DWN: J. Smits	CHK: -	APVD: T. de Boer	NAME: -
DIMENSIONS: mm		TOLERANCES UNLESS OTHERWISE SPECIFIED:	
0 PLC ±0,1		1 PLC ±0,1	
1 PLC ±0,1		2 PLC ±0,1	
2 PLC ±0,1		3 PLC ±	
3 PLC ±		4 PLC ±	
4 PLC ±		ANGLES ±	
MATERIAL		FINISH	

PRODUCT SPEC: 108-19429  
 APPLICATION SPEC: 114-32039  
 WEIGHT: -

Customer Drawing

SCALE 3:1 SHEET 1 OF 1 REV B

RESTRICTED TO: -

STE TE Connectivity  
 ELCON Mini, 4-position shielded cable backshell kit