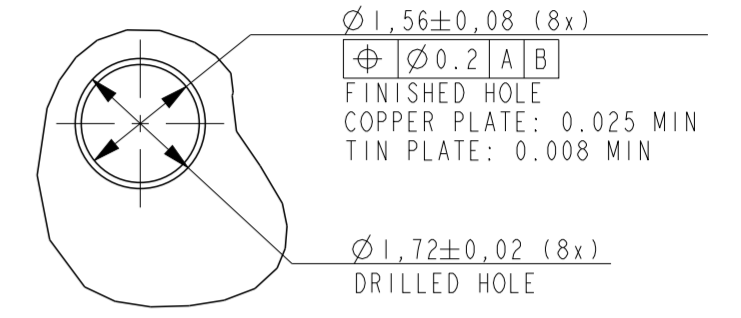
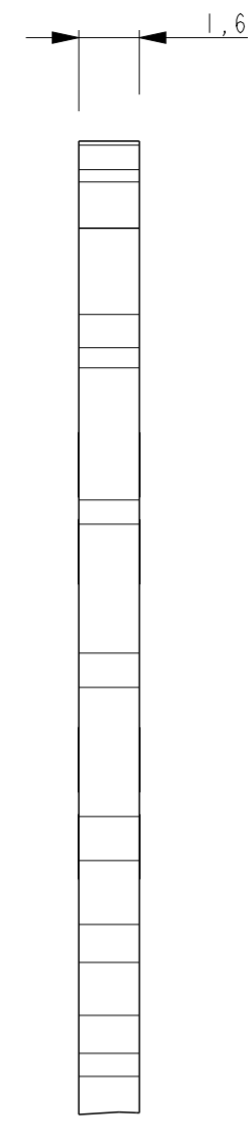
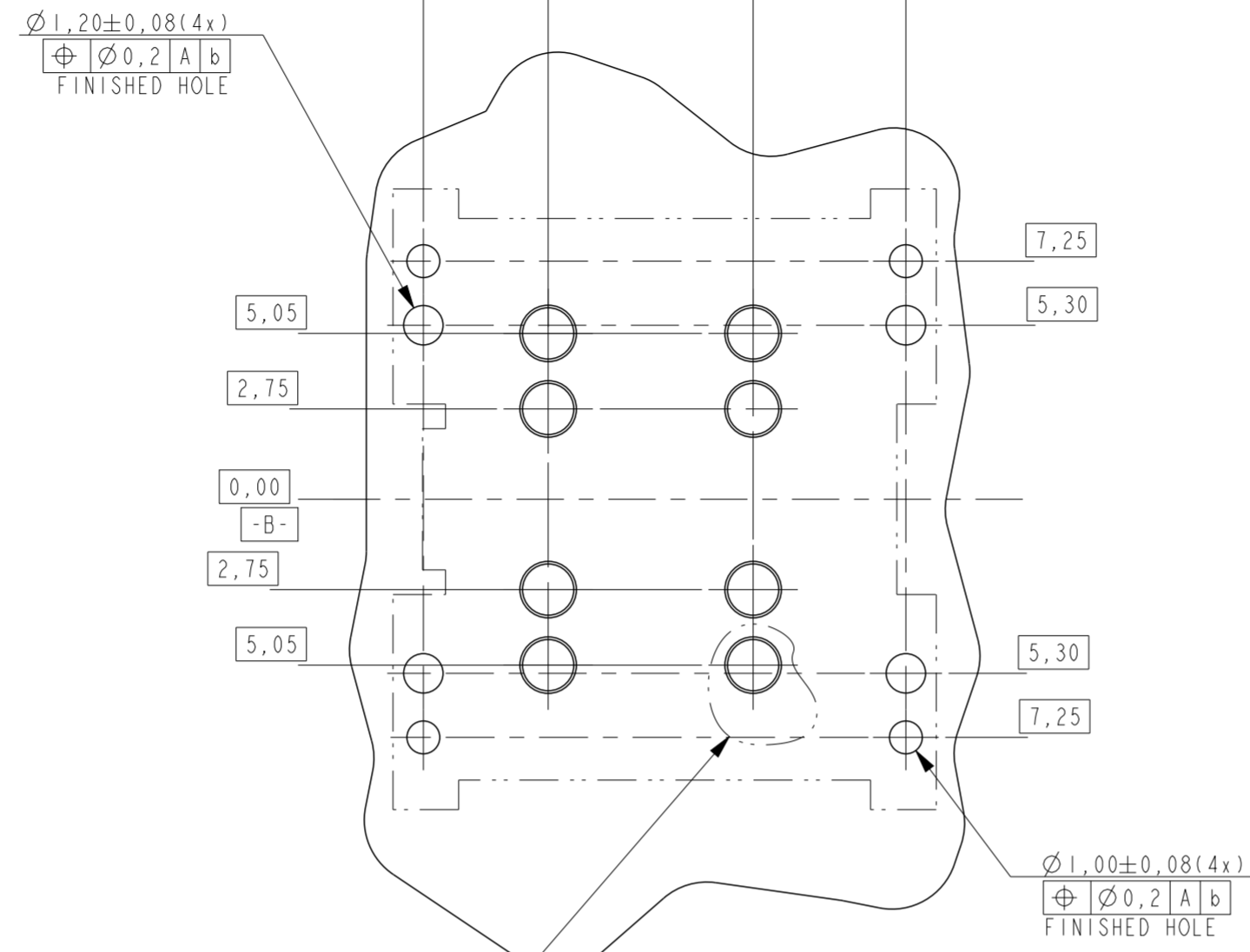
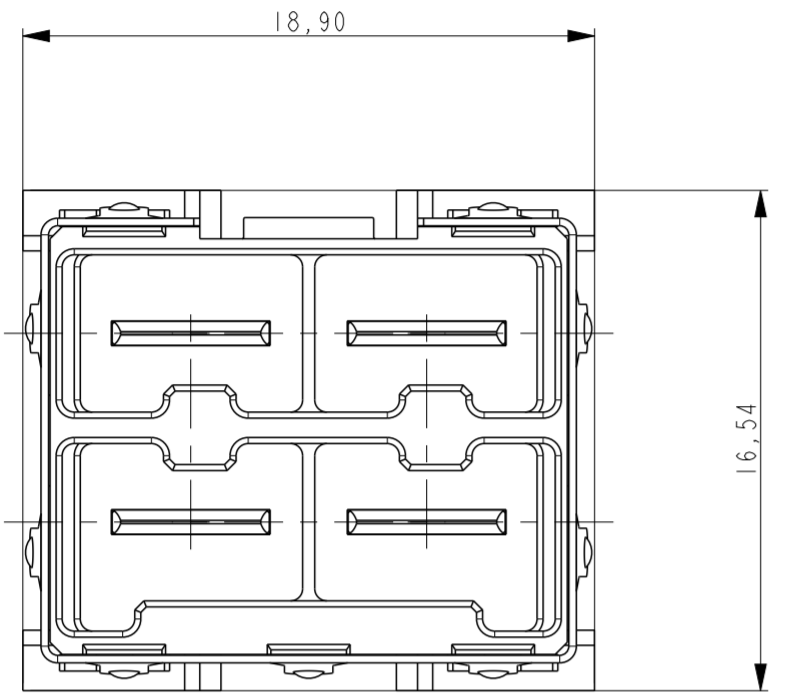


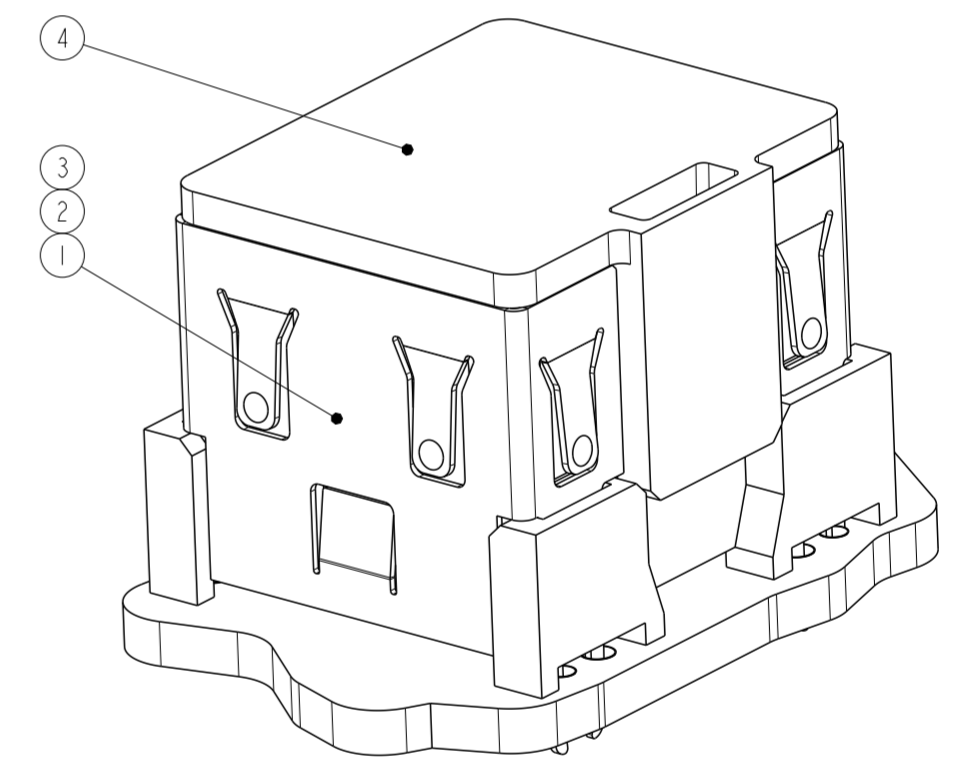
THIS DRAWING IS UNPUBLISHED. RELEASED FOR PUBLICATION  
 BY TYCO ELECTRONICS CORPORATION ALL RIGHTS RESERVED.

LOC		DIST		REVISIONS			
P	LTR	DESCRIPTION	DATE	DWN	APVD		
A		RELEASED PER ECR-12-015155	31OCT2012	JvdH	TdB		
AI		REV PER ECR-16-010984	01AUG2016	OL	SZ		
B		REV PER ECO-16-014060	30DEC2016	WY	SZ		
BI		REV PER ECO-18-006192	20APR2018	OL	SZ		

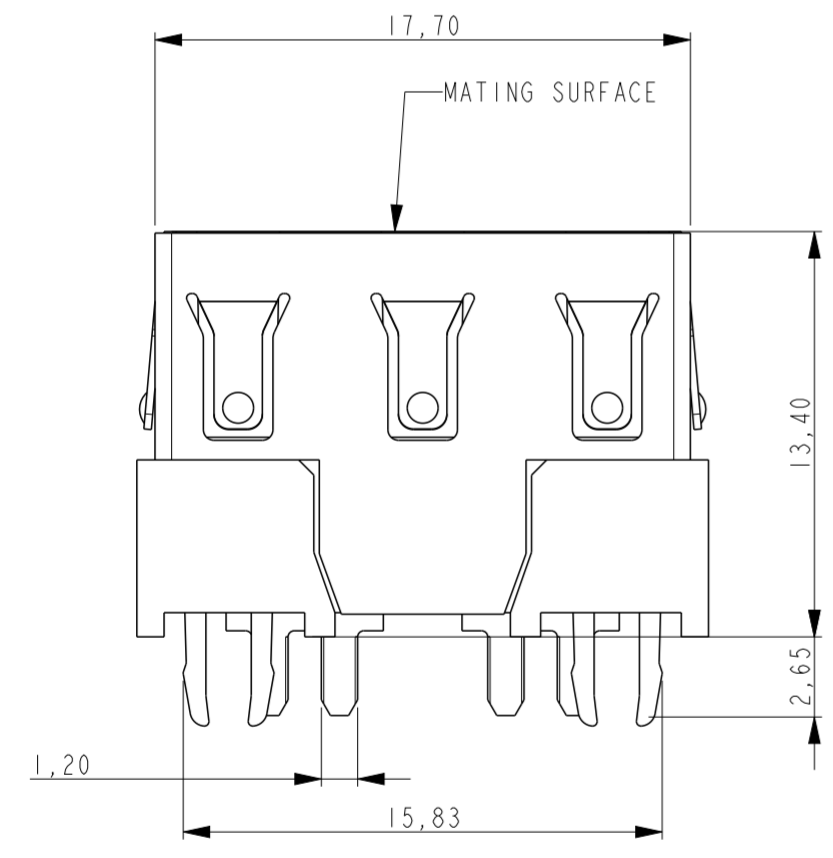


SOLDER TERMINATION AREA FOR POWER AND SHIELDING CONTACTS RECOMMENDED PRINTED CIRCUIT HOLE  
 DETAIL A  
 SCALE 10:1

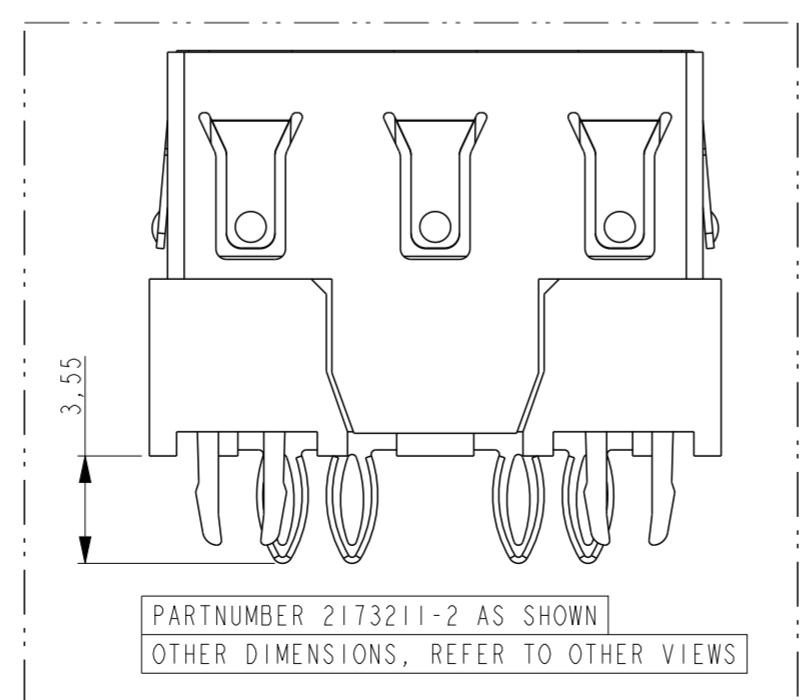
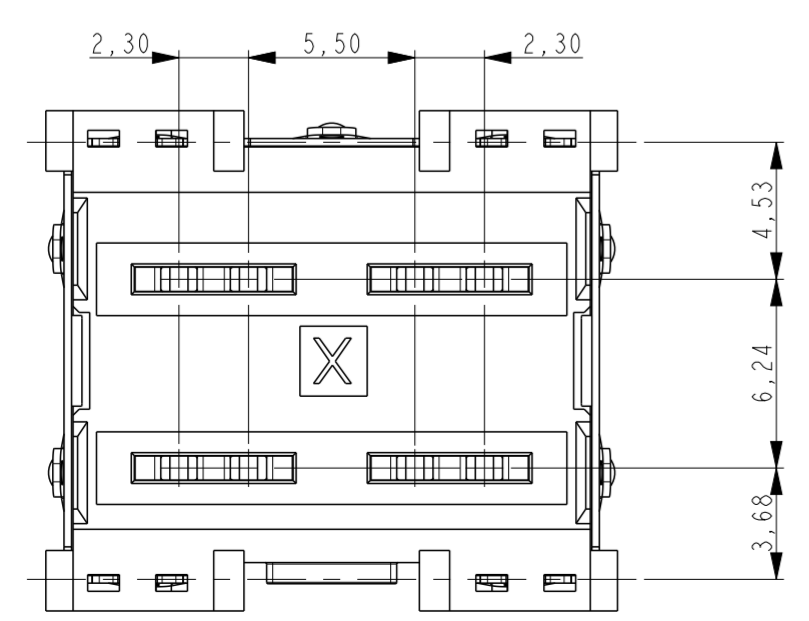
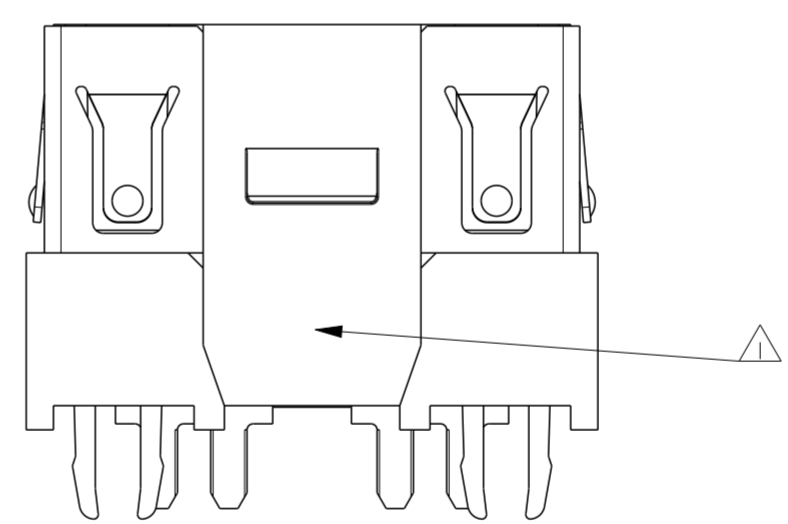
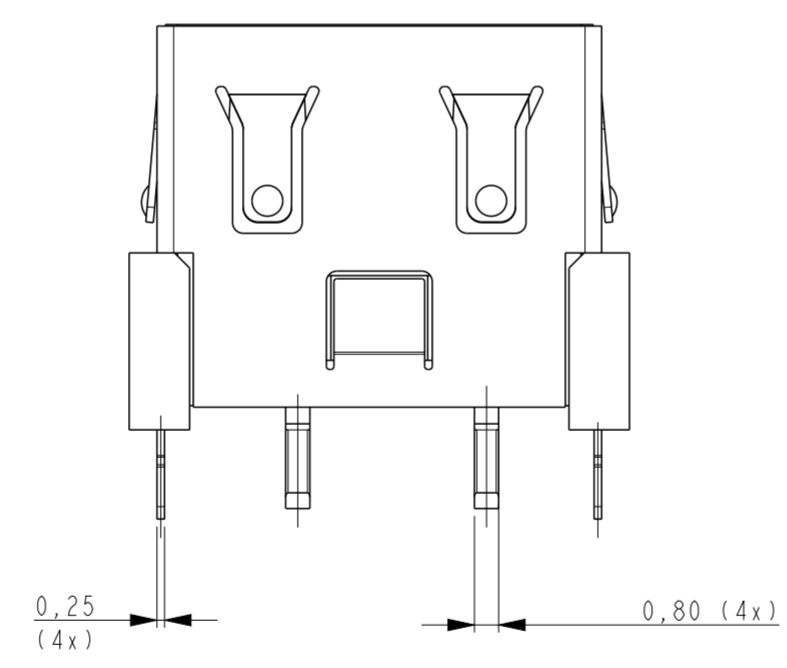
NOTES:  
 PRINTING PARTNUMBER AND DATE CODE:  
 2173211-x(x=1,2,3...)  
 YYWW



SCALE 4:1  
 PARTNUMBER 2173211-1 AS SHOWN



SEE DETAIL A RECOMMENDED PCB LAY-OUT (MOUNTING SIDE)



QTY	REF	DESCRIPTION	MATERIAL	FINISH	ITEM NO.
-	I	PICK&PLACE ADAPTOR / PROTECTION CAP	POLYAMIDE	NOT APPLICABLE	4
1	I	SHIELD	COPPER ALLOY	PLATING: Sn OVER Ni	3
4	-	CONTACT POWER TAB, PRESS FIT	COPPER ALLOY	3,0 μm Ag MIN ALL OVER.	2
-	4	CONTACT POWER TAB, SOLDER	COPPER ALLOY	3,0 μm Ag MIN ALL OVER.	2
1	I	HOUSING	LCP GF UL94V-0	NOT APPLICABLE	1
-2	-I				

THIS DRAWING IS A CONTROLLED DOCUMENT.

DIMENSIONS:	TOLERANCES UNLESS OTHERWISE SPECIFIED:	DWN	2 FEB 2012
mm	0 PLC ±0,2	CHK	J. Smits
	1 PLC ±0,1	CHK	B. Mooij
	2 PLC ±0,1	APVD	T. D. BOER
	3 PLC ±0,1	PRODUCT SPEC	108-19429
	4 PLC ±	APPLICATION SPEC	114-32039
MATERIAL	FINISH	WEIGHT	

CUSTOMER DRAWING

TE Connectivity  
 ELCON Mini, 4-position vertical header, shielded

SIZE: A2 CAGE CODE: 00779 DRAWING NO: G-2173211 RESTRICTED TO: -

SCALE: 3:1 SHEET: 1 OF 1 REV: BI