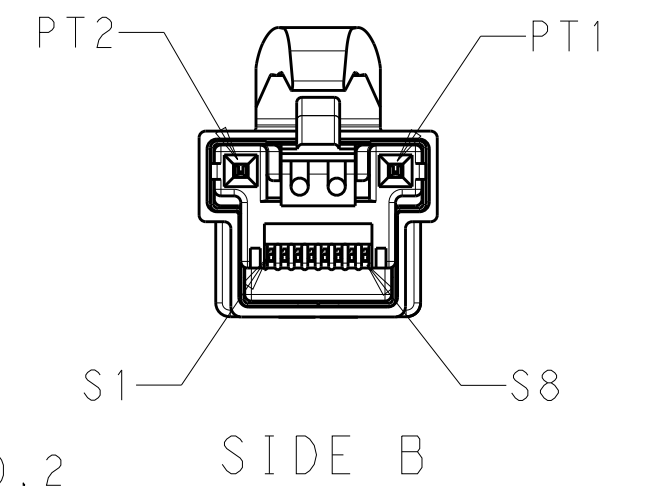
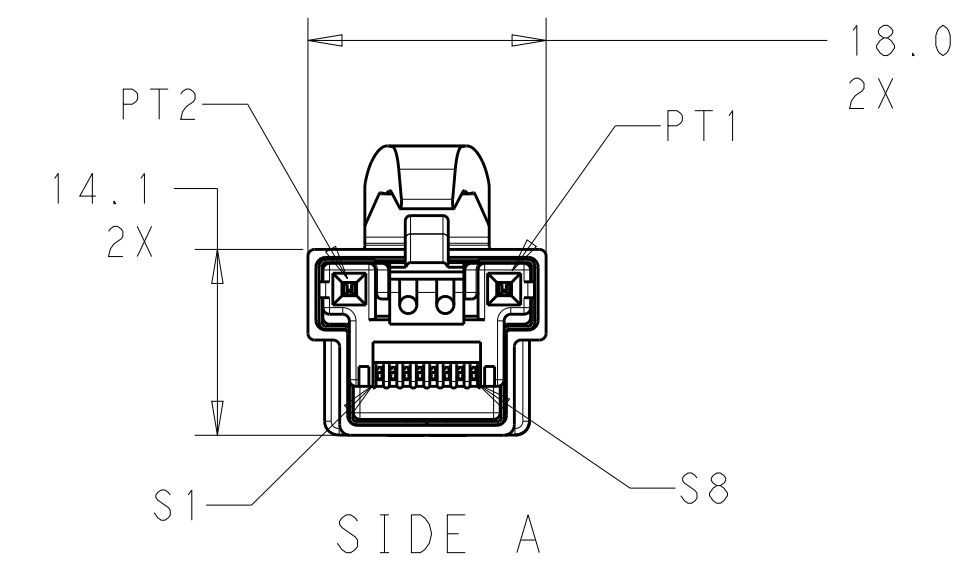
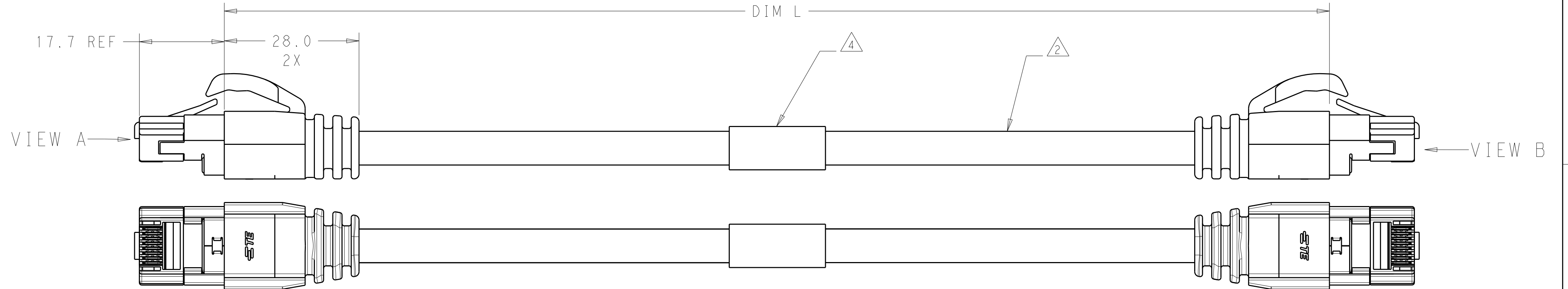


THIS DRAWING IS UNPUBLISHED. RELEASED FOR PUBLICATION 20
 © COPYRIGHT 20 BY - ALL RIGHTS RESERVED.

REVISONS		DATE	DWN	APVD
P	LTR	DESCRIPTION		
B		NOTES 1, 2 CHANGED, PN 21781127-5 ADDED	25MAY2017	TB MVD
C		HOUSING COLOR CHANGED	08NOV2017	GCM MVD

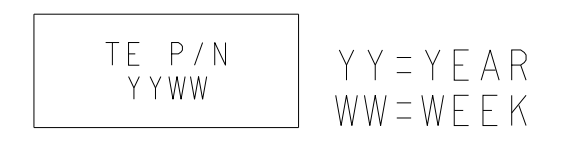


NOTES:

- 1 MATERIALS AND FINISH:
 - HOUSING: PC, COLOR: CLEAR
 - CONTACTS: COPPER ALLOY
FINISH: GOLD OVER NICKEL (SIGNAL CONTACTS)
GOLD OVER NICKEL (POWER CONTACTS)
 - CONNECTOR SHIELD: COPPER-ZINC ALLOY
FINISH: TIN OVER NICKEL
 - STRAIN RELIEF: TPV, COLOR: BLACK
- 2 CABLE SPECIFICATION:
 - JACKET: TPE/85 A (LSZH-FT2) COLOR: RAL9017 BLACK, OD 6.4±0.2
 - SIGNAL CONDUCTORS: 4 PAIR, 24AWG SOLID (NON-SHIELDED)
 - POWER CONDUCTORS: QTY 2, 18AWG STRANDED
 - MINIMUM BEND RADIUS: 35MM
 - -20 TO 75°C TEMPERATURE RANGE
 - CONDUCTOR ISOLATION: FR-PE

3. MUST COMPLY WITH DIRECTIVE 2002/95/EC (ROHS)

4 LABEL CONTENT AS FOLLOWS:



5. CAT5e PERFORMANCE NOT ATTAINABLE IN CERTAIN APPLICATIONS DUE TO NON-SHIELDED SIGNAL CONDUCTORS WITHIN CABLE

6 250M RAW CABLE (W/O CONNECTORS) ON REEL
 PACKED IN CARTON BOX
 420 X 420 X 340MM.

250000.0±5000.0	2178127-5
25000.0±250.0	2178127-4
10000.0±100.0	2178127-3
5000.0±50.0	2178127-2
2000.0±20.0	2178127-1
DIM "L"	PART NO.

SIGNAL WIRING DETAILS			
	COLOR	SIDE A	SIDE B
PAIR 2	WHITE/ORANGE STRIPE	1	1
	ORANGE	2	2
PAIR 3	WHITE/GREEN STRIPE	3	3
	BLUE	4	4
PAIR 4	WHITE/BLUE STRIPE	5	5
	GREEN	6	6
	WHITE/BROWN STRIPE	7	7
	BROWN	8	8

POWER CABLE CONNECTION			
	COLOR	SIDE A	SIDE B
	BLACK	PT1	PT1
	RED	PT2	PT2

THIS DRAWING IS A CONTROLLED DOCUMENT.

DIMENSIONS: mm	TOLERANCES UNLESS OTHERWISE SPECIFIED: 0 PLC ±0.2 1 PLC ±0.2 2 PLC ±0.13 3 PLC ± 4 PLC ± ANGLES ±3° FINISH	DWN: C DAILY 18MAY2012 CHK: M MOSTOLLER 18MAY2012 APVD: -	TE Connectivity CABLE ASSEMBLY, CLOUDSPLITTER UNSHIELDED CABLE	
MATERIAL		PRODUCT SPEC: 108-64022 APPLICATION SPEC: 114-32099 WEIGHT: -	SIZE: A2 CAGE CODE: 00779 DRAWING NO: C-2178127	RESTRICTED TO: -
		CUSTOMER DRAWING	SCALE: 7:4	SHEET 1 OF 1 REV C