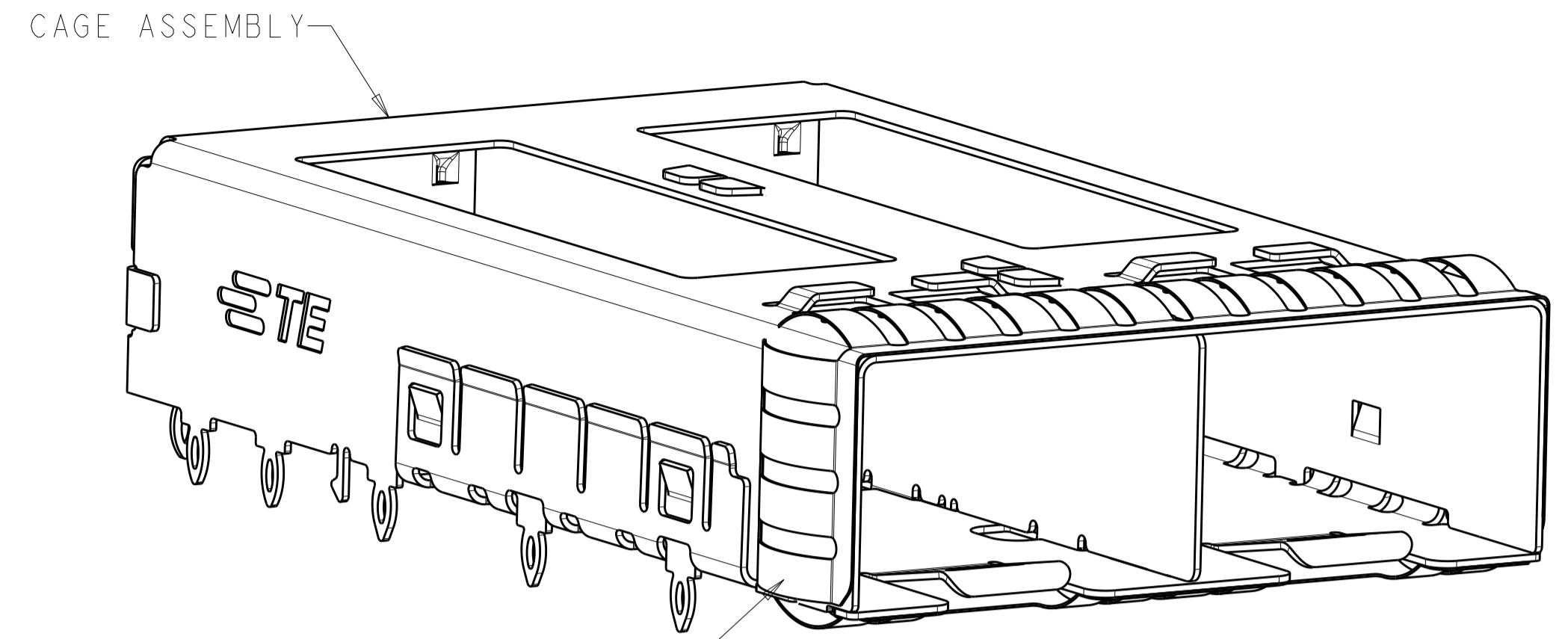
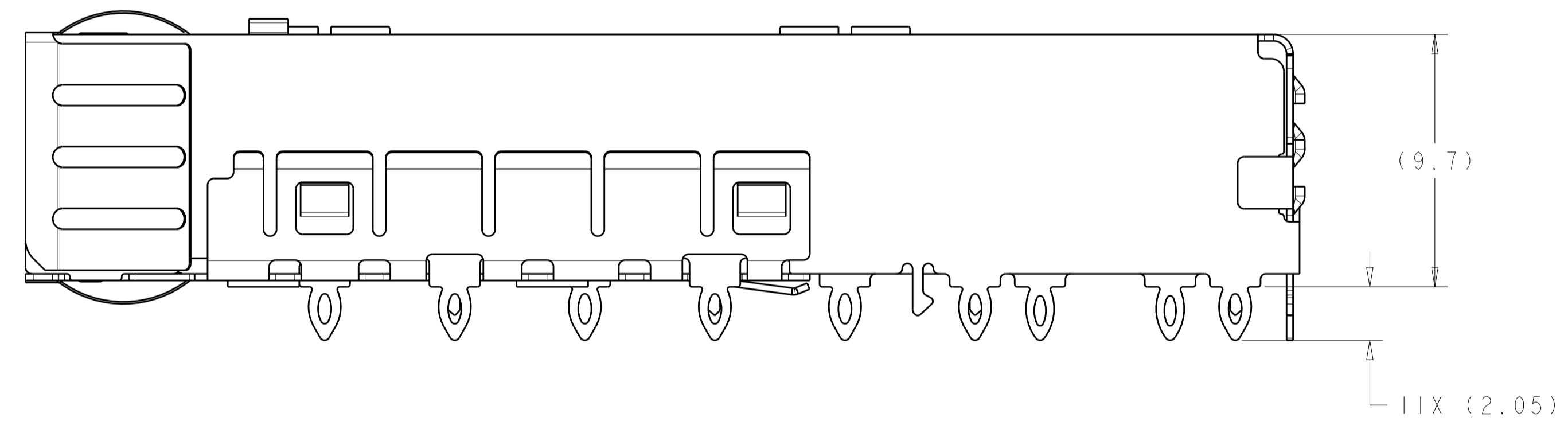
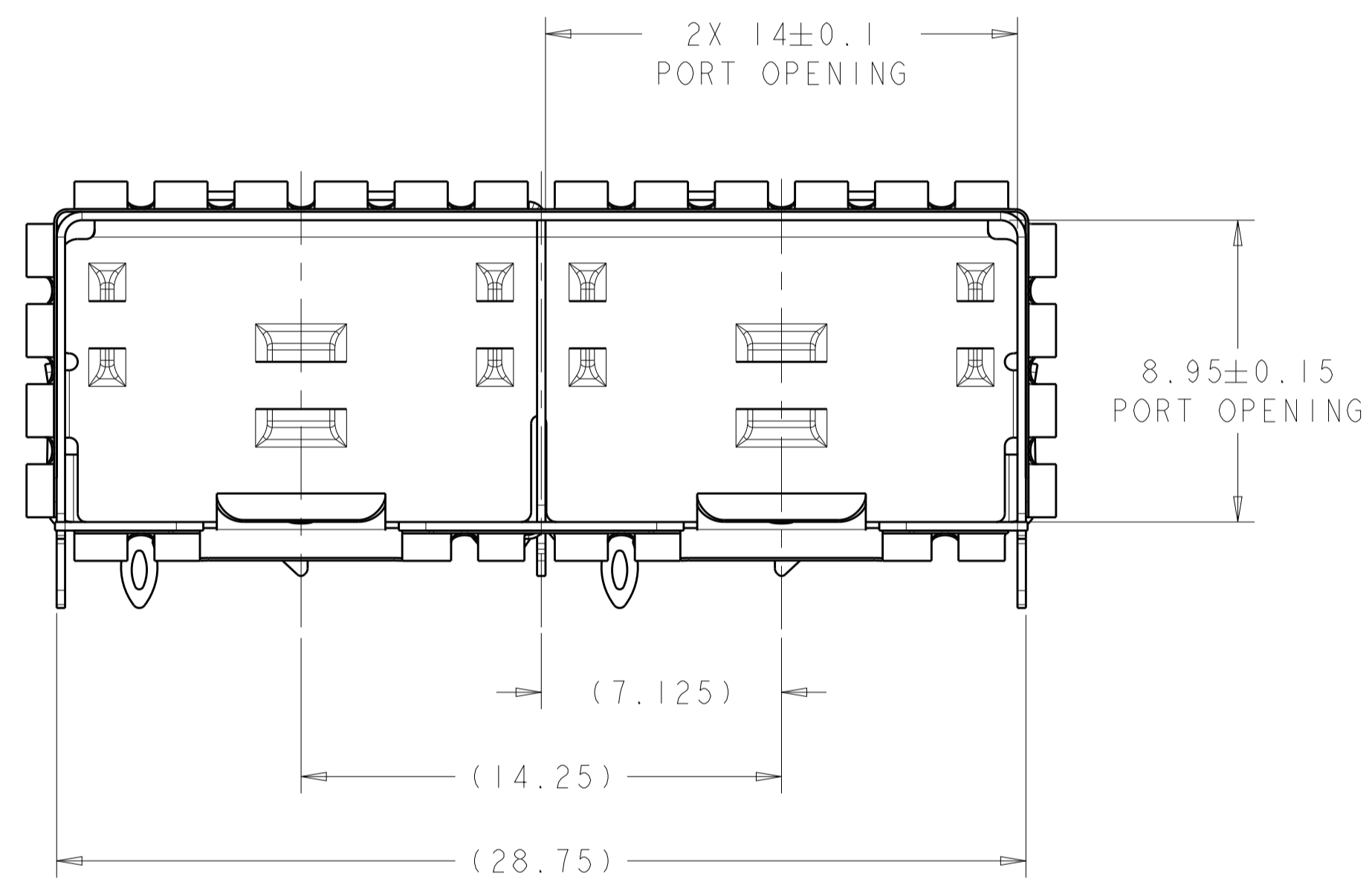


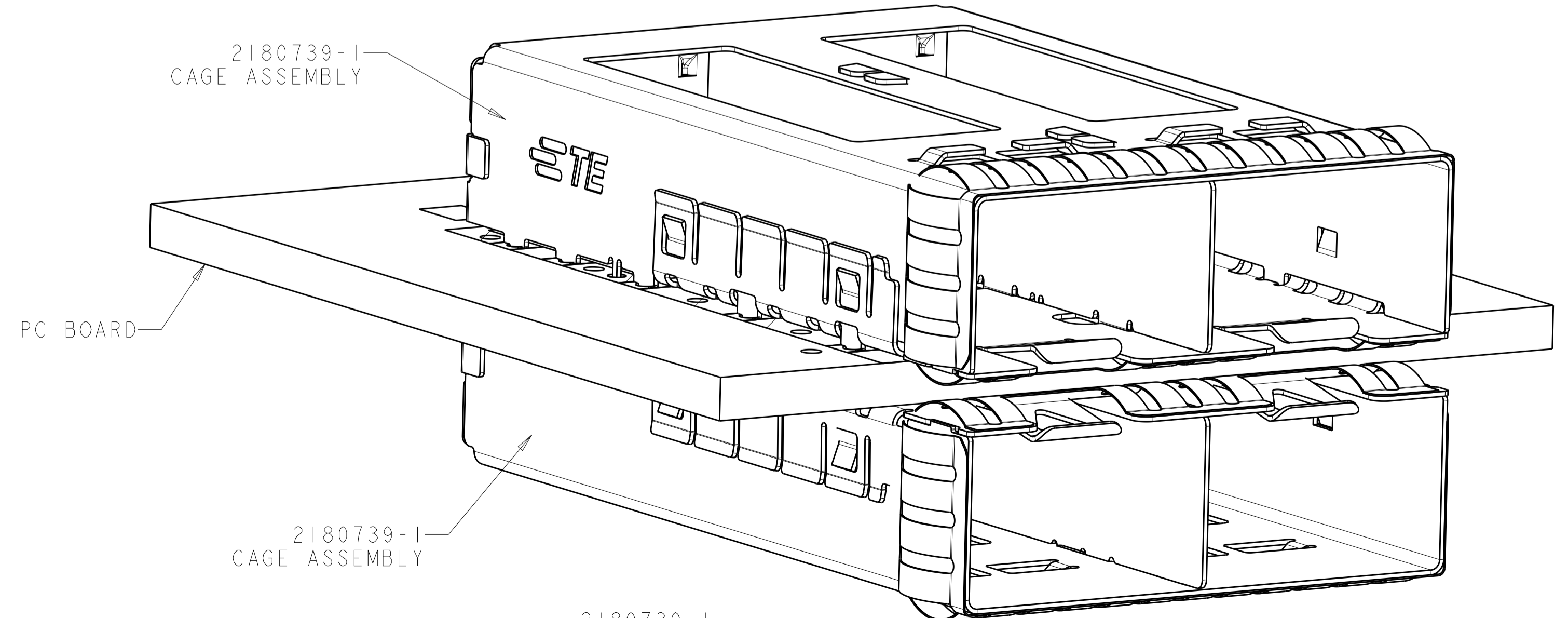
LOC	DIST	REVISIONS					
GP	00	P	LTN	DESCRIPTION	DATE	DMN	APVD
		A		RELEASED PER ECO-12-013192	09OCT2012	BMM	MRS
		A1		RELEASED PER ECO-14-005063	16DEC2013	JZ	SH
		A2		REVISED PER ECR-18-016039	19OCT2018	IT	SH



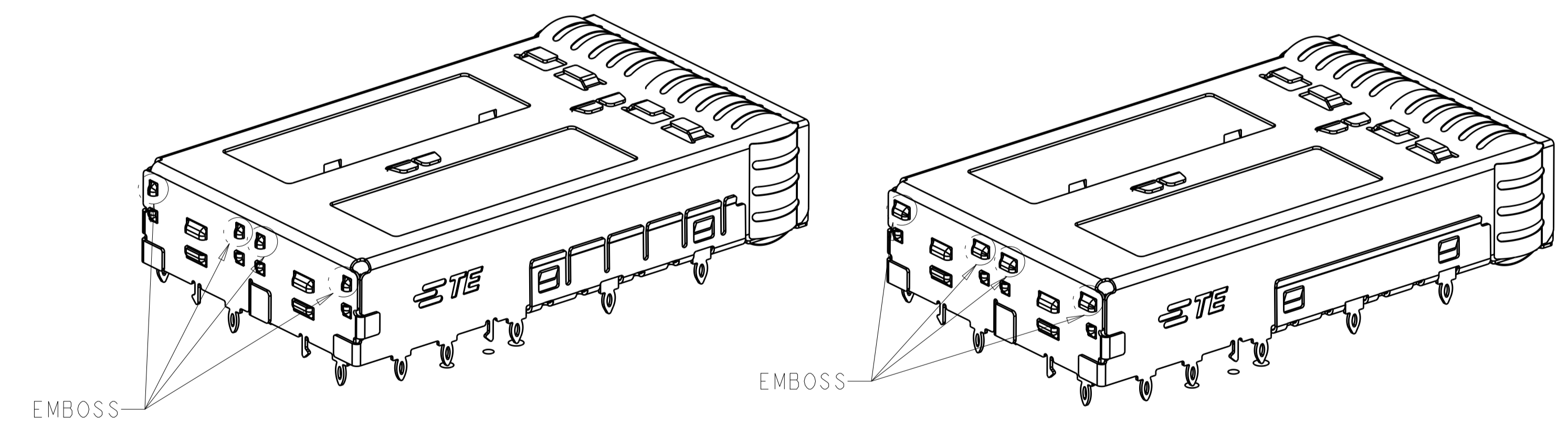
2180739-1
SCALE 5:1



- △ MATERIAL:
CAGE ASSEMBLY: 0.25mm THICK NICKEL SILVER ALLOY
EMI SPRINGS: COPPER ALLOY
- △ FINISH:
SPRINGS: MINIMUM OF 0.8mm MATTE TIN PLATED OVER MINIMUM OF 0.8um NICKEL UNDERPLATE.
NON-PLATED EDGES PERMISSIBLE.
- △ DATUM AND BASIC DIMENSIONS ESTABLISHED BY CUSTOMER.
- 4. MATES WITH SFP MSA COMPLIANT RECEIVERS.
- △ PADS AND VIAS CHASSIS GROUND.
- 6. INTERPRETATION OF DATUM REFERENCE FRAME IN ACCORDANCE WITH SECT 4.4.1.1 OR ASME Y14.5M-1994.
- △ MINIMUM PC BOARD THICKNESS:
SINGLE SIDED: 1.5mm
DOUBLE SIDED: 2.25mm
- △ HOLE PATTERN REPEATS FOR EACH PORT, SPACING BETWEEN PORTS IS 14.25mm.
- △ REFERENCE APPLICATION SPEC. 114-13120, HOLE A, FOR RECOMMENDED DRILL HOLE DIAMETER AND PLATING THICKNESS.
- △ REFERENCE APPLICATION SPEC. 114-13120, HOLE B, FOR RECOMMENDED DRILL HOLE DIAMETER AND PLATING THICKNESS.
- 11. CERTAIN MATING TRANCEIVERS MAY REQUIRE ADDITIONAL PCB THICKNESS THAT WOULD NEED TO BE DETERMINED BY THE CUSTOMER.
- △ PRODUCT COMPLIES WITH SPECIFICATION SFF-8433, IMPROVED PLUGGABLE FORM FACTOR FOR SFP+ GANGED CAGES.



2180739-1
MOUNTED BELLY TO BELLY
SCALE 5:1



2180739-1

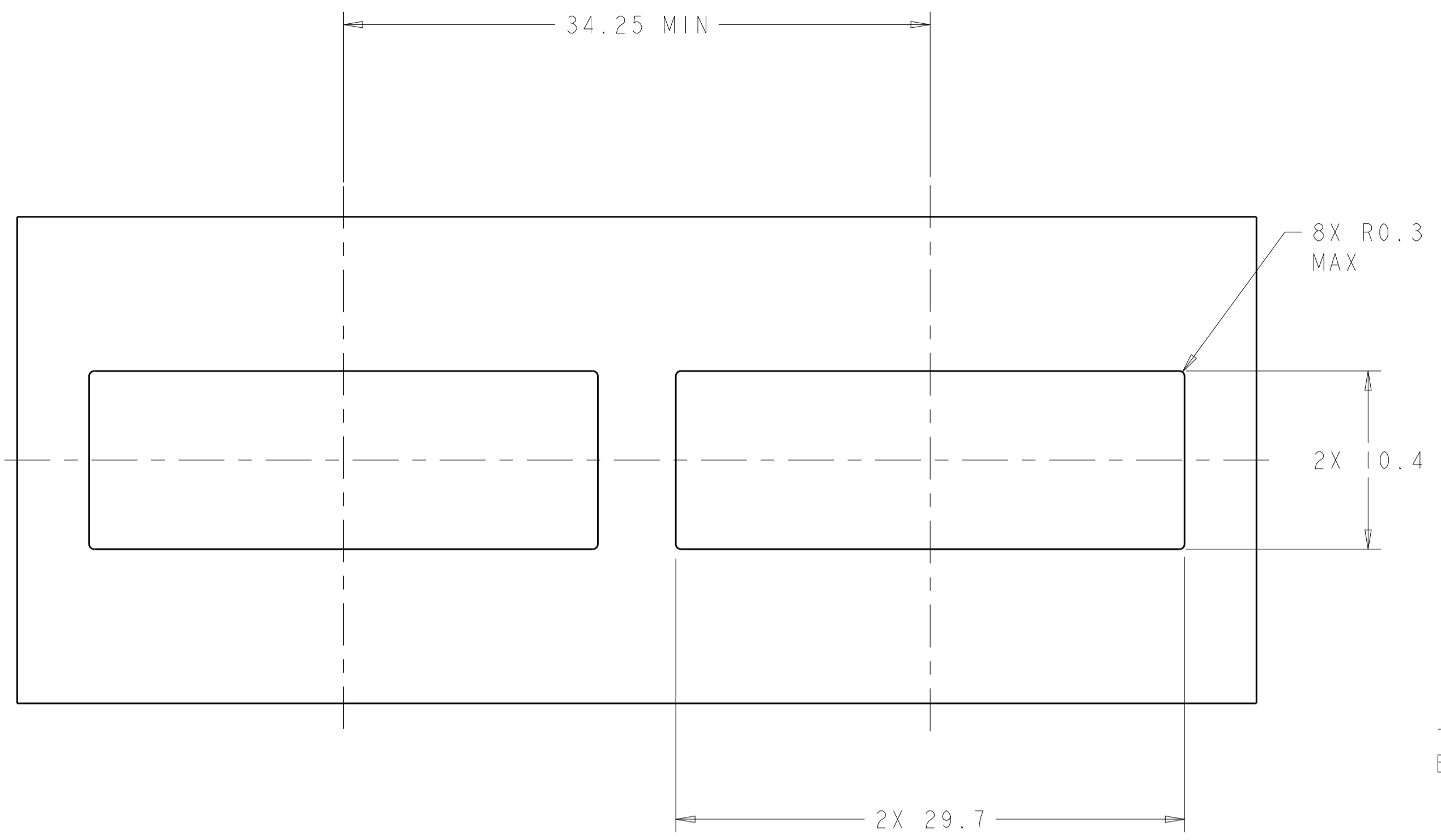
2180739-3
SAME AS 2180739-1,
EXCEPT FOUR EMBOSS AND SIDE TABS

2180739-3
2180739-1
PART NUMBER

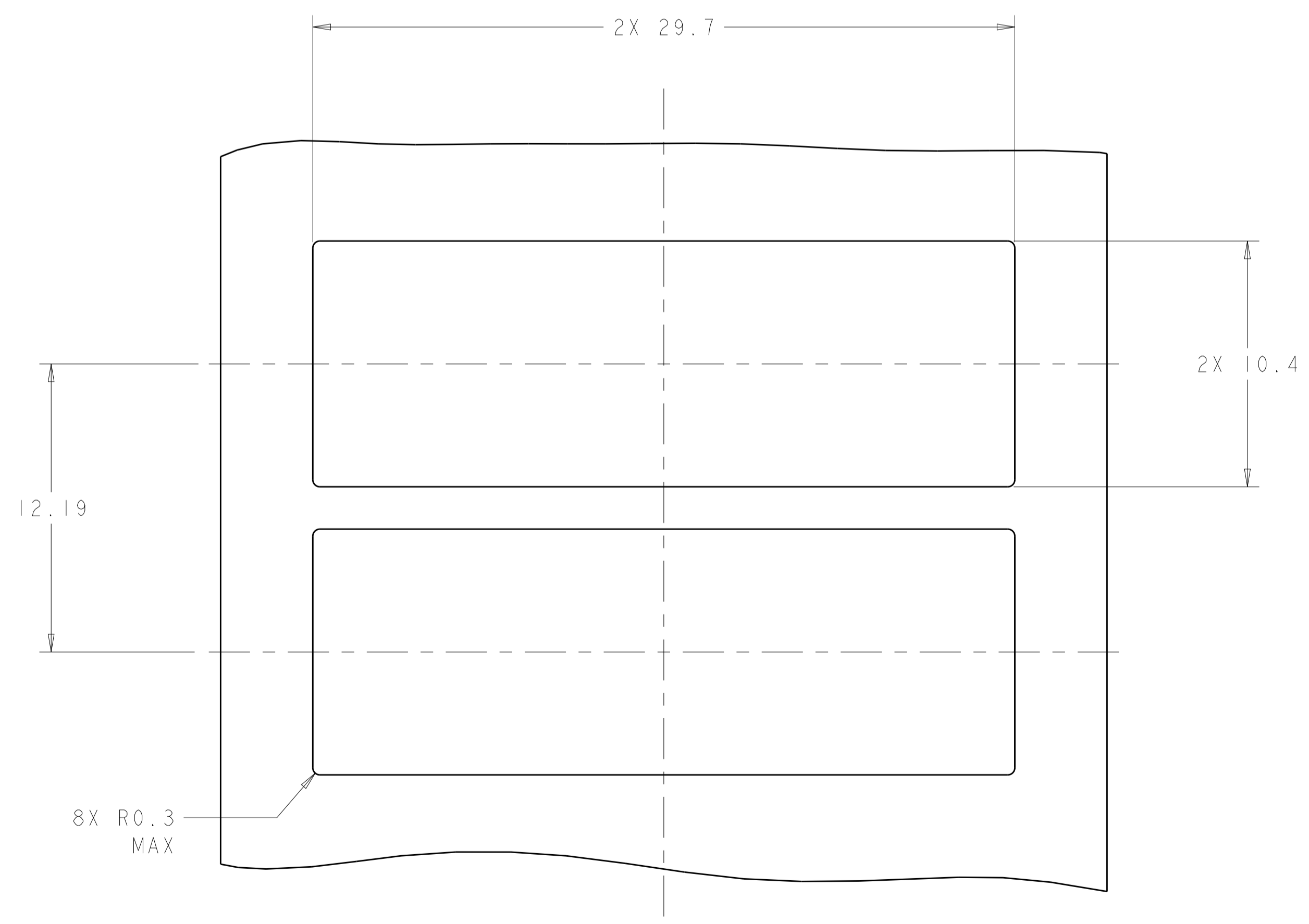
THIS DRAWING IS A CONTROLLED DOCUMENT.		DMN: B. MATTHEWS, 24MAY2011	TE Connectivity
DIMENSIONS: mm		CHK: M. SCHMITT, 24MAY2011	
TOLERANCES UNLESS OTHERWISE SPECIFIED:		APVD: M. SCHMITT, 24MAY2011	NAME: SFP+ ENHANCED 1X2 CAGE ASSEMBLY, PRESS-FIT, EMI SPRINGS
0 PLC ±0.13		PRODUCT SPEC	
1 PLC ±0.1		108-2364	SIZE: CAGE CODE DRAWING NO. RESTRICTED TO A100779C=2180739
2 PLC ±0.08		APPLICATION SPEC	
3 PLC ±0.05		114-13120	SCALE: 6:1 SHEET 1 OF 4 REV: A2
4 PLC ±0.05		WEIGHT	
ANGLES ±0.1		Customer Drawing	

LOC	DIST	REV	DATE	BY	APPV
GP	00				

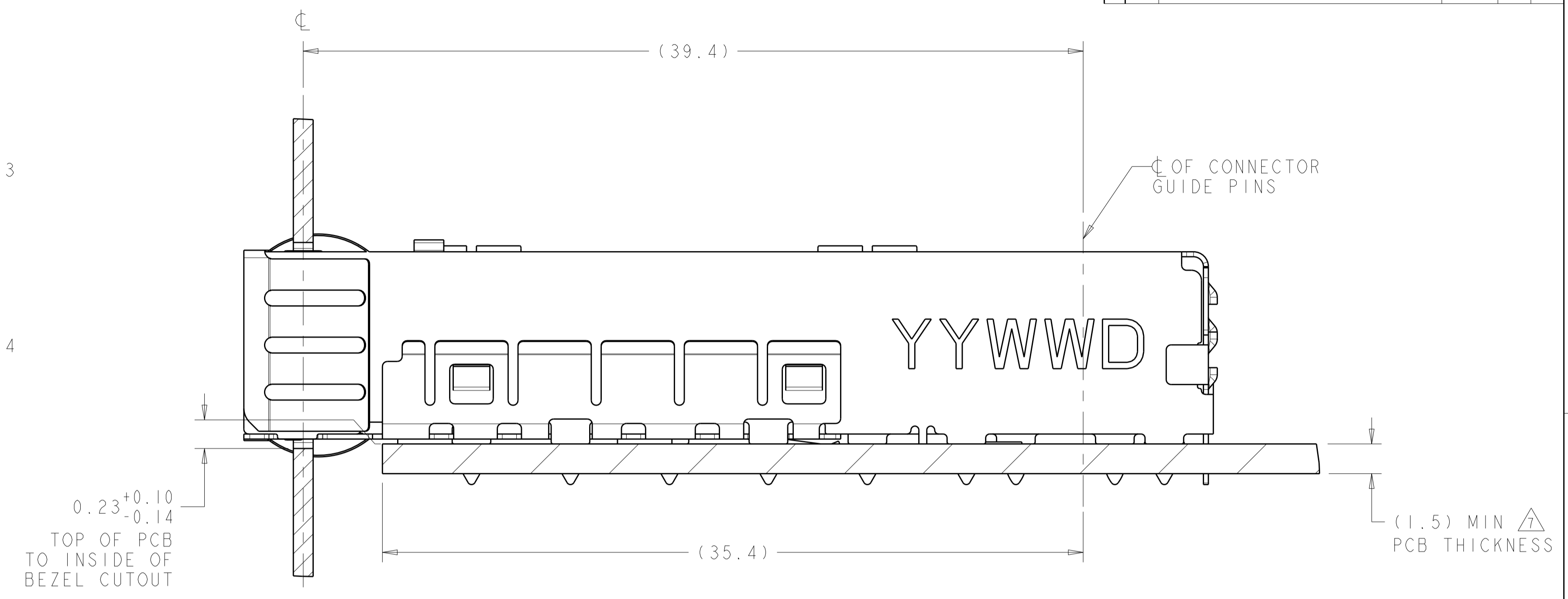
REVISIONS			
REV	DATE	BY	APPV
-	-	-	-
SEE SHEET 1			



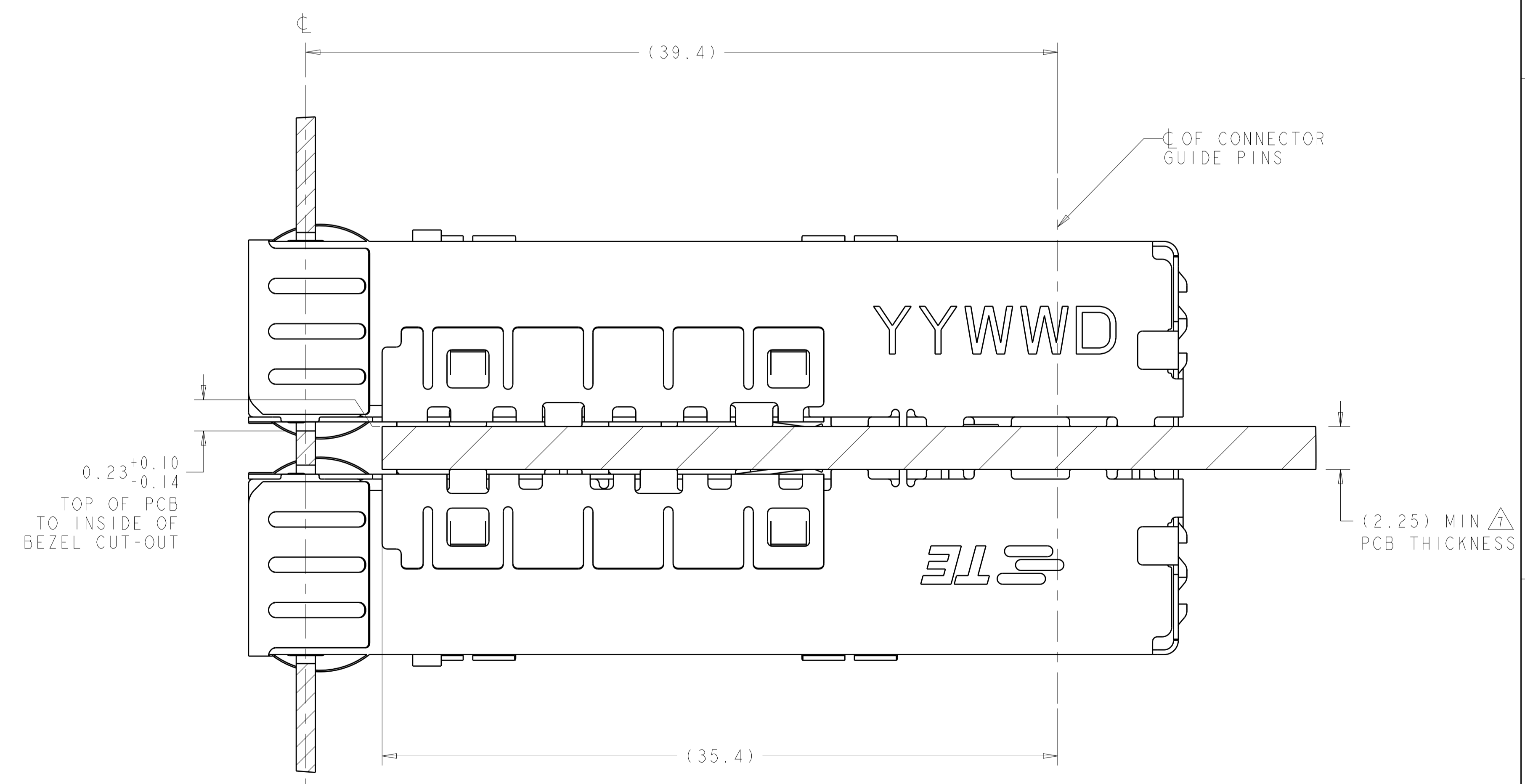
RECOMMENDED BEZEL CUT-OUT
 SINGLE SIDED APPLICATIONS
 SCALE 4:1



RECOMMENDED BEZEL CUT-OUT
 BELLY TO BELLY APPLICATIONS



2180739-1
 MOUNTED ON PC BOARD
 SHOWN THRU RECOMMENDED BEZEL



2180739-1
 MOUNTED BELLY TO BELLY ON PC BOARD
 SHOWN THRU RECOMMENDED BEZEL

THIS DRAWING IS A CONTROLLED DOCUMENT.		OWN: B. MATTHEWS 24MAY2011	TE Connectivity NAME: SFP+ ENHANCED 1X2 CAGE ASSEMBLY, PRESS-FIT, EMI SPRINGS
DIMENSIONS: mm		CHK: M. SCHMITT 24MAY2011	
TOLERANCES UNLESS OTHERWISE SPECIFIED:		APVD: M. SCHMITT 24MAY2011	SIZE: CAGE CODE DRAWING NO. RESTRICTED TO
0 PLC ±0.13	1 PLC ±0.1	PRODUCT SPEC	A100779C=2180739
2 PLC ±0.08	3 PLC ±0.05	108-2364	SCALE 6:1 SHEET 2 OF 4 REV A2
4 PLC ±0.05	ANGLES ±0.5	APPLICATION SPEC	
MATERIAL	FINISH	114-13120	
Customer Drawing		WEIGHT	

