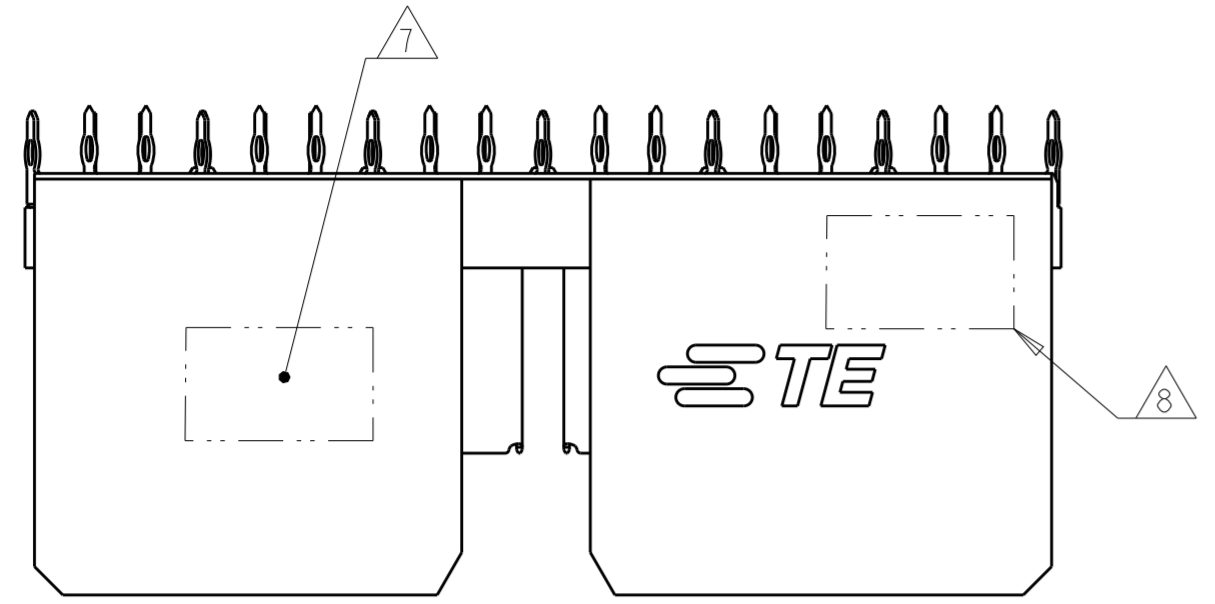
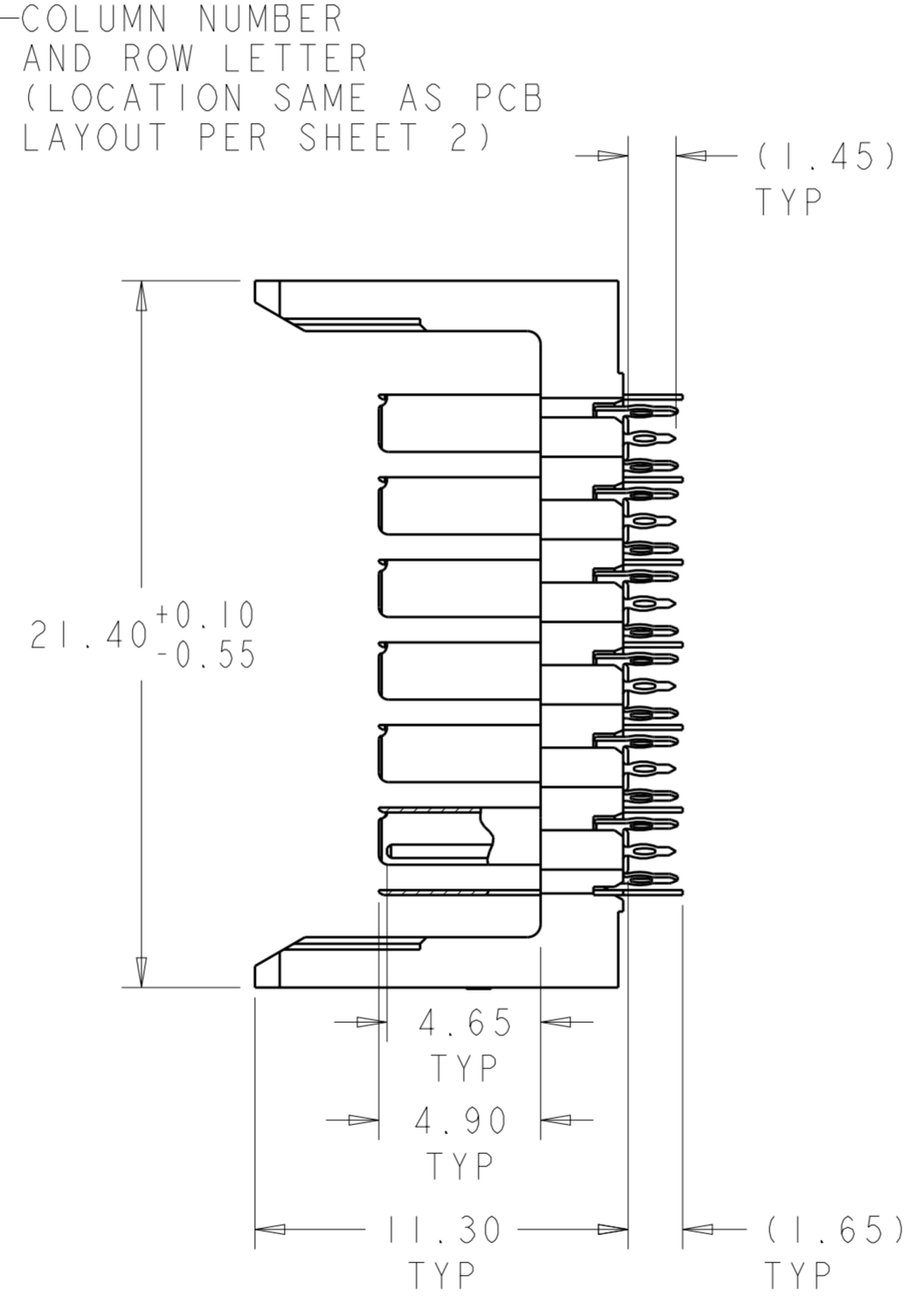
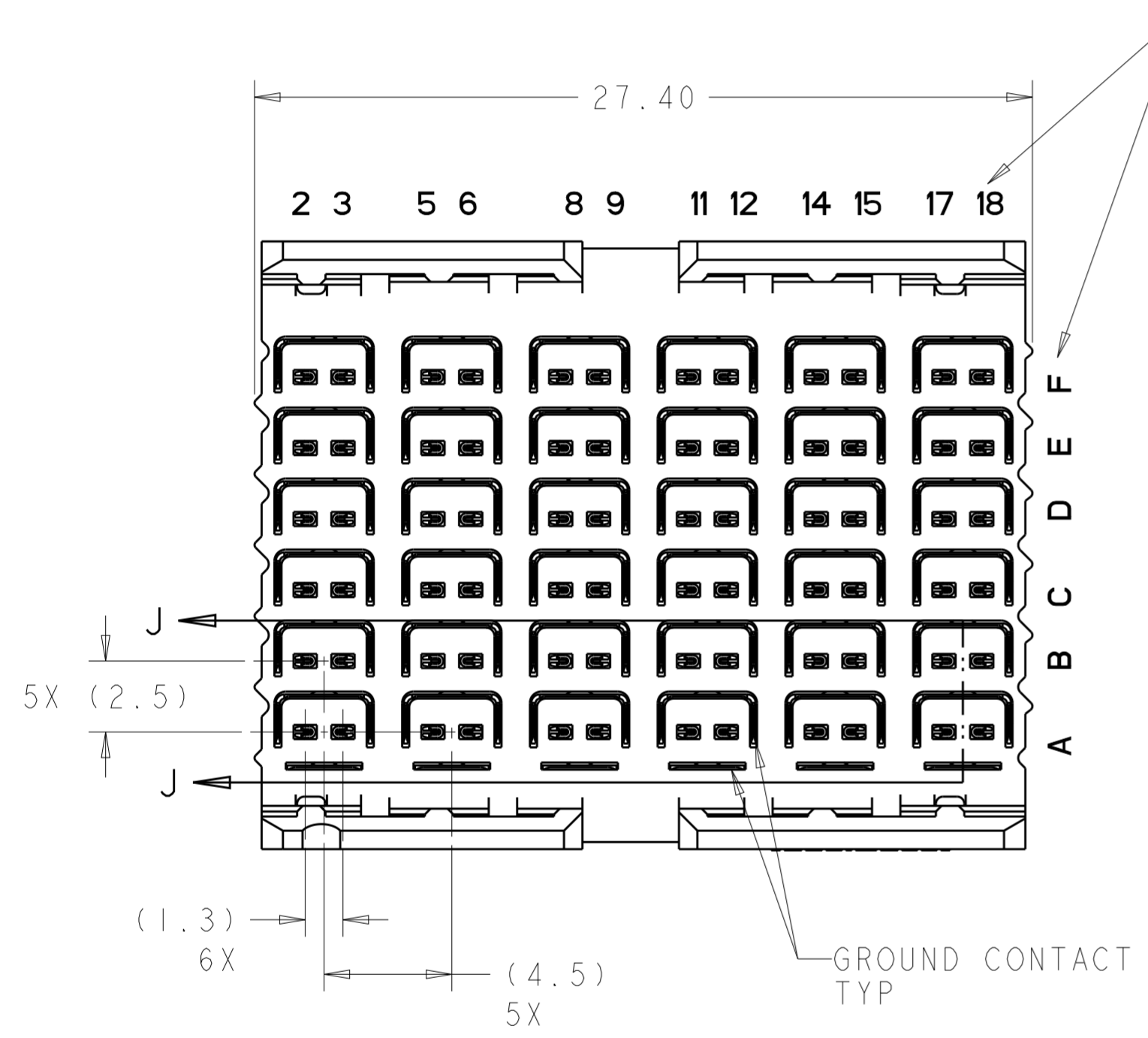


THIS DRAWING IS UNPUBLISHED. RELEASED FOR PUBLICATION 20
 © COPYRIGHT 20 TE CONNECTIVITY ALL RIGHTS RESERVED.

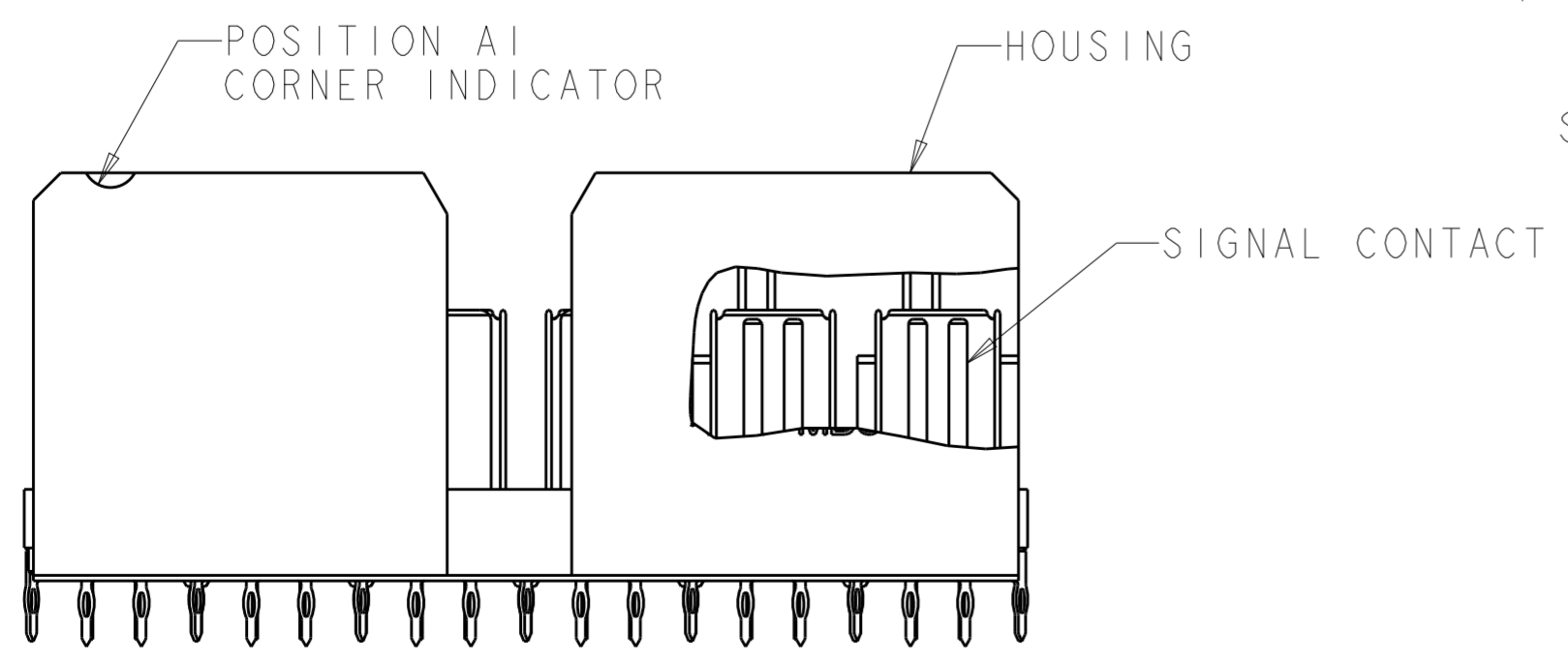
LOC	DIST	REVISIONS					
GP	00	P	LTR	DESCRIPTION	DATE	DWN	APVD
		A		INITIAL RELEASE	28OCT2013	J.G	C.Z
		B		UPDATED FHS ON NOTE 4	14NOV2013	J.G	C.Z
		C		REVISED PER ECO-17-006848	10MAY2017	JM	SS
		D		REVISED PER ECO-19-001409	01FEB2019	AP	RP



- ① HOUSING: THERMOPLASTIC, UL 94V-0, BLACK. CONTACT: COPPER ALLOY.
- ② CONFORMS TO REQUIREMENTS OF TE PRODUCT SPEC 108-2413, BASED ON TELECORDIA GR-1217-CORE FOR SYSTEM QUALITY LEVEL III APPLICATIONS IN CONTROLLED ENVIRONMENTS (CENTRAL OFFICE).
- ③ CONSULT APPLICATION SPECIFICATION 114-13301.
- ④ PLATED THRU HOLE REQUIREMENTS:
 FINISHED HOLE = $\varnothing 0.344 \pm 0.046$ mm
 DRILLED HOLE BEFORE PLATING = $\varnothing 0.420 \sim 0.435$ mm
 COPPER THICKNESS = 0.042mm REF
- ⑤ PLATED THRU HOLE DIMENSIONS APPLY TO 1.00mm DEPTH FROM MOUNT SIDE OF BOARD.
- ⑥ HOLE POSITION TOLERANCE APPLIES WITHIN PATTERN FOR CONNECTOR PATTERN TO CONNECTOR PATTERN, A 0.12(M) POSITION TOLERANCE APPLIES.
- ⑦ CONNECTOR MARKED WITH PART NUMBER, DATE CODE, AND OPTIONAL MANUFACTURING LOCATION IDENTIFICATION CODE IN APPROXIMATE AREA SHOWN.
- ⑧ CONNECTOR MARKED WITH 2D BARCODE IN APPROXIMATE AREA SHOWN.



SECTION J-J

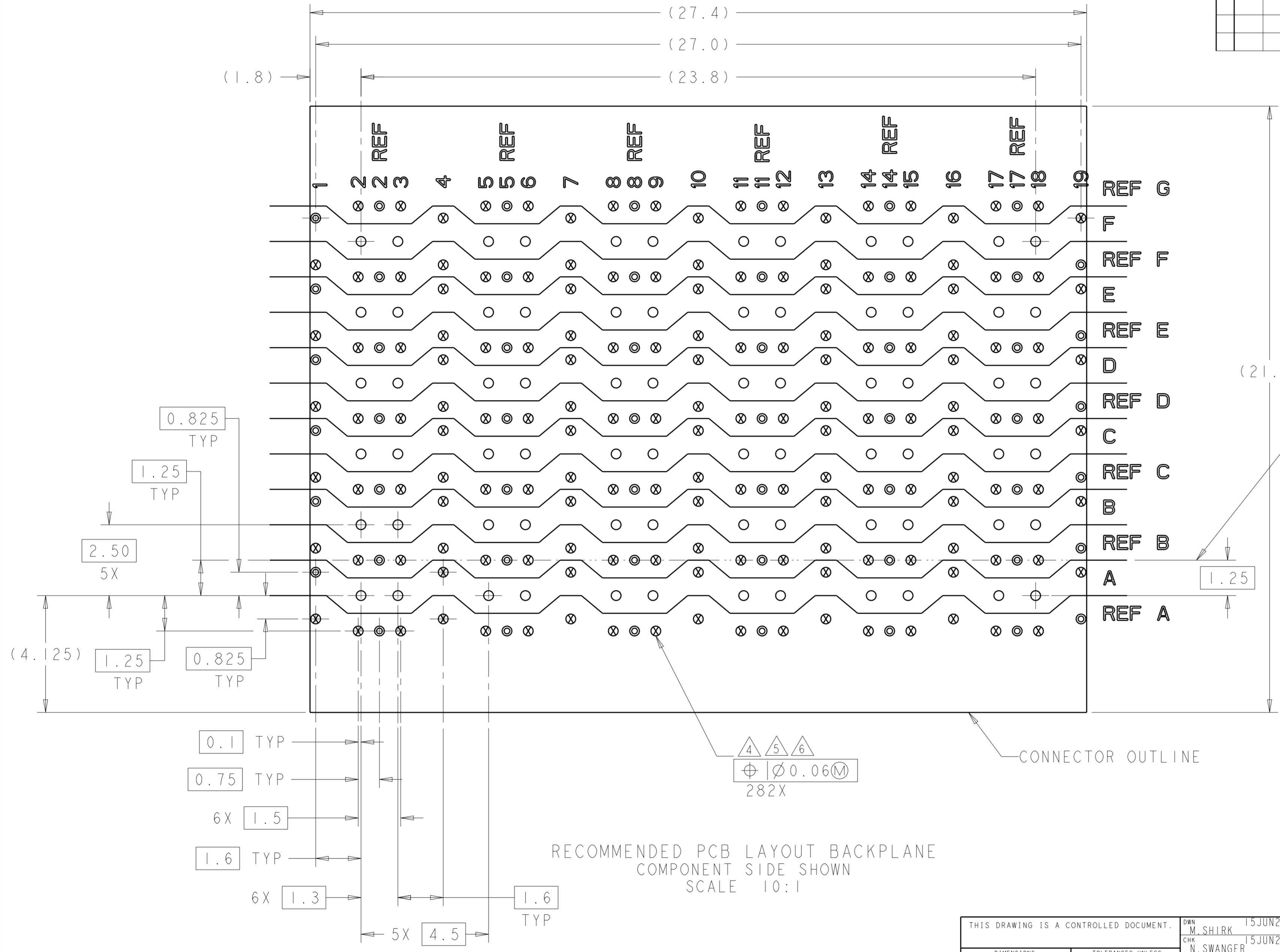


72	TIN	2180826-2
72	TIN-LEAD	2180826-1
SIGNAL CONTACT QTY REF	PRESS FIT TAIL PLATING	PART NO

THIS DRAWING IS A CONTROLLED DOCUMENT.		DWN M. SHIRK 15JUN2011	TE Connectivity
DIMENSIONS: mm		CHK N. SWANGER 15JUN2011	
TOLERANCES UNLESS OTHERWISE SPECIFIED:		APVD N. SWANGER 15JUN2011	
0 PLC ± 1 PLC ± 2 PLC ±0.10 3 PLC ± 4 PLC ± ANGLES ± FINISH ±		PRODUCT SPEC ② APPLICATION SPEC ③ WEIGHT - CUSTOMER DRAWING	
MATERIAL ① - SEE TABLE		NAME HEADER ASSEMBLY, 6 PAIR 6 COLUMN, 4.5mm PITCH, STRADA WHISPER	RESTRICTED TO -
		SIZE A2 CAGE CODE 00779 DRAWING NO C-2180826	
		SCALE 5:1 SHEET 1 OF 2 REV D	

THIS DRAWING IS UNPUBLISHED. RELEASED FOR PUBLICATION 20
 © COPYRIGHT 20 TE CONNECTIVITY ALL RIGHTS RESERVED.

LOC	DIST	REVISIONS					
GP	00	P	LTR	DESCRIPTION	DATE	DWN	APVD
		-		SEE SHEET 1			

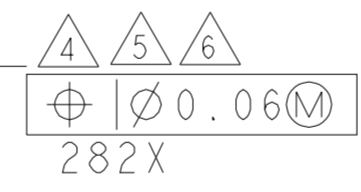


TOP SURFACE OF DAUGHTERCARD

CONNECTOR OUTLINE

- = SIGNAL
- ⊗ = GROUND
- ⊙ = SI VIA

RECOMMENDED PCB LAYOUT BACKPLANE
 COMPONENT SIDE SHOWN
 SCALE 10:1



- 0.1 TYP
- 0.75 TYP
- 6X 1.5
- 1.6 TYP
- 6X 1.3
- 5X 4.5
- 1.6 TYP

THIS DRAWING IS A CONTROLLED DOCUMENT.		DWN M. SHIRK 15JUN2011	 TE Connectivity	NAME		
DIMENSIONS: mm		CHK N. SWANGER 15JUN2011		HEADER ASSEMBLY, 6 PAIR 6 COLUMN, 4.5mm PITCH, STRADA WHISPER		
TOLERANCES UNLESS OTHERWISE SPECIFIED:		APVD N. SWANGER 15JUN2011		SIZE	CAGE CODE	DRAWING NO
0 PLC ±		PRODUCT SPEC		A200779	C-2180826	RESTRICTED TO
1 PLC ±		APPLICATION SPEC	WEIGHT	SCALE 5:1	SHEET 2 OF 2	
2 PLC ±0.10		MATERIAL	CUSTOMER DRAWING	REV D		
3 PLC ±						
4 PLC ±						
ANGLES ±						
FINISH						