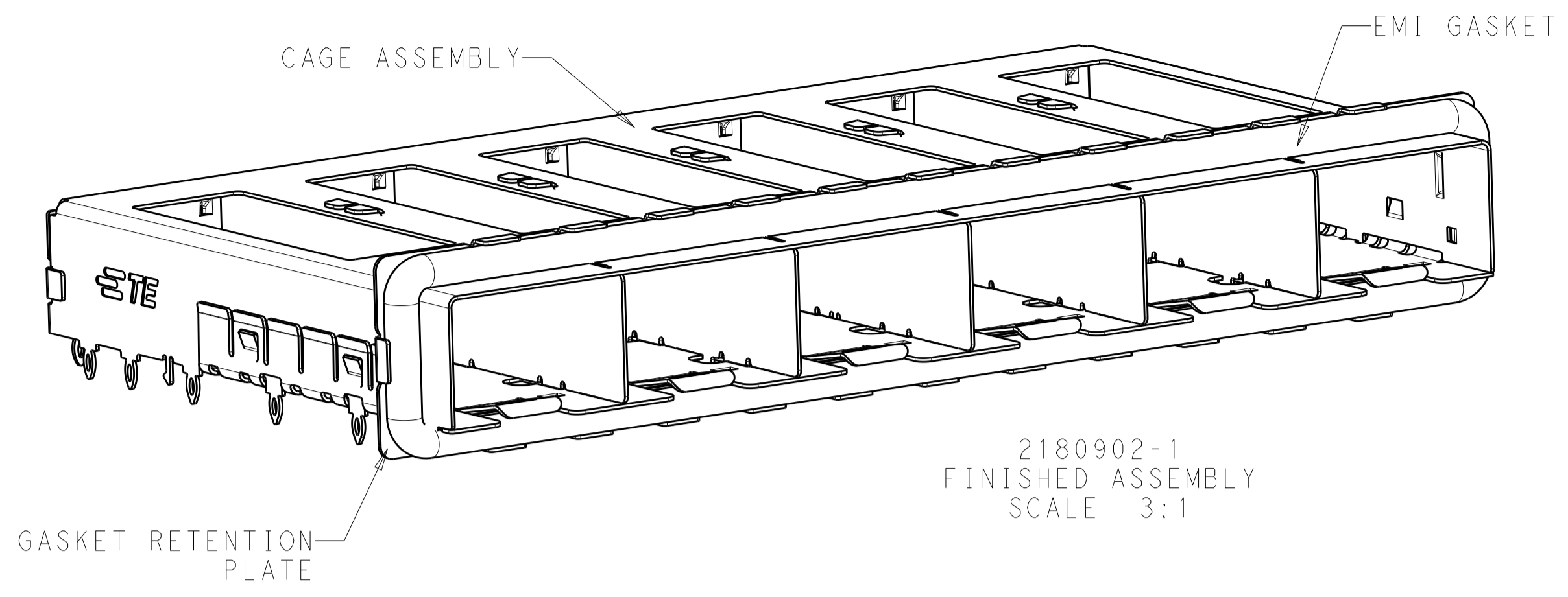
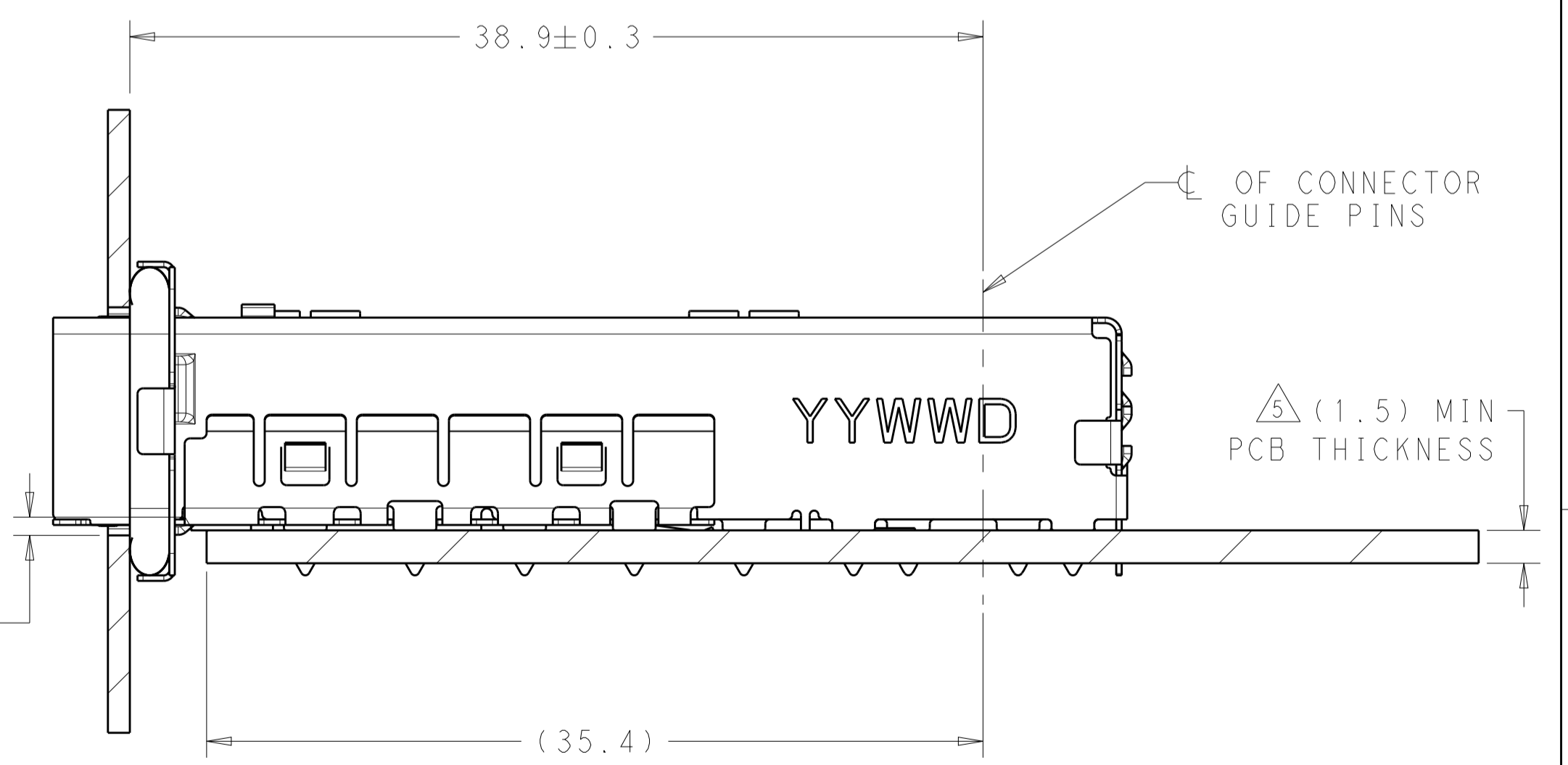
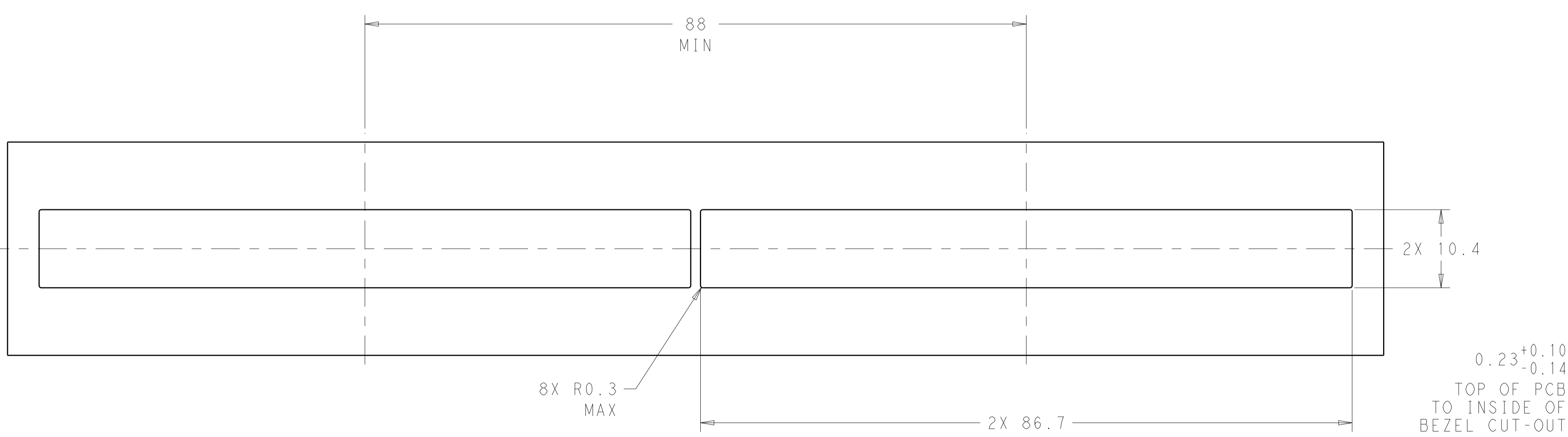
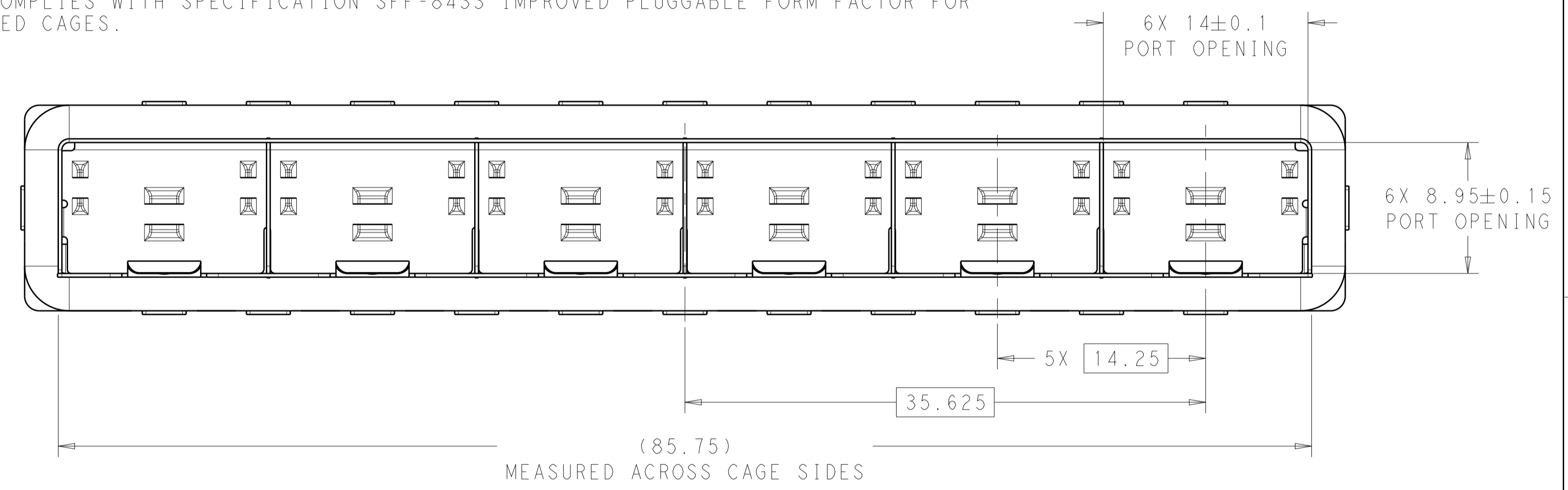
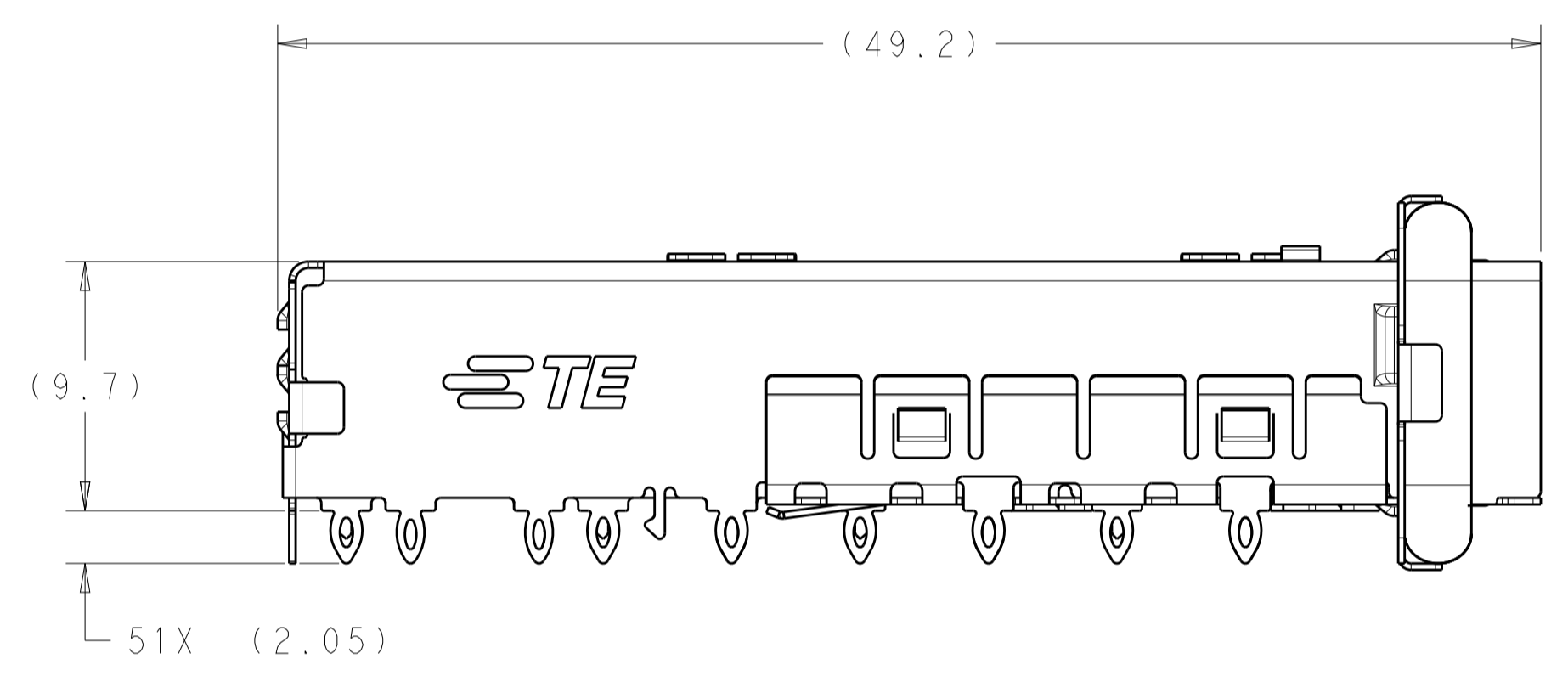


LOC	DIST	REVISIONS			
P	LTN	DESCRIPTION	DATE	DMN	APV
GP	00	A	RELEASED PER ECO-12-013192	04SEP2012	BMM MRS



1. MATERIAL:
CAGE ASSEMBLY: NICKEL SILVER ALLOY, 0.25mm THICK.
GASKET RETENTION PLATE: STAINLESS STEEL
EMI GASKET: PLATED FILLED SILICONE
2. MATES WITH SFP MSA COMPLIANT TRANSCEIVERS.
3. PADS AND VIAS CHASSIS GROUND.
4. INTERPRETATION OF DATUM REFERENCE FRAME IN ACCORDANCE WITH SECT 4.4.1.1 OF ASME Y14.5M-1994.
5. MINIMUM PCB BOARD THICKNESS:
SINGLE SIDED = 1.50
6. HOLE PATTERN REPEATS FOR EACH PORT. SPACING BETWEEN PORTS IS 14.25mm.
7. DATUM AND BASIC DIMENSION ESTABLISHED BY CUSTOMER.
8. REFERENCE APPLICATION SPEC. 114-13120, HOLE A, FOR RECOMMENDED DRILL HOLE DIAMETER AND PLATING THICKNESS.
9. REFERENCE APPLICATION SPEC. 114-13120, HOLE B, FOR RECOMMENDED DRILL HOLE DIAMETER AND PLATING THICKNESS.
10. CERTAIN MATING TRANSCEIVERS MAY REQUIRE ADDITIONAL PCB THICKNESS THAT WOULD BE DETERMINED BY THE CUSTOMER.
11. PRODUCT COMPLIES WITH SPECIFICATION SFF-8433 IMPROVED PLUGGABLE FORM FACTOR FOR SFP+ GANGED CAGES.



RECOMMENDED BEZEL CUT-OUT
SINGLE SIDED APPLICATIONS
SCALE 5:2

2180902-1
MOUNTED ON PC BOARD
SHOWN THRU RECOMMENDED BEZEL

2180902-1
PART NUMBER

THIS DRAWING IS A CONTROLLED DOCUMENT.		DMN: B MATTHEWS 20 JUL 2011	
DIMENSIONS:		CHK: M SCHMITZ 20 JUL 2011	
mm	TOLERANCES UNLESS OTHERWISE SPECIFIED:	APV: M SCHMITZ 20 JUL 2011	PRELIMINARY SFP+ ENHANCED 1X8 CAGE SUBASSEMBLY PRESS FIT, EMI GASKET
0 PLC ±0.1 2 PLC ±0.1 3 PLC ±0.1 4 PLC ±0.1 ANGLES ±0.1 FINISH ±1*	PRODUCT SPEC: 108-2364 APPLICATION SPEC: 114-13120 WEIGHT: - CUSTOMER DRAWING	SIZE: CAGE CODE DRAWING NO: A100779C=2180902 RESTRICTED TO: - SCALE: 4:1 SHEET 1 OF 2 REV A	

