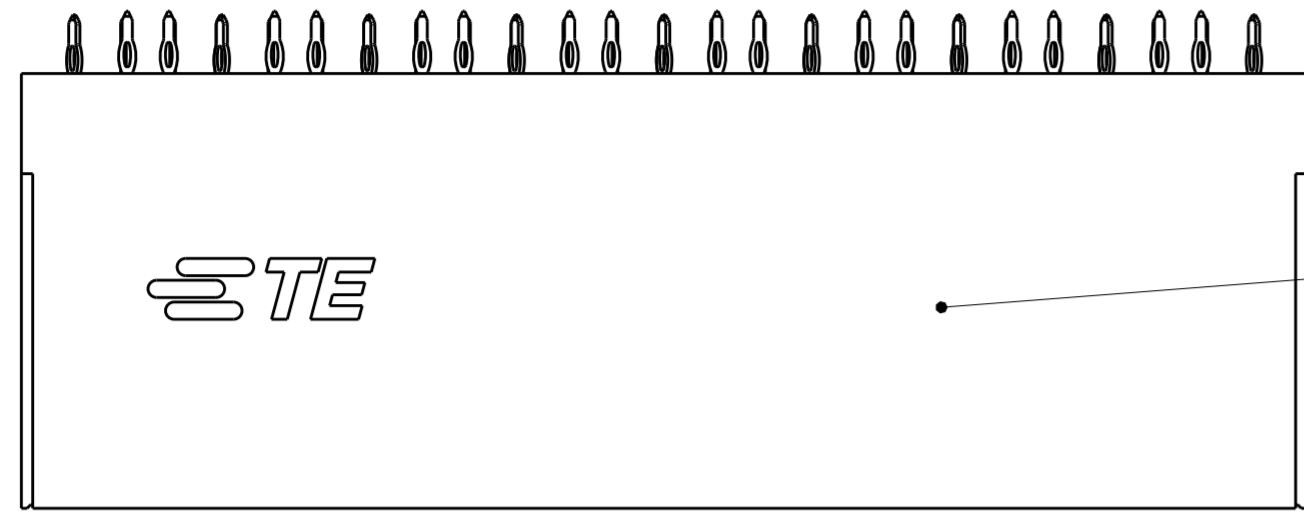
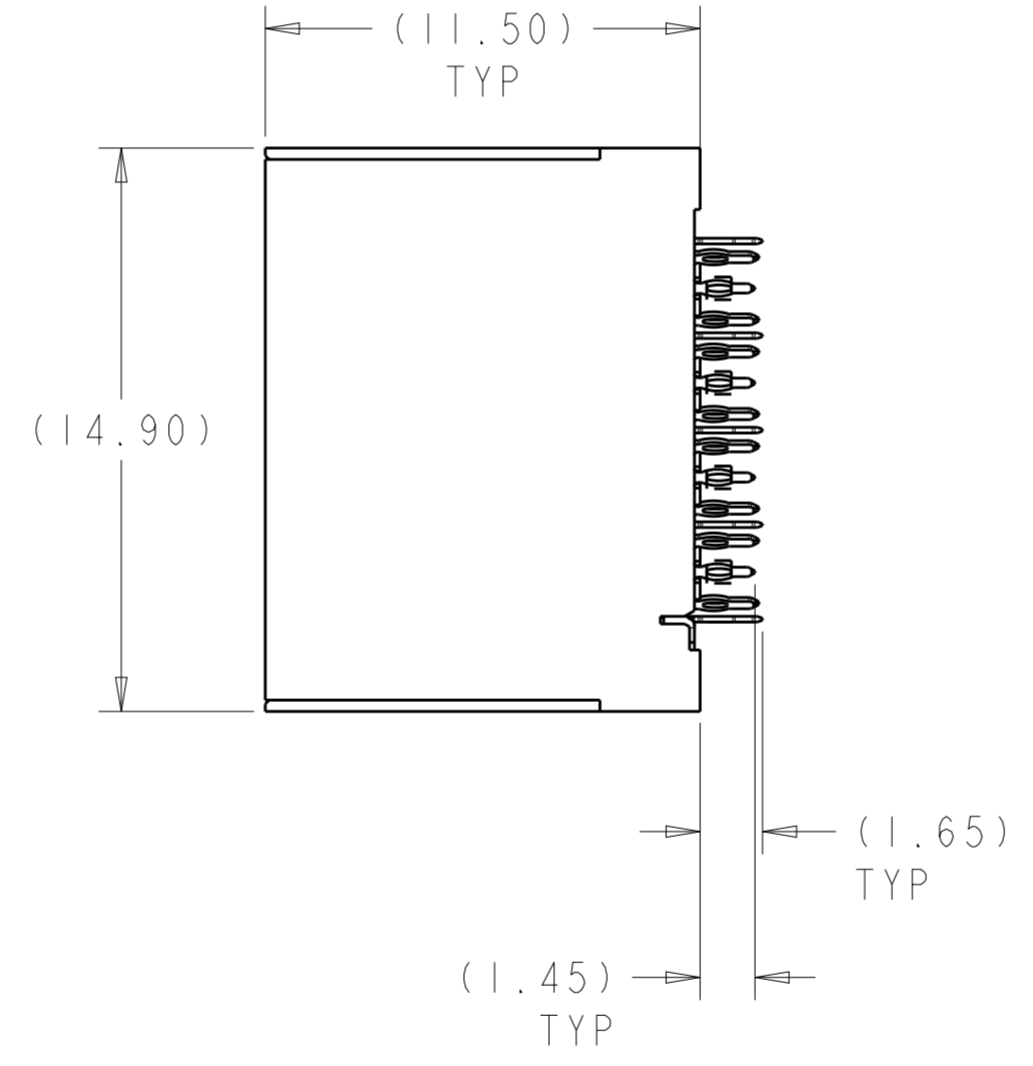
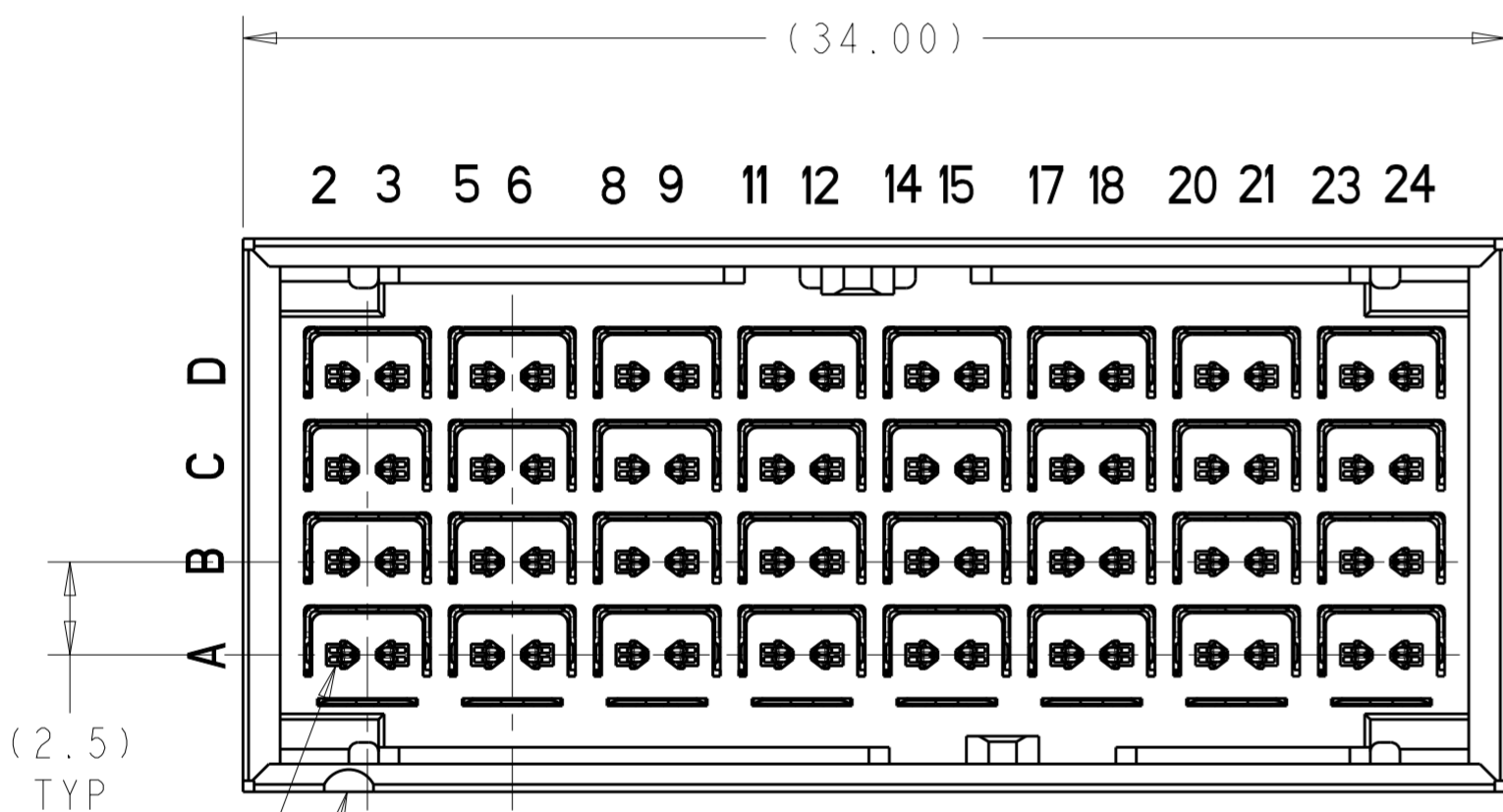


THIS DRAWING IS UNPUBLISHED. RELEASED FOR PUBLICATION 2011
 © COPYRIGHT 2011 BY TE CONNECTIVITY ALL RIGHTS RESERVED.

LOC	DIST	REVISIONS					
GP	00	P	LTR	DESCRIPTION	DATE	DWN	APVD
		A		NEW DRAWING	25JUL2018	AP	RP



- 1 MATERIAL:
HOUSING: THERMOPLASTIC, UL 94V-0, BLACK
CONTACTS AND SHIELDS: COPPER ALLOY
- 2 FINISH:
- CONFORMS TO THE REQUIREMENTS OF TE PRODUCT SPECIFICATION 108-32021 BASED ON TELCORDIA GR-1217-CORE FOR SYSTEM QUALITY LEVEL III, APPLICATIONS IN CONTROLLED ENVIRONMENTS (CENTRAL OFFICE).
- COMPLIANT PIN AREA: 0.5µm MIN MATTE TIN.
- 3 SIGNAL PLATED THRU HOLE REQUIREMENTS:
FINISHED HOLE = $\varnothing 0.34 \pm 0.05$
HOLE SIZE PRIOR TO PLATING = $\varnothing 0.420 \pm 0.025$
COPPER THICKNESS = 0.025 MIN
IMMERSION TIN IF APPLICABLE = 0.00095 REF
- 4 GROUND AND SI VIA PLATED THRU HOLE REQUIREMENTS:
FINISHED HOLE = $\varnothing 0.37 \pm 0.05$
HOLE SIZE PRIOR TO PLATING = $\varnothing 0.450 \pm 0.025$
COPPER THICKNESS = 0.025 MIN
IMMERSION TIN IF APPLICABLE = 0.00095 REF
- 5 PTH DIMENSIONS APPLY TO THE TOP 1.00mm OF THE PCB THICKNESS FROM THE CONNECTOR MOUNTING SIDE.
- 6 CONNECTOR MARKED WITH PART NUMBER, DATE CODE, AND "100 OHM" IN APPROXIMATE AREA SHOWN.
- 7 DATUMS AND BASIC DIMENSIONS ESTABLISHED BY CUSTOMER.
- 8 APPLIES TO FINISHED HOLE DIAMETER.



POSITION A1
CORNER INDICATOR

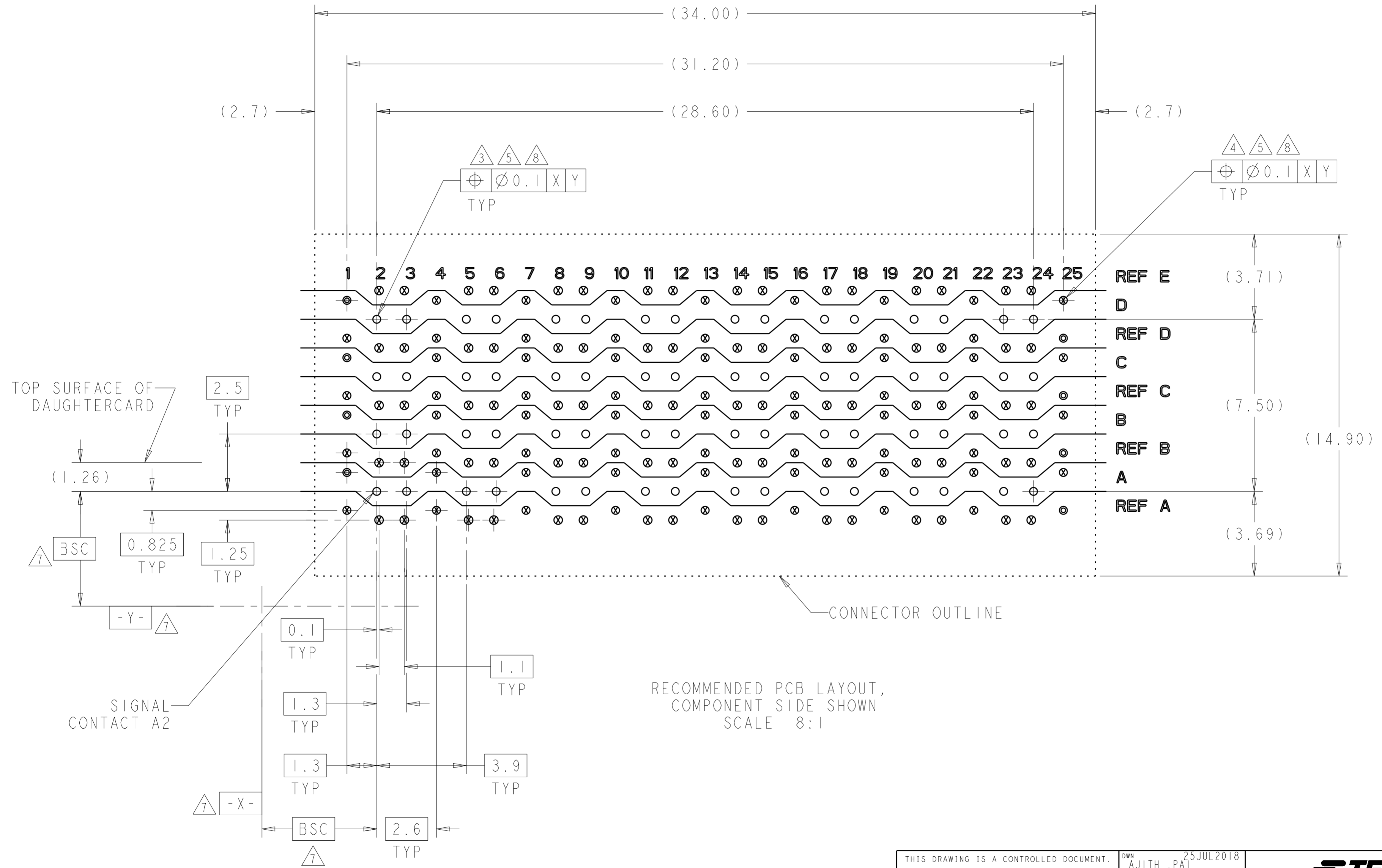
SIGNAL CONTACT A2

2187799-1
PART NO

THIS DRAWING IS A CONTROLLED DOCUMENT.		DWN AJITH .PAL 25JUL2018	STE TE Connectivity	
DIMENSIONS: mm		CHK AJITH .PAL 25JUL2018		
TOLERANCES UNLESS OTHERWISE SPECIFIED:		APVD R. PATTERSON 25JUL2018	NAME HEADER ASSEMBLY, 4 PAIR, 8 COLUMN, BACKPLANE, 92 OHM, PAIR-IN-ROW, STRADA WHISPER	
0 PLC ± 1 PLC ± 2 PLC ± 3 PLC ± 4 PLC ± ANGLES ± FINISH		PRODUCT SPEC 108-32021	SIZE A2	CAGE CODE 00779
MATERIAL 1 - 2 -		APPLICATION SPEC 114-32029	DRAWING NO C-2187799	RESTRICTED TO -
		WEIGHT -	SCALE 5:1 SHEET 1 OF 2 REV A	
		CUSTOMER DRAWING		

THIS DRAWING IS UNPUBLISHED. RELEASED FOR PUBLICATION 2011
 © COPYRIGHT 2011 BY TE CONNECTIVITY ALL RIGHTS RESERVED.

LOC	DIST	REVISIONS					
GP	00	P	LTR	DESCRIPTION	DATE	DWN	APVD
		-		SEE SHEET 1			



RECOMMENDED PCB LAYOUT,
 COMPONENT SIDE SHOWN
 SCALE 8:1

- o = SIGNAL
- x = GROUND
- o with x = SIGNAL INTEGRITY VIA TO GROUND

THIS DRAWING IS A CONTROLLED DOCUMENT.		DWN 25 JUL 2018 AJITH . PAL	 TE Connectivity	NAME		
DIMENSIONS: mm		CHK 25 JUL 2018 AJITH . PAL		HEADER ASSEMBLY, 4 PAIR, 8 COLUMN, BACKPLANE, 92 OHM, PAIR-IN-ROW, STRADA WHISPER		
TOLERANCES UNLESS OTHERWISE SPECIFIED:		APVD 25 JUL 2018 R. PATTERSON		SIZE	CAGE CODE	DRAWING NO
0 PLC ± 1 PLC ± 2 PLC ± 3 PLC ± 4 PLC ± ANGLES ± FINISH ±		PRODUCT SPEC 108-32021		A2	00779	C-2187799
MATERIAL		WEIGHT	RESTRICTED TO			
		CUSTOMER DRAWING	SCALE 5:1	SHEET 2 OF 2	REV A	