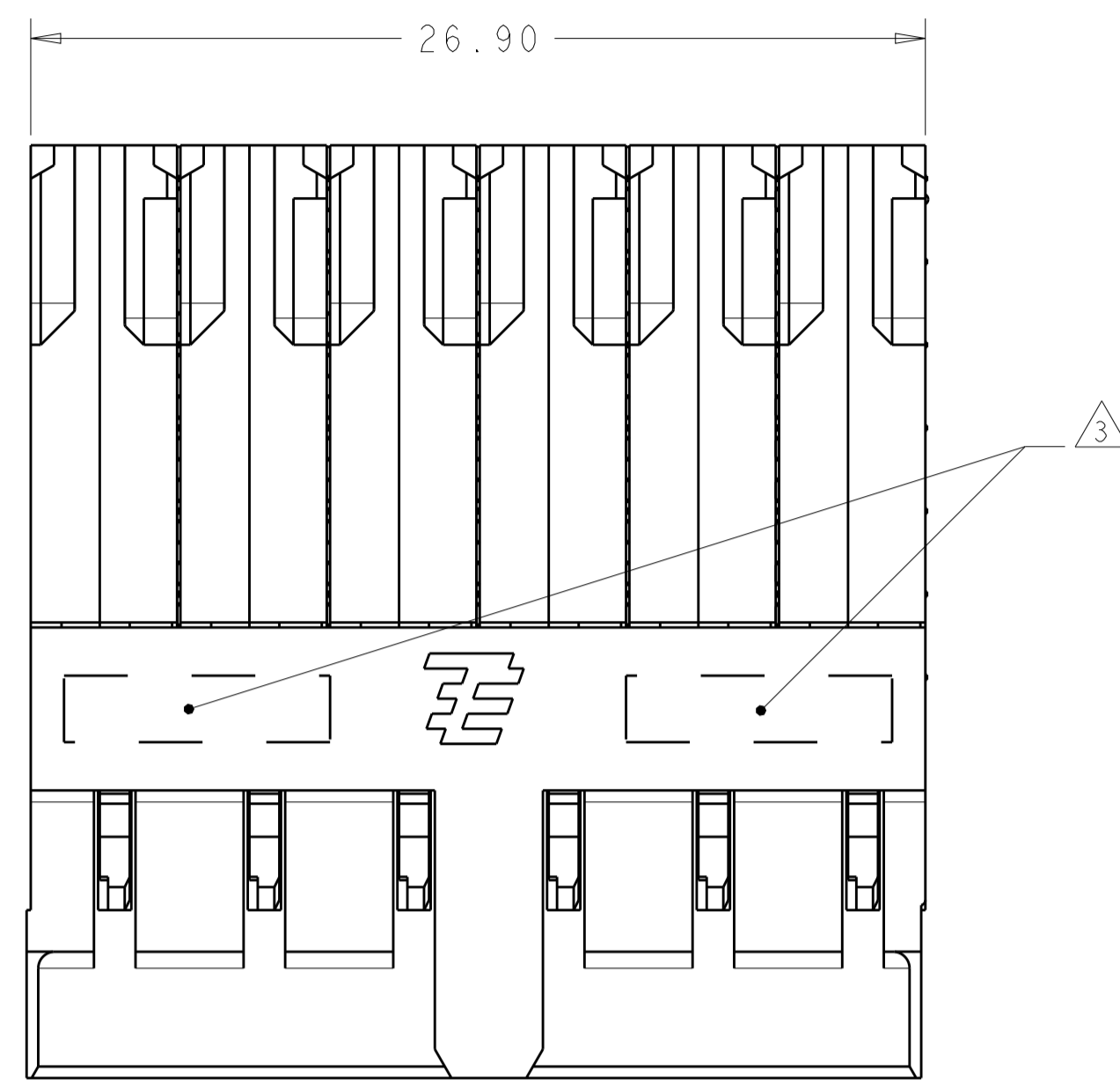
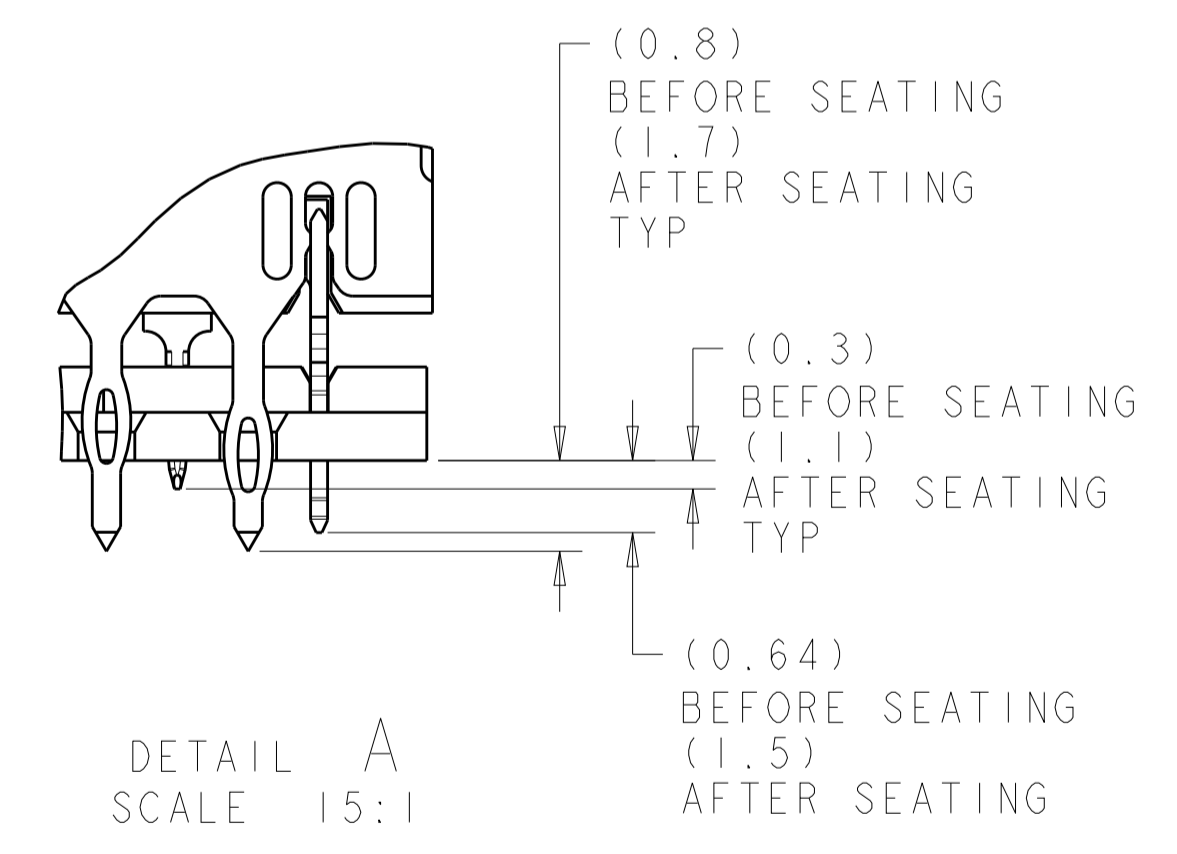
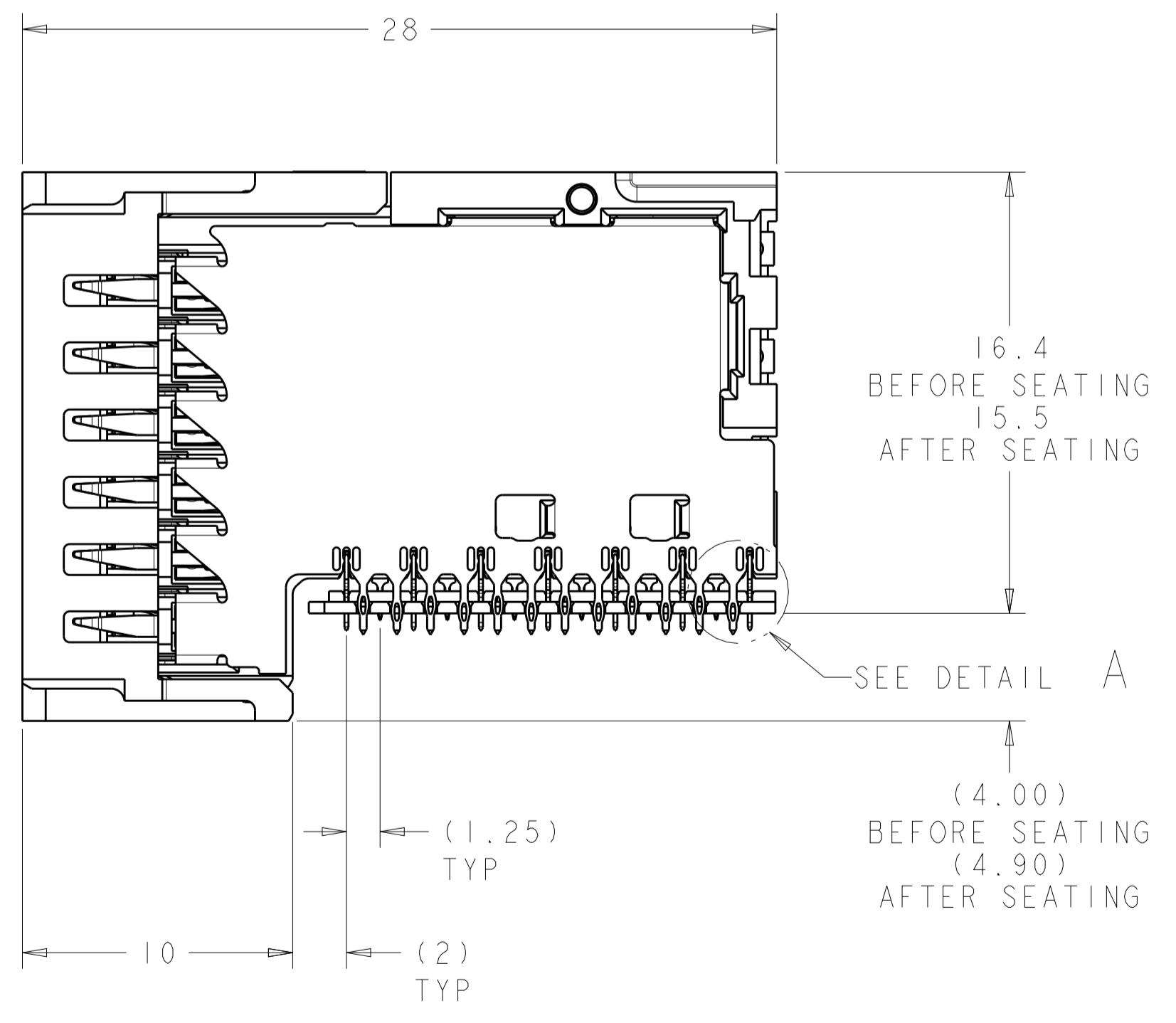
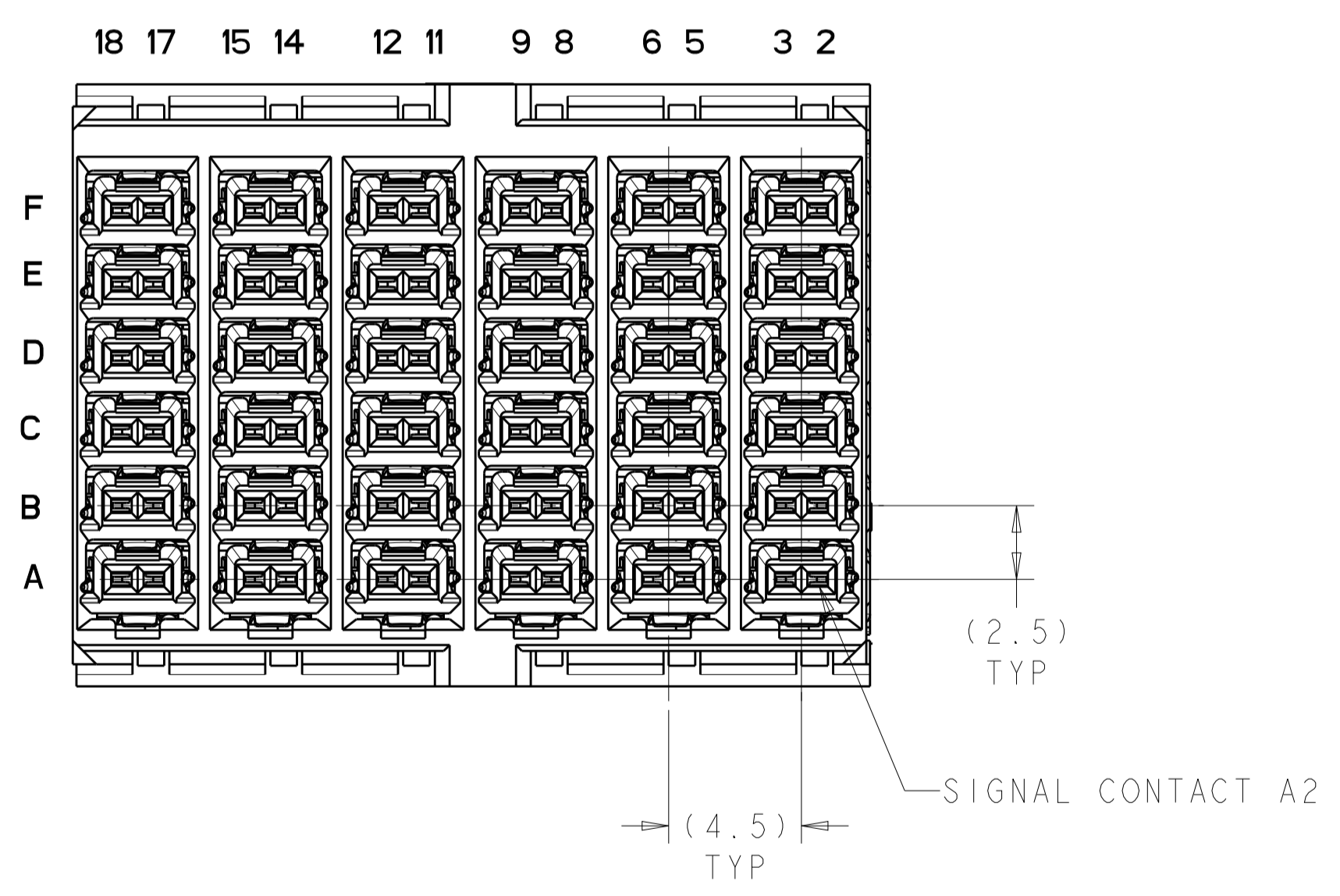


LOC		DIST		REVISIONS					
GP		00		P	LTN	DESCRIPTION	DATE	DWN	APVD
A						RELEASED	23MAR2014	RT	NS
B						REVISED PER ECO-17-006848	10MAY2017	JM	SS



- △ MATERIAL:
CONTACT AND SHIELD - COPPER ALLOY.
HOUSINGS, AND ORGANIZER - THERMOPLASTIC, UL 94V-0, BLACK.
- △ CONFORMS TO REQUIREMENTS OF TE PRODUCT SPECIFICATION 108-2413, BASED ON TELCORDIA GR-1217-CORE FOR SYSTEM QUALITY LEVEL III; APPLICATIONS IN CONTROLLED ENVIRONMENTS (CENTRAL OFFICE).
- △ CONNECTOR MARKED WITH PART NUMBER, DATE CODE, AND OPTIONAL MANUFACTURING LOCATION IDENTIFICATION CODE IN APPROXIMATE AREA SHOWN.
- 4. CONTACT AREA LUBRICATED WITH BELLCORE APPROVED LUBRICANT. TECHNICAL REFERENCE: GR-1217-CORE, ISSUE 2, DECEMBER 2008.
- △ 5 PLATED THRU HOLE REQUIREMENTS:
FINISHED HOLE = $\varnothing 0.344 \pm 0.039$
DRILLED HOLE = $\varnothing 0.420 \pm 0.013$
COPPER THICKNESS = 0.038 ± 0.013
IMMERSION TIN IF APPLICABLE = 0.00051 ± 0.00013
- △ 6 PLATED THRU HOLE REQUIREMENTS:
FINISHED HOLE = $\varnothing 0.244 \pm 0.039$
DRILLED HOLE = $\varnothing 0.320 \pm 0.013$
COPPER THICKNESS = 0.038 ± 0.013
IMMERSION TIN IF APPLICABLE = 0.00051 ± 0.00013
- △ PTH DIMENSIONS APPLY TO 1.00mm DEPTH FROM MOUNT SIDE OF PCB.
- △ 8 HOLE POSITION TOLERANCE APPLIES WITHIN PATTERN FOR CONNECTOR PATTERN TO CONNECTOR PATTERN, A 0.12 \varnothing POSITION TOLERANCE APPLIES.



TIN	2198265-2
TIN-LEAD	2198265-1
PRESS FIT TAIL PLATING	PART NO

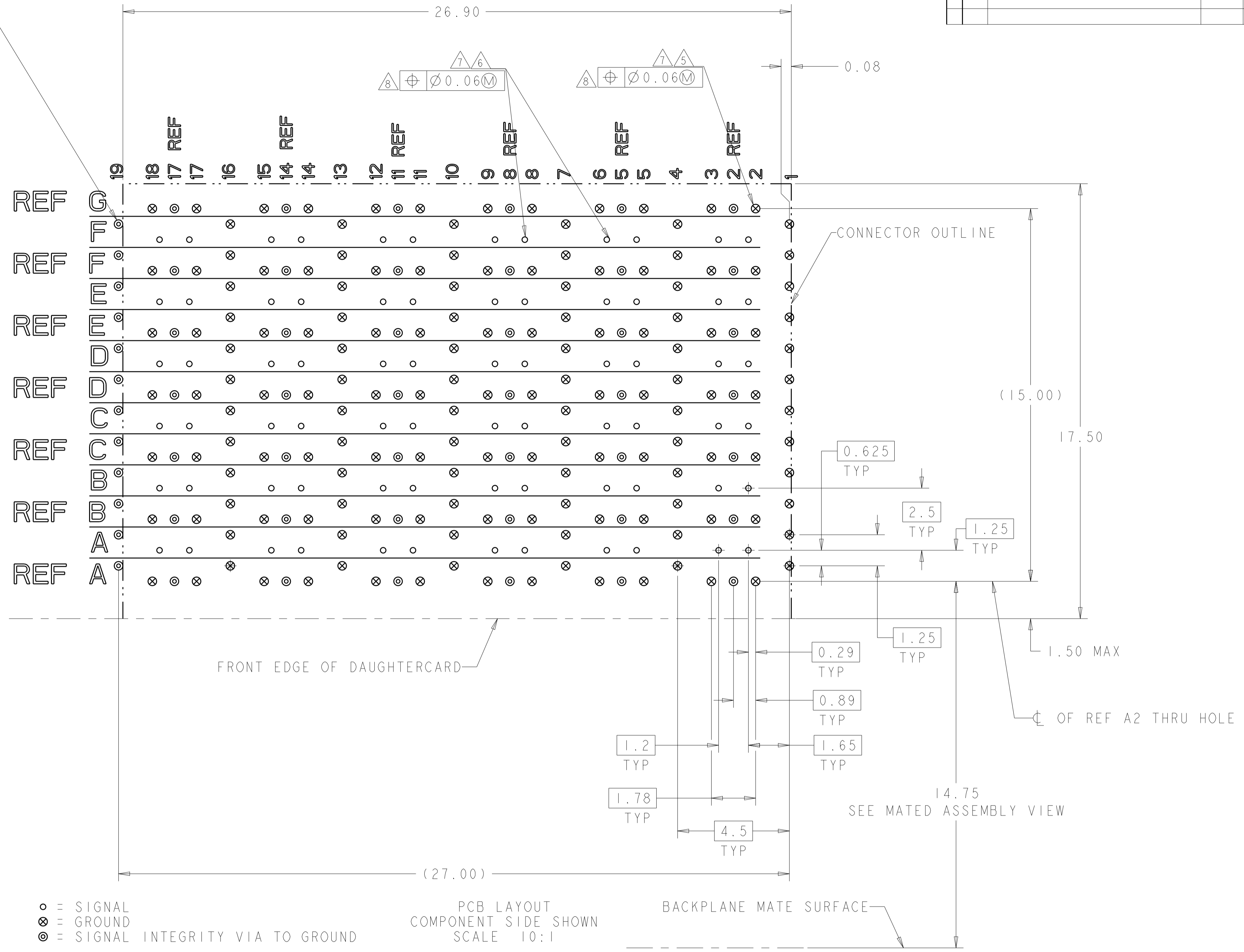
THIS DRAWING IS A CONTROLLED DOCUMENT.

DIMENSIONS:	TOLERANCES UNLESS OTHERWISE SPECIFIED:	DWN R. THOMPSON 29NOV2011	CHK N. SWANGER 29NOV2011	APVD N. SWANGER 29NOV2011
mm	0 PLC ± 0.2 1 PLC ± 0.2 2 PLC ± 0.08 3 PLC ± 0.13 4 PLC \pm	PRODUCT SPEC	APPLICATION SPEC	SIZE CAGE CODE DRAWING NO
MATERIAL	FINISH	114-13301	WEIGHT	A100779C=2198265
SEE TABLE		Customer Drawing	SCALE 5:1	SHEET 1 OF 2 REV B

STE TE Connectivity
 RECEPTACLE ASSEMBLY,
 6 PAIR 6 COLUMN, RIGHT ANGLE,
 4.5mm PITCH, STRADA WHISPER 360

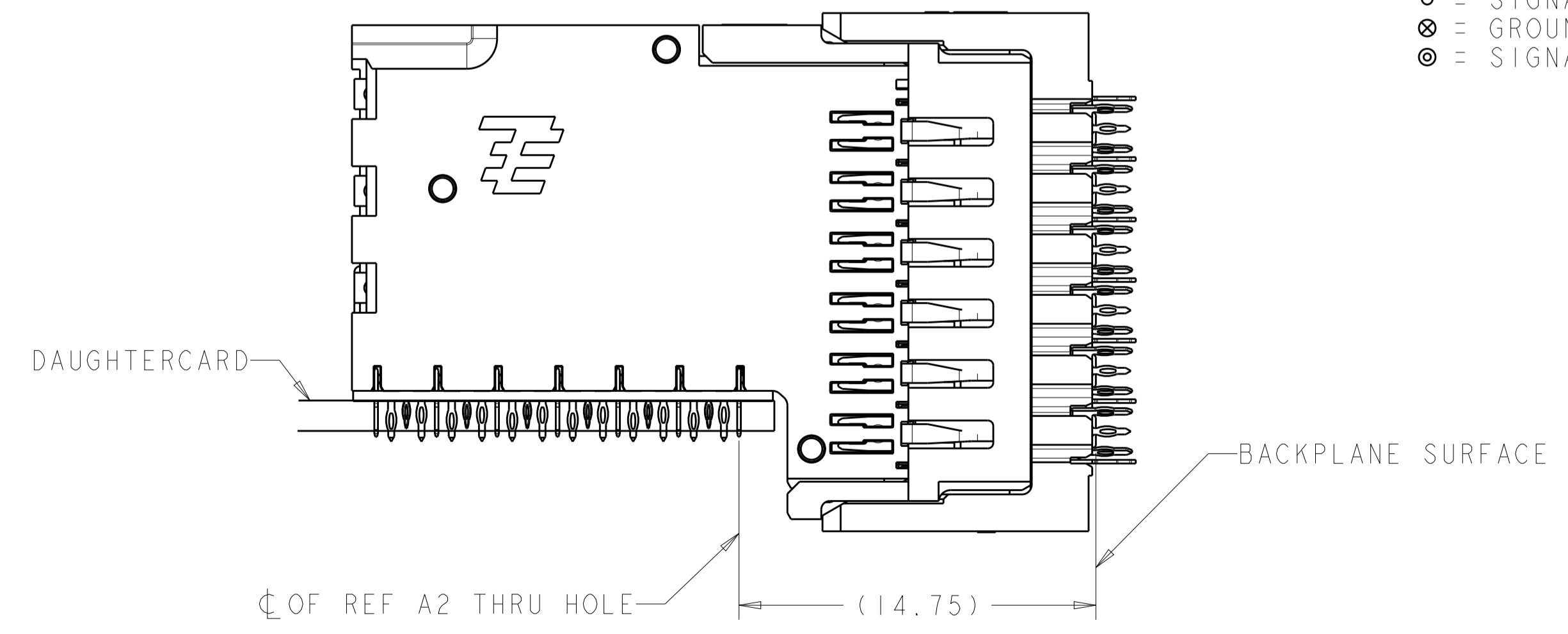
LOC		DIST		REVISIONS			
GP	00	P.	LYR	DESCRIPTION	DATE	OWN	APVD
		-		SEE SHEET 1			

FOOTPRINT SHOWN IS FOR SINGLE MODULE APPLICATION. WHEN CONNECTORS ARE STACKED SIDE BY SIDE, THESE SI VIAS ARE USED AS GROUNDS BY THE NEXT CONNECTOR



○ = SIGNAL
 ⊗ = GROUND
 ⊙ = SIGNAL INTEGRITY VIA TO GROUND

PCB LAYOUT
 COMPONENT SIDE SHOWN
 SCALE 10:1



MATED ASSEMBLY VIEW
 SCALE 5:1

THIS DRAWING IS A CONTROLLED DOCUMENT.		OWN K. THOMPSON 29NOV2011	NAME
DIMENSIONS:		CHK N. SWANGER 29NOV2011	RECEPTACLE ASSEMBLY, 6 PAIR 6 COLUMN, RIGHT ANGLE, 4.5mm PITCH, STRADA WHISPER 360
mm	TOLERANCES UNLESS OTHERWISE SPECIFIED:	APVD N. SWANGER 29NOV2011	SIZE CAGE CODE DRAWING NO RESTRICTED TO
0 PLC	±	PRODUCT SPEC	A100779C=2198265
1 PLC	±0.08	APPLICATION SPEC	SCALE 5:1 SHEET 2 OF 2 REV B
2 PLC	±0.13	WEIGHT	Customer Drawing
3 PLC	±	FINISH	
4 PLC	±		
ANGLES	±		