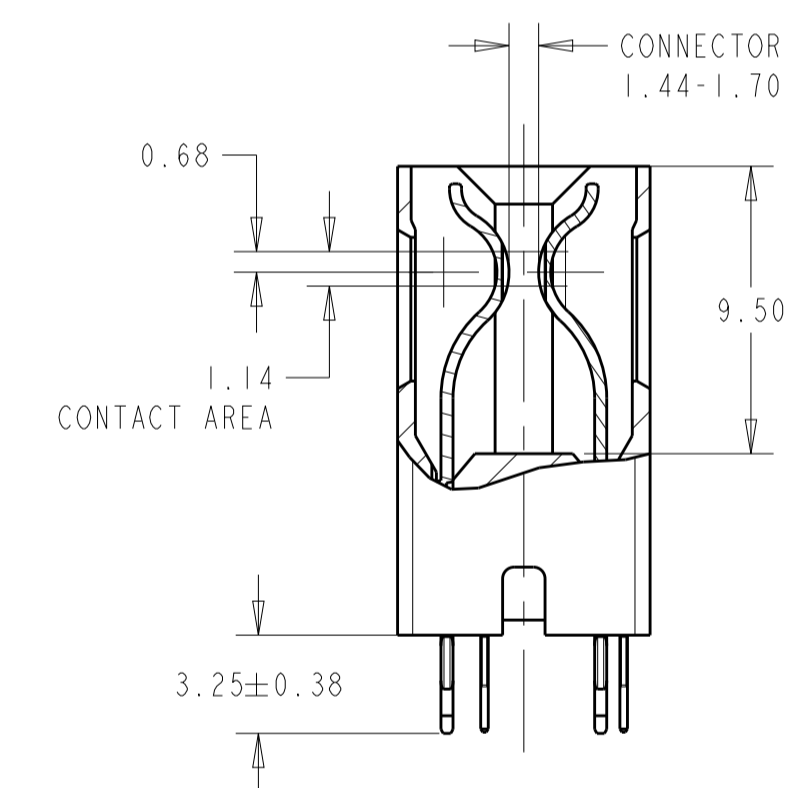
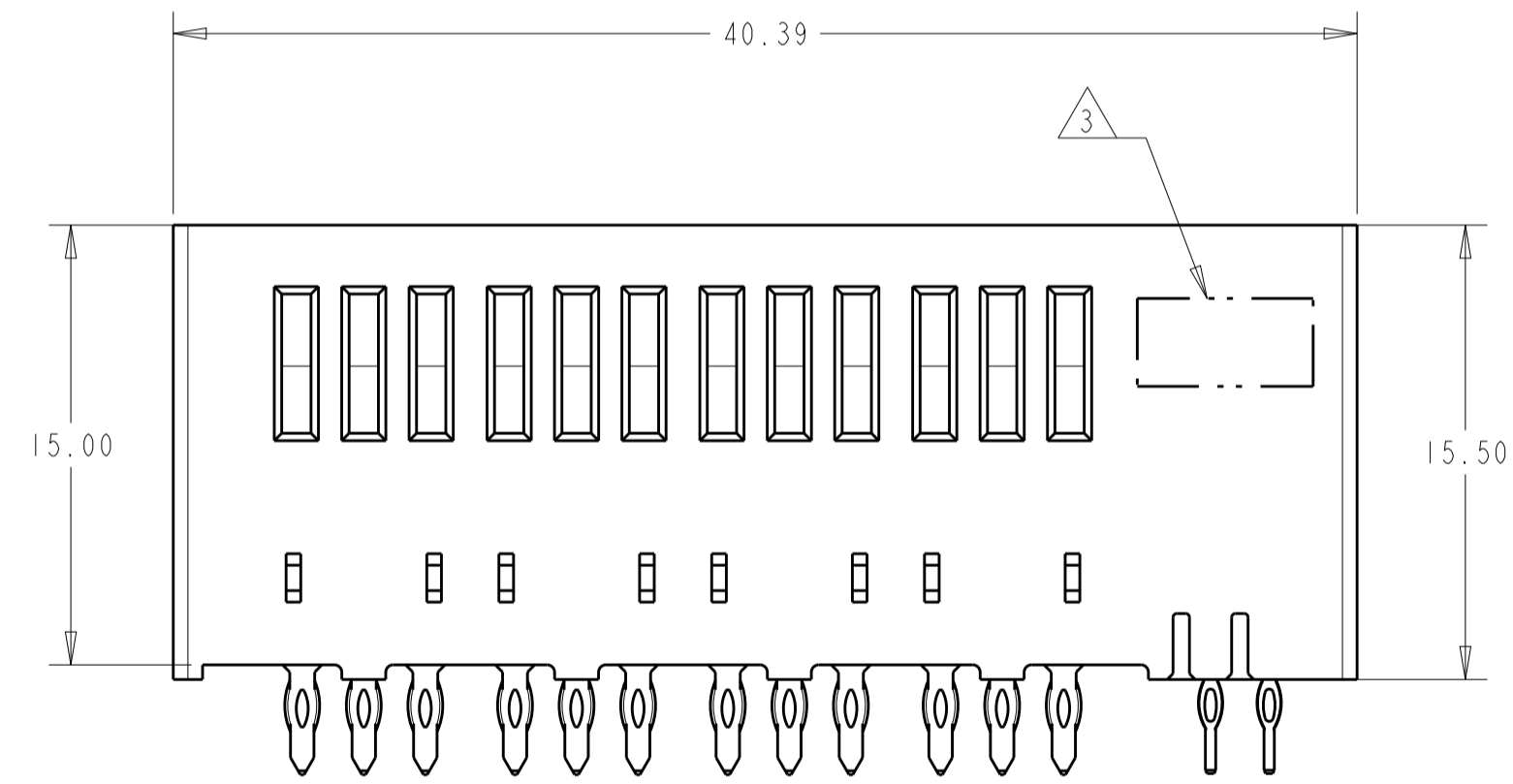
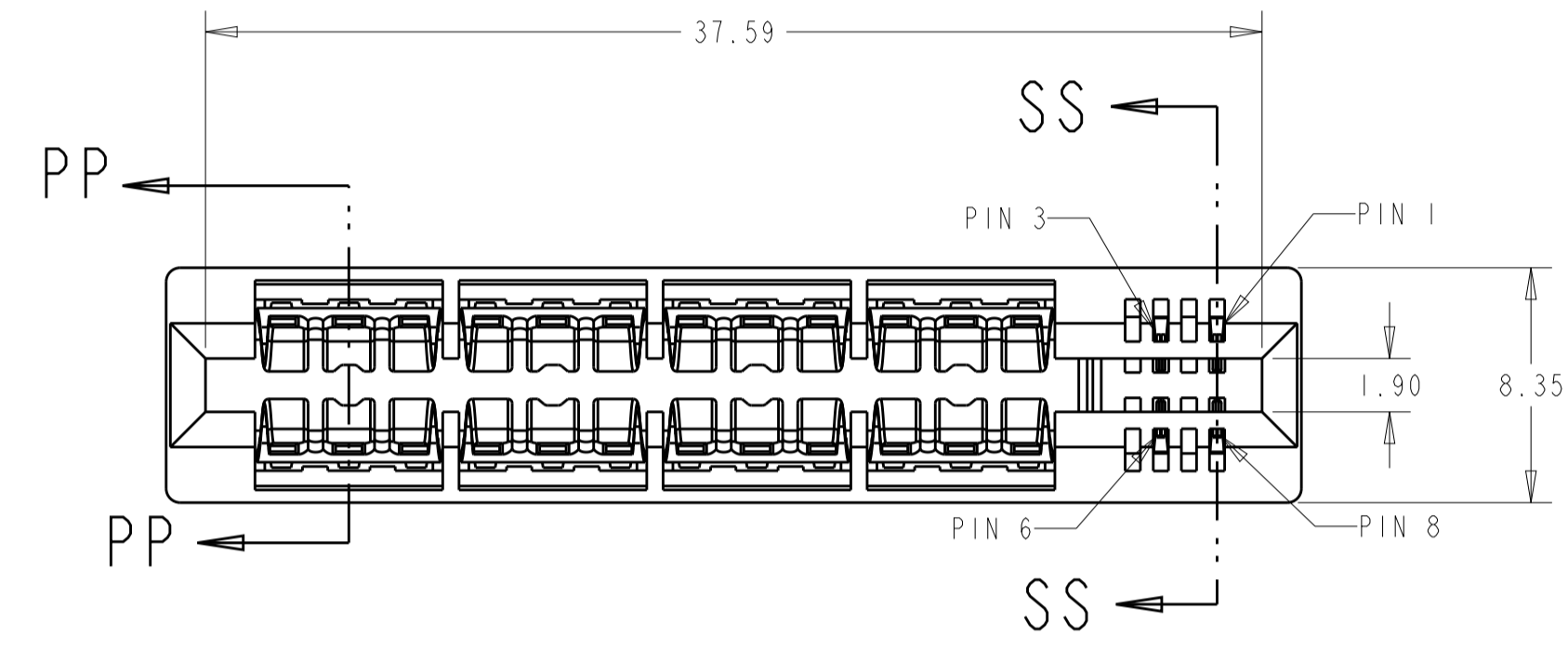
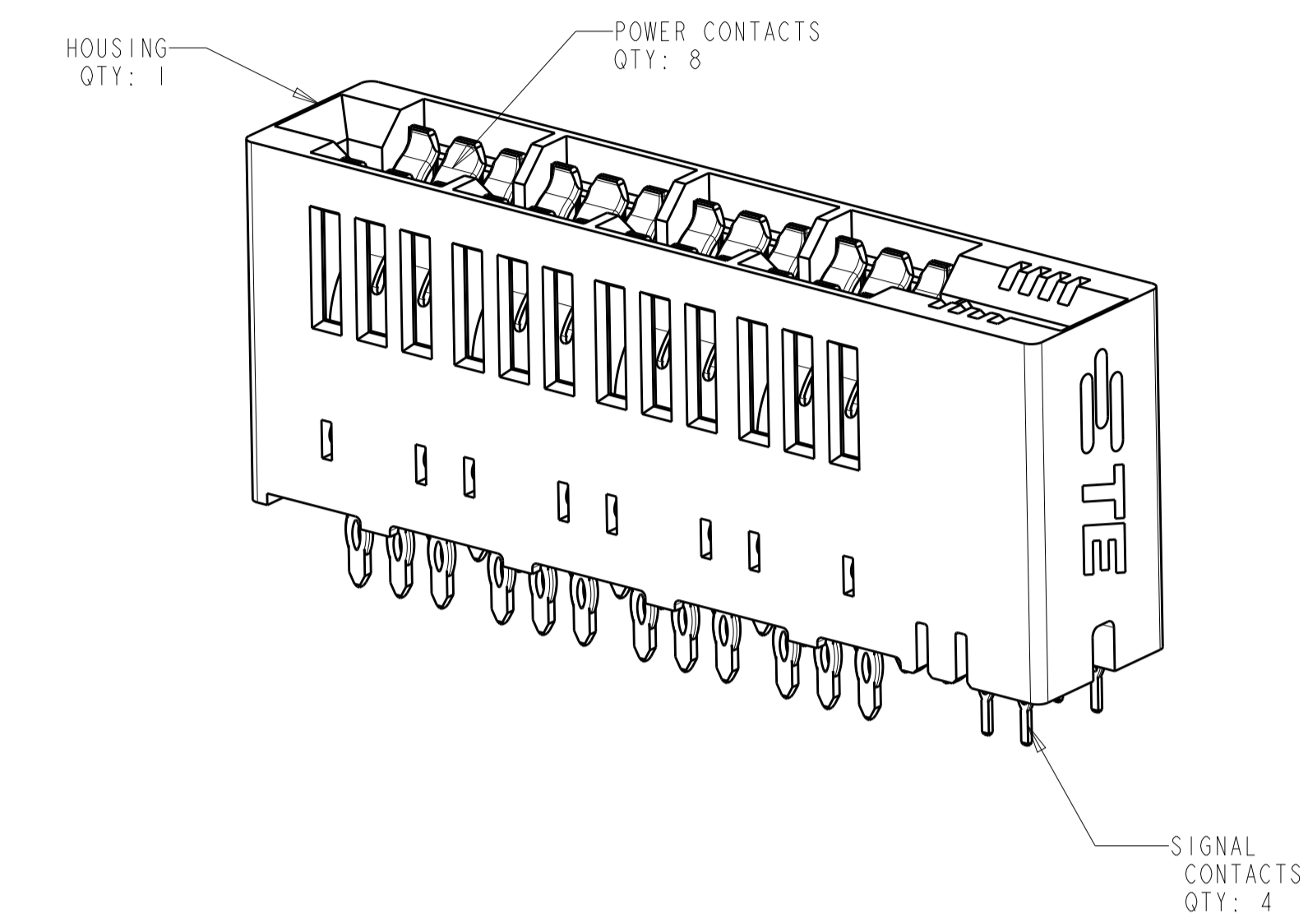
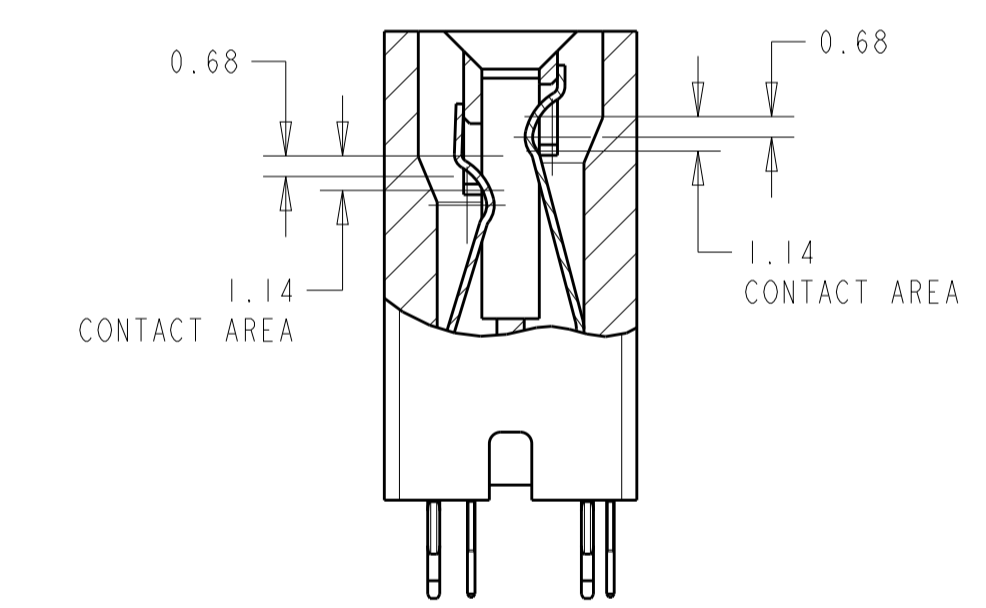


LOC		DIST		REVISIONS			
AA	00	P	LTH	DESCRIPTION	DATE	DWN	APVD
		A		FIRST RELEASE	30AUG2016	SZ	SZ

- MATERIAL: HOUSING - THERMOPLASTIC, GLASS REINFORCED, COLOR: BLACK
CONTACT - COPPER ALLOY
- FINISH: CONTACT - GOLD PLATED OVER NICKEL
SOLDER TAILS - MATTE TIN OVER NICKEL
- CONNECTOR ASSEMBLY MARKED WITH PART NUMBER AND DATE CODE IN THE APPROXIMATE AREA SHOWN
- DATUMS AND BASIC DIMENSIONS TO BE ESTABLISHED BY CUSTOMER
- MANUFACTURING TOLERANCE FOR 1.07mm DIAMETER FINISHED HOLE:
DRILLED HOLE = 1.16+/-0.03mm
COPPER PLATE = 0.050/0.025mm (MAX HARDNESS 150 KNOOP)
TIN/LEAD PLATE (HASL) = 0.010/0.004mm
- MANUFACTURING TOLERANCE FOR 0.70mm DIAMETER FINISHED HOLE:
DRILLED HOLE = 0.79+/-0.03mm
COPPER PLATE = 0.050/0.025mm (MAX HARDNESS 150 KNOOP)
TIN/LEAD PLATE (HASL) = 0.010/0.004mm



SECTION PP-PP
POWER CONTACTS



SECTION SS-SS
SIGNAL CONTACTS

PIN 1, 3, 6, 8	2 X 4 POWER 2 X 4 SIGNAL	2212112-1
SELECT LOADED	DESCRIPTION	PART NUMBER

THIS DRAWING IS A CONTROLLED DOCUMENT. DWN: L.A. WENSEL 07NOV2012
 CHG: D. DEE (RAIGH) 07NOV2012
 APVD: S. HELCKINGER 07NOV2012 NAME: S. HELCKINGER

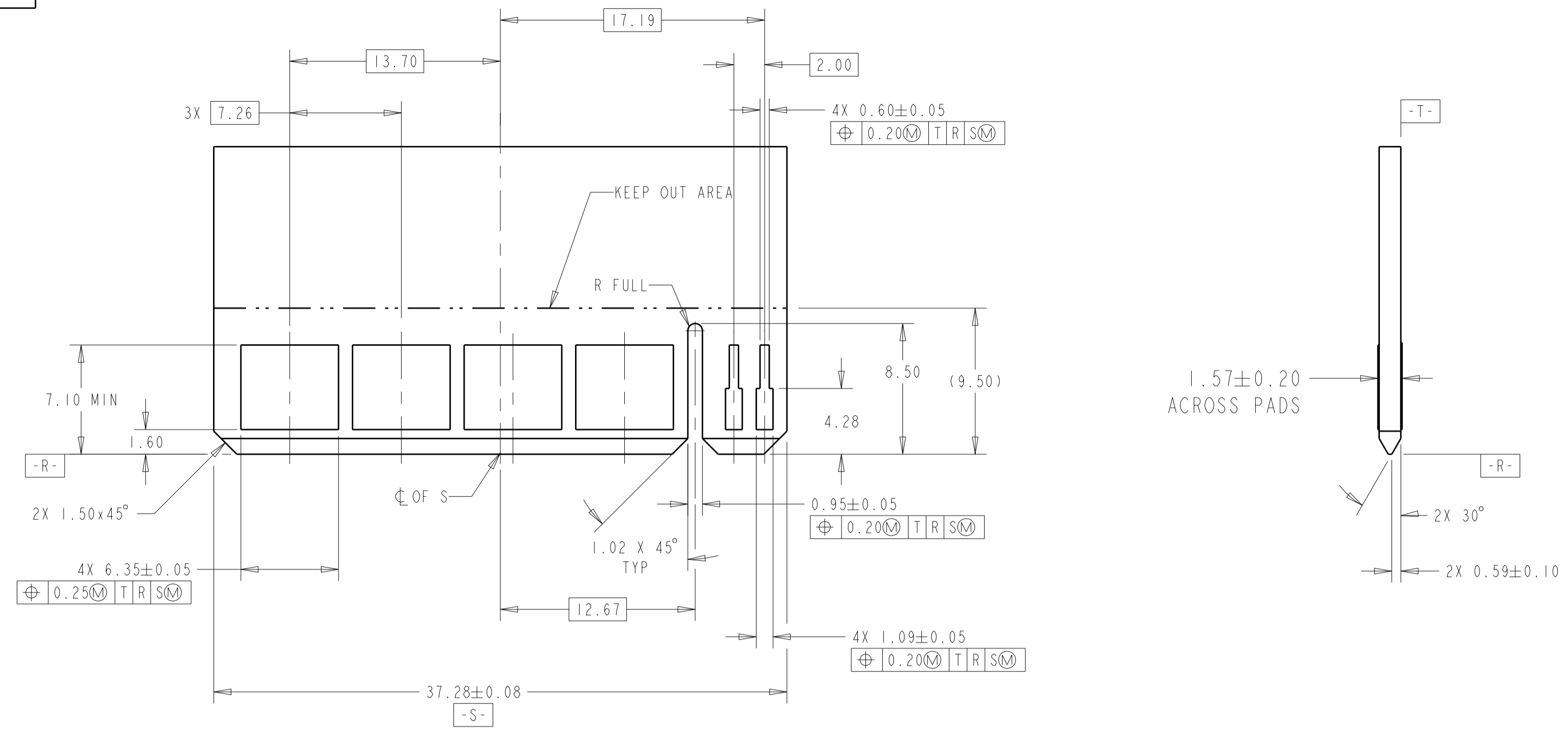
TE CONNECTIVITY
PRELIMINARY

CONNECTOR ASSEMBLY, MULTI-BEAM CE, POWER/SIGNAL, VERTICAL, PRESS FIT, SELECT LOADED

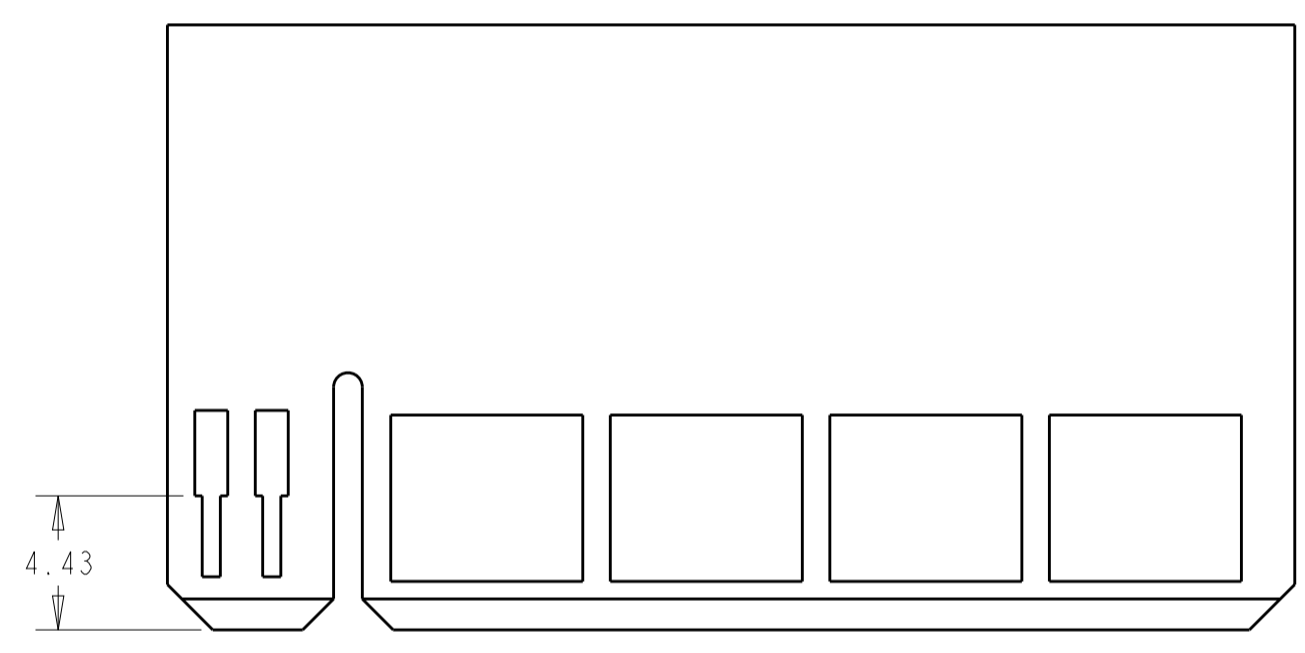
DIMENSIONS: mm	TOLERANCES UNLESS OTHERWISE SPECIFIED:	PRODUCT SPEC	APPLICATION SPEC	SIZE	CAGE CODE	DRAWING NO	RESTRICTED TO
0 PLC ±0.5	1 PLC ±0.5	-	-	A1	00779	2212112	-
2 PLC ±0.25	3 PLC ±0.25	-	-	CUSTOMER DRAWING			SCALE 4:1 SHEET 1 OF 2 REV A
4 PLC ±0.25	ANGLES ±0.4°						

MATERIAL: SEE NOTE 1 FINISH: SEE NOTE 2

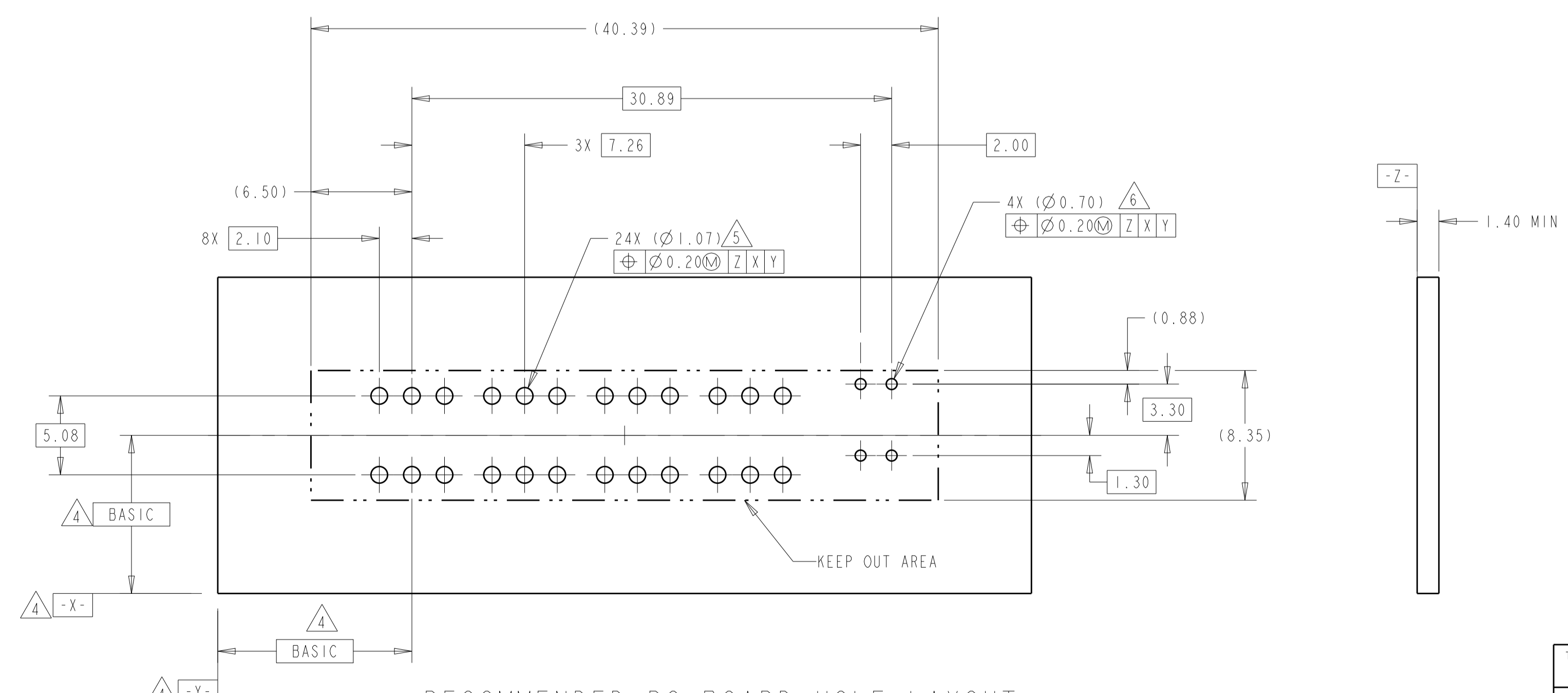
LOC	DIST	REVISIONS			
		REV	DATE	BY	APPD
AA	00	-	SEE SHEET 1	-	-



RECOMMENDED MATING BOARD EDGE CONFIGURATION
 (PRIMARY SIDE SHOWN)



RECOMMENDED MATING BOARD EDGE CONFIGURATION
 (SECONDARY SIDE SHOWN)



RECOMMENDED PC BOARD HOLE LAYOUT
 COMPONENT SIDE

THIS DRAWING IS A CONTROLLED DOCUMENT.		DWN L.A. WENSEL 07NOV2012	TE Connectivity										
DIMENSIONS: mm		CHK D. DEFIBAUGH 07NOV2012											
TOLERANCES UNLESS OTHERWISE SPECIFIED:		APVD S. FELICKINGER 07NOV2012	NAME CONNECTOR ASSEMBLY, MULTI-BEAM CE, POWER/SIGNAL, VERTICAL, PRESS FIT, SELECT LOADED										
<table border="1"> <tr> <td>0 PLC</td> <td>±0.3</td> </tr> <tr> <td>1 PLC</td> <td>±0.13</td> </tr> <tr> <td>2 PLC</td> <td>±0.13</td> </tr> <tr> <td>3 PLC</td> <td>±0.13</td> </tr> <tr> <td>4 PLC</td> <td>±0.13</td> </tr> </table>		0 PLC	±0.3	1 PLC	±0.13	2 PLC	±0.13	3 PLC	±0.13	4 PLC	±0.13	PRODUCT SPEC	SIZE A1
0 PLC	±0.3												
1 PLC	±0.13												
2 PLC	±0.13												
3 PLC	±0.13												
4 PLC	±0.13												
MATERIAL SEE NOTE 1		APPLICATION SPEC	CAGE CODE DRAWING NO 00779 C=2212112										
FINISH SEE NOTE 2		WEIGHT	SCALE 4:1 SHEET 2 OF 2 REV A										
CUSTOMER DRAWING													