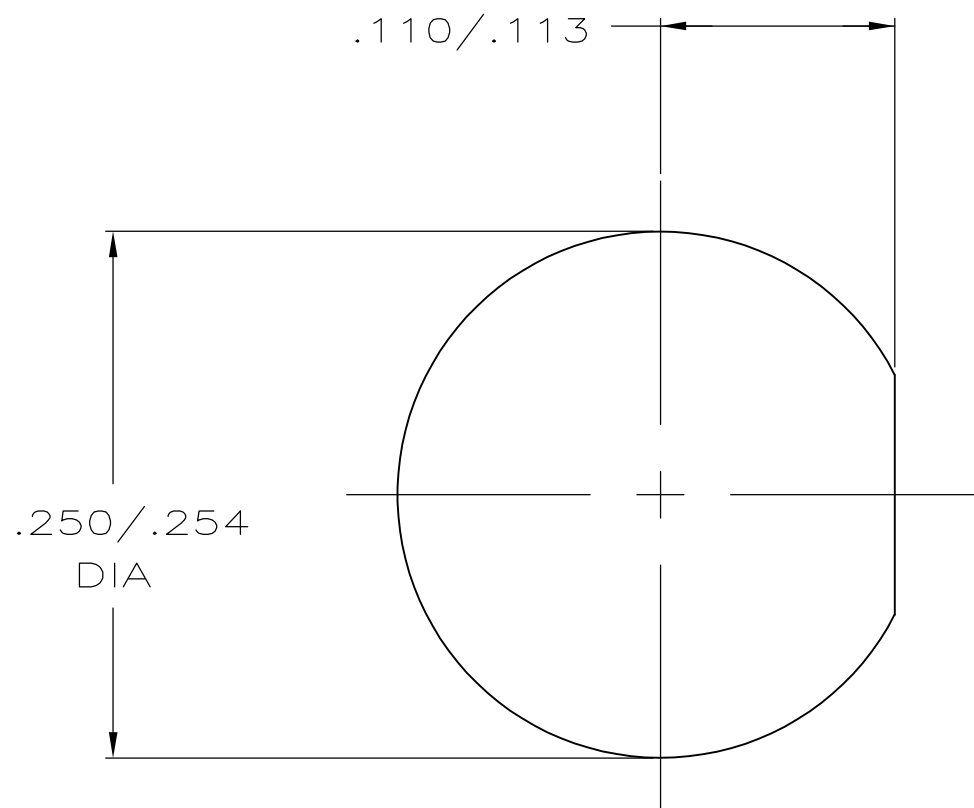
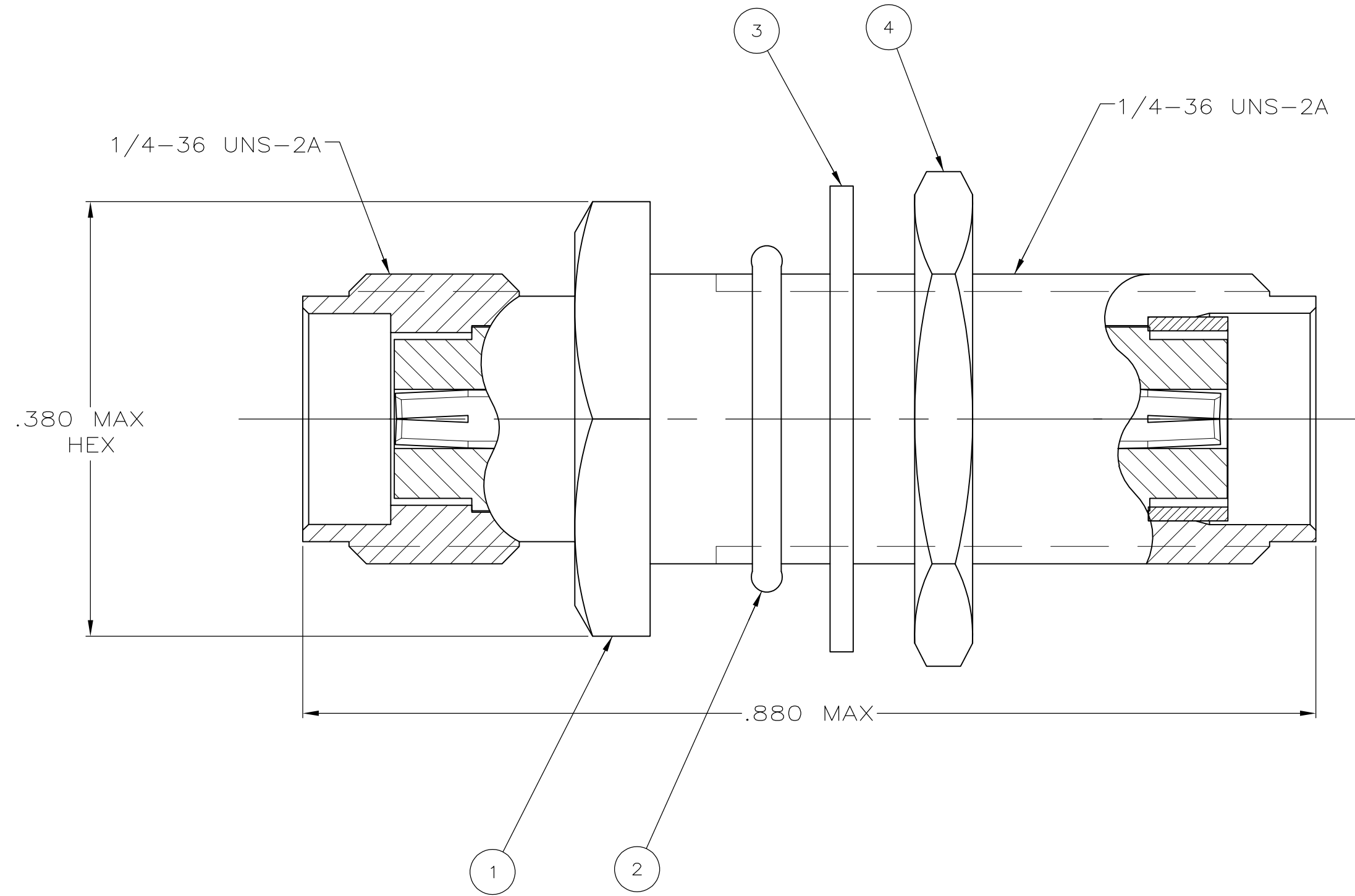


THIS DRAWING IS UNPUBLISHED. RELEASED FOR PUBLICATION  
 © COPYRIGHT - By - ALL RIGHTS RESERVED.

LOC	DIST	REVISIONS			
P	LTR	DESCRIPTION	DATE	DWN	APVD
AJ	16	D1	REVISED PER ECO-11-005030	23MAR11	RK HMR



RECOMMENDED PANEL CUTOUT  
 (MAXIMUM PANEL THK = .103)

2-332004-0	1-22145-3	1-22130-6	447197-1	221643-1
④ NUT, JAM QTY=1	③ WASHER, LOCK QTY=1	② O-RING QTY=1	① SUBASSY, SERIES SMA QTY=1	PART NUMBER

THIS DRAWING IS A CONTROLLED DOCUMENT.		DWN M.E.PASTAL 6-21-90	TE Connectivity																						
DIMENSIONS: INCHES		CHK J. CABARLO 04-21-93																							
TOLERANCES UNLESS OTHERWISE SPECIFIED:		APVD J. CABARLO 04-21-93	NAME ADAPTER, JACK, BULKHEAD, SERIES SMA																						
<table border="0"> <tr><td>0 PLC</td><td>±</td><td>-</td></tr> <tr><td>1 PLC</td><td>±</td><td>-</td></tr> <tr><td>2 PLC</td><td>±</td><td>-</td></tr> <tr><td>3 PLC</td><td>±</td><td>-</td></tr> <tr><td>4 PLC</td><td>±</td><td>-</td></tr> <tr><td>ANGLES</td><td>±</td><td>-</td></tr> <tr><td>FINISH</td><td>-</td><td>-</td></tr> </table>		0 PLC	±	-	1 PLC	±	-	2 PLC	±	-	3 PLC	±	-	4 PLC	±	-	ANGLES	±	-	FINISH	-	-	PRODUCT SPEC -	SIZE A2	CAGE CODE 00779
0 PLC	±	-																							
1 PLC	±	-																							
2 PLC	±	-																							
3 PLC	±	-																							
4 PLC	±	-																							
ANGLES	±	-																							
FINISH	-	-																							
MATERIAL -		APPLICATION SPEC -	DRAWING NO C=221643	RESTRICTED TO -																					
CUSTOMER DRAWING			SCALE NTS	SHEET 1 of 1																					
			REV D1																						