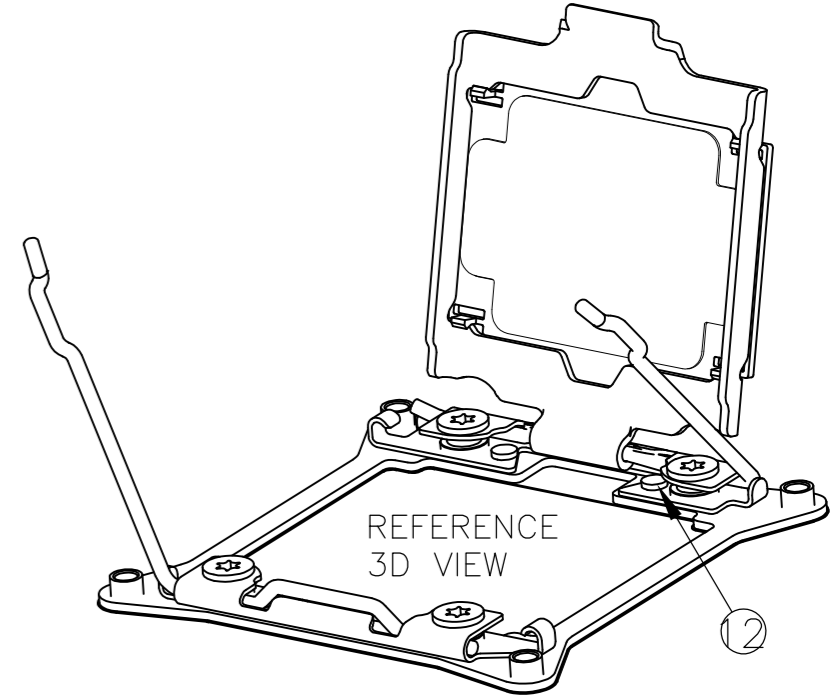
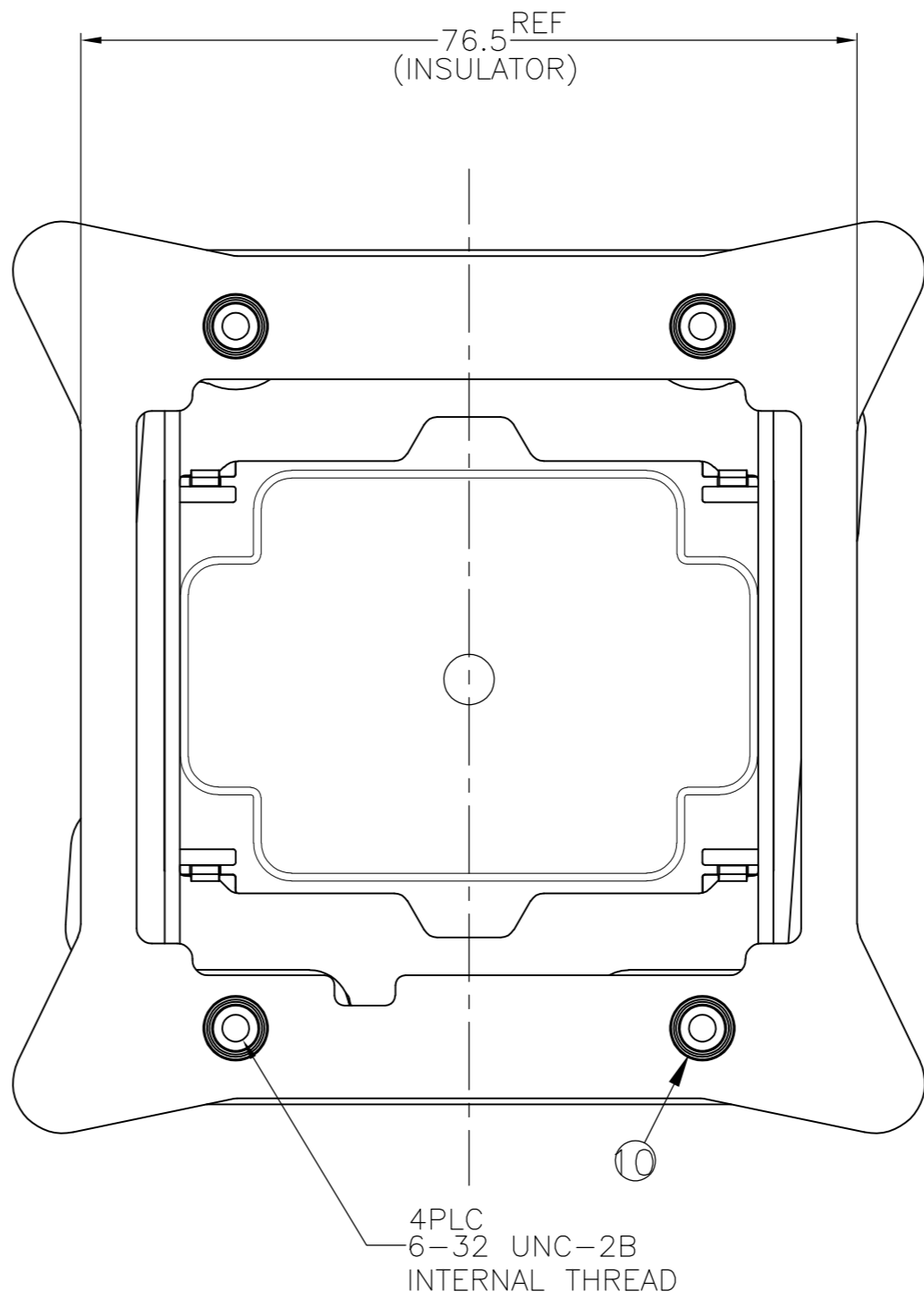
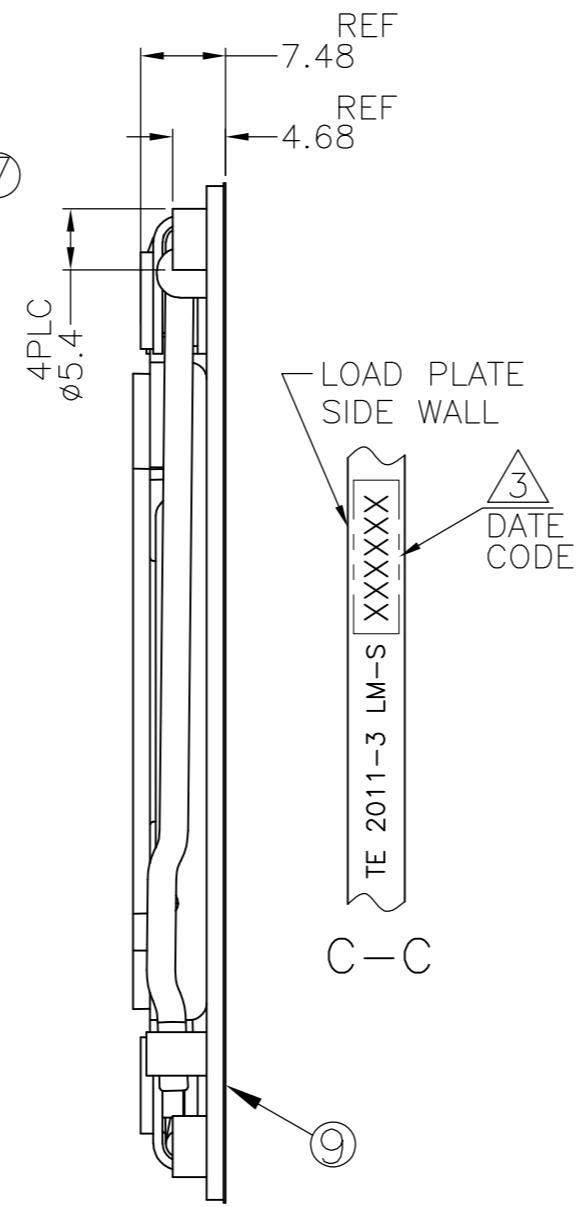
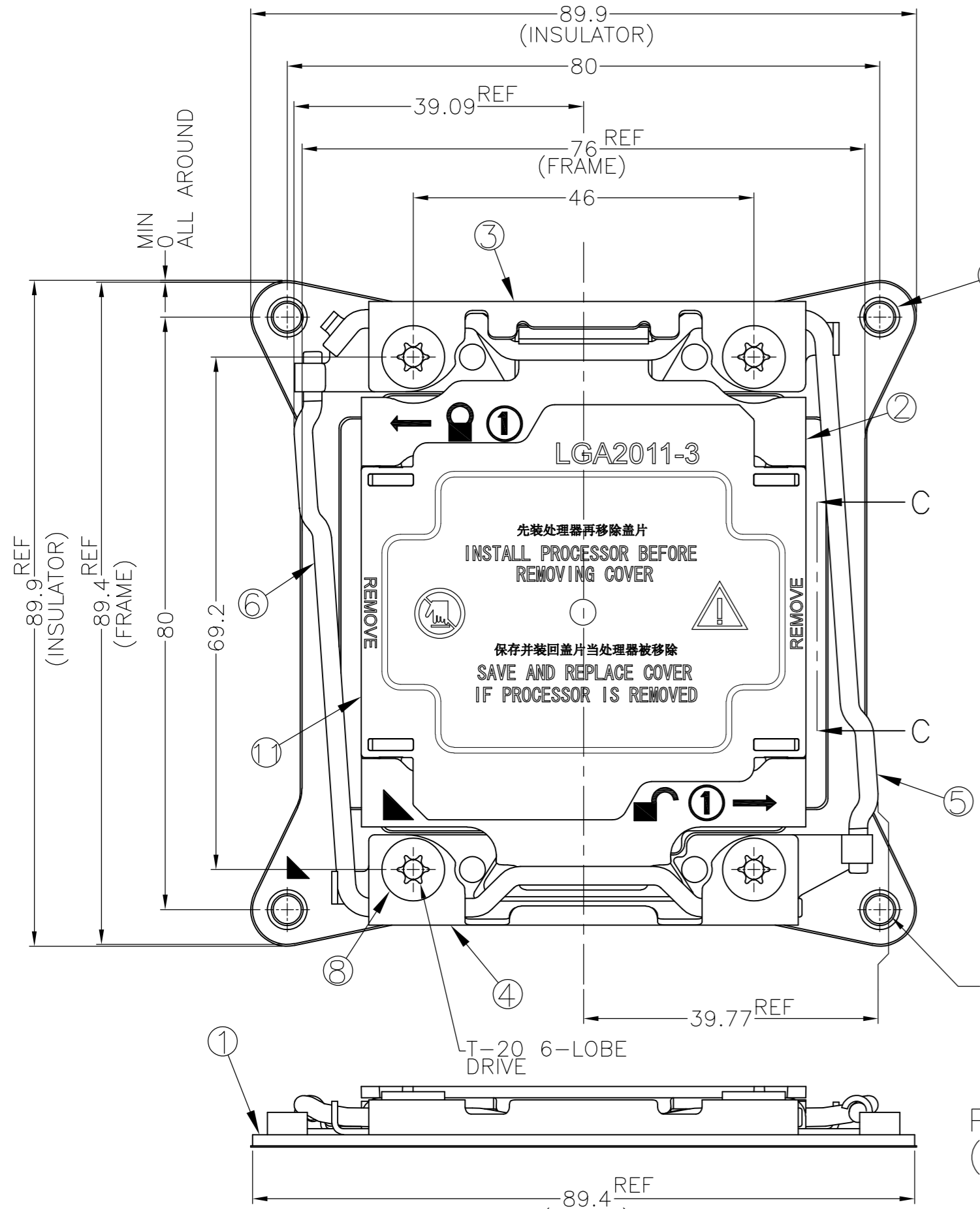
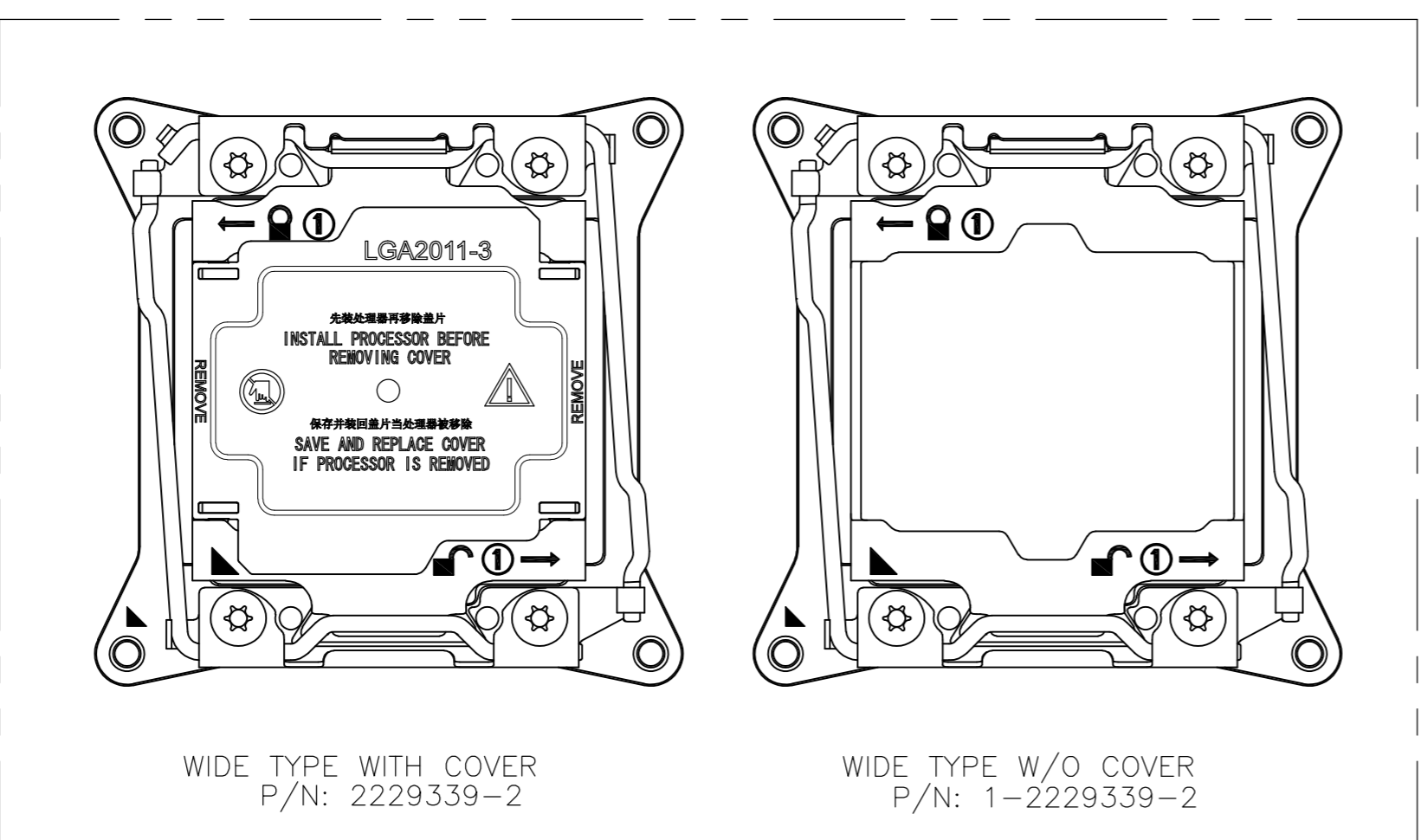


THIS DRAWING IS UNPUBLISHED. RELEASED FOR PUBLICATION APR, 2011.
 © COPYRIGHT 2011 By Tyco Electronics Japan G.K. ALL RIGHTS RESERVED.

LOC	DIST	REVISIONS					
J	—	P	LTR	DESCRIPTION	DATE	DWN	APVD
		—		SEE SHEET 1	—	—	—



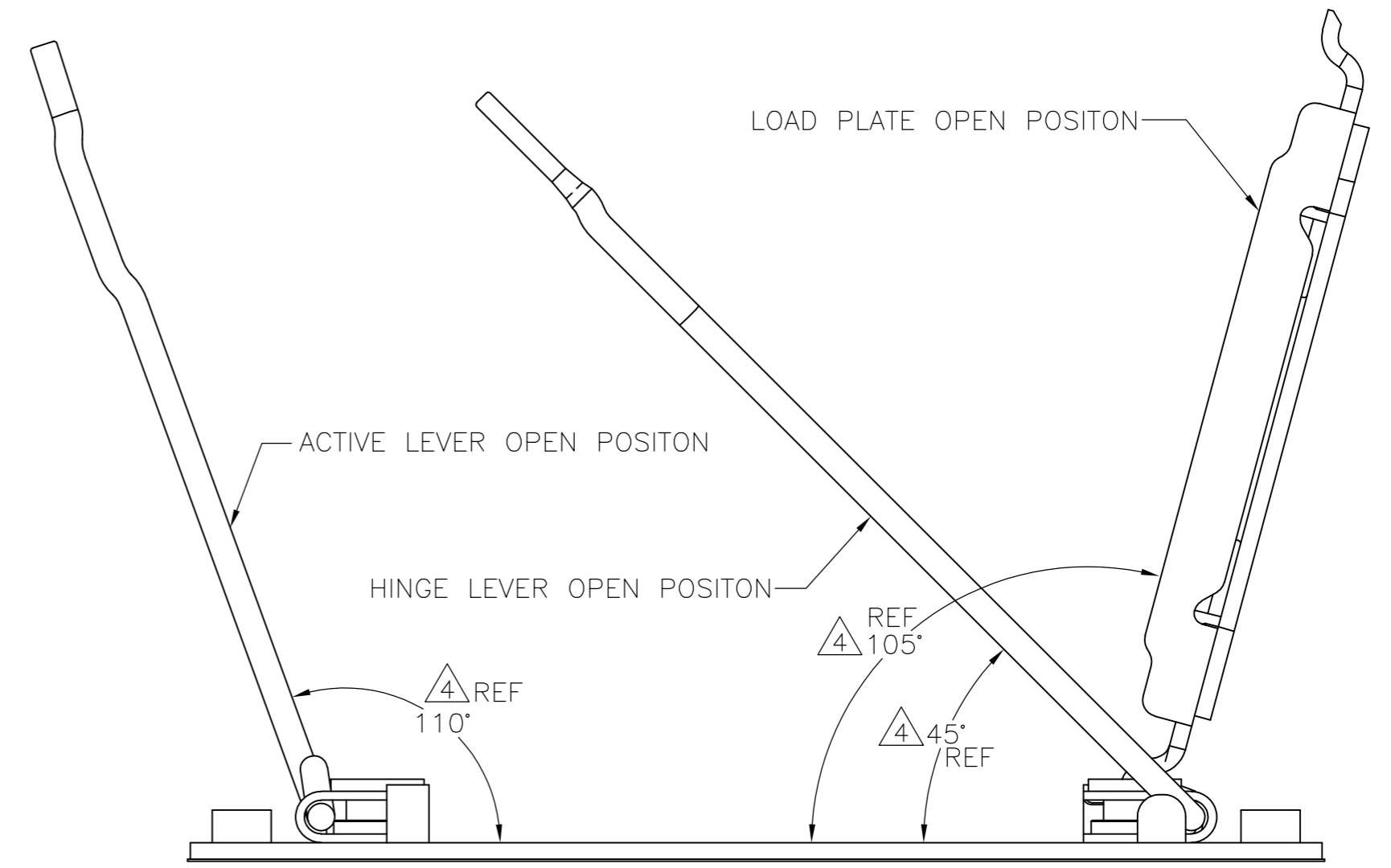
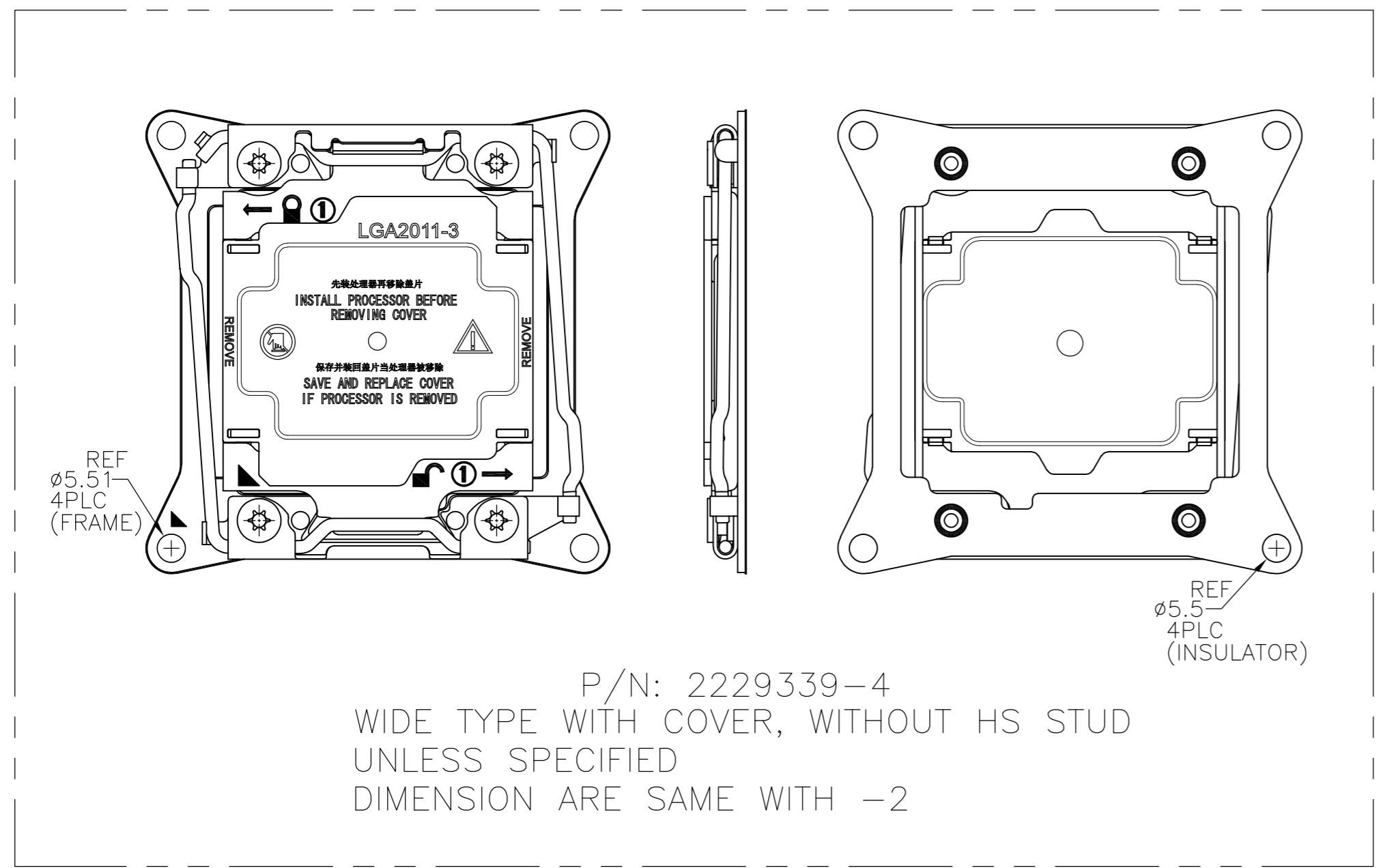
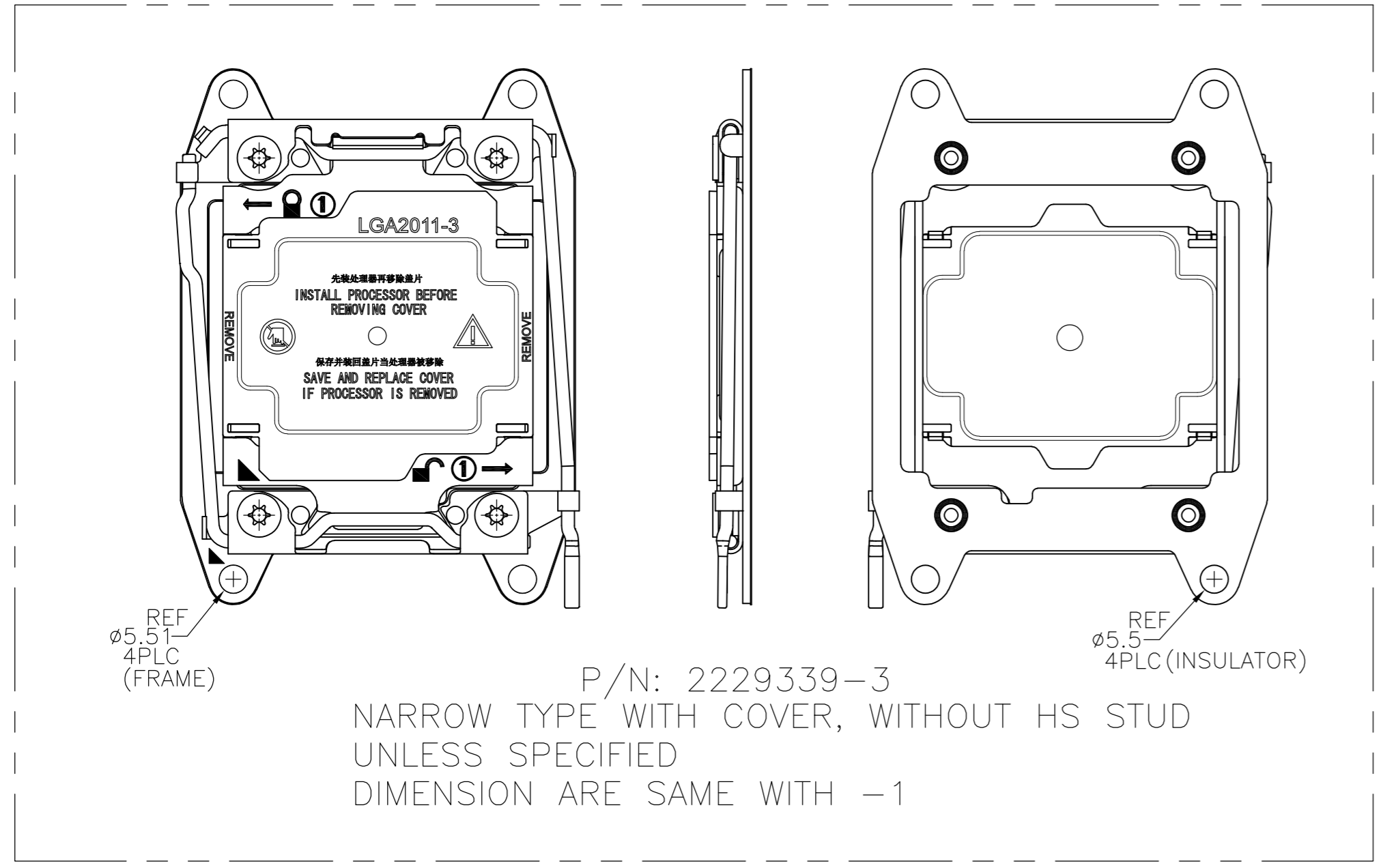
P/N: 2229339-2 AS SHOWN
 (WIDE TYPE WITH COVER)



THIS DRAWING IS A CONTROLLED DOCUMENT.		DWN			
		CHK			
		APVD			
DIMENSIONS: 单位: 毫米 (mm)		TOLERANCES UNLESS OTHERWISE SPECIFIED: 一般公差		NAME 名称	
		6-PLC	±	±0.3	TE Connectivity ILM ASSY LGA2011-3
		1-PLC	±	±3°	
		2-PLC	±	±3°	
		3-PLC	±		
		4-PLC	±		
MATERIAL 材料		FINISH 仕上		SIZE CAGE CODE DRAWING NO. 番号	
				A2 00779 C=2229339	
				RESTRICTED TO	
		CUSTOMER DRAWING		SCALE 尺度 NTS SHEET 2 of 3 REV A	

THIS DRAWING IS UNPUBLISHED. RELEASED FOR PUBLICATION APR , 2011.
 © COPYRIGHT 2011 By Tyco Electronics Japan G.K. ALL RIGHTS RESERVED.

LOC		DIST		REVISIONS				
J		-		我	更	DATE	DWN	APVD
P	LTR	DESCRIPTION			DATE	DWN	APVD	
-	-	SEE SHEET 1			-	-	-	



LEVER AND LOAD PLATE OPEN ANGLES
 THE ACTIVE LEVER MUST OPEN TO A SUFFICIENT
 ANGLE TO ALLOW THE LOAD PLATE TO OPEN FREELY
 (2229339-1,-2,-3,-4,1-2229339-1,1- -2 AS SHOWN)

THIS DRAWING IS A CONTROLLED DOCUMENT.		DWN	-	TE TE Connectivity	
DIMENSIONS: 单位: 毫米 mm		CHK	-		
TOLERANCES UNLESS OTHERWISE SPECIFIED: 一般公差		APVD	-	NAME 名称	
0-PLC ± ± 0.3		PRODUCT SPEC 製品規格		ILM ASSY	
1-PLC ± ± 0.3		APPLICATION SPEC 取付適用規格		LGA2011-3	
2-PLC ± ± 0.3		WEIGHT		SIZE	A2
3-PLC ± ± 0.3		MATERIAL 材料		CAGE CODE	00779
4-PLC ± ± 0.3		FINISH 仕上		DRAWING NO 番号	C=2229339
ANGLES ± ±		CUSTOMER DRAWING		RESTRICTED TO	-
SCALE 尺度		SHEET 3 of 3		REV	A