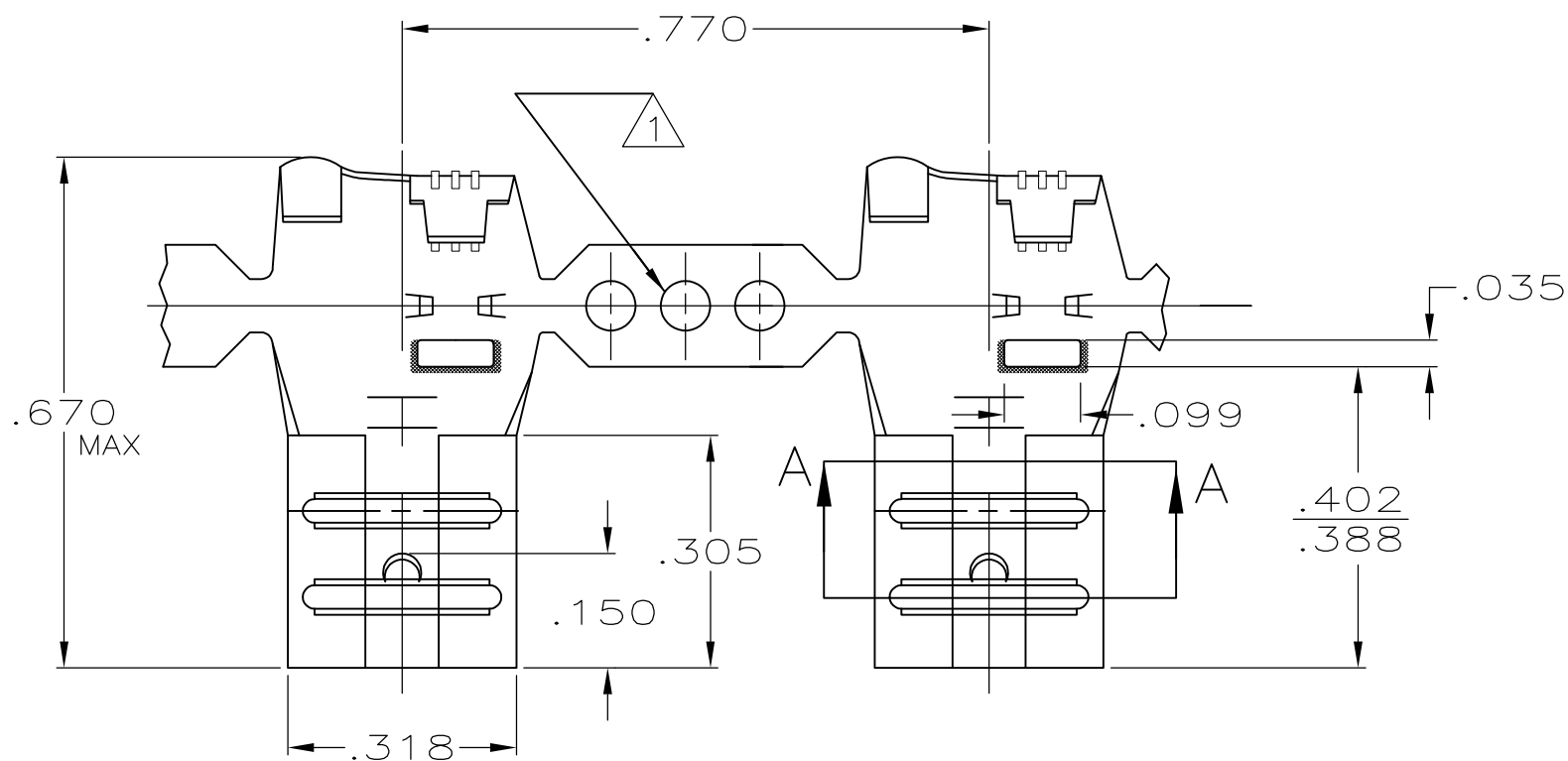


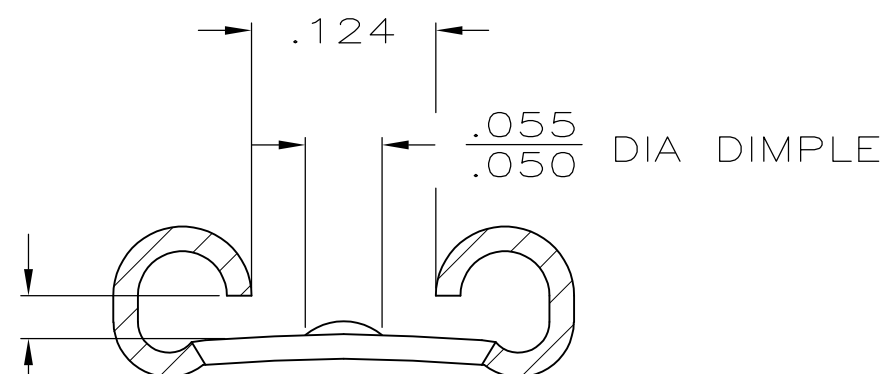
P	LTR	DESCRIPTION	DATE	DWN	APVD
	A1	REVISED PER ECO-012588	05AUG13	B.P	D.Z
	A3	REVISED PER ECR-18-014492	11OCT18	DL	T.D



1 SINGLE OR DOUBLE PILOT HOLE OPTIONAL

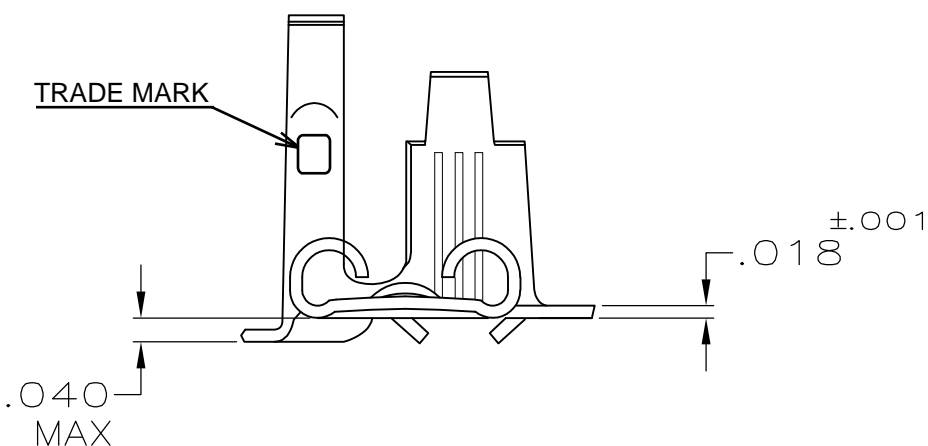
2 NOT RECOMMEND FOR AIR CONDITION COMPRESSOR INTERNAL USE

3 TIN OVER NICKEL PLATING FOR 2232111-1  
TIN PLATING FOR 2232111-3



FITS .250 SERIES FASTON TAB

SECTION A-A  
SCALE 8:1



3000PCS/REEL	.110-.210	18-12	.032	2232111-3
4000PCS/REEL	.110-.210	18-12	.032	2232111-1
PACKING QUANTITY	INSULATION RANGE	WIRE SIZE	MATING TAB	PART NO

THIS DRAWING IS A CONTROLLED DOCUMENT.

DWN B.P

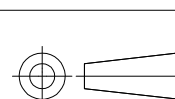
CHK F.M

APVD Yuhong.Mao

**STE** TE Connectivity

DIMENSIONS:  
INCHES

TOLERANCES UNLESS OTHERWISE SPECIFIED:



0 PLC	± -
1 PLC	± -
2 PLC	± -
3 PLC	± .015
4 PLC	± -
ANGLES	± -

MATERIAL  
TEMP 4M BRASS

SEE NOTE 3

PRODUCT SPEC

APPLICATION SPEC

WEIGHT

-

NAME

RECEPTACLE, FASTON,  
FLAG, .250 SERIES

SIZE

CAGE CODE

DRAWING NO

A3 00779 C-2232111

RESTRICTED TO

-

CUSTOMER DRAWING

SCALE 4:1

SHEET 1 OF 1

REV A3