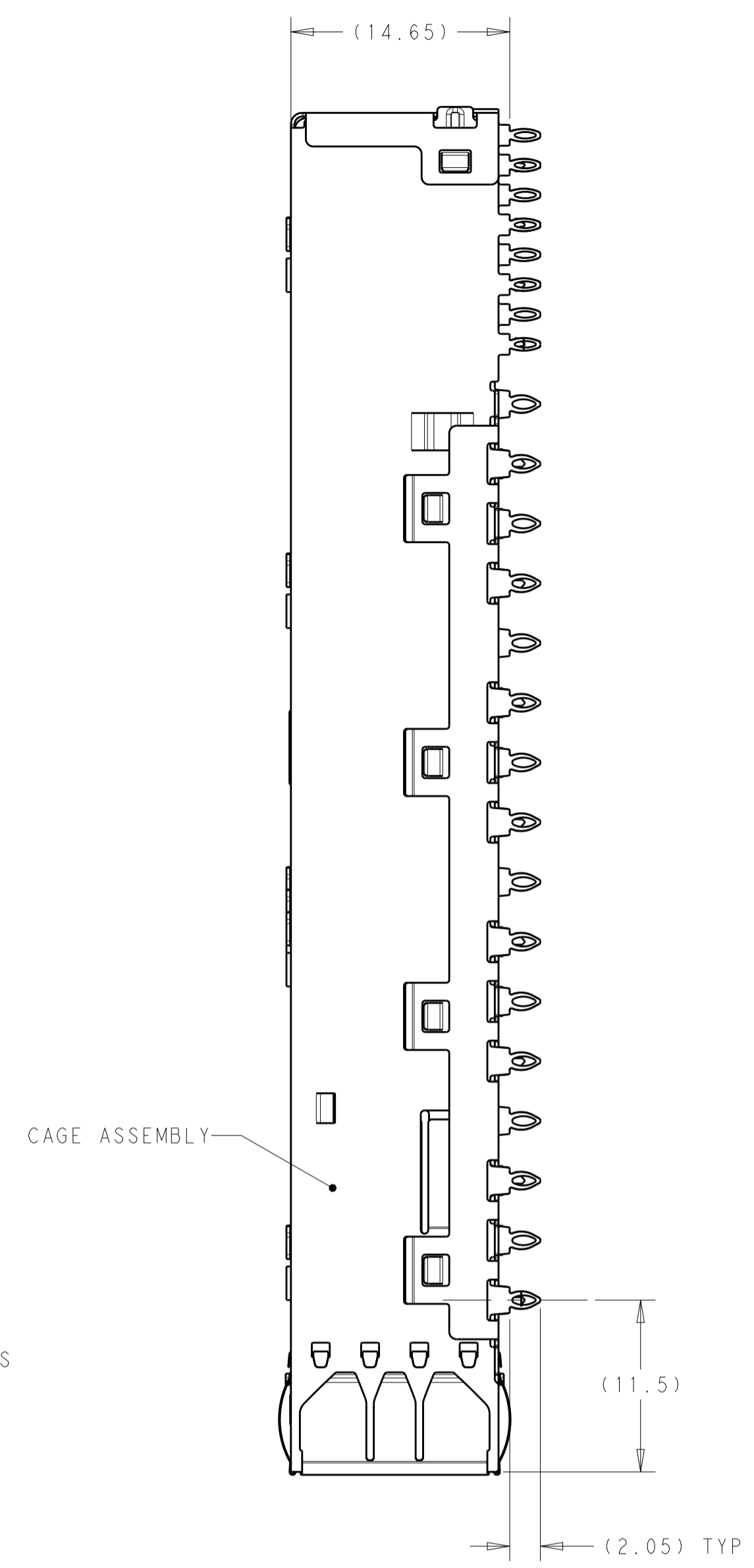
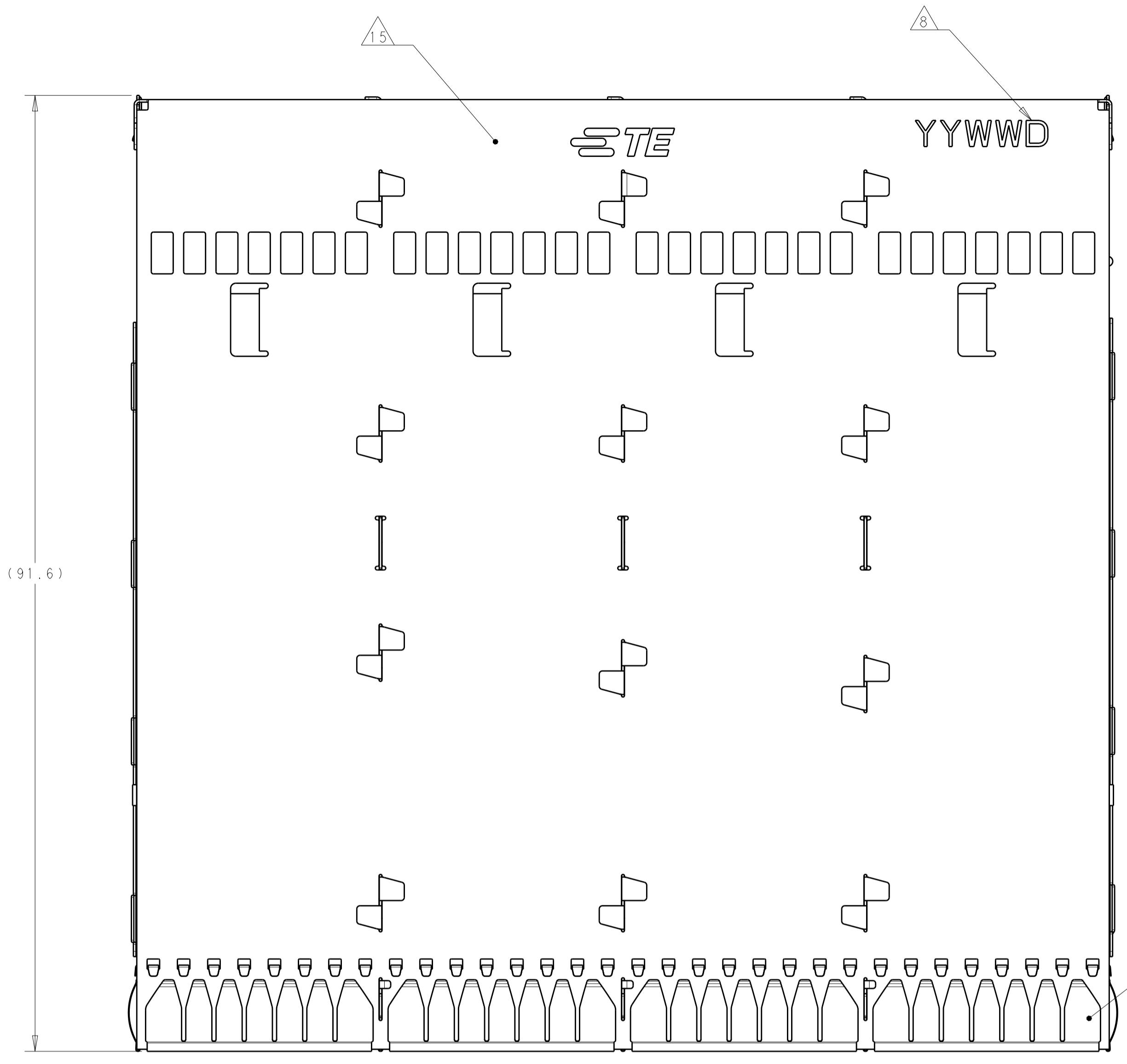
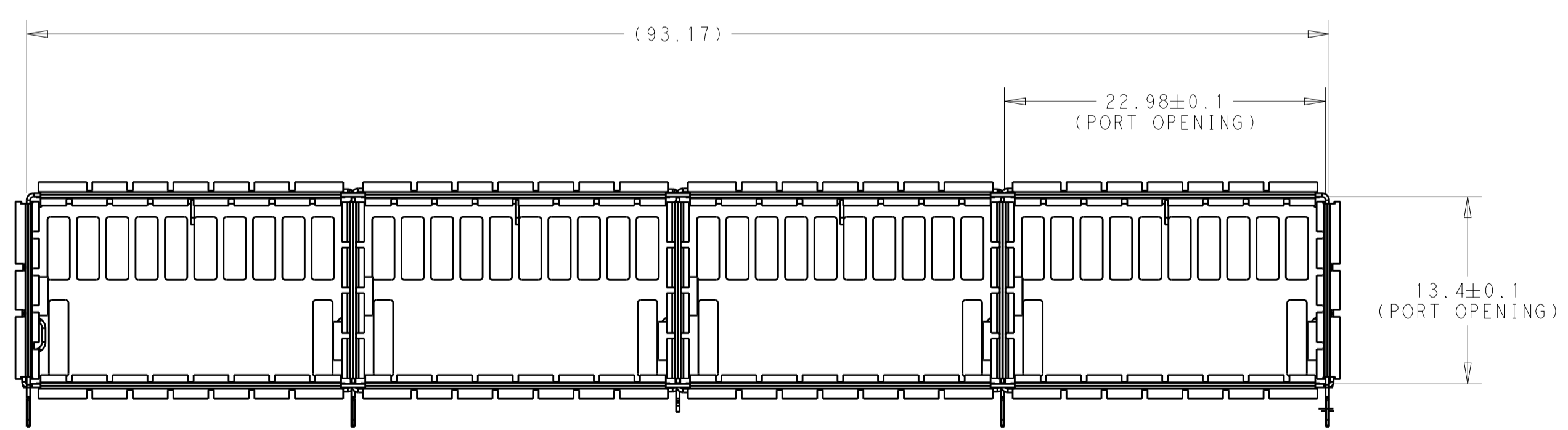


REVISIONS				
P.	LTN	DESCRIPTION	DATE	OWN APVD
A		RELEASED	18JUN2018	CJV EDB
B		REVISED	12SEP2018	CJV EDB
C		REVISED PER ECO-18-017546	12NOV2018	CJV EDB
D		REVISED PER ECO-19-015532	21OCT2019	ES SH



- 1 CAGE ASSEMBLY- 0.25mm THICK STAINLESS STEEL.
EMI SPRING- COPPER ALLOY.
LIGHT PIPE- CLEAR POLYCARBONATE.
LIGHT PIPE ORGANIZER- POLYCARBONATE.
LIGHT PIPE BRACKET- STAINLESS STEEL.
- 2 FINISH:
EMI SPRING- 1.27um NICKEL PLATING OVER ALL.
- 3. MATES WITH OSFP MSA COMPLIANT TRANSCEIVERS.
- 4 DATUM AND BASIC DIMENSION ESTABLISHED BY CUSTOMER.
- 5. MINIMUM PC BOARD THICKNESS:
SINGLE SIDE = 1.5MM
DOUBLE SIDE = 2.10MM
- 6 PADS AND VIAS CHASSIS GROUND.
- 7 REFERENCE APPLICATION SPEC 114-XXXX, HOLE A, FOR RECOMMENDED DRILL HOLE DIAMETER AND PLATING THICKNESS.
- 8 DATE CODE MARKED IN APPROXIMATE AREA.
- 9 LIGHT PIPE ASSEMBLY SHOWN ASSEMBLED TO CAGE ASSEMBLY FOR REFERENCE. LIGHT PIPE ASSEMBLY IS SHIPPED UNASSEMBLED FROM CAGE ASSEMBLY.
- 10 LED PLACEMENT AREA FOR 4 LIGHT PIPE DASH NUMBERS.
- 11 LED PLACEMENT AREA FOR 2 LIGHT PIPE DASH NUMBERS.
- 12 LED PLACEMENT AREA FOR 1 LIGHT PIPE DASH NUMBERS.
- 13 ASSEMBLY NOT COMPATIBLE WITH LIGHT PIPES.
- 14 ASSEMBLY COMPATIBLE WITH LIGHT PIPES.
- 15 PART NUMBER MARKED IN APPROXIMATE AREA.

2338495-1 AS SHOWN

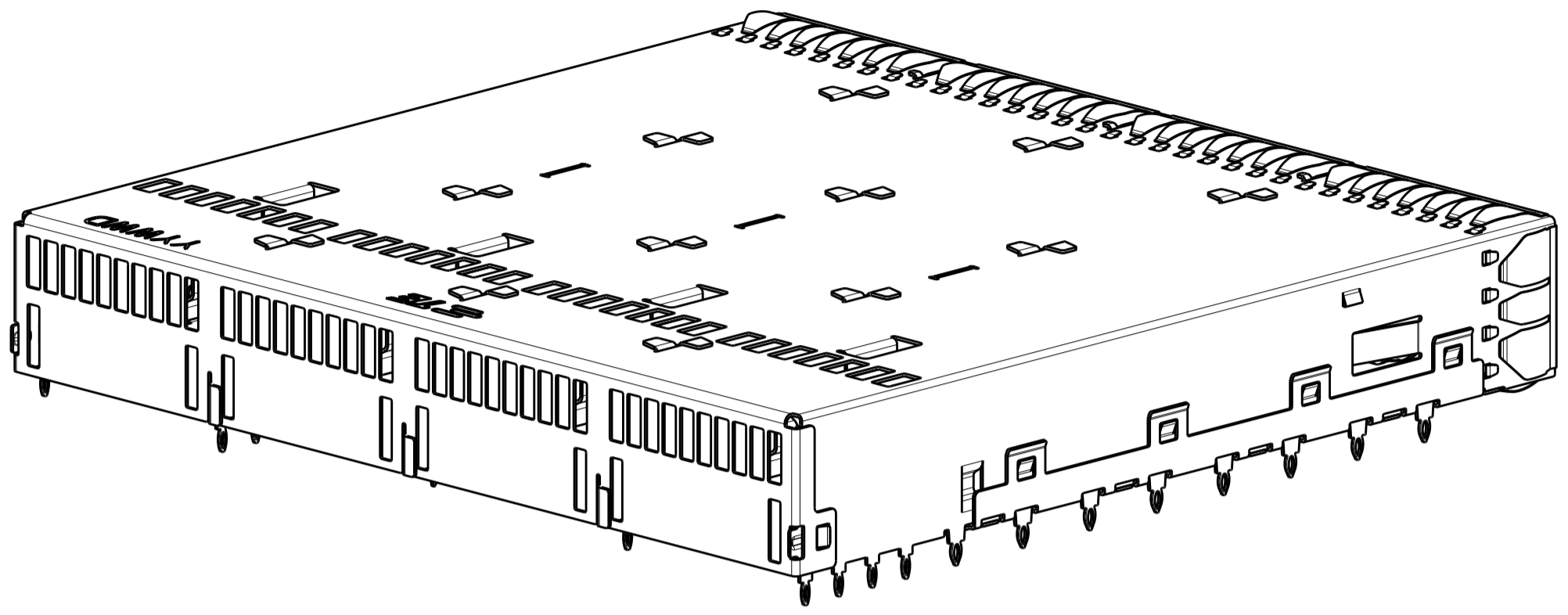


QTY	DESCRIPTION	PART NUMBER
4	WITH EMI SPRINGS	4-2338495-3
4	WITH EMI SPRINGS	4-2338495-1
2	WITH EMI SPRINGS	2-2338495-3
2	WITH EMI SPRINGS	2-2338495-1
1	WITH EMI SPRINGS	1-2338495-3
1	WITH EMI SPRINGS	1-2338495-1
14	0 WITH EMI SPRINGS	2338495-5
13	0 WITHOUT EMI SPRINGS	2338495-4
13	0 WITH EMI SPRINGS	2338495-3
13	0 WITHOUT EMI SPRINGS	2338495-2
13	0 WITH EMI SPRINGS	2338495-1
LIGHT PIPES PER PORT		
	DESCRIPTION	PART NUMBER

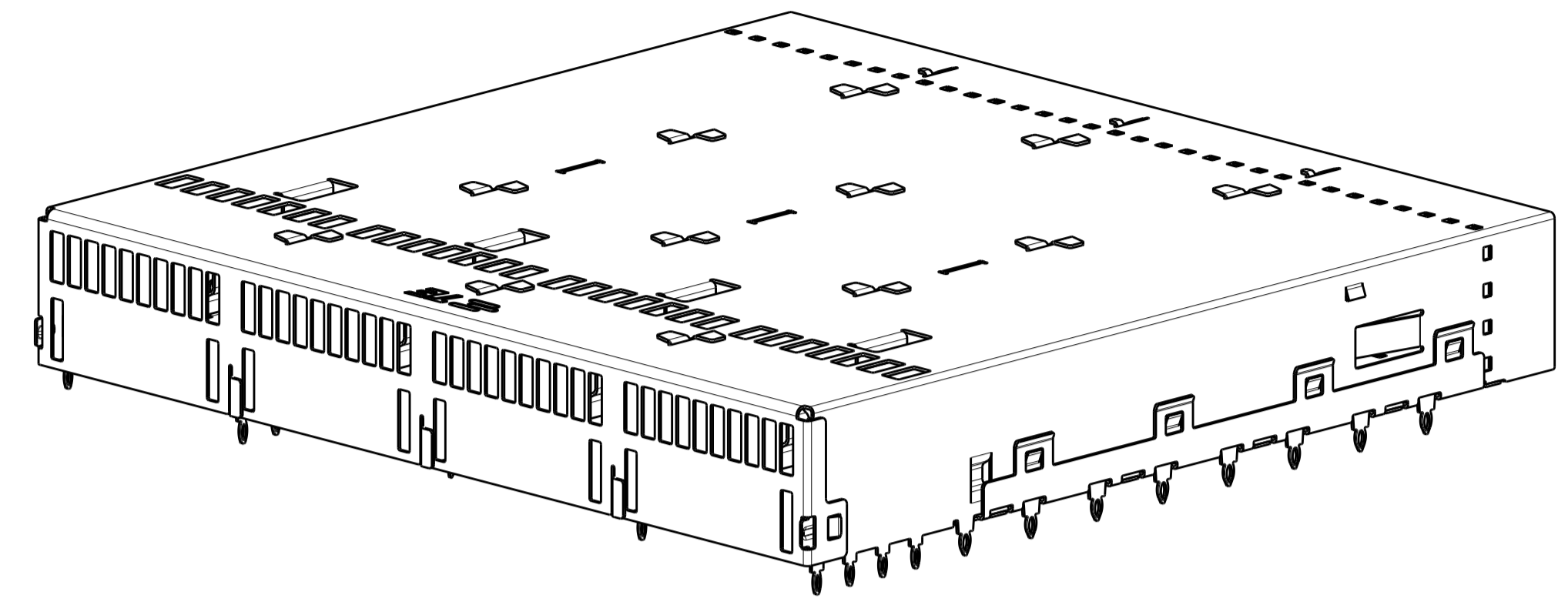
THIS DRAWING IS A CONTROLLED DOCUMENT.

DIMENSIONS:	TOLERANCES UNLESS OTHERWISE SPECIFIED:	OWN C. VALENTINE 18JUN2018	CHK D. HARMON 18JUN2018	APVD D. HARMON 18JUN2018
mm	0 PLC ±0.25 2 PLC ±0.15 3 PLC ±0.10 4 PLC ±0.05 ANGLES ±0.10	TE Connectivity NAME CAGE ASSEMBLY, 1X4, OSFP PRODUCT SPEC 108-60117 APPLICATION SPEC 114-130009 WEIGHT - RESTRICTED TO A1		
MATERIAL 1	FINISH 2	CUSTOMER DRAWING SCALE 3:1 SHEET 1 OF 8 REV D		

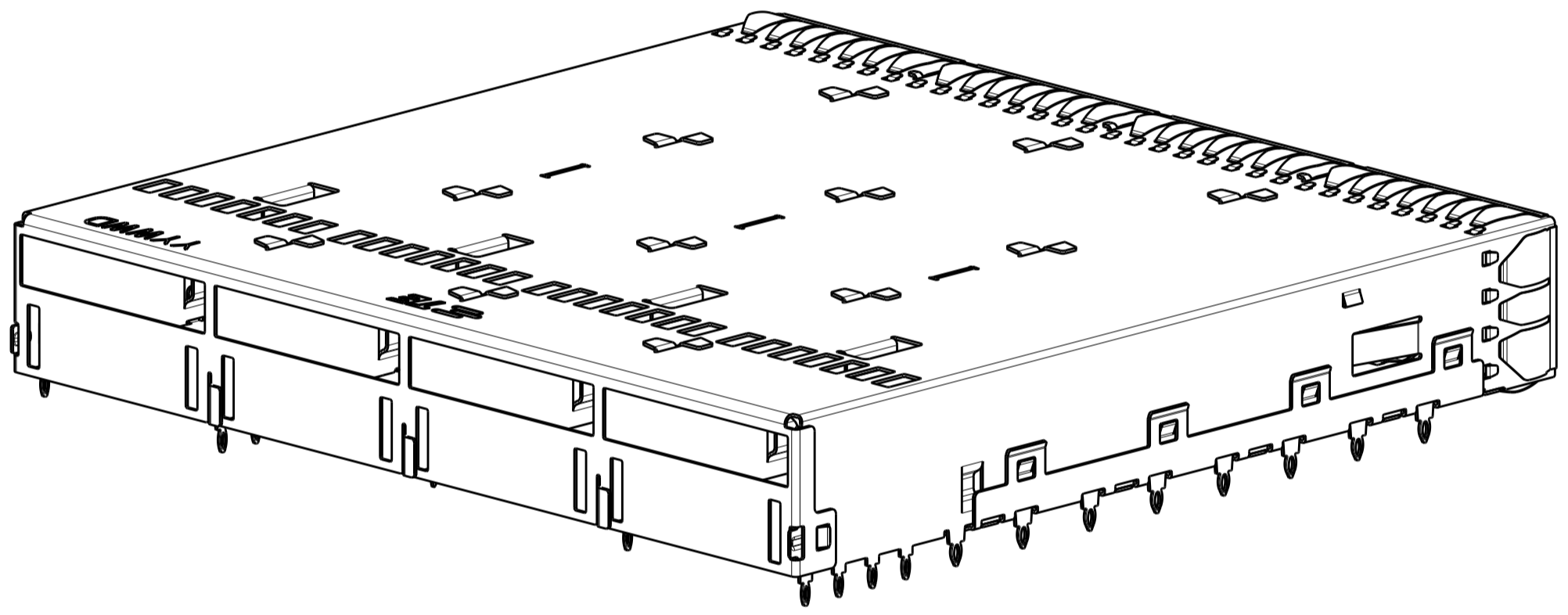
REVISIONS				
P.	LTN	DESCRIPTION	DATE	APVD
-	-	SEE SHEET 1	-	-



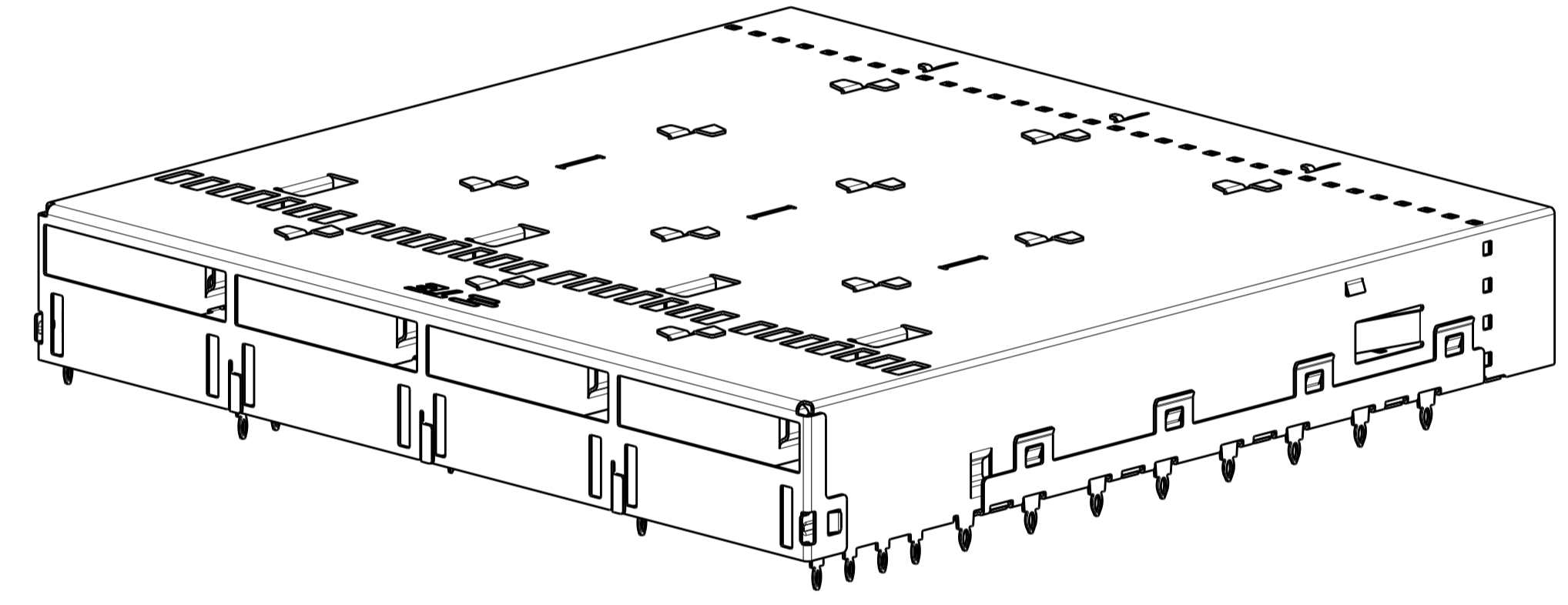
2338495-1
SCALE 2:1



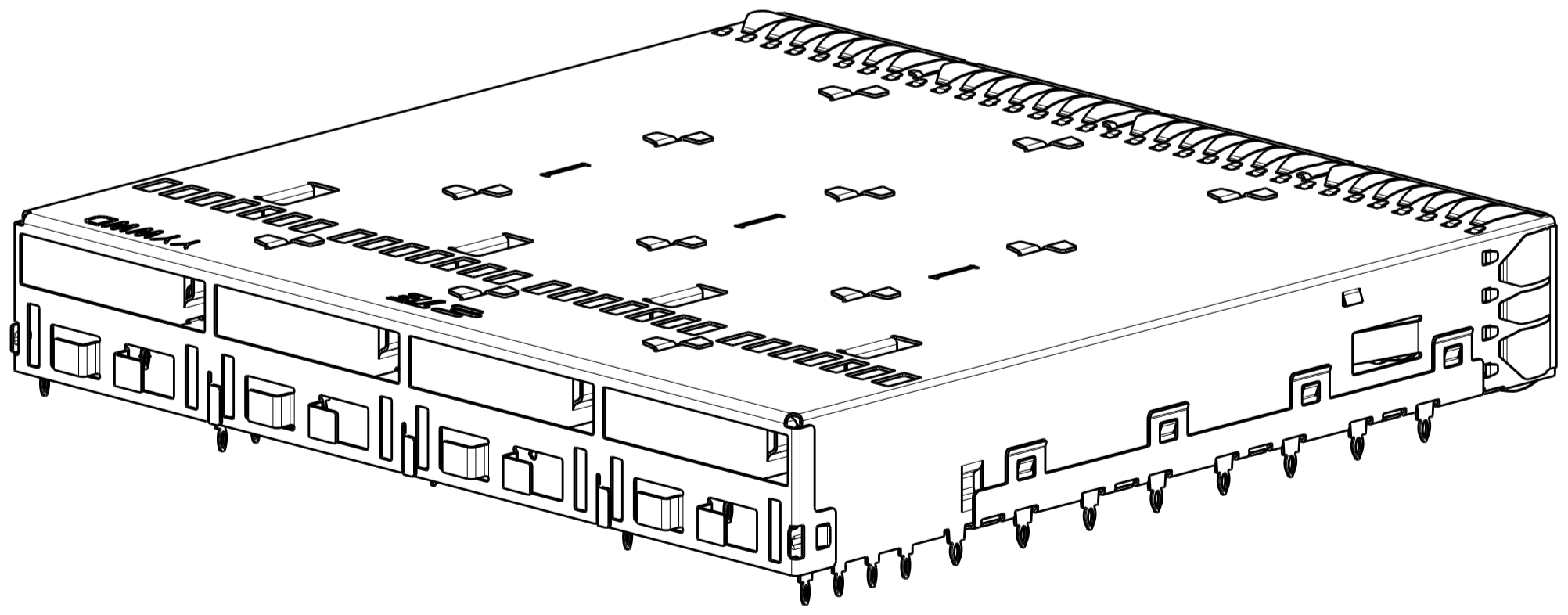
2338495-2
SCALE 2:1




2338495-3
SCALE 2:1



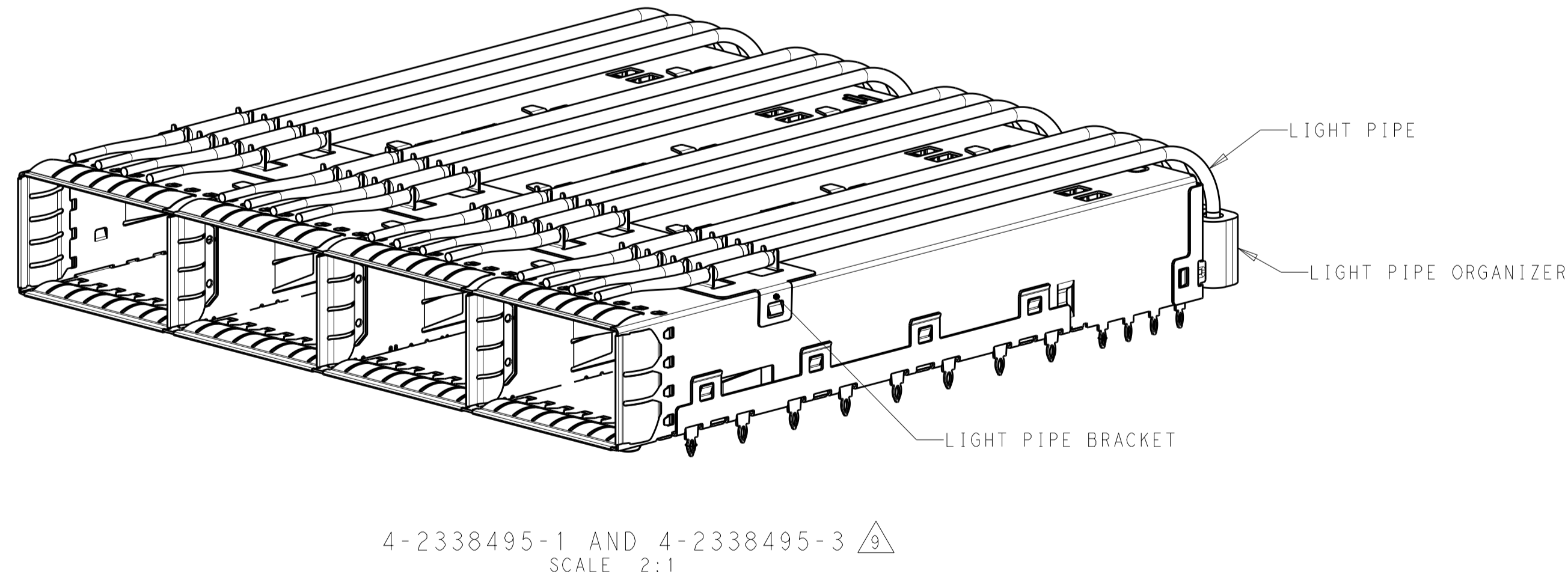
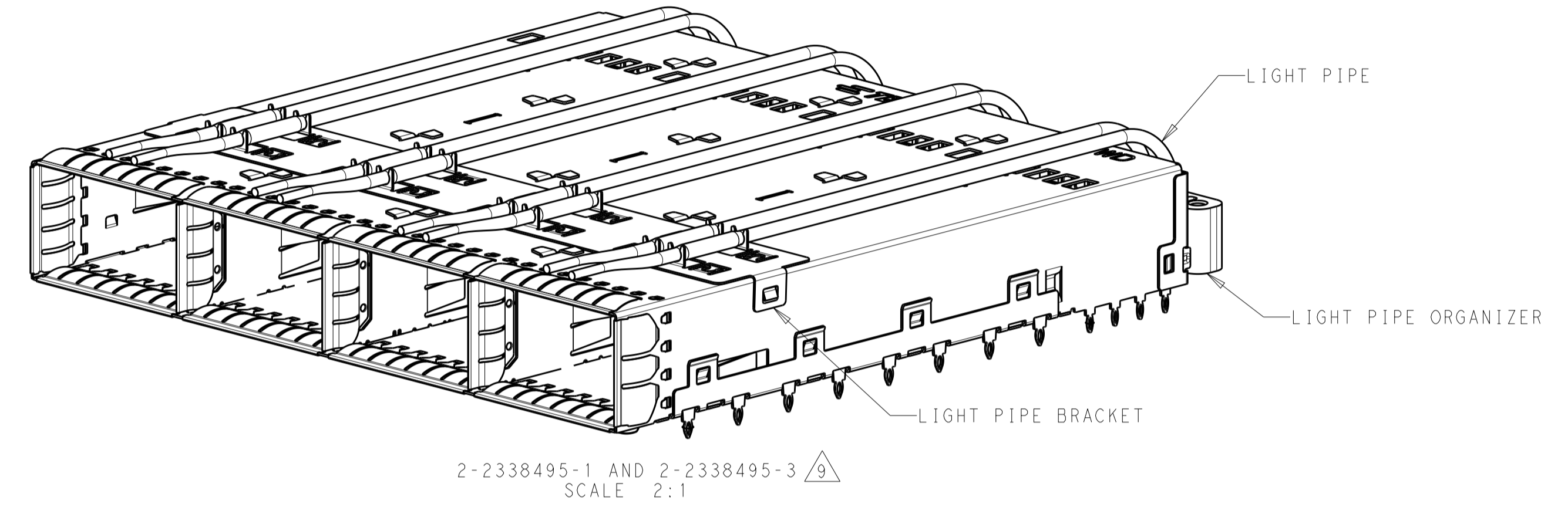
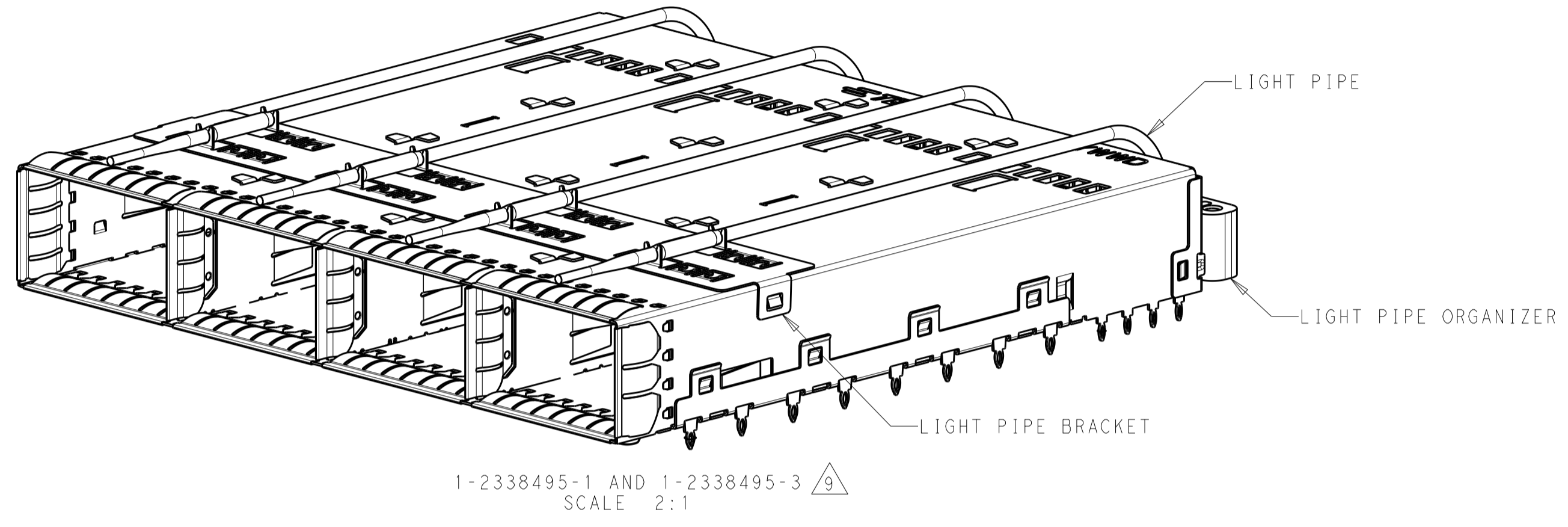
2338495-4
SCALE 2:1



2338495-5
SCALE 2:1

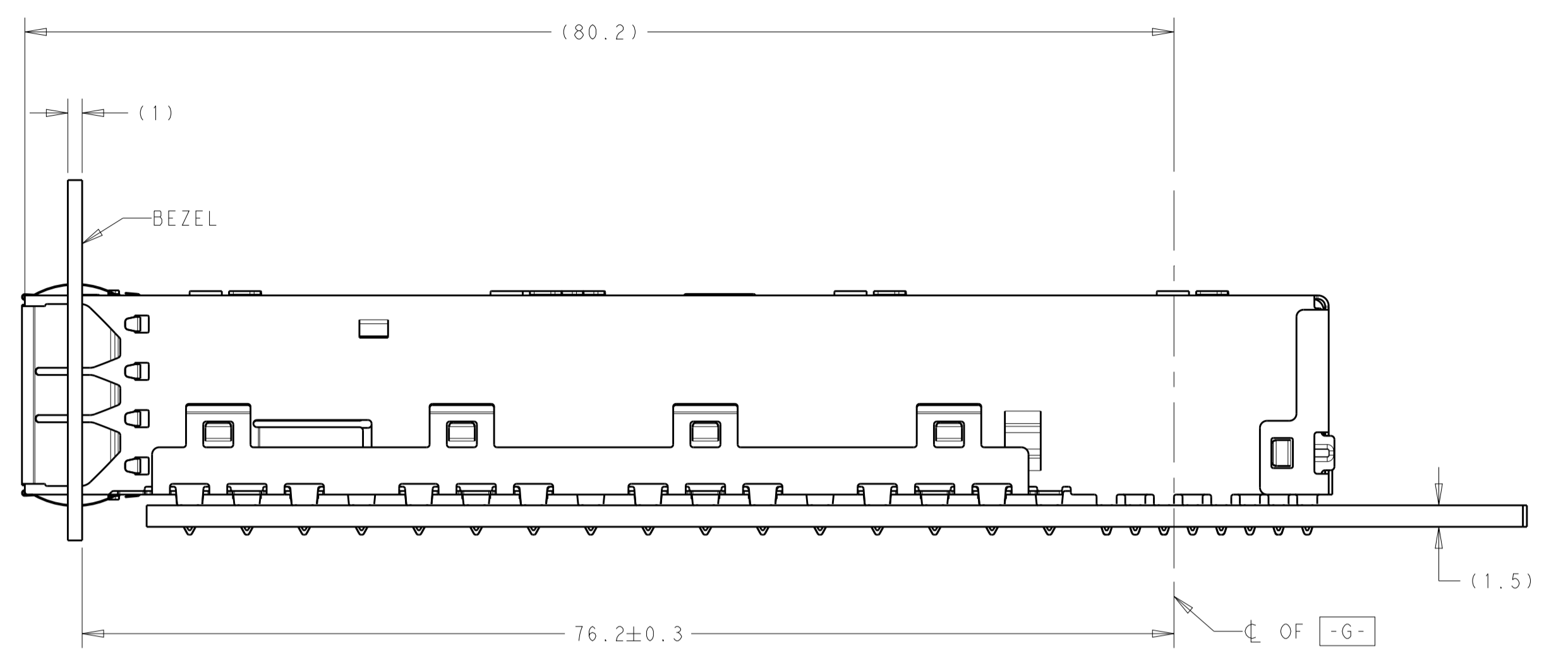
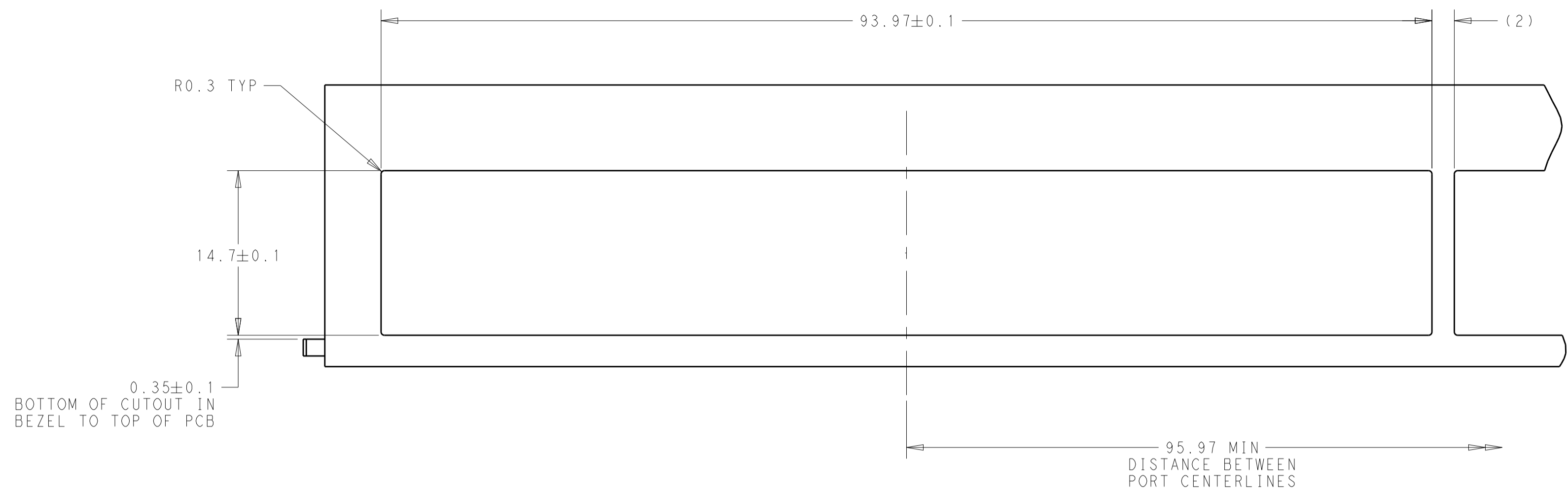
THIS DRAWING IS A CONTROLLED DOCUMENT.		DWN C. VALENTINE 18JUN2018	 TE Connectivity
DIMENSIONS: mm		CHK D. HARMON 18JUN2018	
TOLERANCES UNLESS OTHERWISE SPECIFIED: 0 PLC ± 1 PLC ±0.25 2 PLC ±0.15 3 PLC ±0.10 4 PLC ± ANGLES ± FINISH		APVD D. HARMON 18JUN2018	NAME CAGE ASSEMBLY, 1X4, OSFP
MATERIAL		PRODUCT SPEC 108-60117	SIZE A1
		APPLICATION SPEC 114-130009	CAGE CODE C=2338495
		WEIGHT	RESTRICTED TO
		CUSTOMER DRAWING	SCALE 3:1 SHEET 2 OF 8 REV D

REVISIONS				
P.	LTN	DESCRIPTION	DATE	OWN APVD
-	-	SEE SHEET 1	-	-

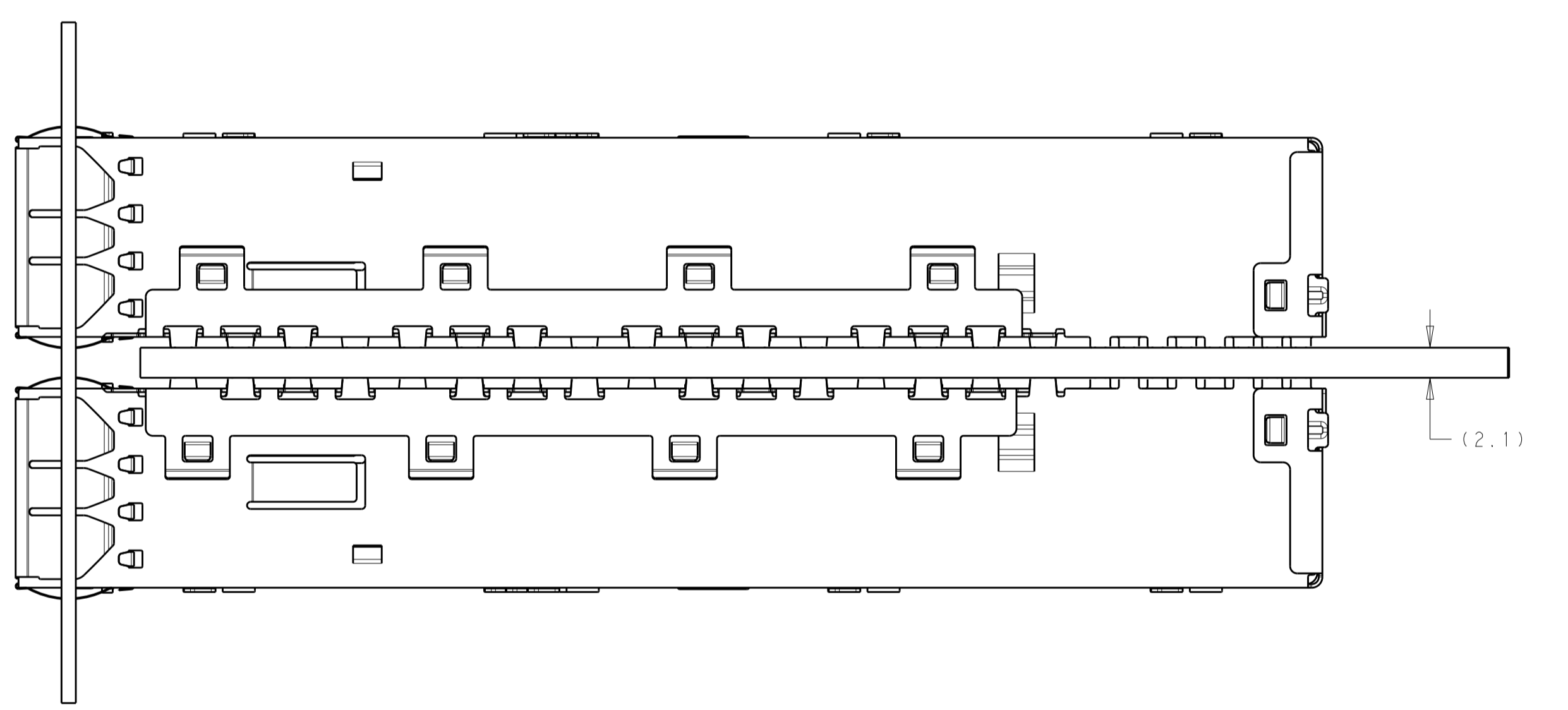
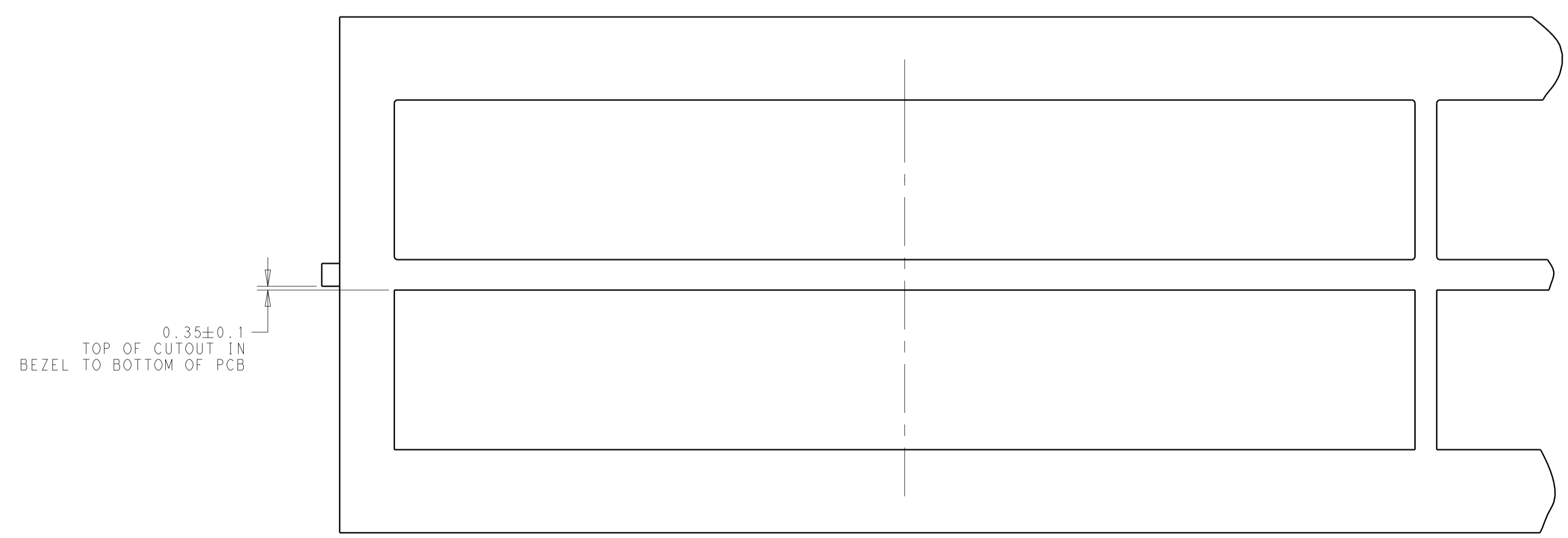


THIS DRAWING IS A CONTROLLED DOCUMENT.		DWN C. VALENTINE 18JUN2018	TE Connectivity
DIMENSIONS: mm		CHK D. HARMON 18JUN2018	
TOLERANCES UNLESS OTHERWISE SPECIFIED:		APVD D. HARMON 18JUN2018	NAME CAGE ASSEMBLY, 1X4, OSFP
0 PLC ±	1 PLC ±0.25	PRODUCT SPEC	SIZE A1
2 PLC ±0.15	3 PLC ±0.10	108-60117	CAGE CODE -
4 PLC ±	ANGLES ±	APPLICATION SPEC	DRAWING NO C=2338495
MATERIAL	FINISH	114-130009	RESTRICTED TO -
CUSTOMER DRAWING		WEIGHT	SCALE 3:1
			SHEET 3 OF 8
			REV D

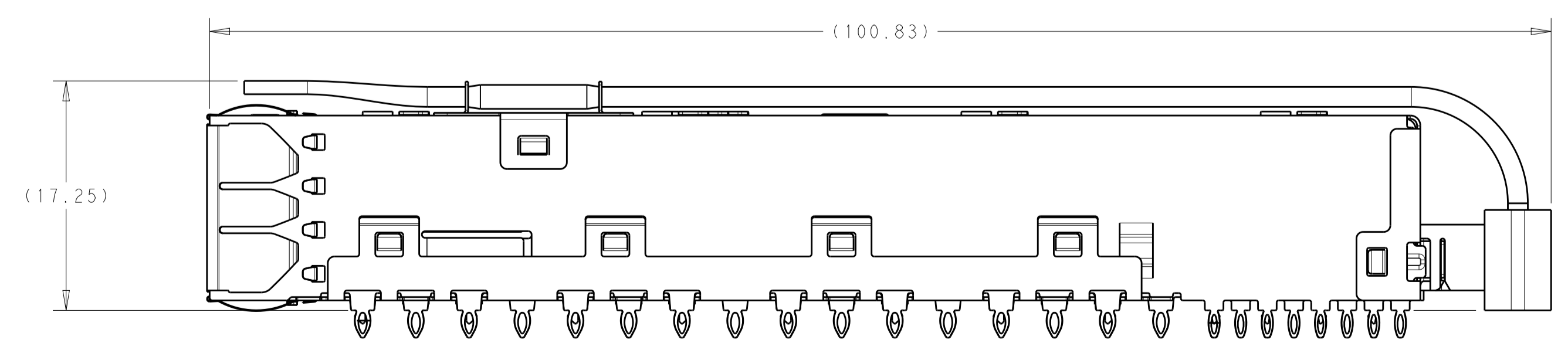
REVISIONS				
P.	LTN	DESCRIPTION	DATE	APVD
-	-	SEE SHEET 1	-	-



SINGLE SIDE MOUNTING

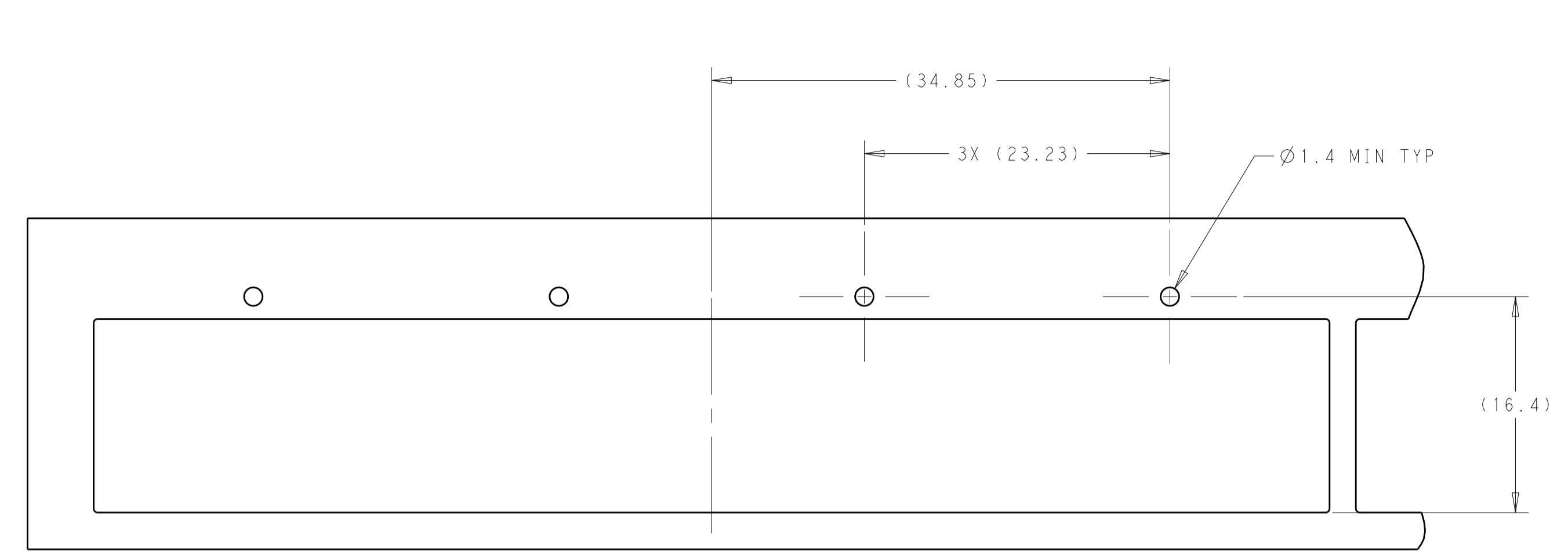


BELLY TO BELLY MOUNTING
 SAME AS SINGLE SIDE
 EXCEPT AS NOTED

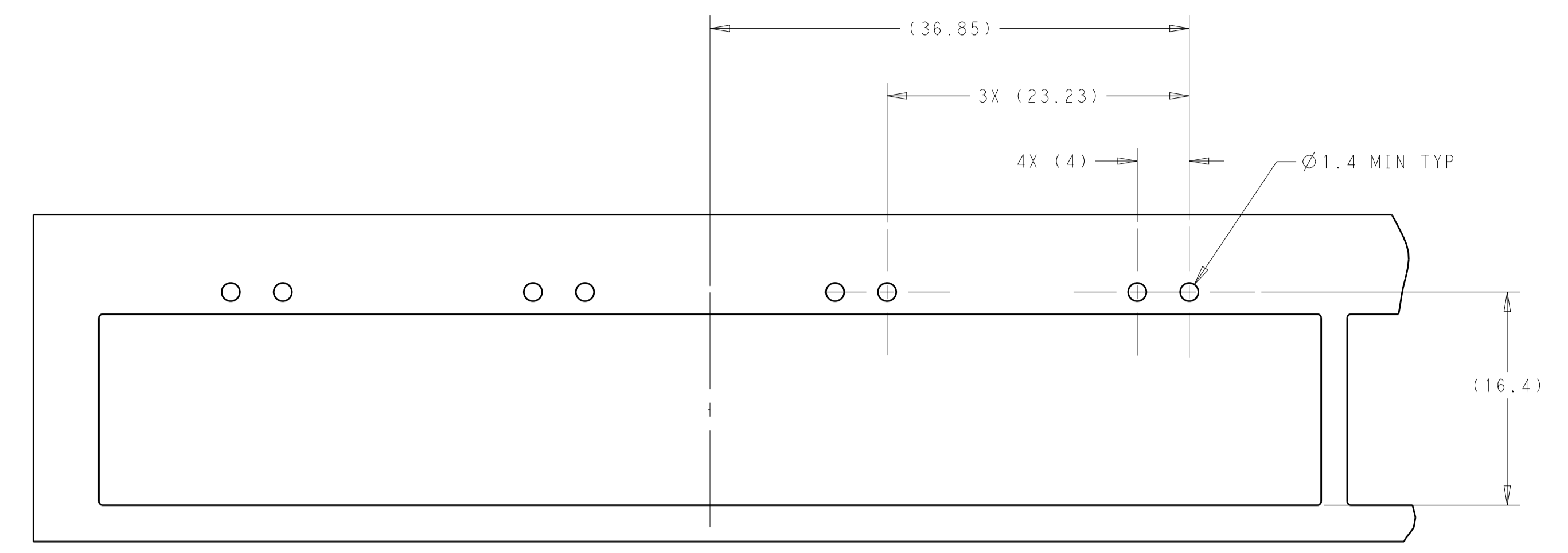


THIS DRAWING IS A CONTROLLED DOCUMENT.		DWN C. VALENTINE 18JUN2018	TE Connectivity	
DIMENSIONS:		CHK D. HARMON 18JUN2018	NAME CAGE ASSEMBLY, 1X4, OSFP	
mm	TOLERANCES UNLESS OTHERWISE SPECIFIED:	APVD D. HARMON 18JUN2018	PRODUCT SPEC -	
	0 PLC ±	PRODUCT SPEC	108-60117	
	1 PLC ±0.25	APPLICATION SPEC	114-130009	
	2 PLC ±0.15	WEIGHT	-	
	3 PLC ±0.10	SCALE	3:1	
	4 PLC ±	SHEET	4 OF 8	
	ANGLES ±	REV	D	
MATERIAL	FINISH	CUSTOMER DRAWING	CAGE CODE DRAWING NO A1 - C=2338495	

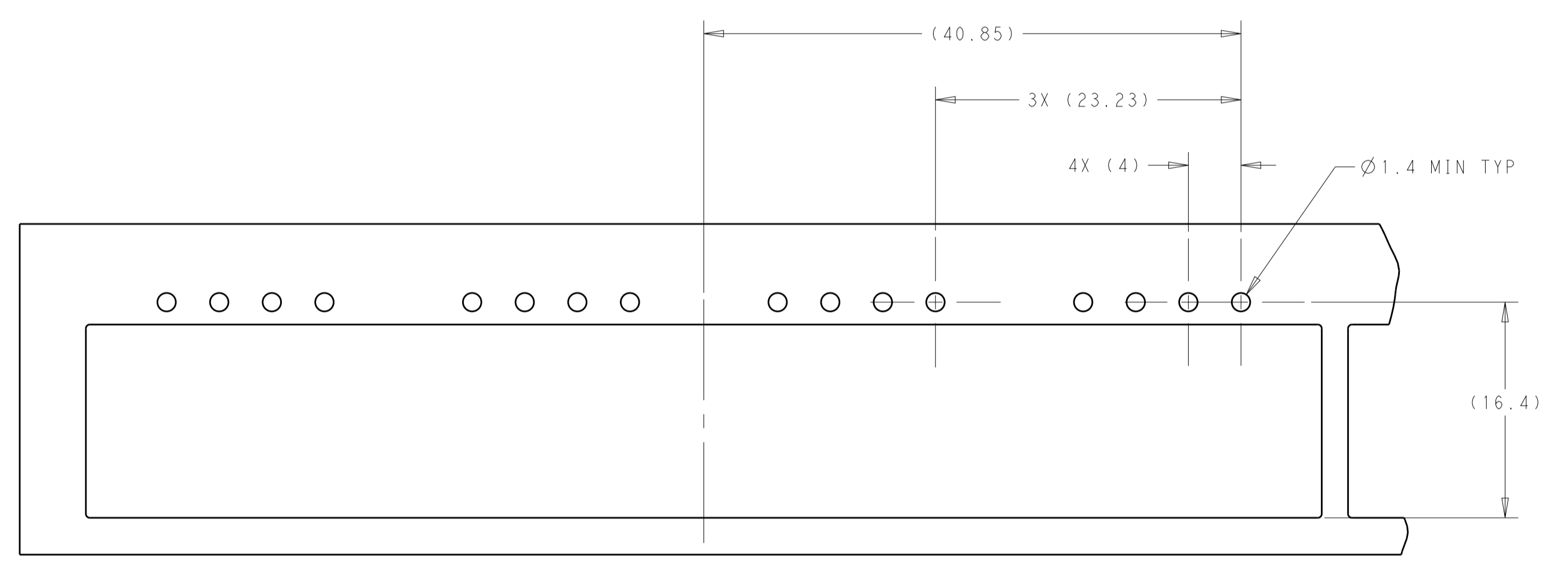
REVISIONS				
P.	LTH	DESCRIPTION	DATE	APVD
-	-	SEE SHEET 1	-	-



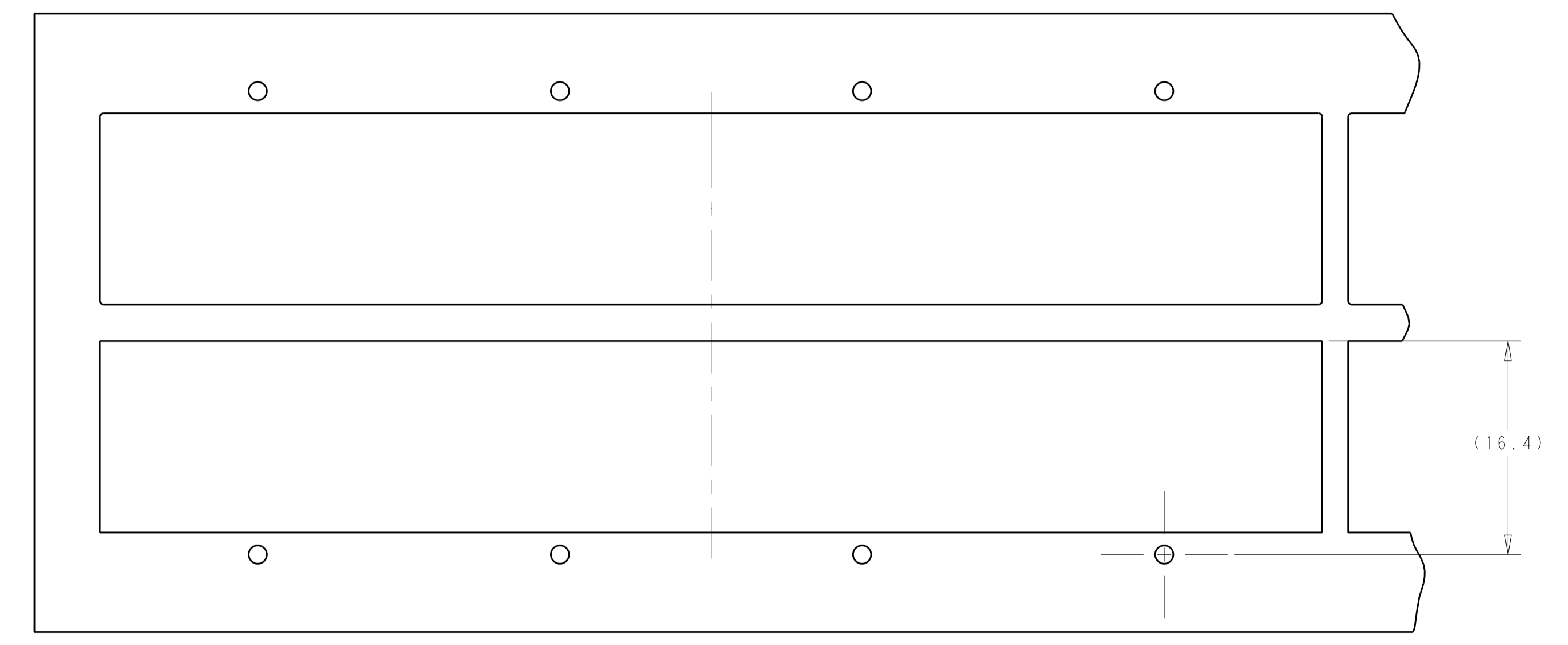
BEZEL LAYOUT FOR SINGLE LIGHT PIPE
SINGLE SIDE



BEZEL LAYOUT FOR DOUBLE LIGHT PIPE
SINGLE SIDE



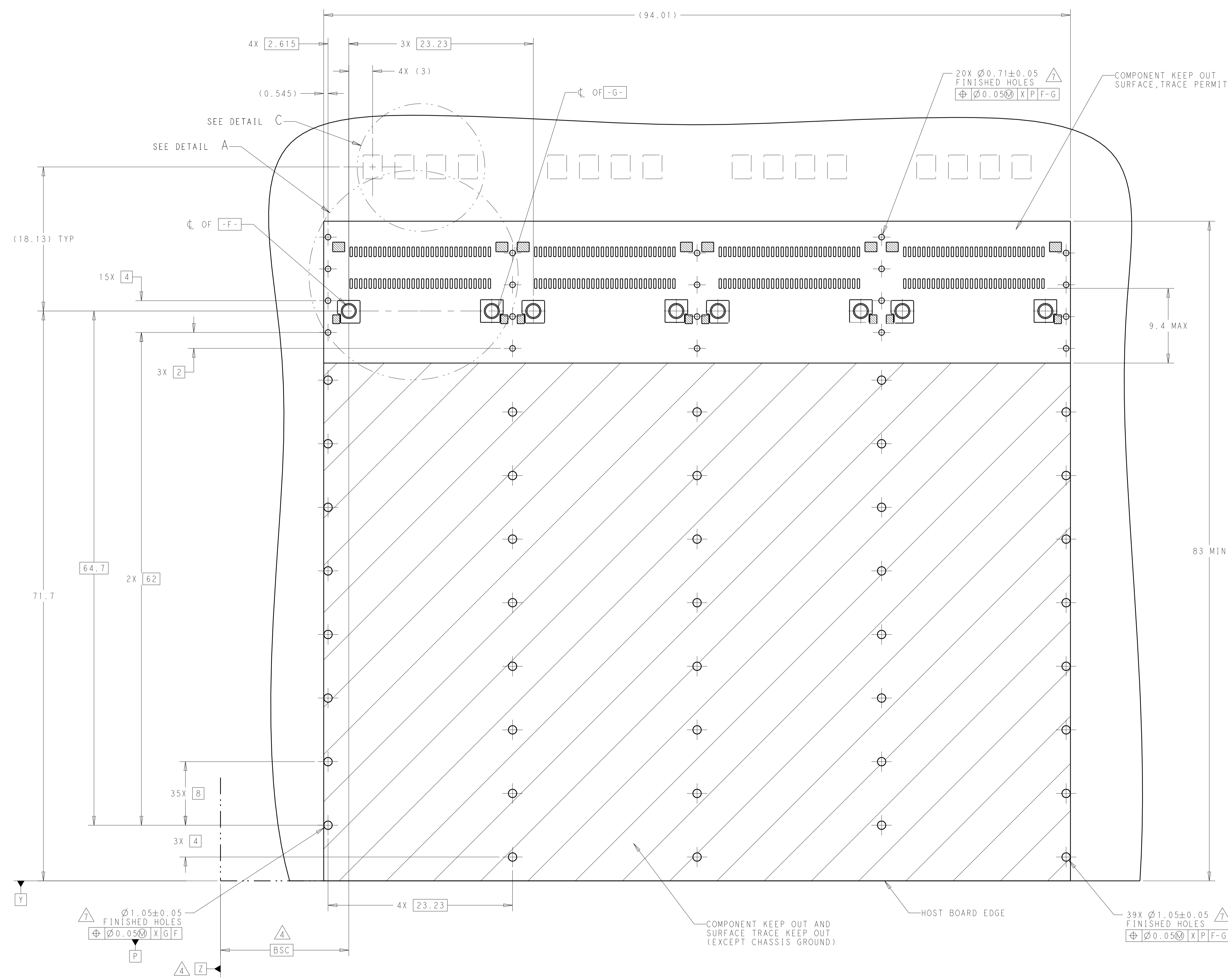
BEZEL LAYOUT FOR QUAD LIGHT PIPE
SINGLE SIDE



BEZEL LAYOUT FOR LIGHT PIPES
BELLY TO BELLY
SIMILAR TO SINGLE SIDE
EXCEPT WHERE NOTED

THIS DRAWING IS A CONTROLLED DOCUMENT.		OWN C. VALENTINE 18JUN2018	TE Connectivity	
DIMENSIONS: mm		CHK D. HARMON 18JUN2018	NAME CAGE ASSEMBLY, 1X4, OSFP	
TOLERANCES UNLESS OTHERWISE SPECIFIED:		APVD D. HARMON 18JUN2018	PRODUCT SPEC -	
0 PLC ±0.25		APPLICATION SPEC 108-60117		
1 PLC ±0.15		SIZE A1		
2 PLC ±0.10		CAGE CODE -		
3 PLC ±0.10		DRAWING NO. C=2338495		
4 PLC ±0.10		RESTRICTED TO -		
ANGLES ±0.5°		SCALE 3:1		
FINISH		SHEET 5 OF 8		
MATERIAL		REV D		
CUSTOMER DRAWING		SCALE 3:1		

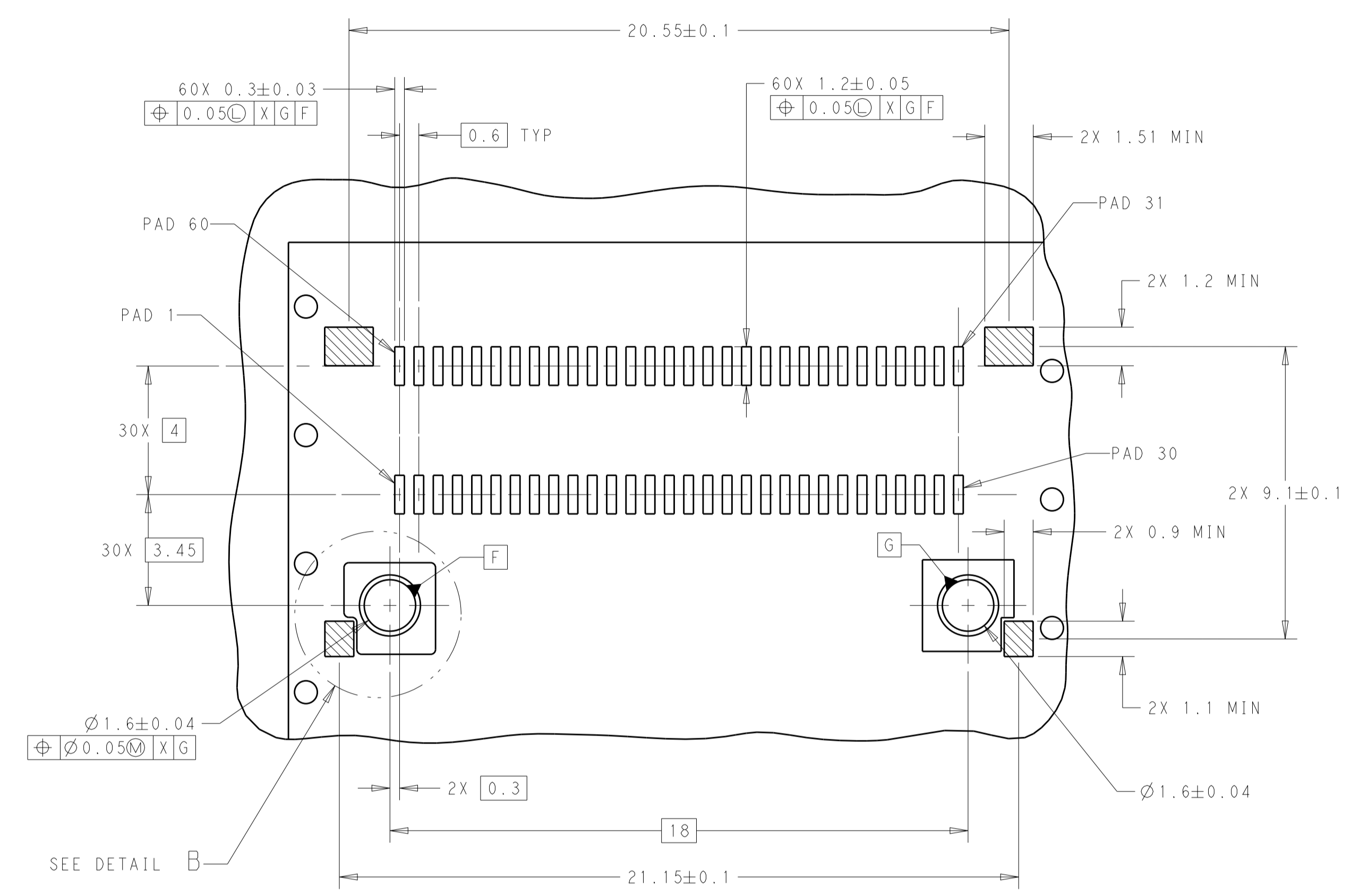
REVISIONS				
P.	LTN	DESCRIPTION	DATE	APVD
-	-	SEE SHEET 1	-	-



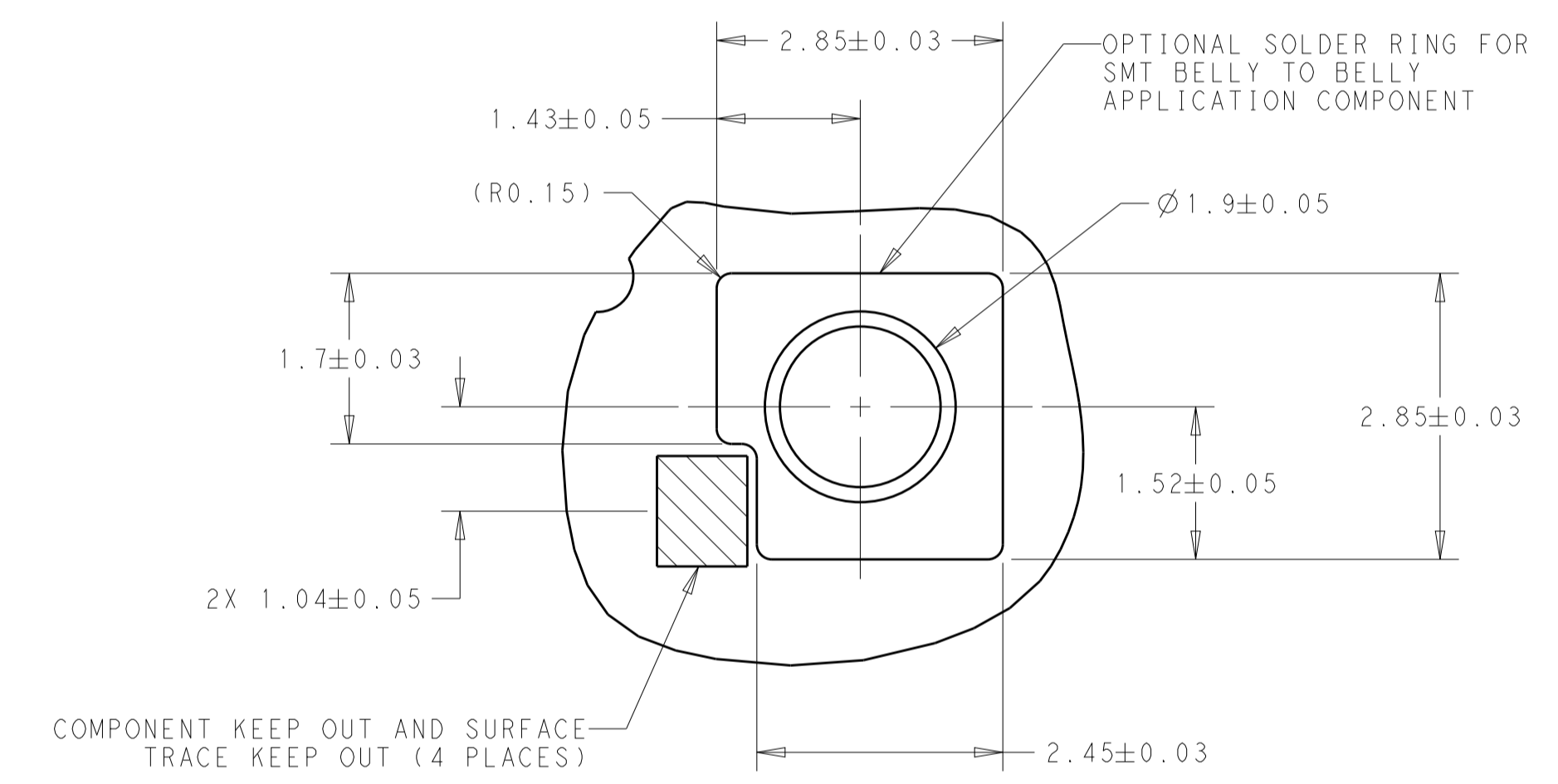
RECOMMENDED PCB LAYOUT
SINGLE SIDED APPLICATION
SCALE 4:1

THIS DRAWING IS A CONTROLLED DOCUMENT.		DWN C. VALENTINE 18JUN2018	TE Connectivity
DIMENSIONS: mm		CHK D. HARMON 18JUN2018	
TOLERANCES UNLESS OTHERWISE SPECIFIED:		APVD D. HARMON 18JUN2018	NAME CAGE ASSEMBLY, 1X4, OSFP
0 PLC	±	PRODUCT SPEC	SIZE A1
1 PLC	±0.25	108-60117	CAGE CODE -
2 PLC	±0.15	APPLICATION SPEC	DRAWING NO C=2338495
3 PLC	±0.10	114-130009	RESTRICTED TO -
4 PLC	±	WEIGHT	SCALE 3:1
ANGLES	±	CUSTOMER DRAWING	SHEET 6 OF 8
MATERIAL	FINISH		REV D

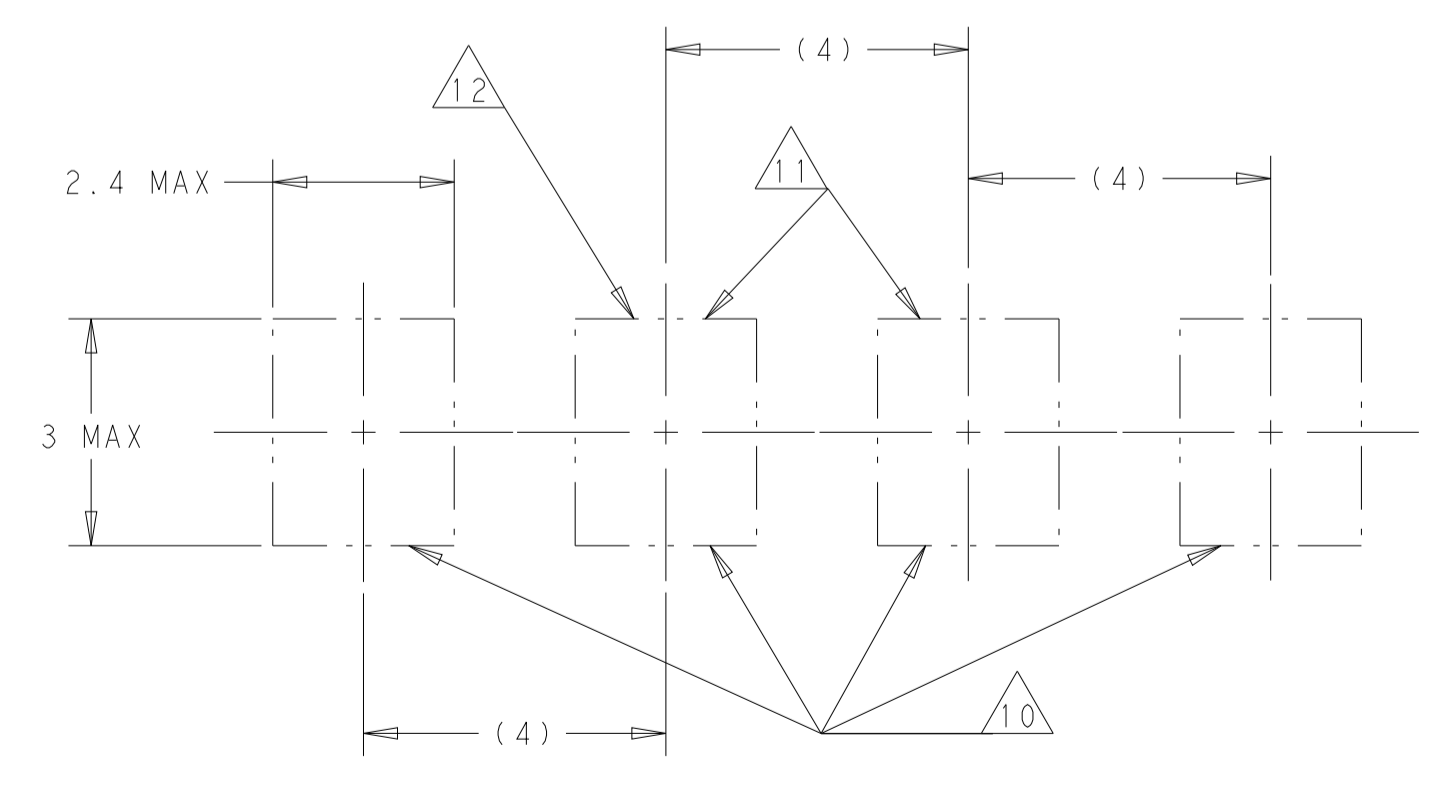
REVISIONS				
P	LTN	DESCRIPTION	DATE	APVD
-	-	SEE SHEET 1	-	-



4X INDIVIDUALLY
 DETAIL A
 SCALE 8:1



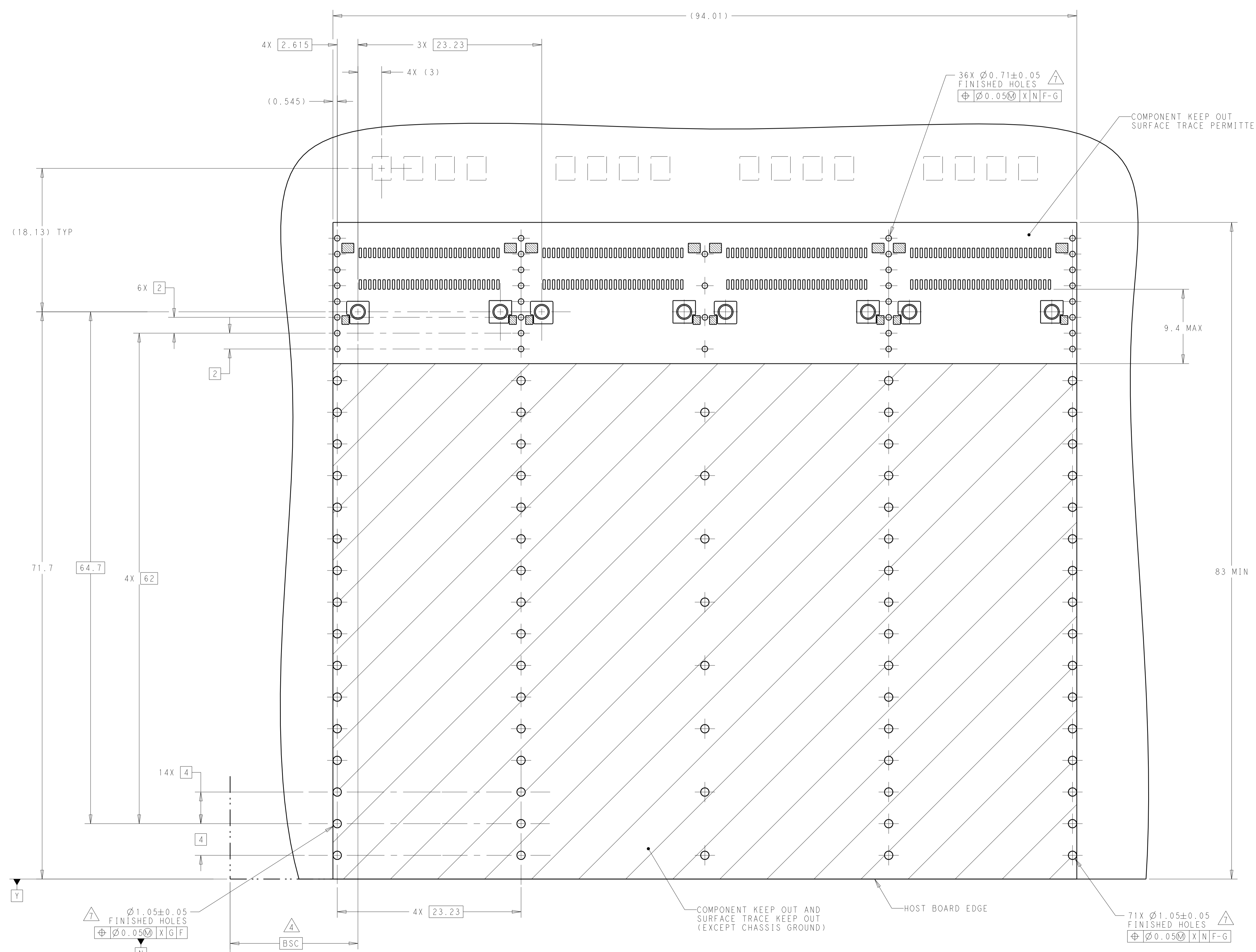
DETAIL B
 SCALE 16:1



DETAIL C
 SCALE 10:1

THIS DRAWING IS A CONTROLLED DOCUMENT.		OWN C. VALENTINE 18JUN2018	TE Connectivity
DIMENSIONS:		CHK D. HARMON 18JUN2018	
mm	TOLERANCES UNLESS OTHERWISE SPECIFIED:	APVD D. HARMON 18JUN2018	NAME CAGE ASSEMBLY, 1X4, OSFP
	0 PLC ± 1 PLC ±0.25 2 PLC ±0.15 3 PLC ±0.10 4 PLC ± ANGLES ± FINISH ±	PRODUCT SPEC 108-60117	SIZE A1
MATERIAL		APPLICATION SPEC 114-130009	CAGE CODE DRAWING NO C=2338495
		WEIGHT	RESTRICTED TO
		CUSTOMER DRAWING	SCALE 3:1 SHEET 7 OF 8 REV D

REVISIONS				
P.	LTN	DESCRIPTION	DATE	APVD
-	-	SEE SHEET 1	-	-



RECOMMENDED PCB LAYOUT
BELLY TO BELLY APPLICATION
SCALE 4:1

THIS DRAWING IS A CONTROLLED DOCUMENT.		DWN C. VALENTINE 18JUN2018	 TE Connectivity
DIMENSIONS: mm		CHK D. HARMON 18JUN2018	
TOLERANCES UNLESS OTHERWISE SPECIFIED:		APVD D. HARMON 18JUN2018	NAME CAGE ASSEMBLY, 1X4, OSFP
0 PLC	±	PRODUCT SPEC	SIZE
1 PLC	±0.25	108-60117	CAGE CODE
2 PLC	±0.15	APPLICATION SPEC	DRAWING NO
3 PLC	±0.10	114-130009	RESTRICTED TO
4 PLC	±	WEIGHT	A1
ANGLES	±	CUSTOMER DRAWING	SCALE 3:1
MATERIAL	FINISH	SCALE 3:1	SHEET 8 OF 8
MATERIAL		SCALE 3:1	REV D