

THIS DRAWING IS UNPUBLISHED.

RELEASED FOR PUBLICATION

20

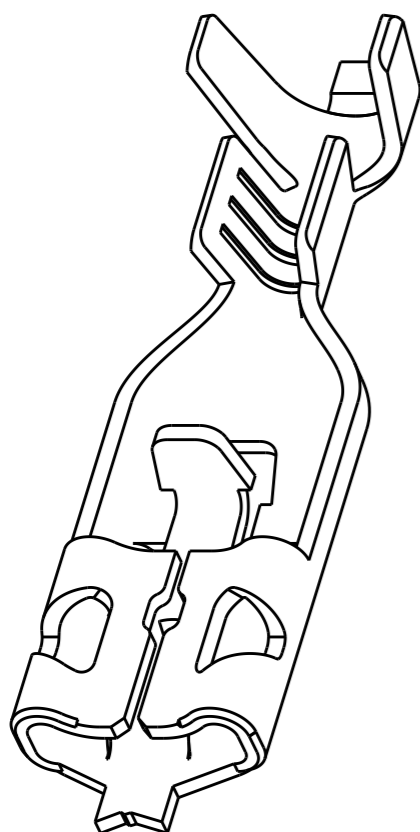
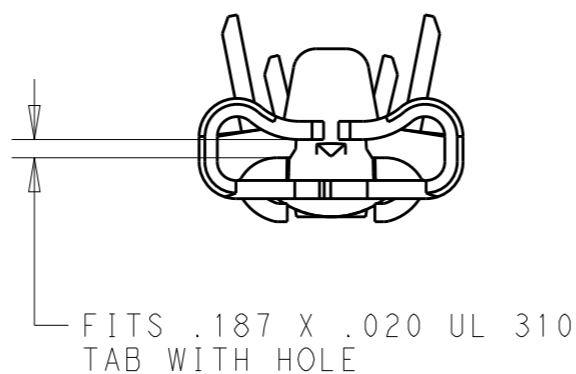
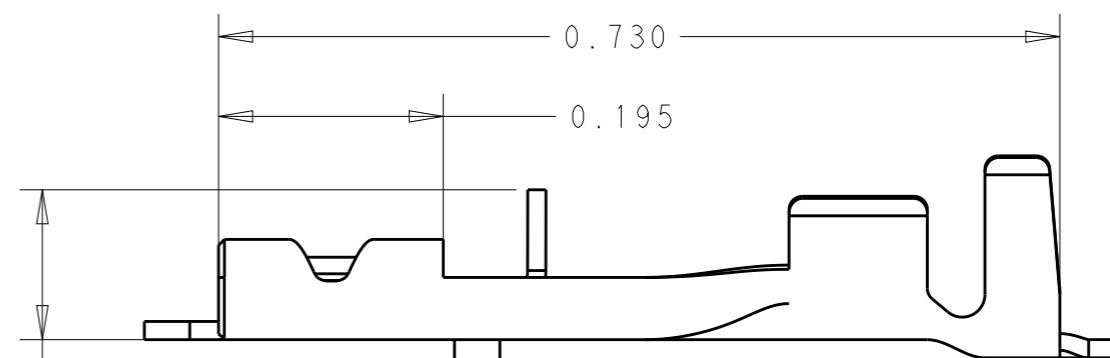
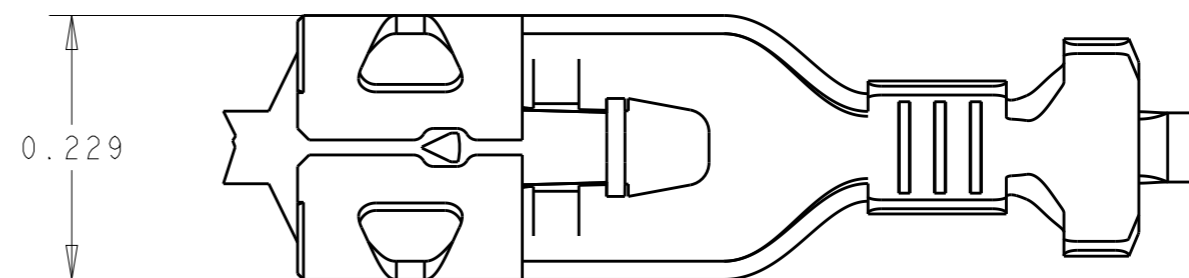
© COPYRIGHT 20 BY -


ALL RIGHTS RESERVED.

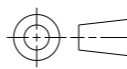
REVISIONS

P	LTR	DESCRIPTION	DATE	DWN	APVD
	A	RELEASED PER ECR-18-007868	22MAY2018	MD	TD

1. THIS PRODUCT HAS NOT COMPLETED QUALIFICATION TESTING.



.065 - .130	20-16 AWG	2238178-1
INSULATION RANGE	WIRE SIZE	PART NUMBER
DWN M. DIDONATO 22MAY2018	 <b>TE Connectivity</b>	
CHK M. DIDONATO 22MAY2018		
APVD T. DING 22MAY2018	NAME 187X020 SERIES POSITIVE LOCK MARK II RECEP.	
PRODUCT SPEC 108-143022	SIZE A3	CAGE CODE -
APPLICATION SPEC 114-2074	DRAWING NO C-2238178	RESTRICTED TO -
WEIGHT -	SCALE 3:1	
CUSTOMER DRAWING	SHEET 1 OF 1	REV A1

THIS DRAWING IS A CONTROLLED DOCUMENT.	
DIMENSIONS: IN	TOLERANCES UNLESS OTHERWISE SPECIFIED:
	0 PLC ±-
	1 PLC ±-
	2 PLC ±-
	3 PLC ±.015
	4 PLC ±-
	ANGLES ±-
MATERIAL STEEL	FINISH NI