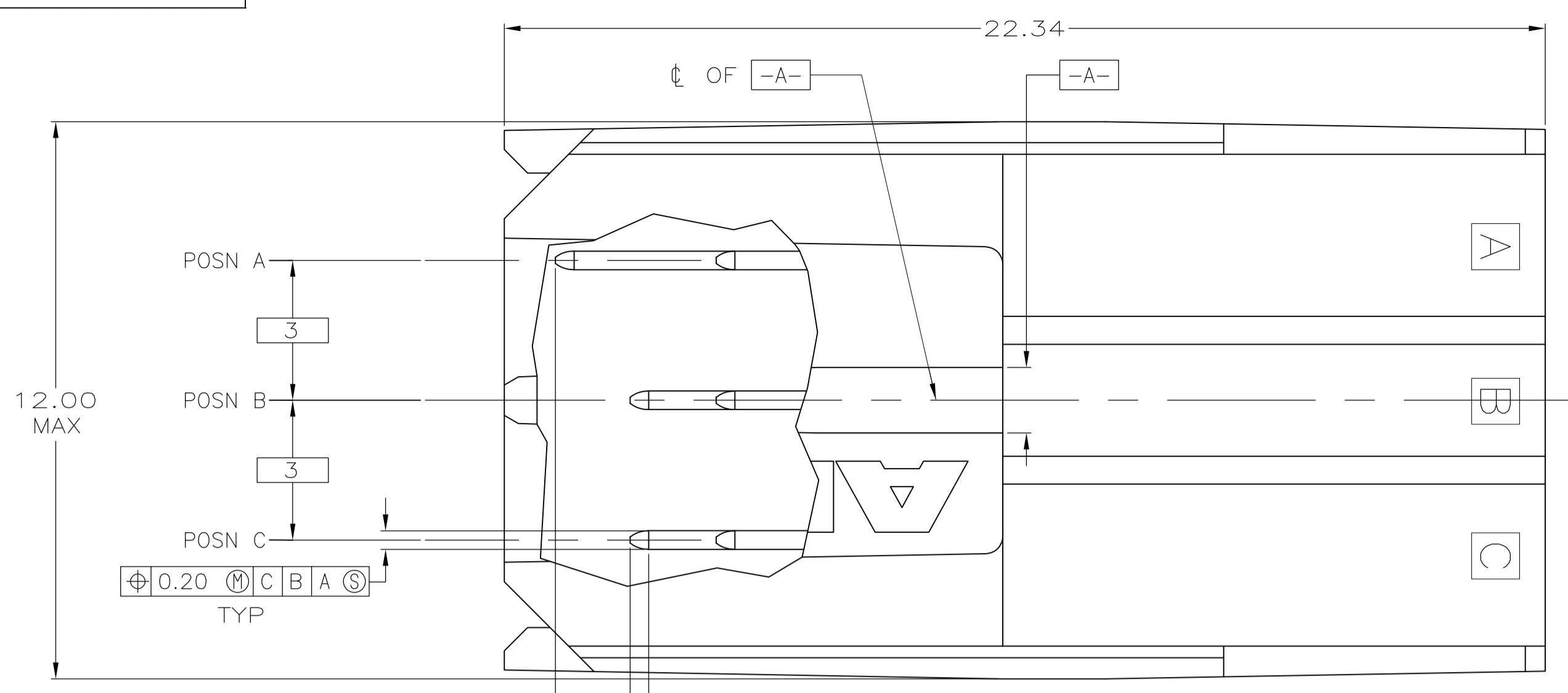
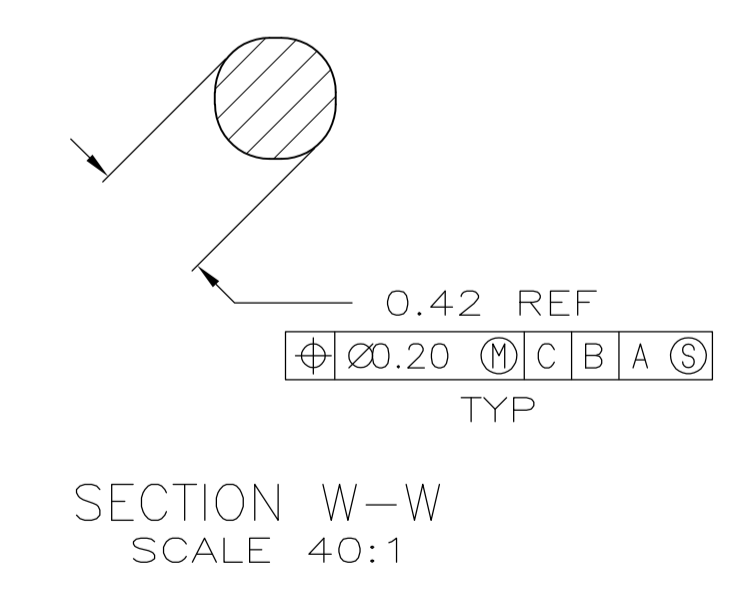
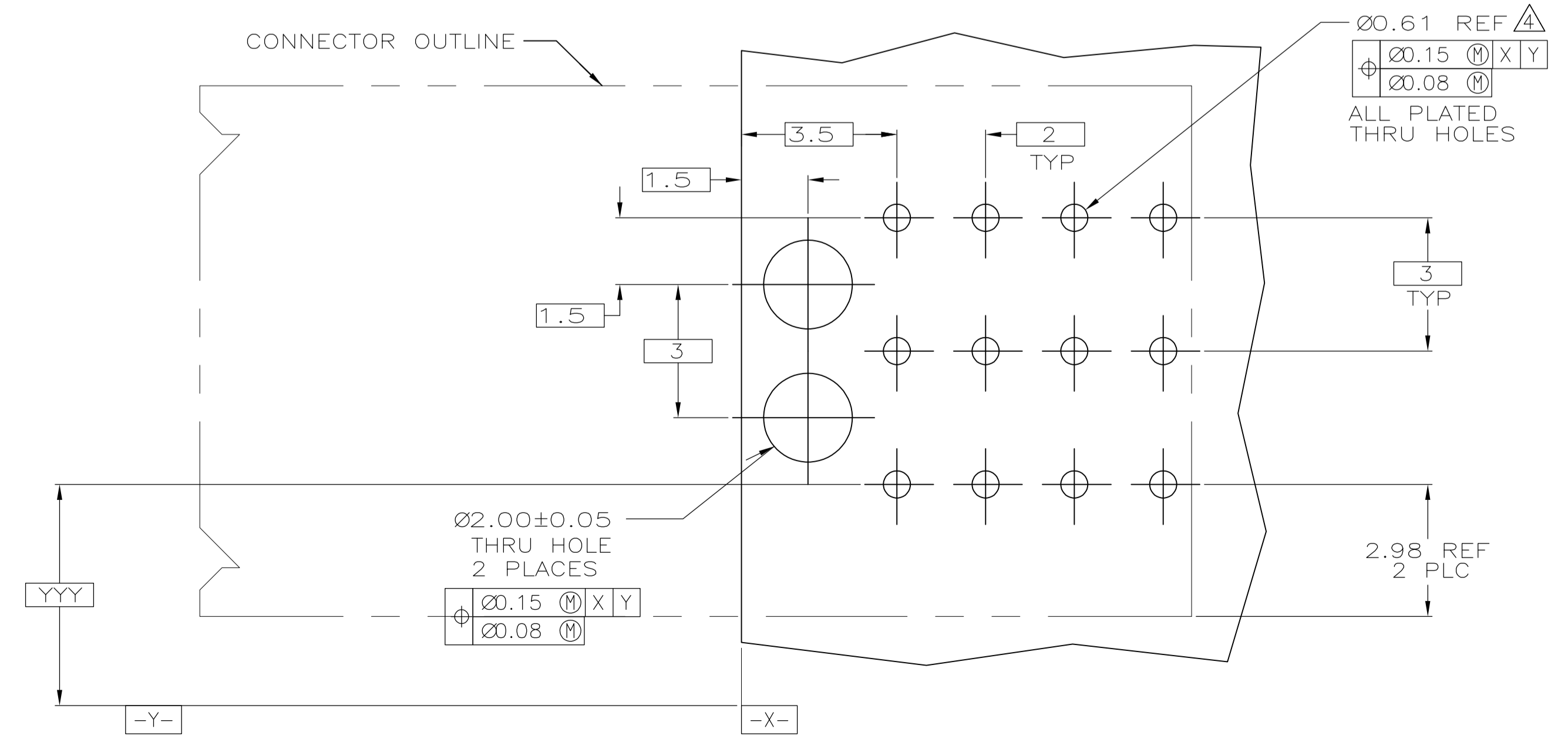
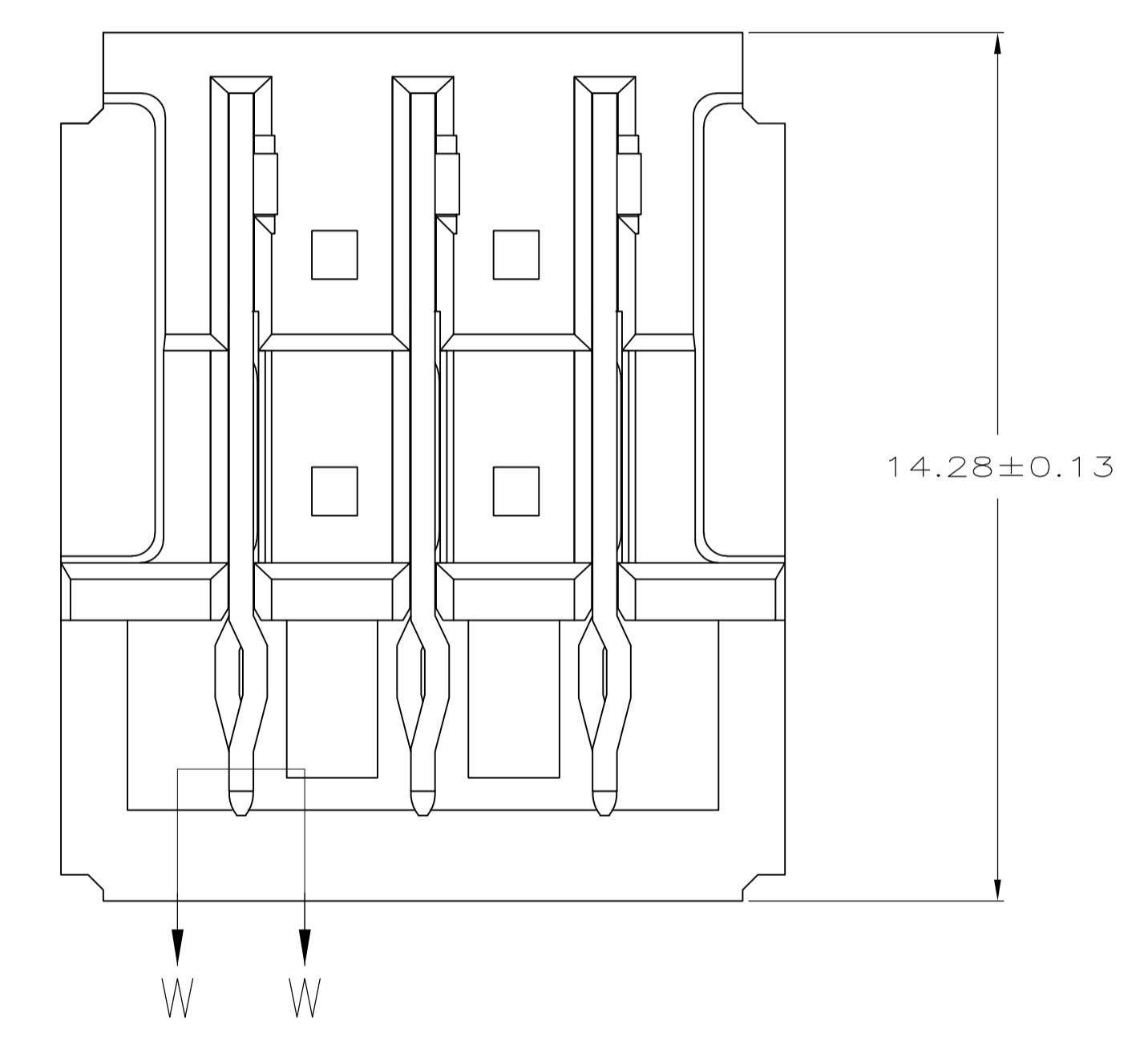
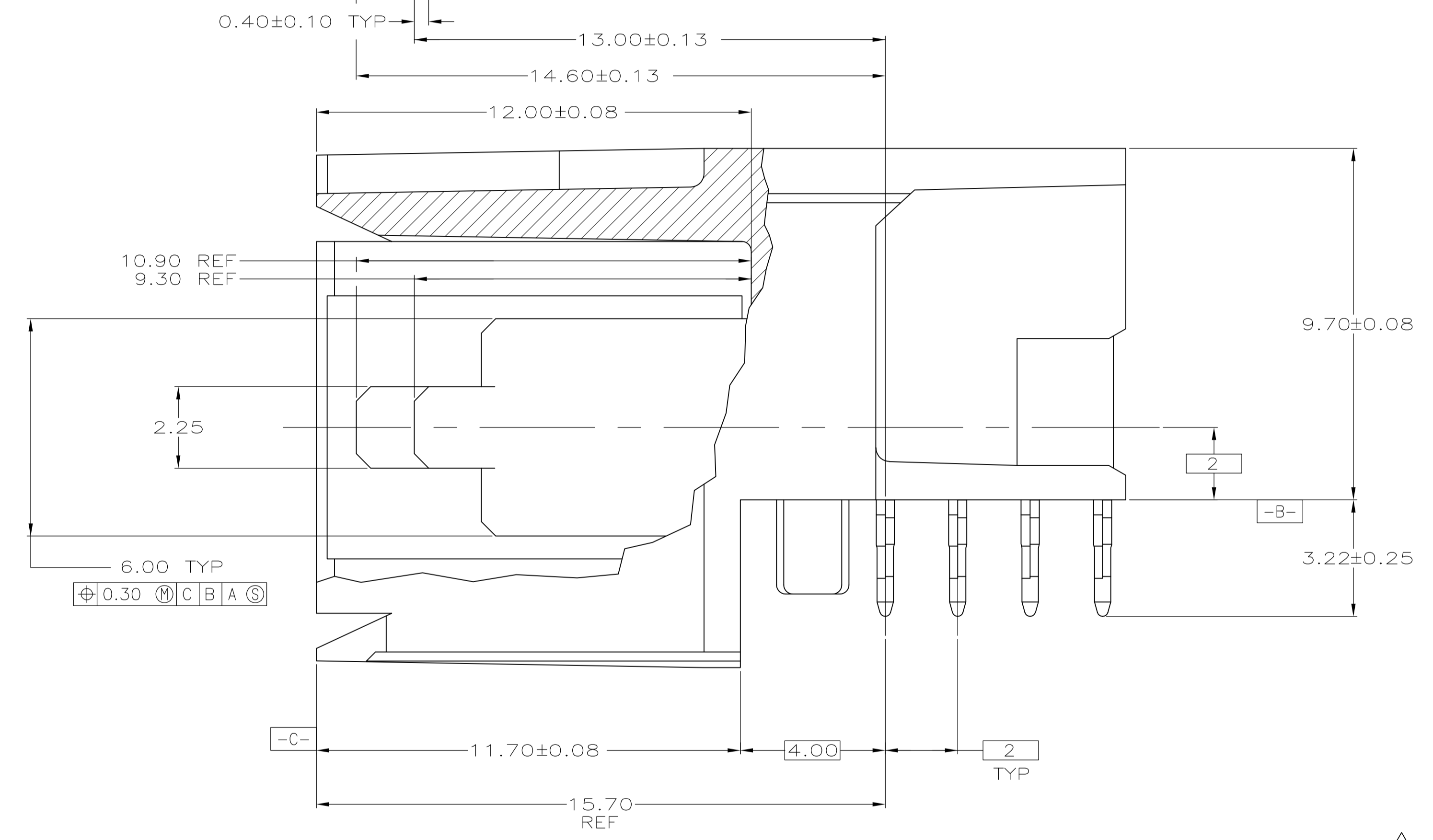
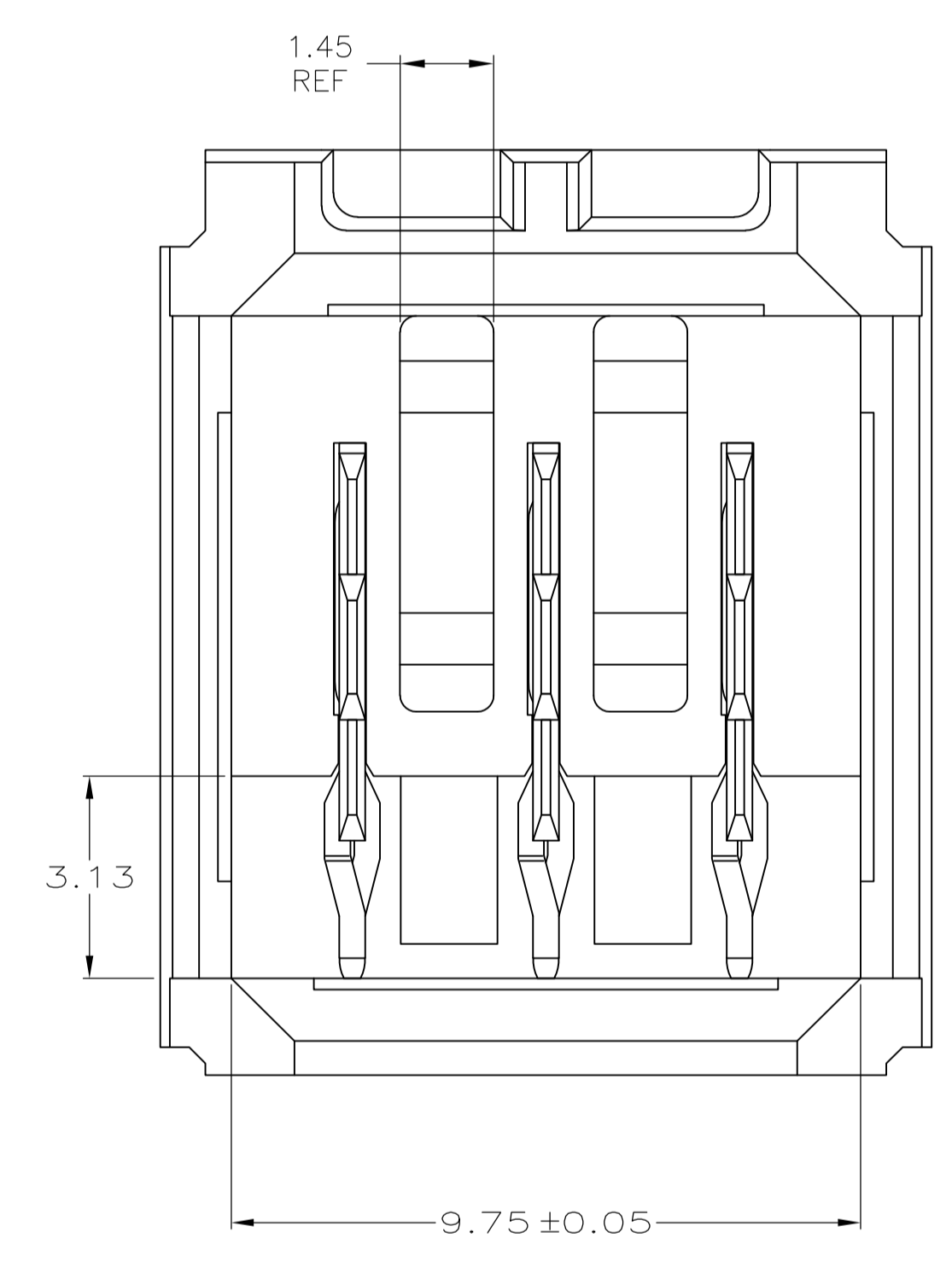


LOC		DIST		REVISIONS			
AD	00	REV	LTR	DESCRIPTION	DATE	DMN	APVD
F				REVISED PER ECO-11-000045	04JAN11	DH	DY



- ⚠ MATERIAL: HOUSING: POLYESTER. COLOR: GRAY. UL 94V-0. CONTACT: PHOSPHOR BRONZE.
- ⚠ FINISH: CONTACT MATING AREA: 1.27 μ m MIN GOLD OR 0.08 μ m MIN GOLD OVER 0.76 μ m MIN PALLADIUM-NICKEL. ACTION PIN AREA: 0.5 μ m MIN TIN LEAD PLATE, ALL OVER 1.27 μ m MIN NICKEL UNDERPLATE.
- ⚠ FINISH: CONTACT LUBRICATION WITH BELLCORE APPROVED LUBRICANT. TECHNICAL REFERENCE: TR-NWT-001217 ISSUE 1, SEPT 1992.
- ⚠ REFERENCE APPLICATION SPEC 114-1103 FOR RECOMMENDED PLATED THRU HOLE DIAMETER AND PLATING THICKNESSES.
- 5. CURRENT RATING 10A/CONTACT PER PRODUCT SPEC 108-1651.



223968-1
PART NUMBER

THIS DRAWING IS A CONTROLLED DOCUMENT.		DIN J.LOCONDR0 21FEB97	Tyco Electronics Corporation Harrisburg, PA 17105-3608
DIMENSIONS: mm		CHK R.W.FLICKER 21FEB97	
TOLERANCES UNLESS OTHERWISE SPECIFIED:		NAME R.W.FLICKER 21FEB97	PRODUCT SPEC
0 PLC \pm -		APPLICATION SPEC	ASSEMBLY, RIGHT ANGLE HEADER, W/ RETENTION PEGS, UNIVERSAL POWER MODULE
1 PLC \pm -		SIZE	A1
2 PLC \pm 0.13		WEIGHT	00779 C=223968
3 PLC \pm -		CUSTOMER DRAWING	SCALE 10:1 SHEET 1 OF 1 REV F
4 PLC \pm -			
ANGLES \pm -			