

4

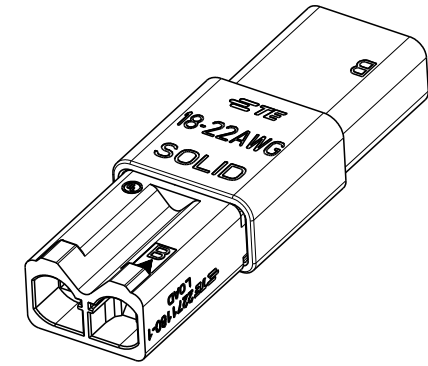
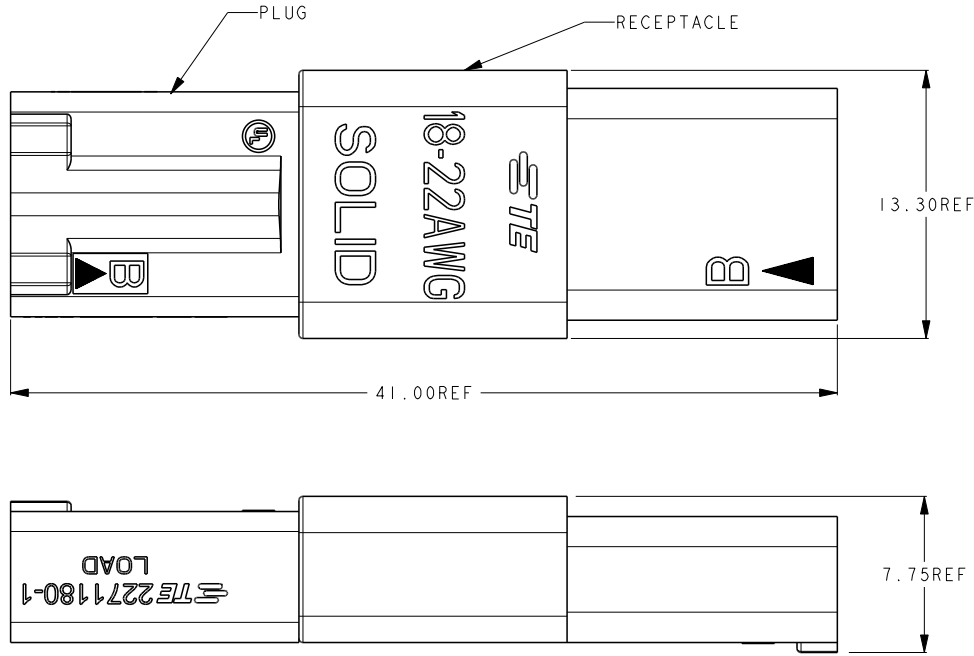
3

2

1

THIS DRAWING IS UNPUBLISHED. RELEASED FOR PUBLICATION 20  
 (C) COPYRIGHT 20 ALL RIGHTS RESERVED.

LOC	DIST	REVISIONS			
P	LTR	DESCRIPTION	DATE	DWN	APVD
	B	ECR-16-007582	01JUN2016	M.S	X.X
	C	ECR-18-020006	03APR2019	M.S	X.X
	D	ECR-19-010701	16AUG2019	M.S	M.S
	DI	ECR-19-013399	26DEC2019	F.F	M.S



PART NUMBER	PLUG	RECEPTACLE	PART COLOR
2271203-1	2271180-1	2271183-1	ORANGE

- NOTES:
- 1. MATED CONNECTOR PART NUMBER: SEE TABLE.
  - 2. MATERIAL: COPPER ALLOY.
  - 3. HOUSING: NYLON, UL 94-V0. COLOR: ORANGE.
  - 4. FINISH: TIN PLATING OVERALL.
  - 5. PACKAGING: PLASTIC BAG.
  - 6. APPLICABLE WIRE: AWG18-22 SOLID OR TIN DIPPED STRANDED. (16 STRANDS MAX. FOR 18 AWG, 7 STRANDS MAX FOR 20-22 AWG. SEE RELATED APPLICATION SPECIFICATION AND PRODUCT SPECIFICATION)
  - 7. STRIP LENGTH: 9.0-9.6mm.
  - 8. PRODUCT COMPLIES TO UL 2459 REQUIREMENT AND QUALIFIED: ZMNA.E308110 ; ZMNA7.E308110

THIS DRAWING IS A CONTROLLED DOCUMENT.		DWN	26DEC2019	<b>STE</b> TE Connectivity	
		CHK	FRANK FAN		
		APVD	GEORGE FU		
		NAME	MING SHI		
DIMENSIONS: mm		PRODUCT SPEC	2 PIN WIRE TO WIRE CONNECTOR		
TOLERANCES UNLESS OTHERWISE SPECIFIED: ±0.50		APPLICATION SPEC	108-137020		
		APPLICATION SPEC	114-137020		
MATERIAL		WEIGHT	3.56g		
		CUSTOMER DRAWING	SIZE	CAGE CODE	DRAWING NO
		A300779		C-2271203	-
		SCALE 4:1		SHEET 1 OF 2	REV DI

4

3

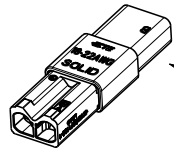
2

1

THIS DRAWING IS UNPUBLISHED.      RELEASED FOR PUBLICATION      20

© COPYRIGHT 20      ALL RIGHTS RESERVED.

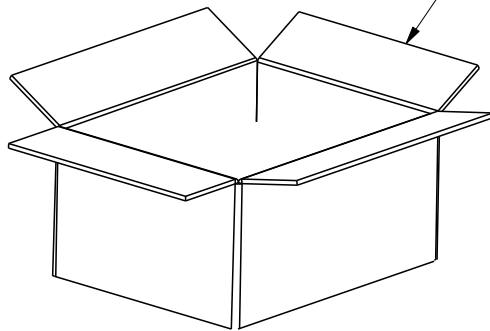
LOC	DIST	REVISIONS					
		P	LTR	DESCRIPTION	DATE	DWN	APVD
ES							



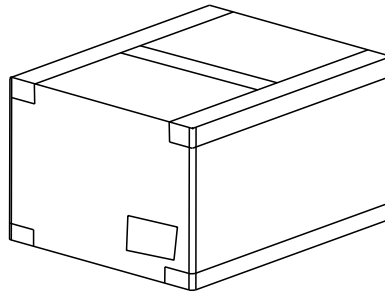
2271203-X



PLASTIC BAG



CARTON



NOTE:  
1. PACKAGING QUANTITY: SEE TABLE.

PAIRS PER BAG	BAGS PER CARTON	PAIRS PER CARTON
250 PCS	8	2000

THIS DRAWING IS A CONTROLLED DOCUMENT.		DWN	26DEC2019	<b>STE</b> TE Connectivity	
		CHK	26DEC2019		
		APVD	26DEC2019		
		NAME	MING SHI		
DIMENSIONS: mm		TOLERANCES UNLESS OTHERWISE SPECIFIED:		PRODUCT SPEC	
		0 PLC ±		APPLICATION SPEC	
		1 PLC ±10			
		2 PLC ±5.0		WEIGHT	-
		3 PLC ±		SIZE	A3
		4 PLC ±		CAGE CODE	00779
MATERIAL		ANGLES ±5°		DRAWING NO	C=2271203
		FINISH		RESTRICTED TO	-
		CUSTOMER DRAWING		SCALE	4:1
				SHEET	2 OF 2
				REV	D1