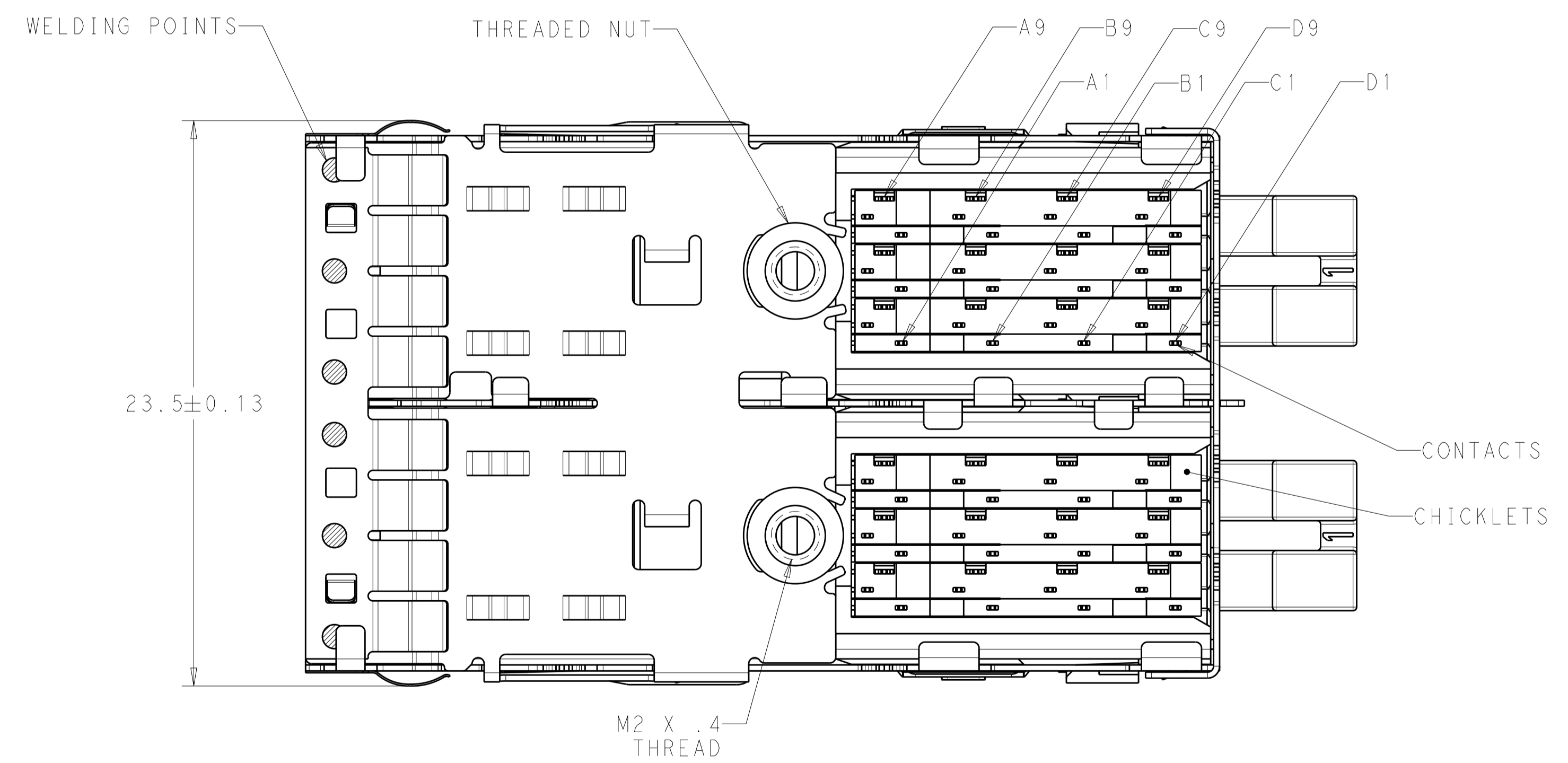
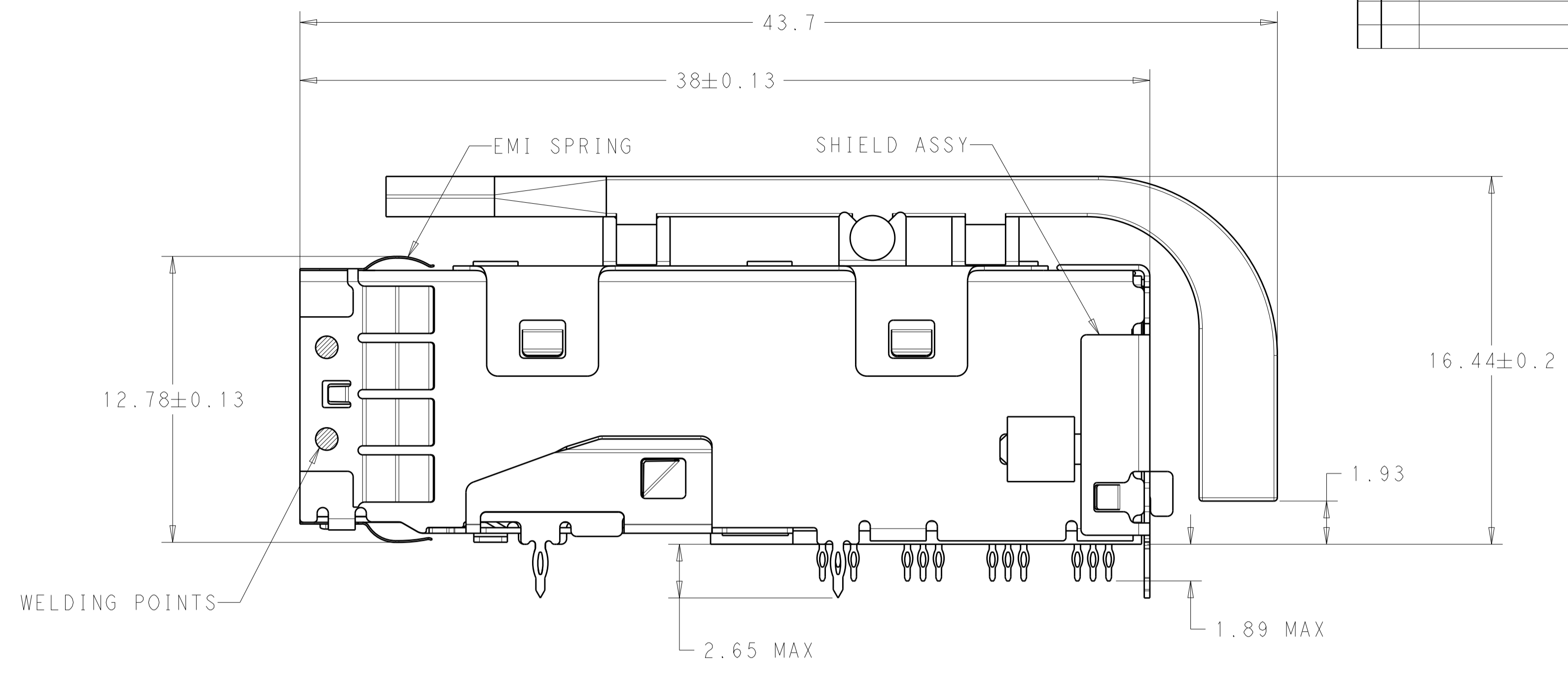
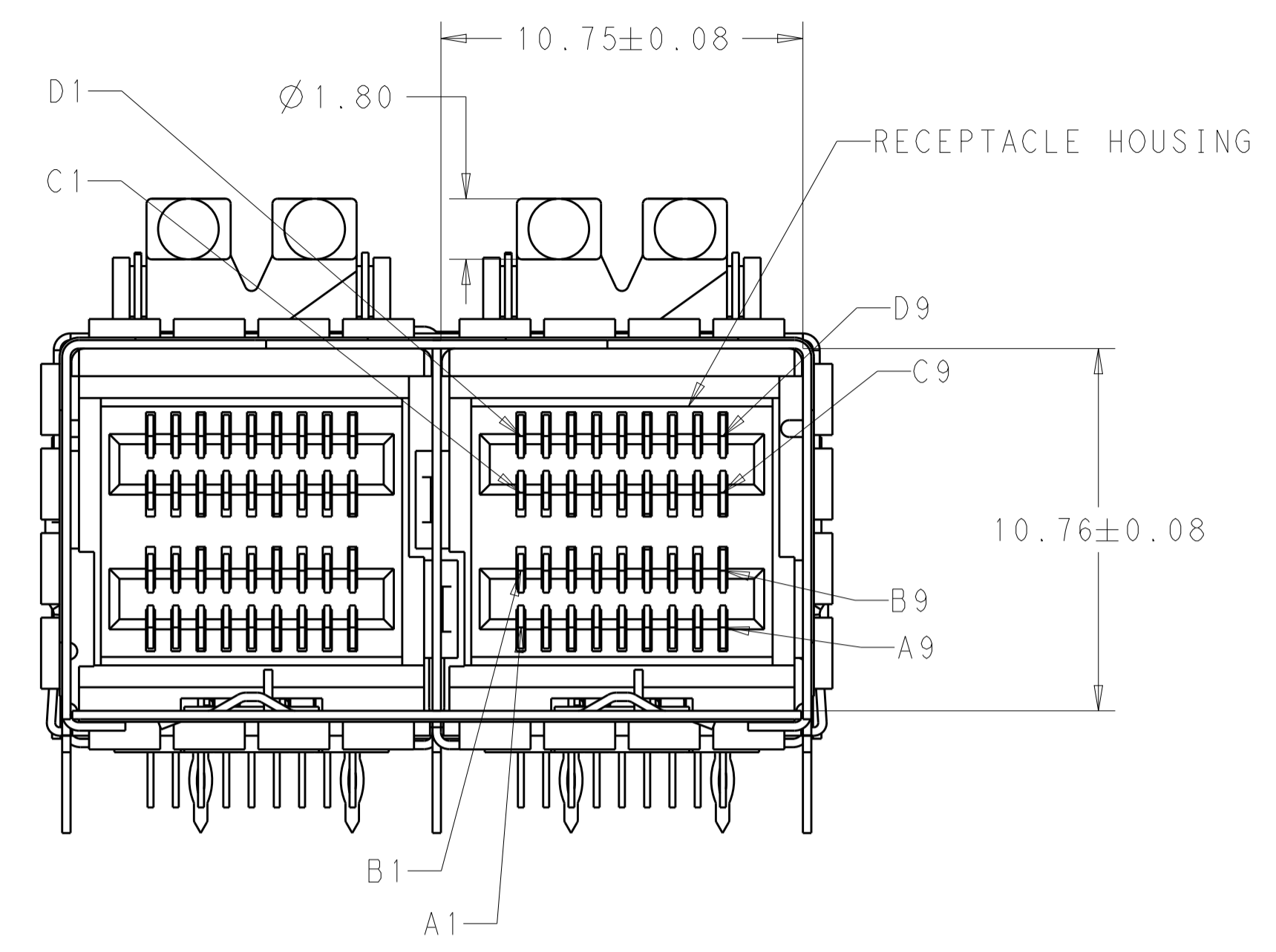


LOC		DIST		REVISIONS			
P	LTN	DESCRIPTION	DATE	DMN	APVD		
A		INITIAL RELEASE	21FEB2014	BM	DG		
B		REVISED PER ECO-15-013506	03MAY2016	JY	SH		



- MATERIALS**  
 RECEPTACLE HOUSING: LCP, BLACK, UL94V-0 RATED  
 SHIELD ASSY: NICKEL-SILVER COPPER ALLOY  
 CONTACTS: COPPER ALLOY  
 EMI SPRING: COPPER ALLOY  
 THREADED NUT: BRASS  
 CHICKLETS: LCP, BLACK, UL 94V-0 RATED  
 LIGHTPIPE CLIP: STAINLESS STEEL  
 LIGHTPIPE: POLYCARBONATE
- FINISH**  
 EMI SPRING: TIN PLATE OVER NICKEL PLATE. NON-PLATED EDGES PERMISSABLE  
 THREADED NUT: NICKEL PLATE
- CONTACT MATING AREA:** 0.76µm MIN GOLD IN CONTACT AREA, 1.75µm MIN TIN ON PCB TAILS. ALL OVER 1.27µm MIN NICKEL UNDERPLATE.  
 NEEDLE EYE: 1.25µm MIN TIN OVER 1.27µm MIN NICKEL.  
 REMINDER OF CONTACT: 0.76µm MIN NICKEL.
- THREAD LENGTH OF FASTENER = PCB THICKNESS+1.45 MAX
- THIS PRODUCT HAS NOT COMPLETED VALIDATION/QUALIFICATION TESTING
- RECOMMENDED TRACE KEEP OUT ZONE
- RECEPTACLE ASSEMBLY AND LIGHT PIPE ASSEMBLY ARE PACKAGED INDIVIDUALLY, THEN KIT PACKAGED.

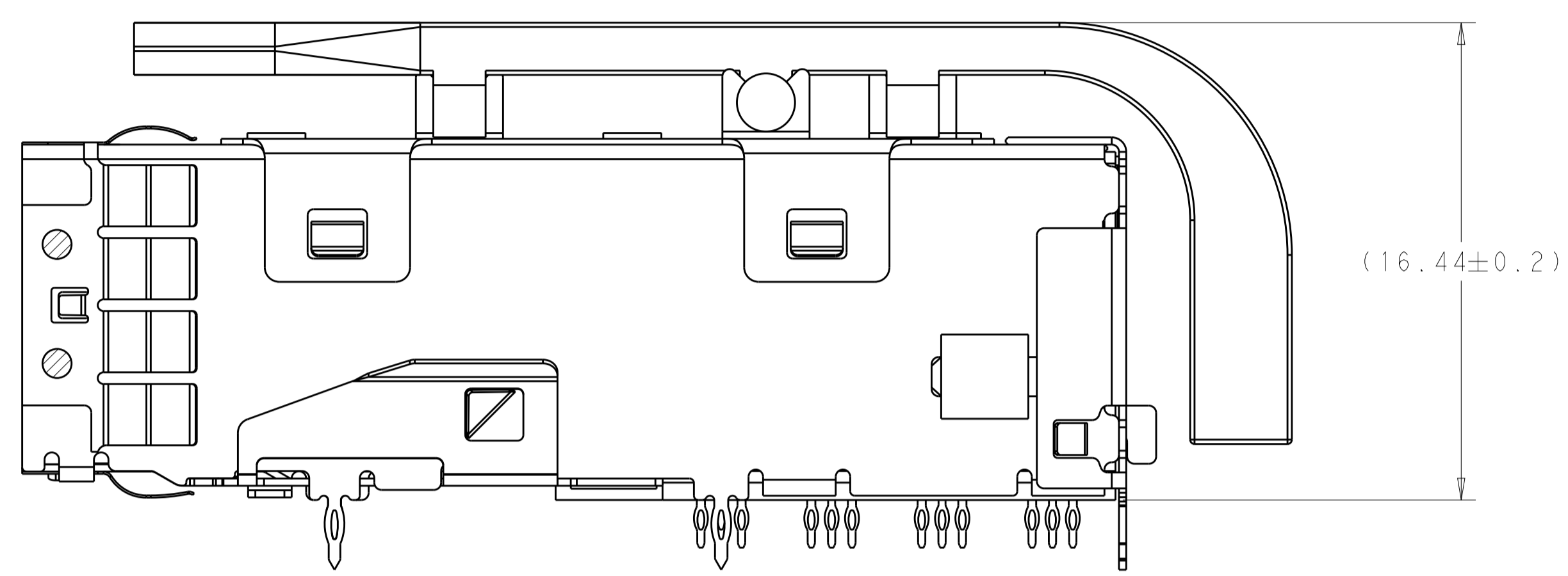
LOWER HEIGHT	14.53	2274684-2
STANDARD HEIGHT	15.54	2274684-1
LIGHT PIPE	H HOLE HEIGHT OF LP	PART NUMBER

THIS DRAWING IS A CONTROLLED DOCUMENT. DIMENSIONING AND TOLERANCING PER: ASME 11.4-2009

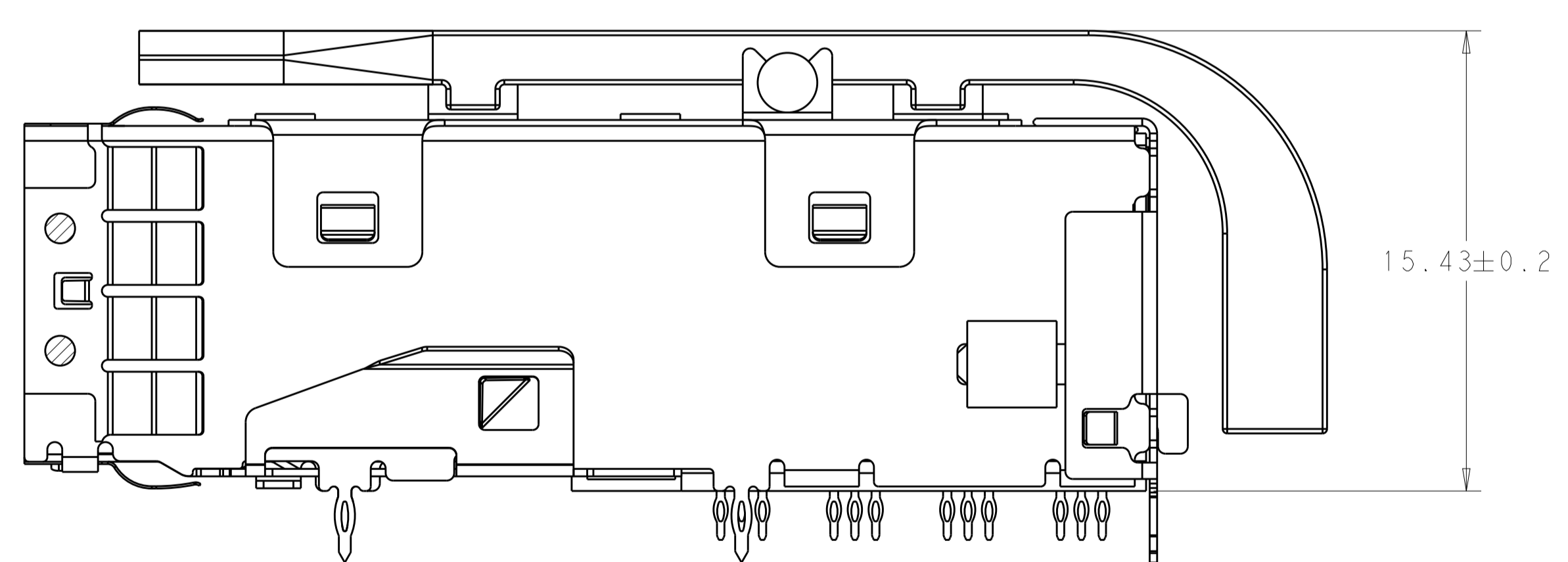
DMN: B. MATTHEWS 21FEB2014	CHK: D. GORENC 21FEB2014	APVD: D. GORENC 21FEB2014	NAME: RECEPTACLE ASSEMBLY, MINI-SAS HD, 2X W/ LIGHT PIPES
DIMENSIONS: mm		TOLERANCES UNLESS OTHERWISE SPECIFIED:	PRODUCT SPEC: 108-2462
0 PLC ±	1 PLC ±0.25	2 PLC ±0.13	APPLICATION SPEC: 114-13316
3 PLC ±	4 PLC ±	ANGLES ±	WEIGHT: -
MATERIAL: -	FINISH: -	CUSTOMER DRAWING	SCALE: 6:1 SHEET 1 OF 4 REV B

STE TE Connectivity  
 A100779 ©=2274684


LOC	DIST	REVISIONS					
		P.	LTN	DESCRIPTION	DATE	DWN	APVD
		-		SEE SHEET 1	-	-	-



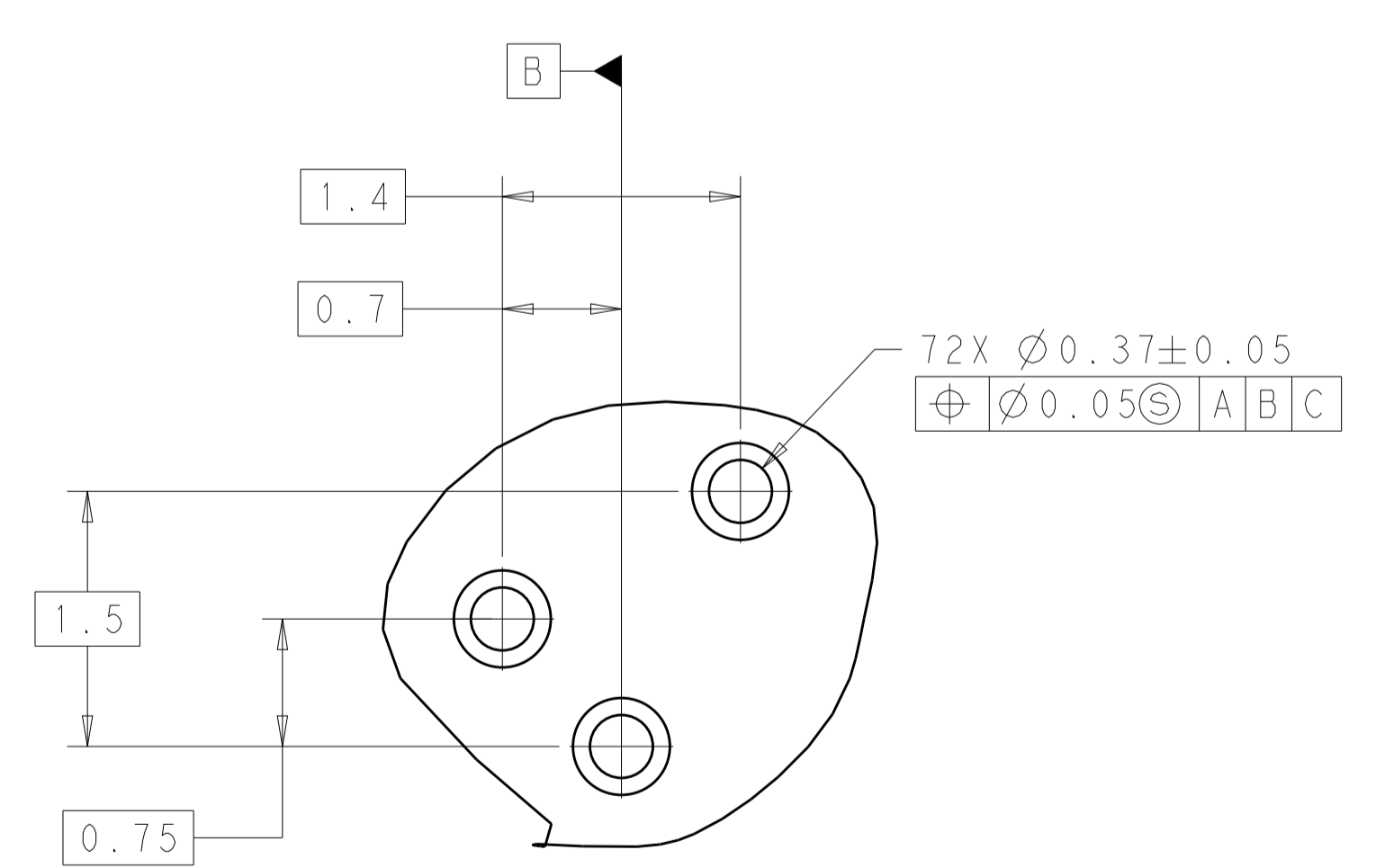
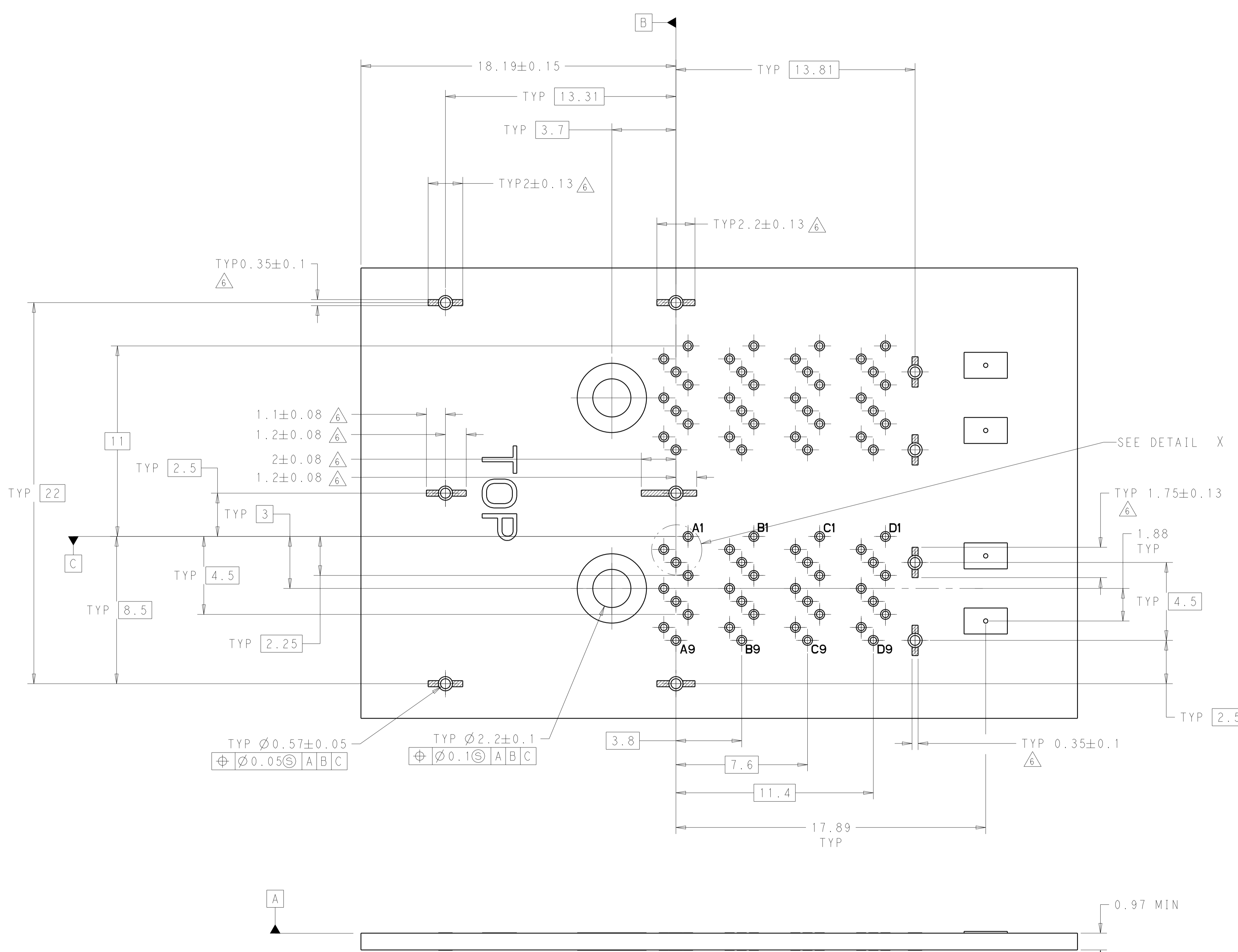
2274684-1  
 SCALE 6:1



2274684-2  
 UNSPECIFIED DIMENSIONS ARE SAME AS 2274684-1  
 SCALE 6:1

THIS DRAWING IS A CONTROLLED DOCUMENT.		DWN B. MATTHEWS 21FEB2014	 TE Connectivity
		CHK D. GORENC 21FEB2014	
DIMENSIONS:		APVD D. GORENC 21FEB2014	NAME RECEPTACLE ASSEMBLY, MINI-SAS HD, 2X W/ LIGHT PIPES
mm	TOLERANCES UNLESS OTHERWISE SPECIFIED:	PRODUCT SPEC	RESTRICTED TO
	0 PLC ±	108-2462	SIZE CAGE CODE DRAWING NO
	1 PLC ±0.25	APPLICATION SPEC	A100779C=2274684
	2 PLC ±0.13	114-13316	WEIGHT
	3 PLC ±		CUSTOMER DRAWING
	4 PLC ±		SCALE 6:1 SHEET 2 OF 4 REV B
	ANGLES ±		
MATERIAL	FINISH		

REVISONS		DATE	OWN	APVD
P. LTR	DESCRIPTION			
-	SEE SHEET 1	-	-	-

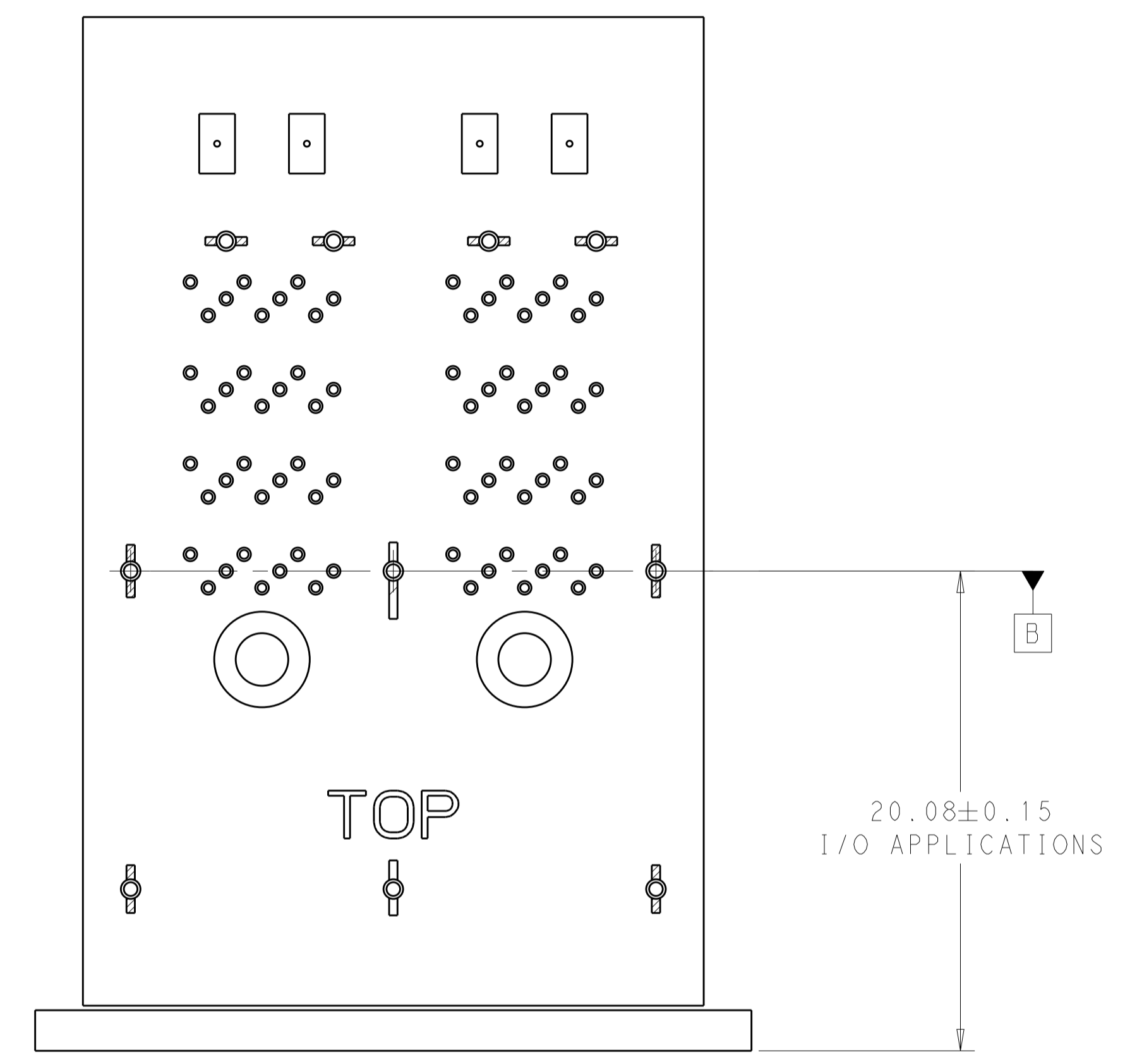
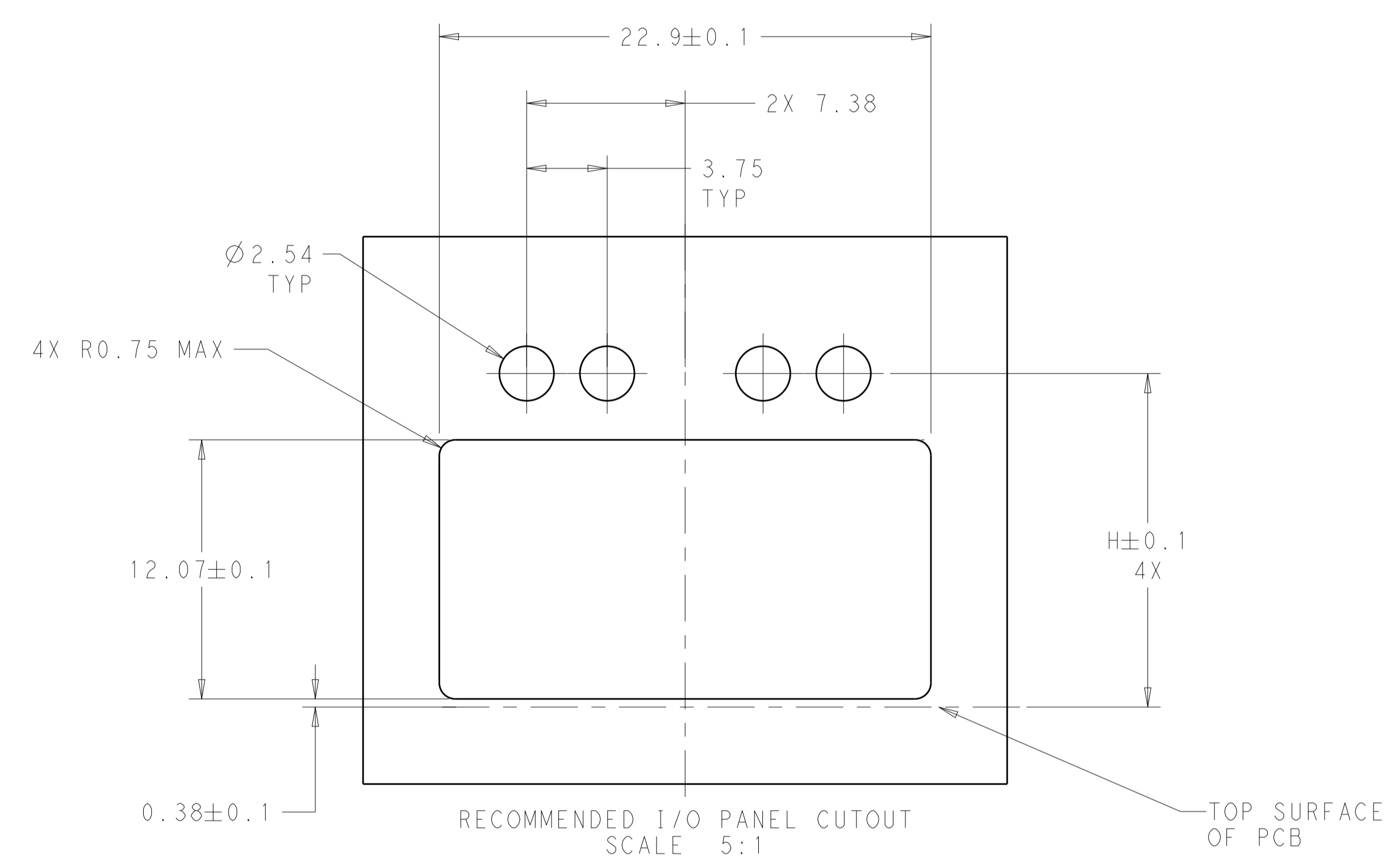


DETAIL X  
SCALE 25:1

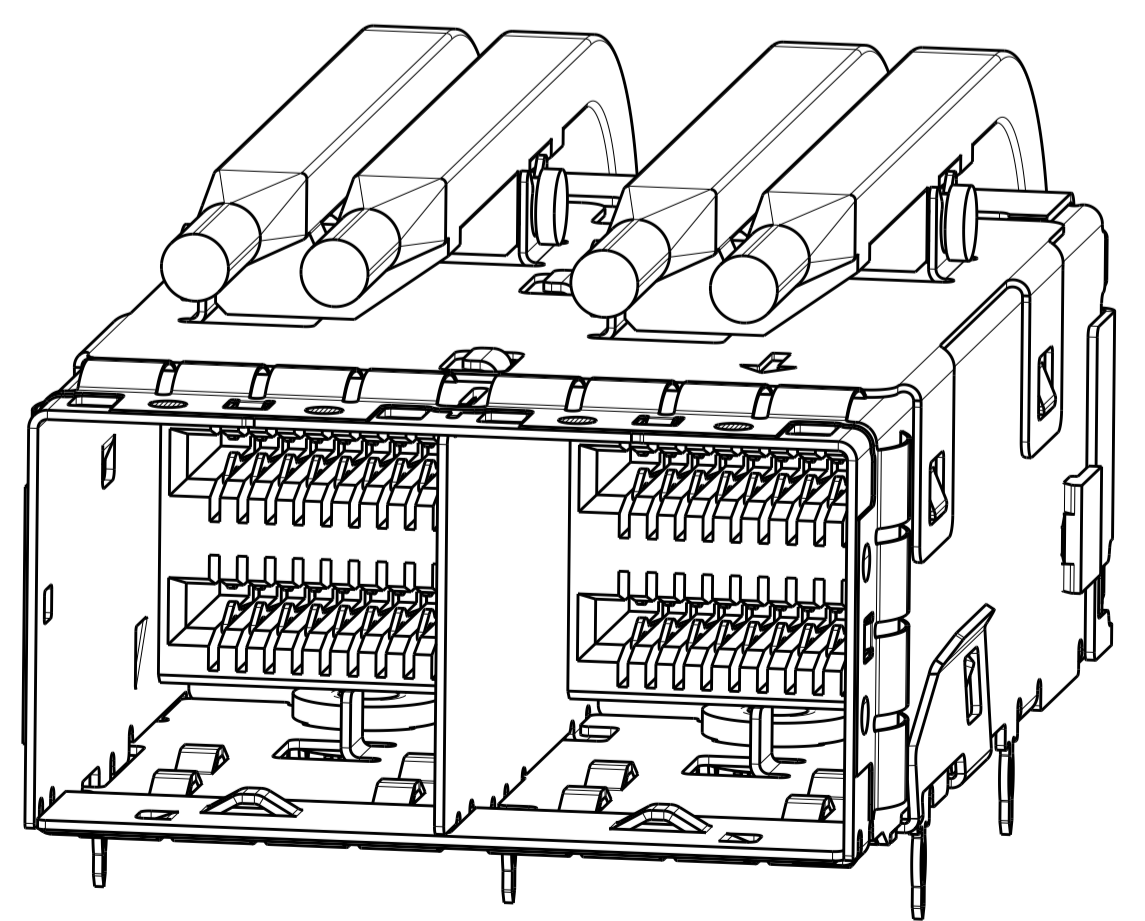
RECOMMENDED PCB LAYOUT

THIS DRAWING IS A CONTROLLED DOCUMENT. DIMENSIONING AND TOLERANCING PER ASME Y14.5M-2009		OWN: B. MATTHEWS 2/FEB/2014 CHK: D. GORENC 2/FEB/2014 APVD: D. GORENC 2/FEB/2014	TE Connectivity	
DIMENSIONS: mm		PRODUCT SPEC: 108-2462	NAME: RECEPTACLE ASSEMBLY, MINI-SAS HD, 2X W/ LIGHT PIPES	
TOLERANCES UNLESS OTHERWISE SPECIFIED:		APPLICATION SPEC: 114-13316	SIZE: A1	
0 PLC ±	1 PLC ±0.25	WEIGHT: -	RESTRICTED TO: -	
2 PLC ±0.13	3 PLC ±	CAGE CODE: -	SCALE: 5:1	
4 PLC ±	ANGLES ±	CUSTOMER DRAWING	SHEET 3 OF 4	
MATERIAL: -		DRAWING NO: 2274684		REV: B

LOC	DIST	REVISIONS			
P	LTH	DESCRIPTION	DATE	DWN	APVD
-	-	SEE SHEET 1	-	-	-



PANEL/PCB ASSEMBLY  
SCALE 5:1



THIS DRAWING IS A CONTROLLED DOCUMENT. DIMENSIONING AND TOLERANCING PER ASME Y14.5M-2009.		DWN: B. MATTHEWS 21FEB2014 CHK: D. GORENC 21FEB2014	TE Connectivity													
DIMENSIONS: mm		APVD: D. GORENC 21FEB2014			NAME: RECEPTACLE ASSEMBLY, MINI-SAS HD, 2X W/ LIGHT PIPES											
TOLERANCES UNLESS OTHERWISE SPECIFIED:		PRODUCT SPEC: 108-2462	APPLICATION SPEC: 114-13316	RESTRICTED TO: -												
<table border="1"> <tr> <td>0 PLC</td> <td>±</td> </tr> <tr> <td>1 PLC</td> <td>±0.25</td> </tr> <tr> <td>2 PLC</td> <td>±0.13</td> </tr> <tr> <td>3 PLC</td> <td>±</td> </tr> <tr> <td>4 PLC</td> <td>±</td> </tr> <tr> <td>ANGLES</td> <td>±</td> </tr> </table>		0 PLC	±	1 PLC	±0.25	2 PLC	±0.13	3 PLC	±	4 PLC	±	ANGLES	±	SIZE: A100779	DRAWING NO: C=2274684	SCALE: 5:1
0 PLC	±															
1 PLC	±0.25															
2 PLC	±0.13															
3 PLC	±															
4 PLC	±															
ANGLES	±															
MATERIAL: -		WEIGHT: -	CUSTOMER DRAWING	SHEET 4 OF 4 REV B												