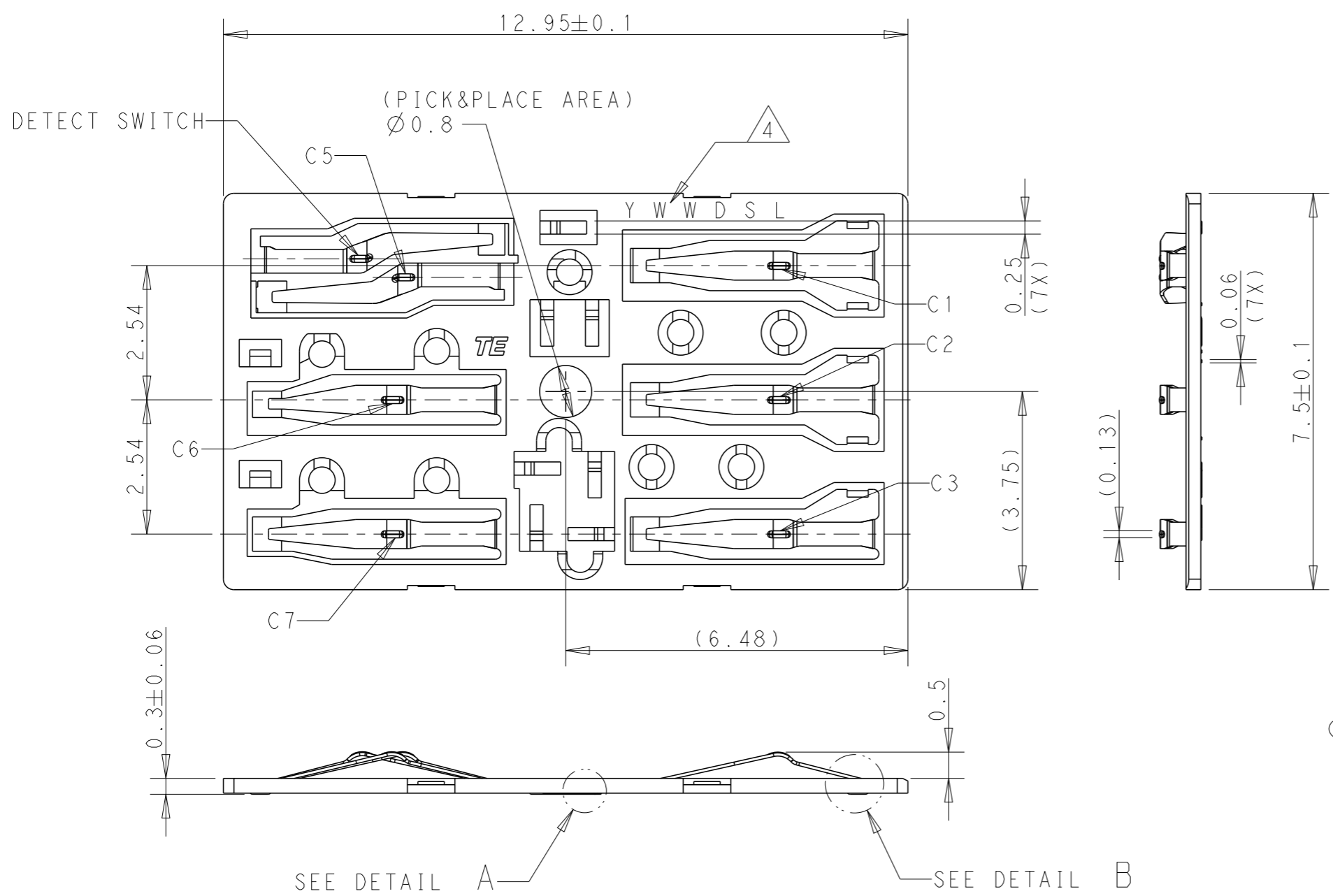
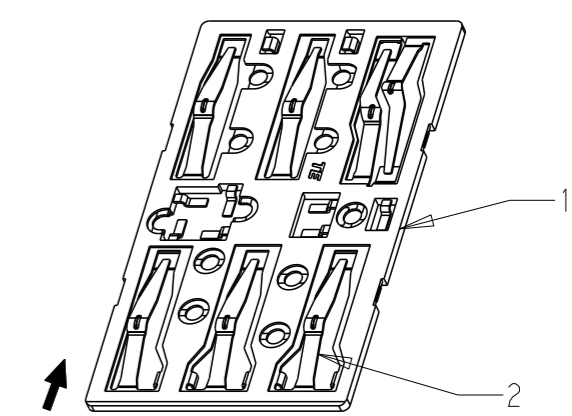


THIS DRAWING IS UNPUBLISHED. RELEASED FOR PUBLICATION 20  
 © COPYRIGHT 20 BY - ALL RIGHTS RESERVED.

REVISIONS					
P	LTR	DESCRIPTION	DATE	DWN	APVD
	B	REVISED PER ECR-15-014913	12OCT2015	R.Z.	C.W.
	B1	REVISED PER ECR-16-004567	16JUN2016	R.Z.	C.W.
	B2	REVISED PER ECR-17-011288	03AUG2017	R.Z.	S.L.

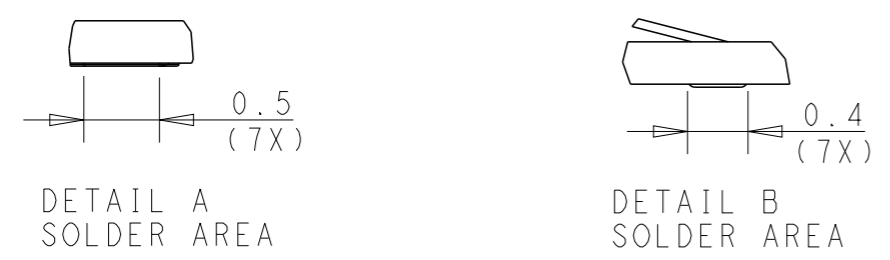


- NOTES:
- 1. HOUSING MATERIAL: THERMO PLASTIC RESIN.
  - 2. CONTACT MATERIAL: COPPER ALLOY.
  - 2. FINISH :  
 50u" MIN. NICKEL UNDERPLATING ALL OVER,  
 GOLD PLATING 2u" MIN. ON CONTACT AREA  
 12u" MIN. PD/Ni ON CONTACT AREA  
 GOLD PLATING 1u" MIN. ON SOLDER AREA
  - 3. COPLANARITY: 0.08MAX. (BEFORE IR)
  - 4. DATE CODE:  
 YW WDSL (YEAR, WEEK, DAY, SHIFT, LINE)
  - 5. ASSISTANT PAD FOR CONTACT



CARD INSERTION DIRECTION

2286237-1	2	CONTACT	2
	1	HOUSING	1
P/N	ITEM	COMPONENT	MATERIAL/FINISH

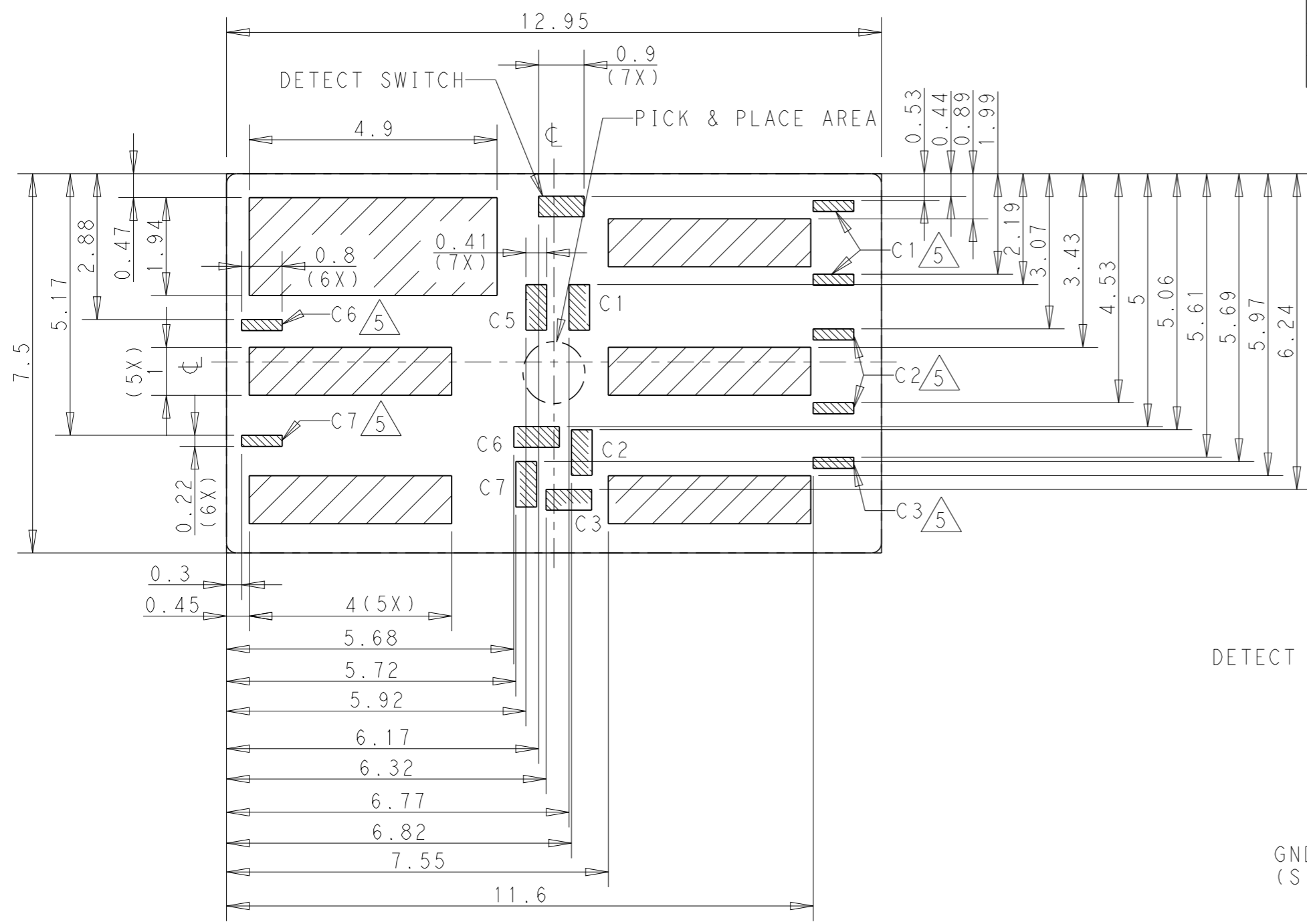


THIS DRAWING IS A CONTROLLED DOCUMENT.

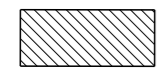
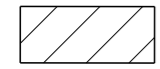
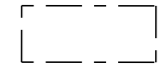
DIMENSIONS:	TOLERANCES UNLESS OTHERWISE SPECIFIED:
mm	0 PLC $\pm 0.1$
	1 PLC $\pm 0.1$
	2 PLC $\pm 0.05$
	3 PLC $\pm$
	4 PLC $\pm$
	ANGLES $\pm 3^\circ$
MATERIAL	FINISH
-	-

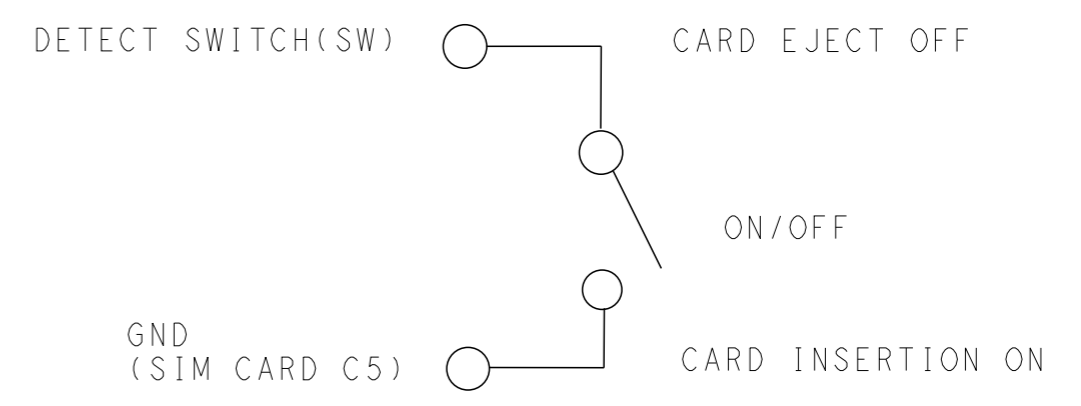
DWN	E.F.	11-Mar-15	TE Connectivity		
CHK	S.L.	11-Mar-15			
APVD	C.W.	11-Mar-15			
PRODUCT SPEC	108-115089				
APPLICATION SPEC	-		NAME ANTI-BUCKLING BLOCK SIM CONNECTOR -		
WEIGHT	0.048g	SIZE	A3	CAGE CODE	00779
CUSTOMER DRAWING	SCALE		DRAWING NO		RESTRICTED TO
	-		C-2286237		-
	SHEET		1 OF 4		REV B2

REVISIONS					
P	LTR	DESCRIPTION	DATE	DWN	APVD
-	-	SEE SHEET 1	-	-	-




REFERENCE P.C. BOARD LAYOUT  
 (P.C.B. TOLERANCE: ±0.05)

-  SOLDER AREA
-  NO WIRE AREA
-  CONNECTOR BOUNDARY



CIRCUIT DRAWING OF SWITCH

THIS DRAWING IS A CONTROLLED DOCUMENT.		DWN E.F.	11-Mar-15	 TE Connectivity	
DIMENSIONS: mm		CHK S.L.	11-Mar-15		
TOLERANCES UNLESS OTHERWISE SPECIFIED: 0 PLC ±- 1 PLC ±0.3 2 PLC ±0.1 3 PLC ±- 4 PLC ±- ANGLES ±3°		APVD C.W.	11-Mar-15		
MATERIAL		PRODUCT SPEC 108-115089		NAME ANTI-BUCKLING BLOCK SIM CONNECTOR	
FINISH		APPLICATION SPEC -		SIZE A3	CAGE CODE 00779
		WEIGHT 0.048g		DRAWING NO C-2286237	
CUSTOMER DRAWING				SCALE -	SHEET 2 OF 4
				RESTRICTED TO -	
				REV B2	

4

3

2

1

THIS DRAWING IS UNPUBLISHED.

RELEASED FOR PUBLICATION

20

© COPYRIGHT 20

BY -

ALL RIGHTS RESERVED.

REVISIONS

P	LTR	DESCRIPTION	DATE	DWN	APVD
-	-	SEE SHEET 1	-	-	-

BLOCK CONNECTOR

MICRO-SIM CARD

DETECT SWITCH

C5

C6

C7

C1

C2

C3

TE Connectivity

(0.82)

(0.82)

REFERENCE INSERTION SITUATION  
MICRO-SIM CARD

NANO-SIM CARD

BLOCK CONNECTOR

DETECT SWITCH

C5

C6

C7

C1

C2

C3

TE Connectivity

(0.6)

(0.33)

REFERENCE INSERTION SITUATION  
NANO-SIM CARD

THIS DRAWING IS A CONTROLLED DOCUMENT.

DWN E.F. 11-Mar-15

CHK S.L. 11-Mar-15

APVD C.W. 11-Mar-15

PRODUCT SPEC  
108-115089

APPLICATION SPEC

WEIGHT 0.048g

CUSTOMER DRAWING

NAME  
ANTI-BUCKLING BLOCK SIM  
CONNECTOR

SIZE CAGE CODE DRAWING NO

A300779 C-2286237

SCALE -

SHEET 3 OF 4

RESTRICTED TO

REV B2

DIMENSIONS:

mm

TOLERANCES UNLESS  
OTHERWISE SPECIFIED:

0 PLC	±-
1 PLC	±0.3
2 PLC	±0.1
3 PLC	±-
4 PLC	±-
ANGLES	±3°

MATERIAL

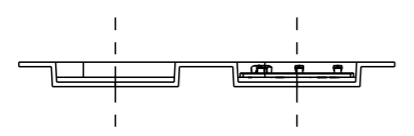
FINISH

1470-19 (3/13)

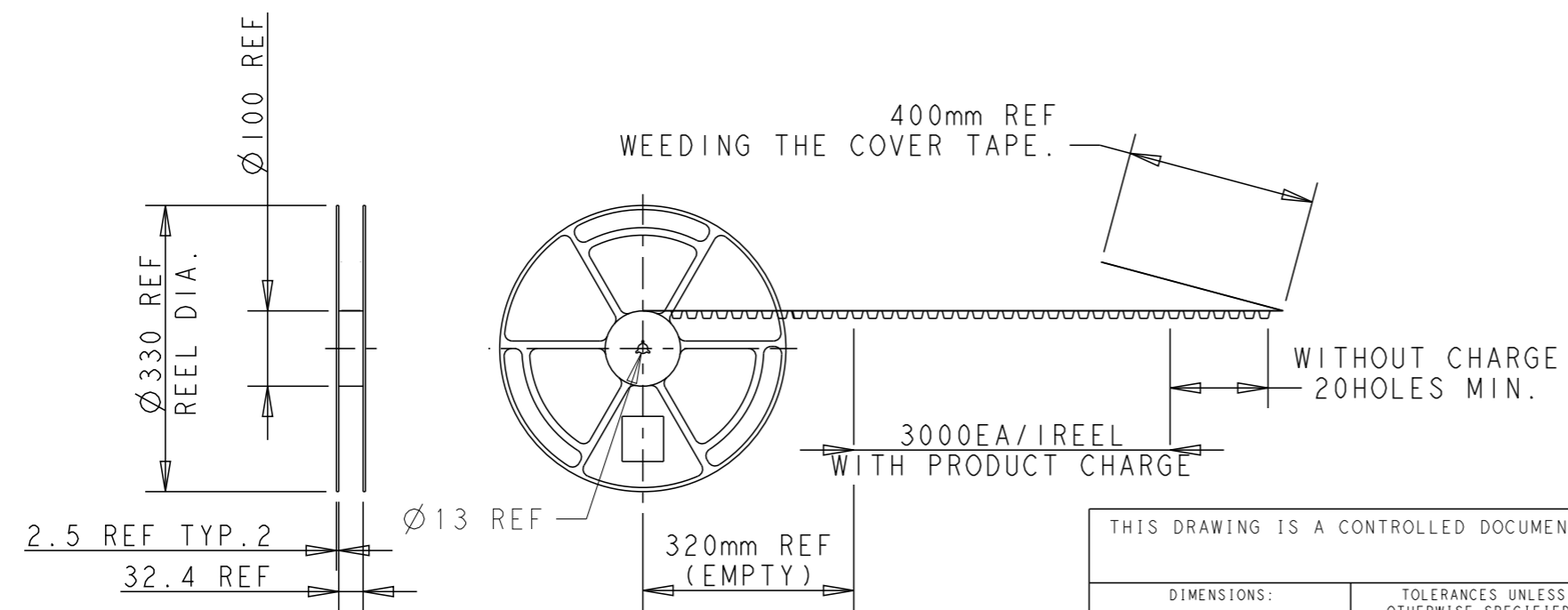
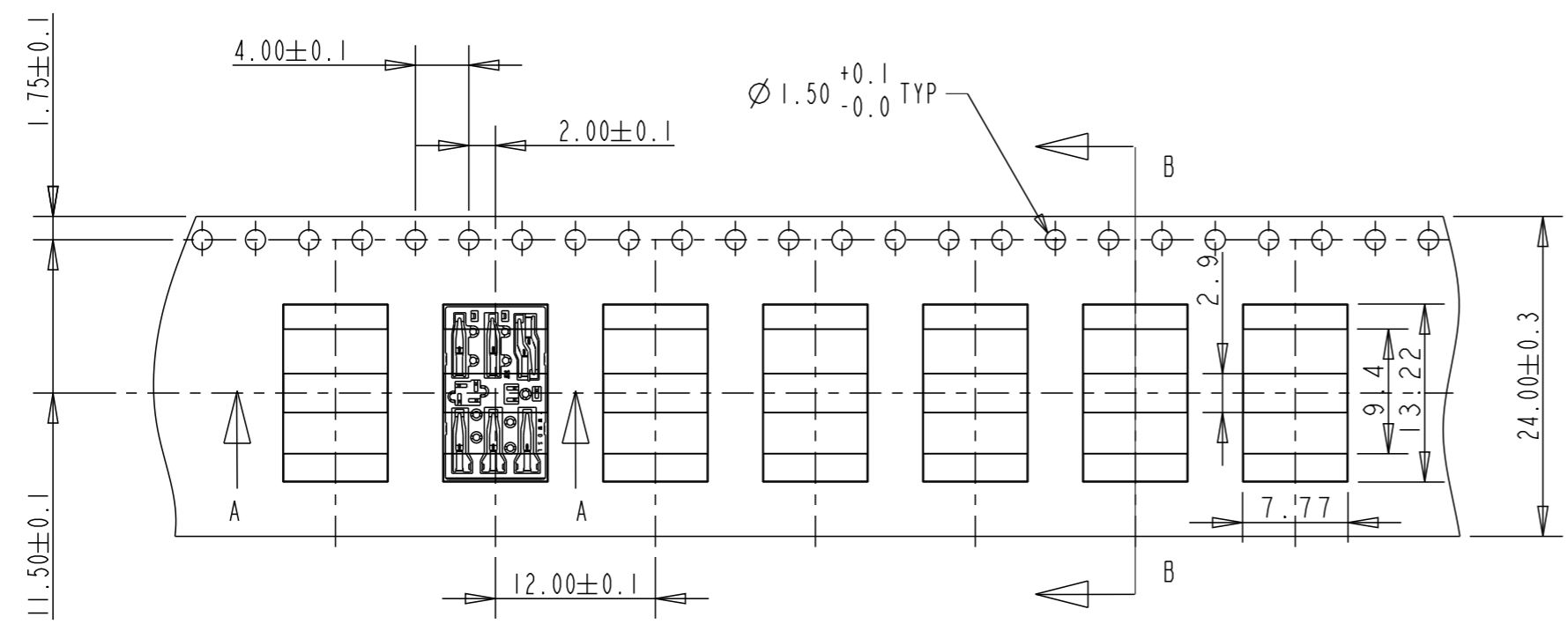
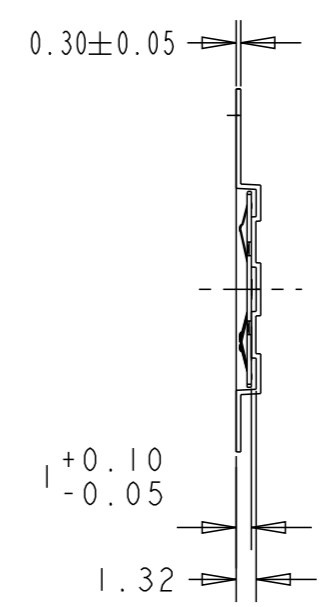
THIS DRAWING IS UNPUBLISHED. RELEASED FOR PUBLICATION 20  
 © COPYRIGHT 20 BY - ALL RIGHTS RESERVED.

REVISIONS					
P	LTR	DESCRIPTION	DATE	DWN	APVD
-	-	SEE SHEET 1	-	-	-

SECTION A-A



SECTION B-B



THIS DRAWING IS A CONTROLLED DOCUMENT.		DWN E.F. 11-Mar-15	TE Connectivity	
DIMENSIONS: mm		CHK S.L. 11-Mar-15		
TOLERANCES UNLESS OTHERWISE SPECIFIED:		APVD C.W. 11-Mar-15	NAME ANTI-BUCKLING BLOCK SIM CONNECTOR	
0 PLC ±-		PRODUCT SPEC 108-115089	SIZE CAGE CODE DRAWING NO RESTRICTED TO	
1 PLC ±0.3		APPLICATION SPEC -	A300779 C-2286237	
2 PLC ±0.1		WEIGHT 0.048g	SCALE 4:1 SHEET 4 OF 4 REV B2	
3 PLC ±-		CUSTOMER DRAWING		
4 PLC ±-				
ANGLES ±3°				
FINISH -				