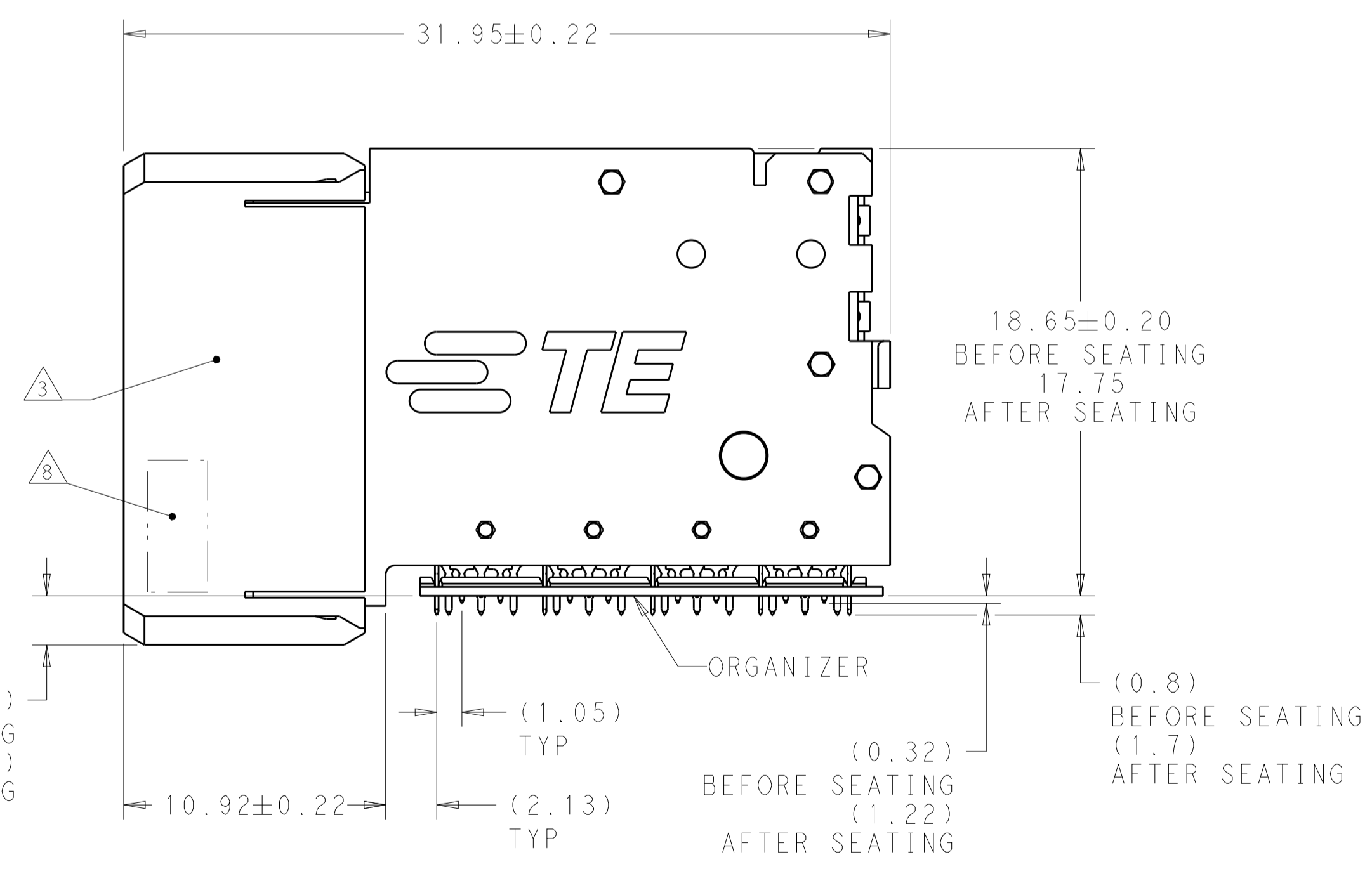
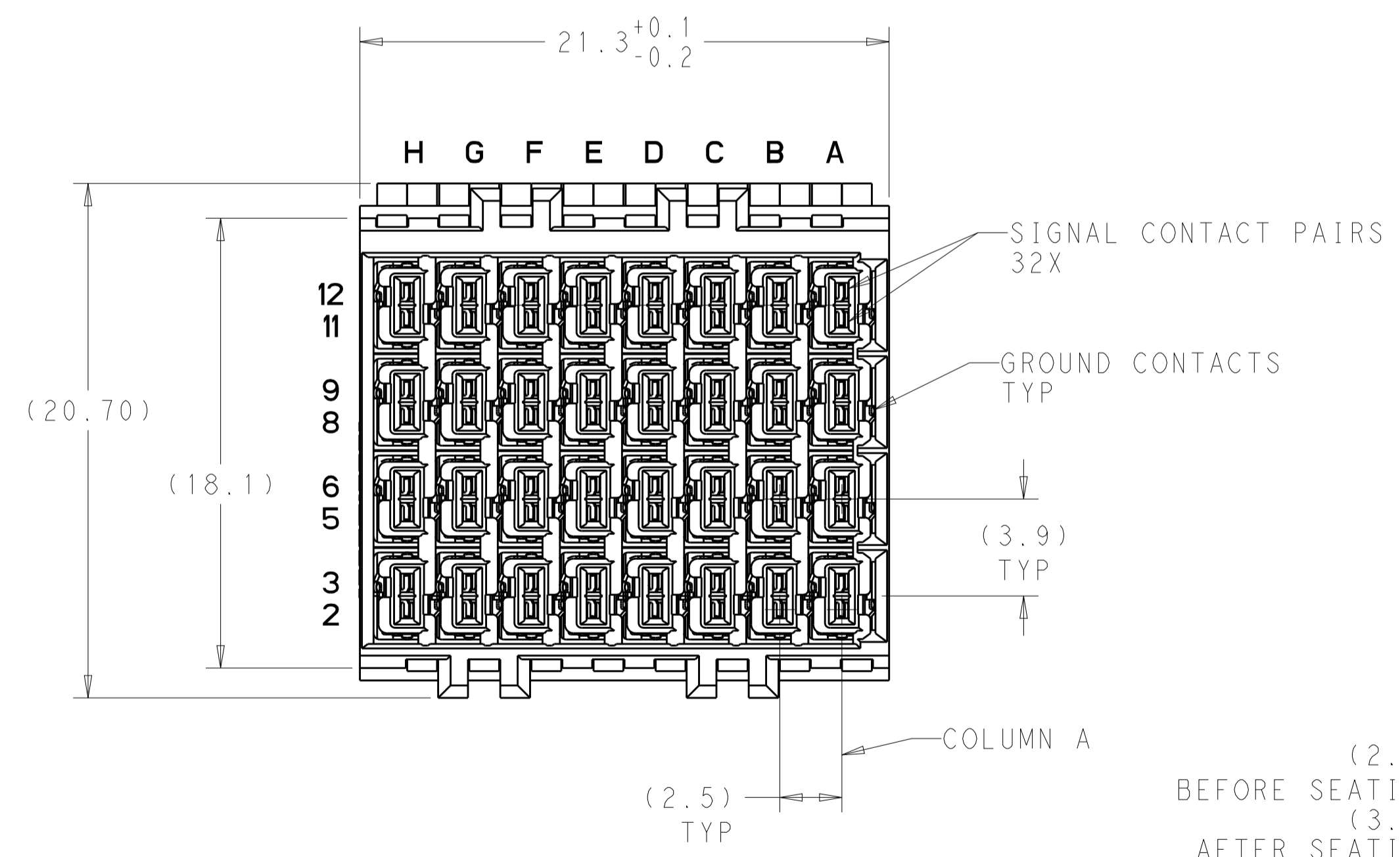
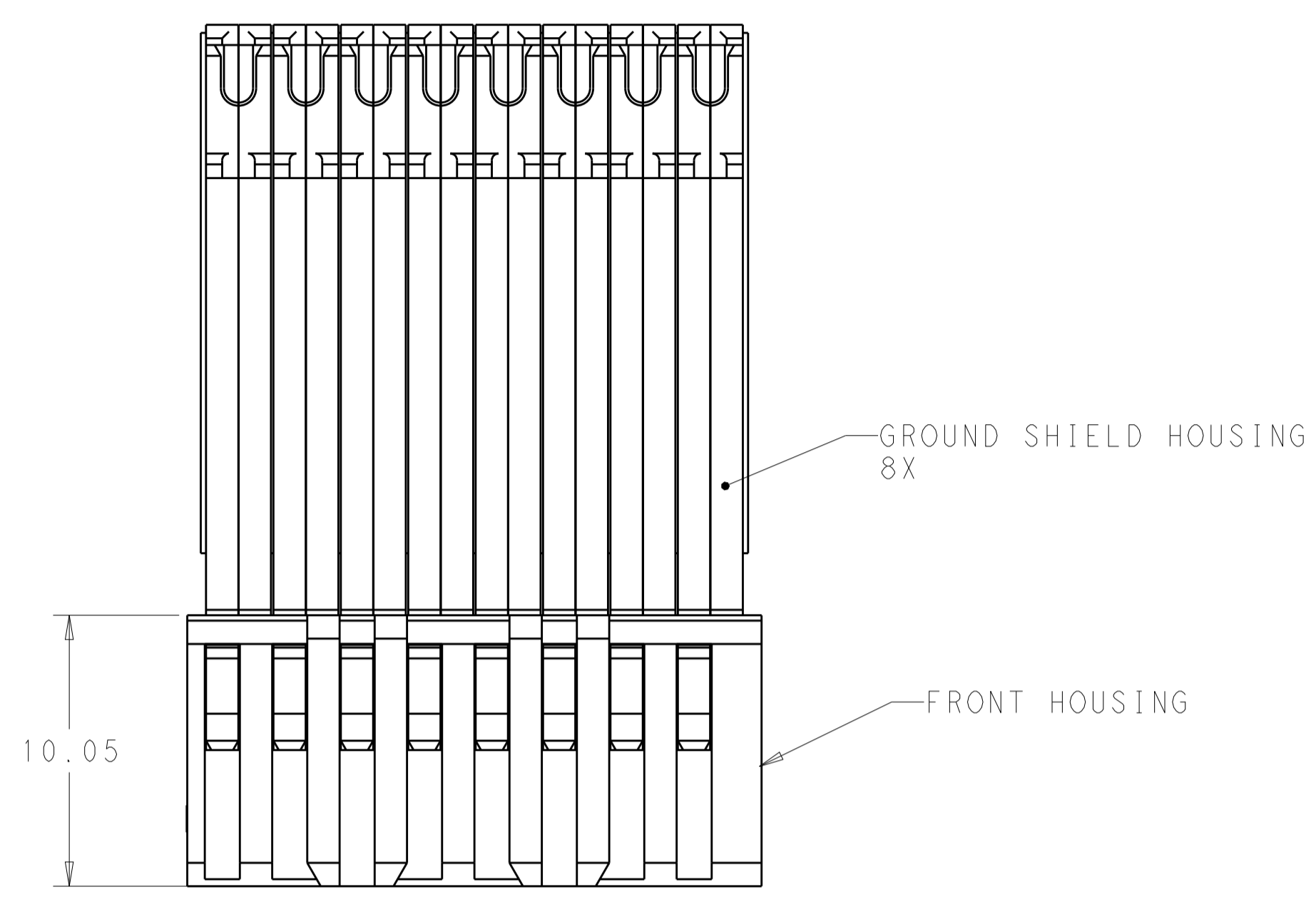


LOC	DIST	REV	DATE	BY	CHKD	APVD
GP	00	A	09MAY2016	Y. K.	D. T.	

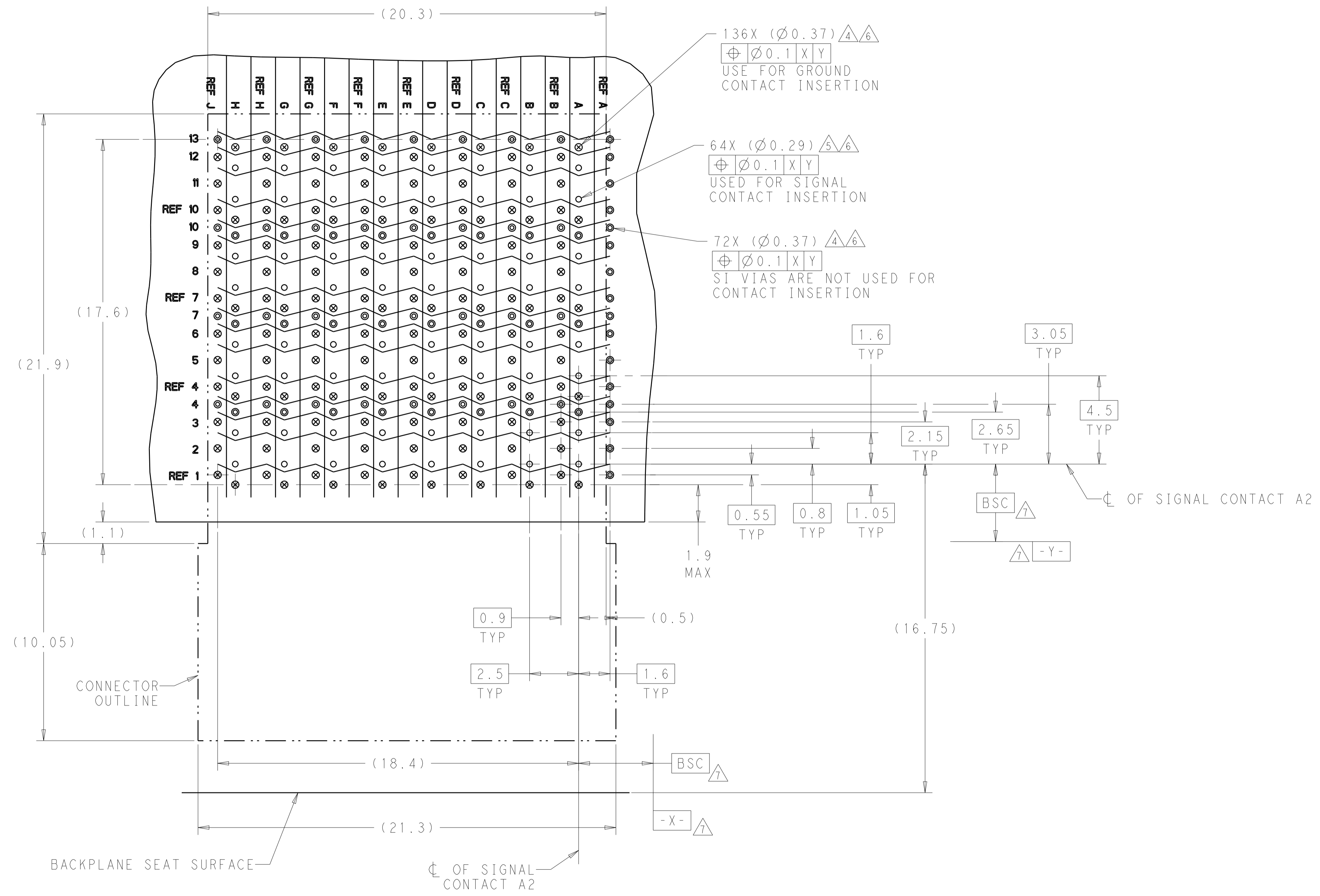


- 1 CONTACTS - COPPER ALLOY, HOUSING AND ORGANIZER - THERMOPLASTIC, UL94 V-O, BLACK
- 2 CONFORMS TO REQUIREMENTS OF TE PRODUCT SPECIFICATION 108-32021, BASED ON TELCORDIA GR-1217-CORE FOR SYSTEM QUALITY LEVEL III APPLICATIONS IN CONTROLLED ENVIRONMENTS (CENTRAL OFFICE).
- 3 CONNECTOR MARKED ON EITHER SIDE OF HOUSING WITH PART NUMBER AND DATE CODE IN APPROXIMATE AREA SHOWN.
- 4 PLATED THRU HOLE REQUIREMENTS:
FINISHED HOLE = $\varnothing 0.37 \pm 0.04$
DRILLED HOLE = $\varnothing 0.450 \pm 0.025$
COPPER THICKNESS = 0.025 MINIMUM
IMMERSION TIN IF APPLICABLE = 0.0006-0.0011
- 5 PLATED THRU HOLE REQUIREMENTS:
FINISHED HOLE = $\varnothing 0.29 \pm 0.04$
DRILLED HOLE = $\varnothing 0.368 \pm 0.025$ (#79 DRILL)
COPPER THICKNESS = 0.025 MINIMUM
IMMERSION TIN IF APPLICABLE = 0.0006-0.0011
- 6 SIGNAL HOLES:
PLATED THRU HOLE DIMENSIONS APPLY TO THE TOP 1.00 OF THE PCB THICKNESS FROM THE CONNECTOR MOUNTING SIDE.
GROUND HOLES:
PLATED THRU HOLE DIMENSIONS APPLY TO THE TOP 1.25 OF THE PCB THICKNESS FROM THE CONNECTOR MOUNTING SIDE.
- 7 DATUMS AND BASIC DIMENSIONS ESTABLISHED BY CUSTOMER.
- 8 DATAMATRIX BARCODE MARKING IN THIS AREA.

TIN	2287288-1
PRESS FIT TAIL PLATING	PART NO

THIS DRAWING IS A CONTROLLED DOCUMENT.		OWN: Y. KODAIRA 09MAY2016		PRELIMINARY RECEPTACLE ASSEMBLY, RIGHT ANGLE, 4 PAIR 8 COLUMN, 85 OHM PAIR-IN-COLUMN, STRADA WHISPER
DIMENSIONS: mm		CHK: D. TROUT 09MAY2016		
TOLERANCES UNLESS OTHERWISE SPECIFIED:		APVD: D. TROUT 09MAY2016	PRODUCT SPEC: 2	
0 PLC ± 1 PLC ± 2 PLC ±0.12 3 PLC ± 4 PLC ± ANGLES ±		APPLICATION SPEC:		SIZE: A1
MATERIAL: SEE TABLE 1		WEIGHT:		CAGE CODE: C=2287288
FINISH: SEE TABLE 2		CUSTOMER DRAWING		SCALE: 5:1 SHEET 1 OF 2 REV A

LOC	DIST	REVISIONS					
GP	00	P	LTN	DESCRIPTION	DATE	DWN	APVD
		-		SEE SHEET 1			



PCB LAYOUT
 COMPONENT SIDE
 SCALE 8:1

- = SIGNAL
- ⊗ = GROUND
- ⊙ = SIGNAL INTEGRITY VIA TO GROUND

THIS DRAWING IS A CONTROLLED DOCUMENT.		DWN	TE Connectivity	
DIMENSIONS:		CHK	NAME	
mm	TOLERANCES UNLESS OTHERWISE SPECIFIED:	APVD	RECEPTACLE ASSEMBLY, RIGHT ANGLE, 4 PAIR 8 COLUMN, 85 OHM PAIR-IN-COLUMN, STRADA WHISPER	
0 PLC	±	PRODUCT SPEC	SIZE CAGE CODE DRAWING NO RESTRICTED TO	
1 PLC	±0.12	APPLICATION SPEC	A100779C=2287288	
2 PLC	±	WEIGHT	SCALE NTS SHEET 2 OF 2 REV A	
3 PLC	±	CUSTOMER DRAWING		
4 PLC	±			
ANGLES	±			
MATERIAL	FINISH			