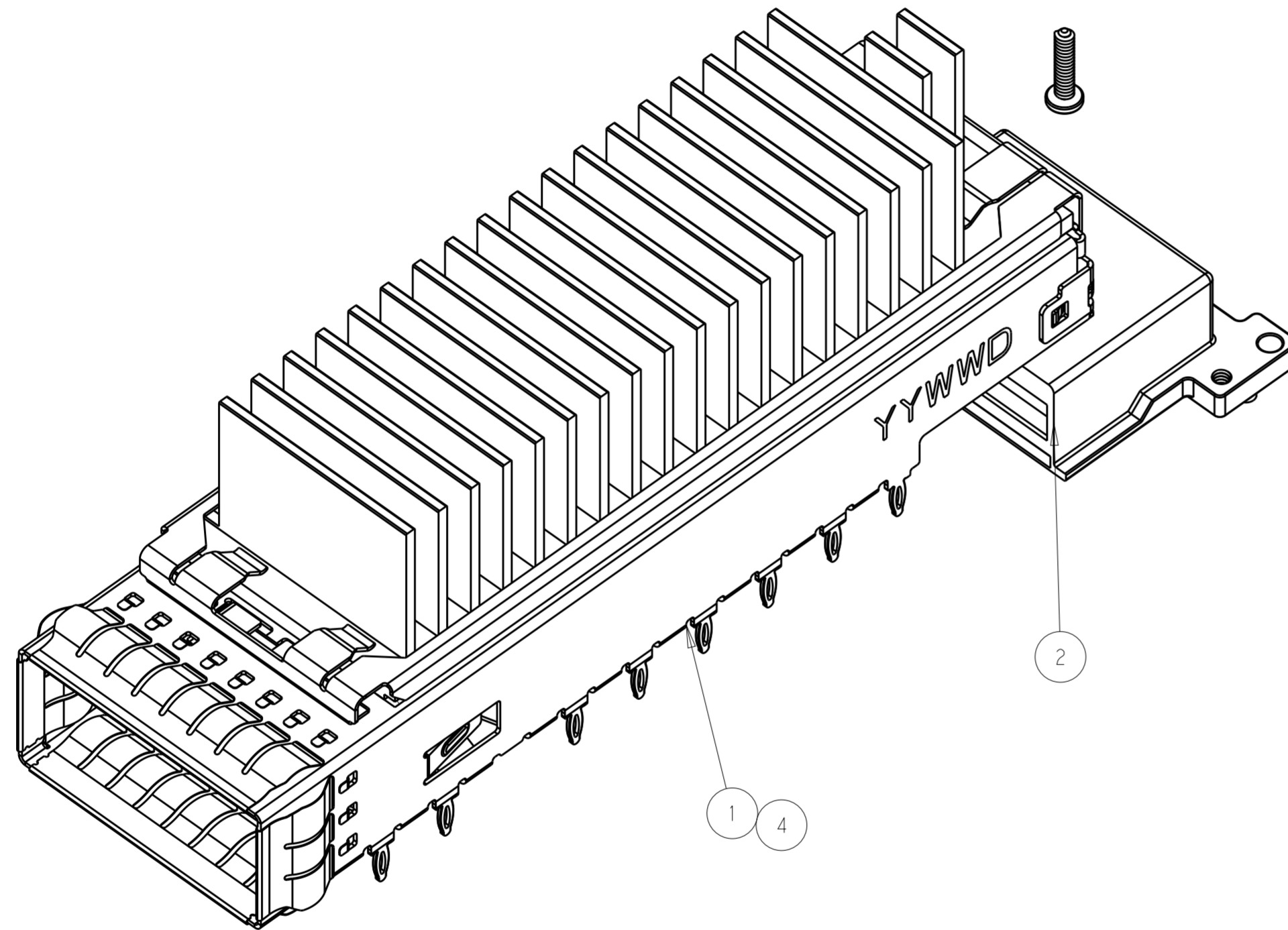


THIS DRAWING IS UNPUBLISHED. RELEASED FOR PUBLICATION 20
 © COPYRIGHT 20 BY - ALL RIGHTS RESERVED.

REVISIONS					
P	LTR	DESCRIPTION	DATE	DWN	APVD
1		PRELIMINARY DRAWING	16JUN2015	AD	SH
2		ADD NEW DASH NUMBER	19JUN2015	AD	SH
4		REVISE BOM	25JUN2015	AD	SH
8		ADDED DASH NUMBER 2288226-4	06FEB2017	TX	SH



1. MATERIAL : CAGE : 0.3MM THICK NICKEL SILVER ALLOY;
 EMI SPRING: COPPER ALLOY;
 HEAT SINK CLIP: STAINLESS STEEL;
 HEAT SINK: ALUMINUM ALLOY;
 RECEPTACLE COVER: ZINC ALLOY;

2. FINISH: EMI SPRING -1.27um NICKEL PLATING OVER ALL;
 HEAT SINK: BLACK ANODIZED COATING;
 RECEPTACLE COVER: 1.27um MIN NICKEL PLATING OVER COPPER PLATING;
 HEAT SINK CLIP: PASSIVATE;

3. MATES WITH CFP MSA COMPLIANT TRANSCEIVERS.

4. DATUM AND BASIC DIMENSION ESTABLISHED BY CUSTOMER.

5. MINIMUM PC BOARD THICKNESS: SINGLE SIDE APPLICATIONS=2.99±0.63mm.

6. PADS AND VIAS CHASSIS GROUND;

7. REFERENCE APPLICATION SPEC 114-XXXX, HOLE A, FOR
 RECOMMENDED DRILL HOLE DIAMETER AND PLATING THICKNESS.

THIS PRINT IS
PRELIMINARY
 UNQUALIFIED PRODUCT
 CONTACT PRODUCT ENGINEERING
 BEFORE USING THIS PRINT

1	-	-	-	2293289-6		
-	1	-	-	2293289-5	CAGE ASSEMBLY WITH HS, CFP4 1X1	4
-	-	1	-	2293289-2		
2	2	2	2	2292789-1	SCREW	3
1	1	1	1	2288228-1	RECEPTACLE COVER ASSEMBLY	2
-	-	-	1	2293289-1	CAGE ASSEMBLY WITH HS, CFP4 1X1	1
-4	-3	-2	-1	PAR NUMBER	DESCRIPTION	ITEM

THIS DRAWING IS A CONTROLLED DOCUMENT.		DWN ANDY.XIF 12JUN2015	 TE Connectivity PRELIMINARY			
DIMENSIONS: mm		CHK SEAN.HAN 12JUN2015				
TOLERANCES UNLESS OTHERWISE SPECIFIED:		APVD SEAN.HAN 12JUN2015				
0 PLC ± 1 PLC ±0.25 2 PLC ±0.13 3 PLC ±0.10 4 PLC ± ANGLES ± FINISH 2		NAME HARDWARE KIT FOR CFP4 1X1 PRESS FIT (CAGE, HS, HS CLIP, COVER, SCREW)				
MATERIAL	1	2	SIZE A2	CAGE CODE -	DRAWING NO G-2288226	RESTRICTED TO -
CUSTOMER DRAWING		SCALE 1:1	SHEET 1	OF 7	REV 8	

4

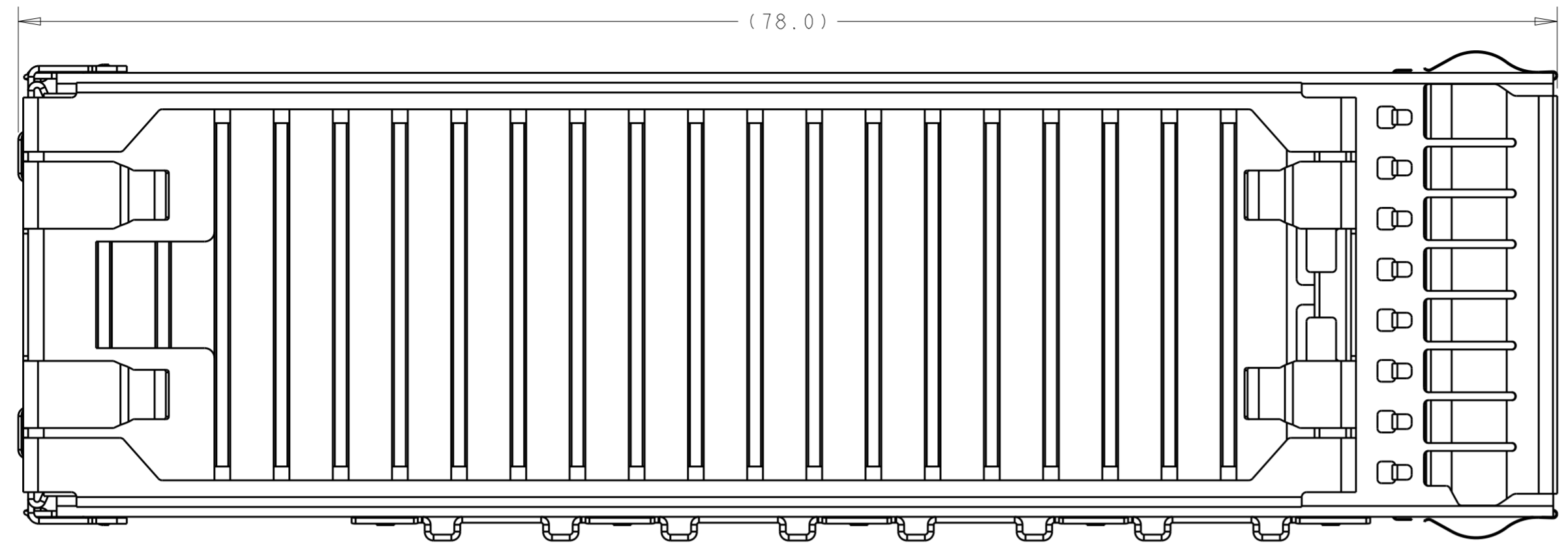
3

2

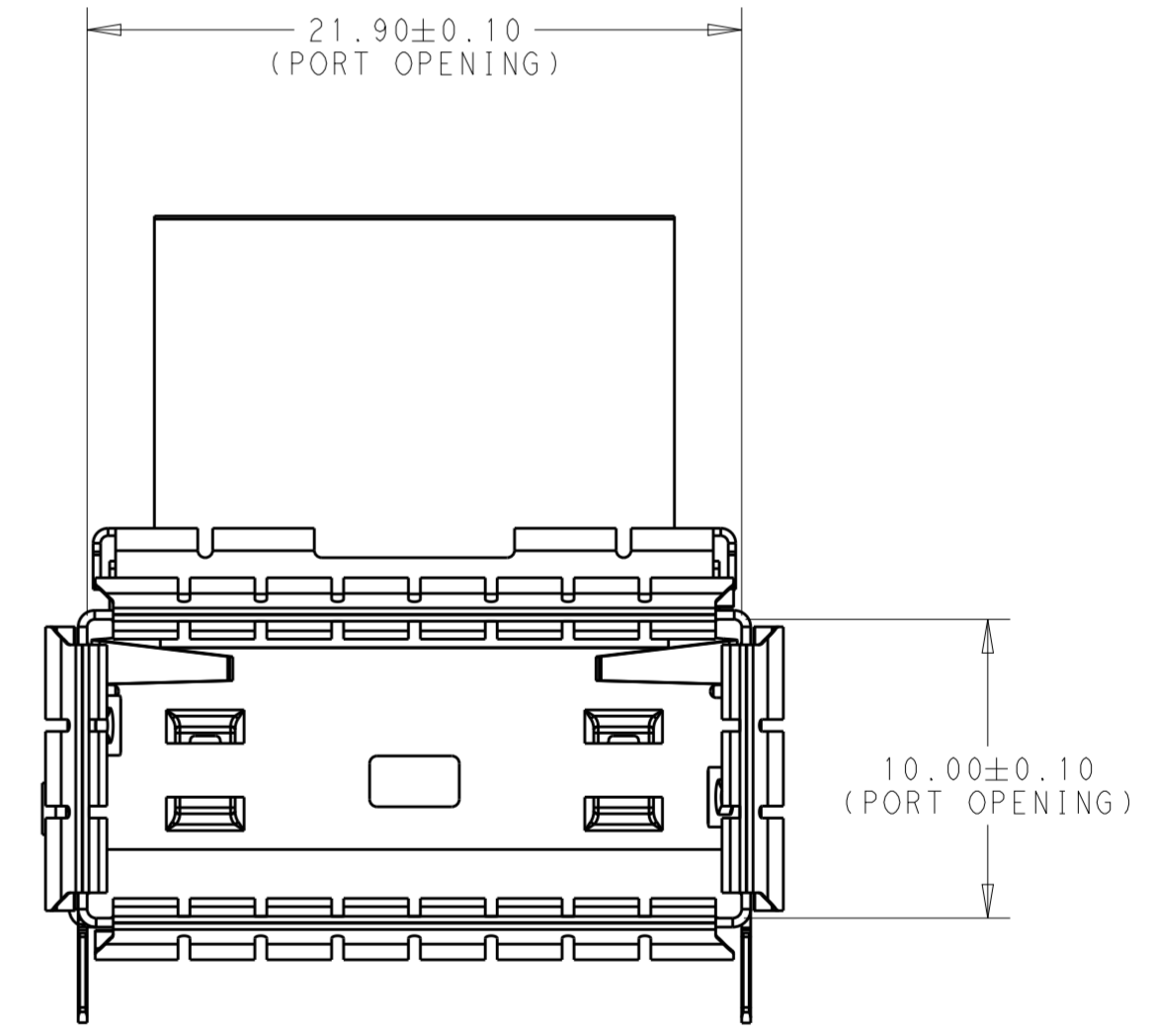
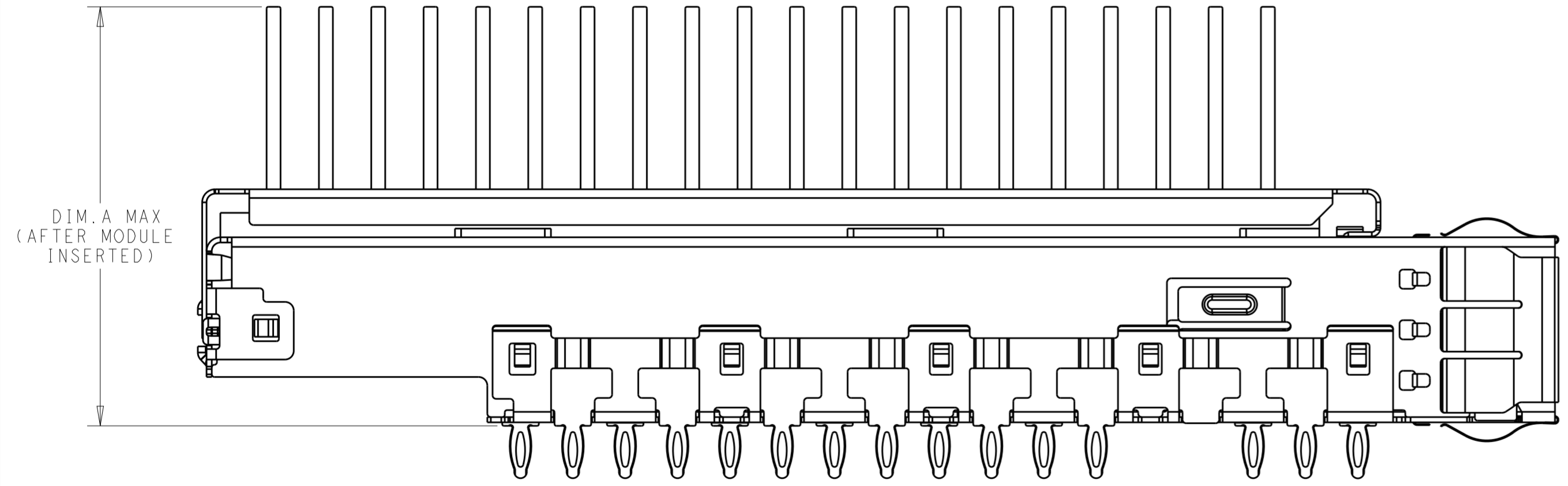
1

THIS DRAWING IS UNPUBLISHED. RELEASED FOR PUBLICATION 20
 © COPYRIGHT 20 BY - ALL RIGHTS RESERVED.


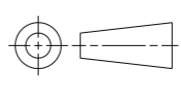
REVISIONS				
P	LTR	DESCRIPTION	DATE	APVD
-		SEE SHEET 1	-	-



THIS PRINT IS
PRELIMINARY
 UNQUALIFIED PRODUCT
 CONTACT PRODUCT ENGINEERING
 BEFORE USING THIS PRINT

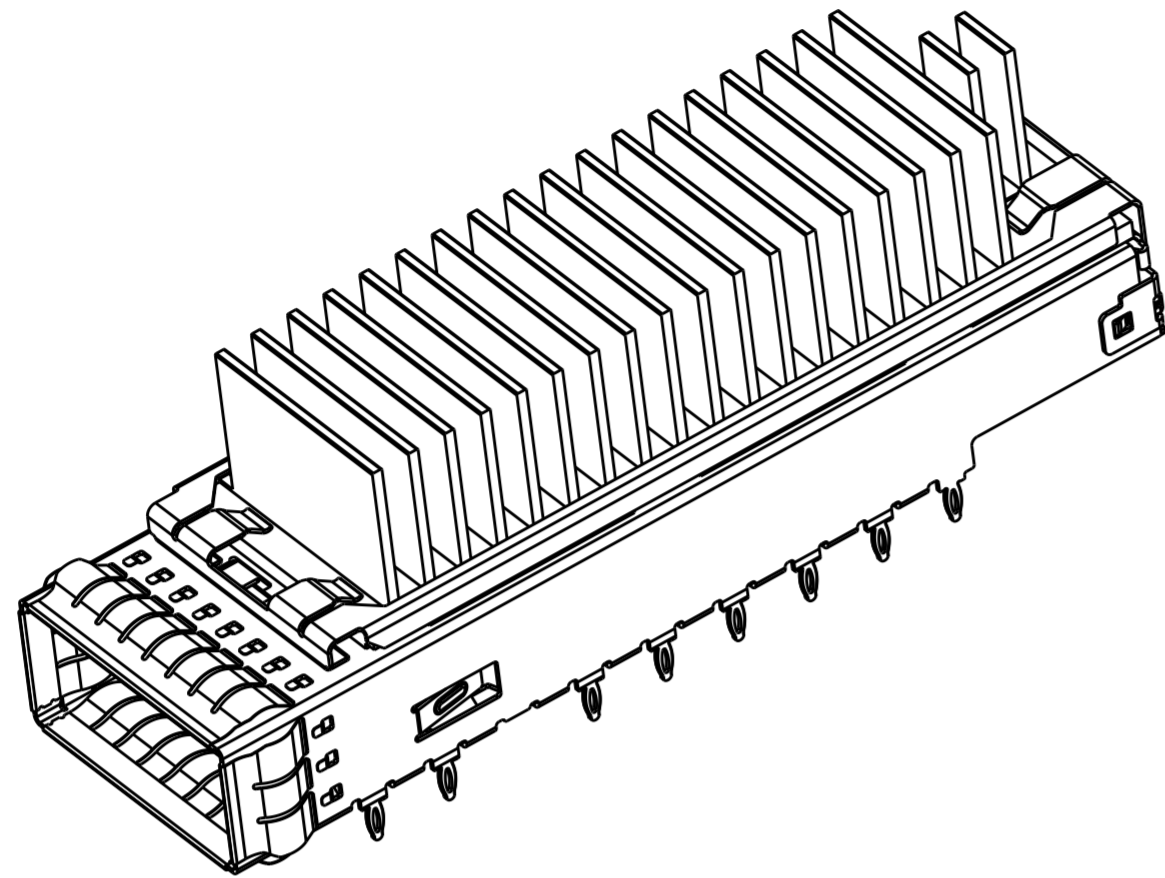


18.5MAX	2293289-6
18.5MAX	2293289-5
25MAX	2293289-2
25MAX	2293289-1
DIM. A	PART NUMBER

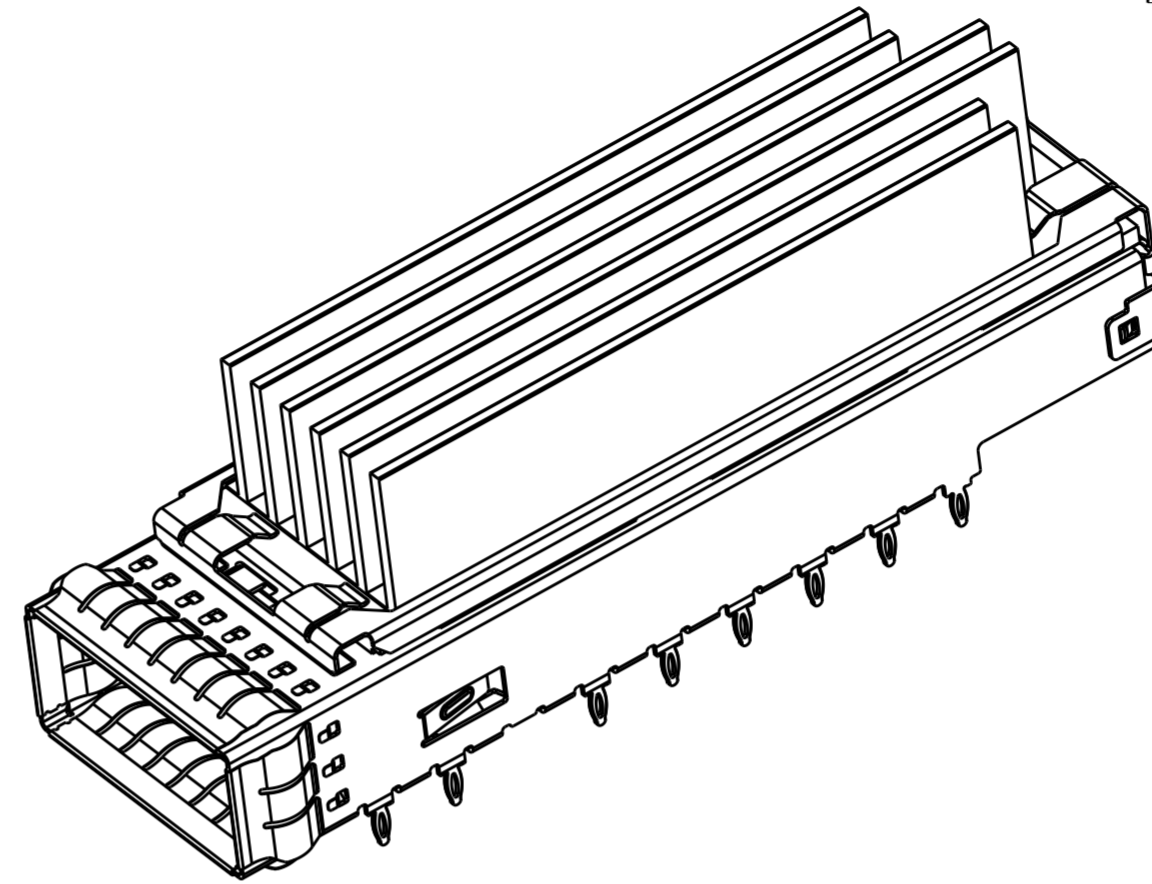
THIS DRAWING IS A CONTROLLED DOCUMENT.		DWN ANDY.XIE 12JUN2015	 TE Connectivity		
DIMENSIONS:		CHK SEAN.HAN 12JUN2015			
TOLERANCES UNLESS OTHERWISE SPECIFIED:		APVD SEAN.HAN 12JUN2015			
mm		PRODUCT SPEC			
		APPLICATION SPEC	NAME HARD WARE KIT FOR CFP4 1X1 PRESS FIT (CAGE, HS, HS CLIP, COVER, SCREW)		
MATERIAL		WEIGHT	SIZE A2	CAGE CODE -	DRAWING NO. C-2288226
-		-	RESTRICTED TO -		SCALE 1:1
		CUSTOMER DRAWING	SHEET 2 OF 7		REV 8

THIS DRAWING IS UNPUBLISHED. RELEASED FOR PUBLICATION 20
 © COPYRIGHT 20 BY - ALL RIGHTS RESERVED.

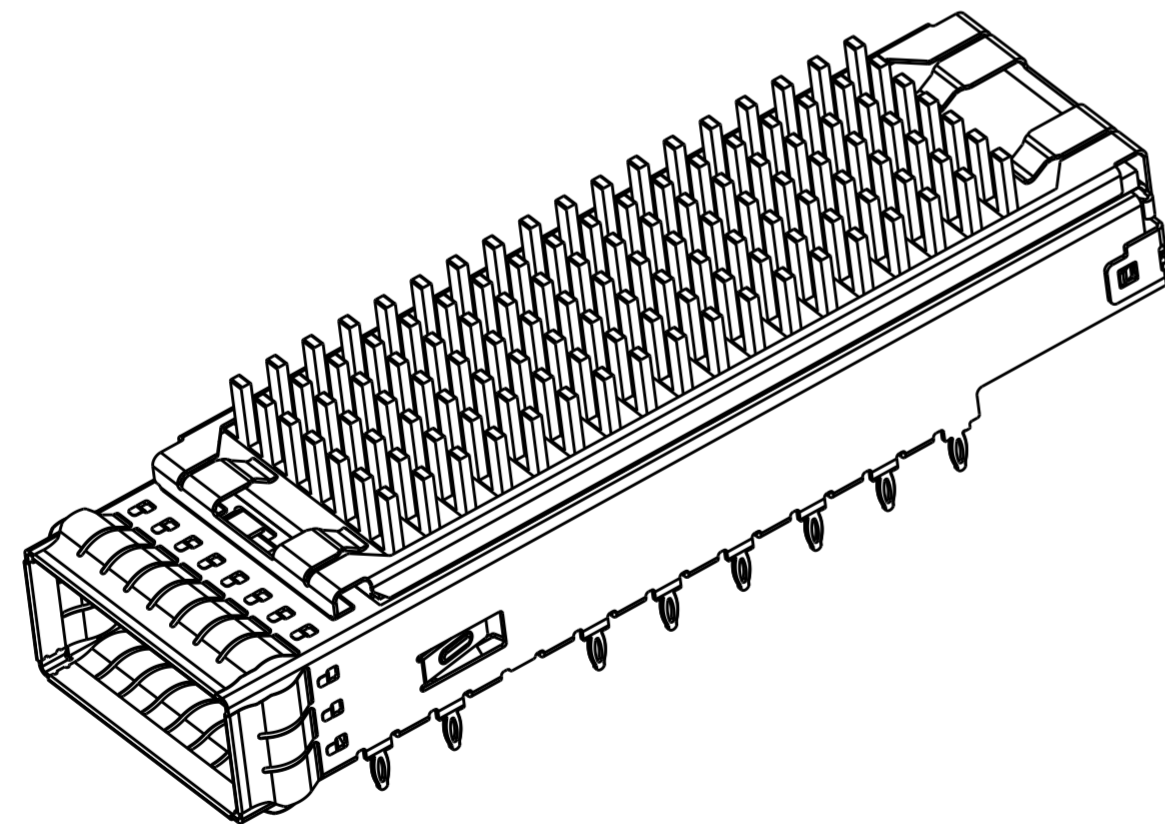
REVISIONS				
P	LTR	DESCRIPTION	DATE	APVD
-		SEE SHEET 1	-	-



2293289-1
 2293289-6
 SCALE 2:1


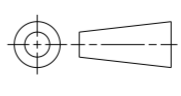


2293289-2
 SCALE 2:1



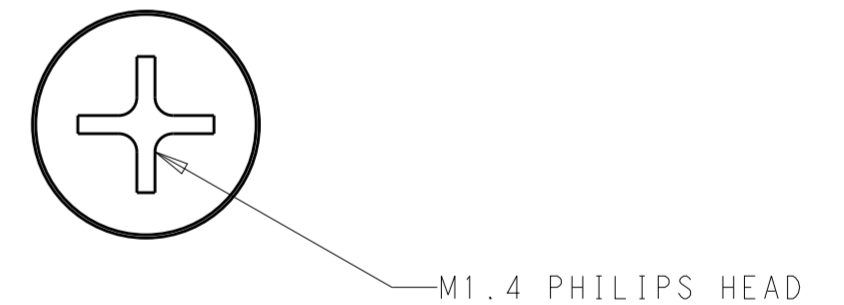
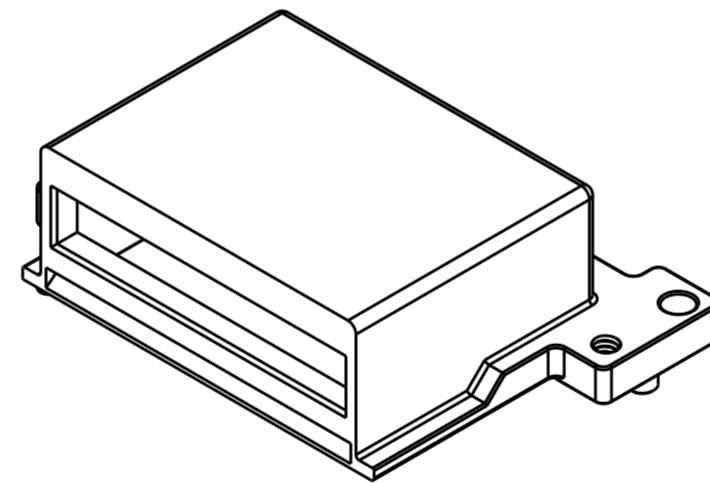
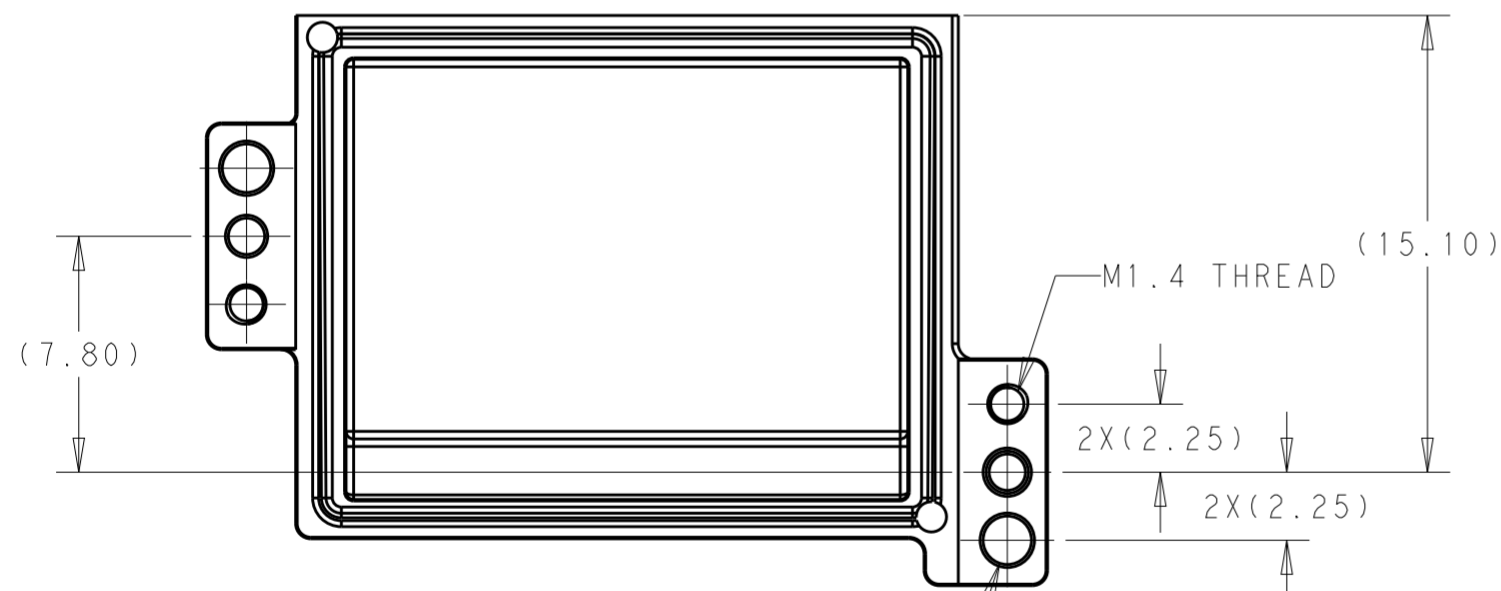
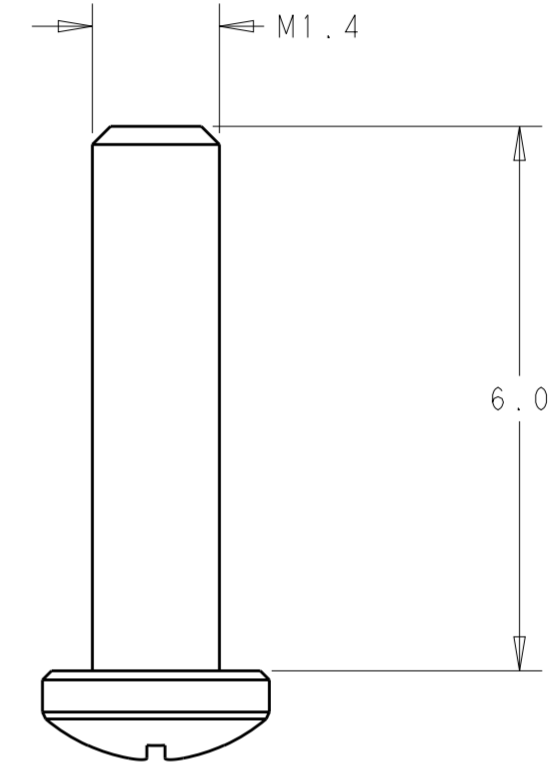
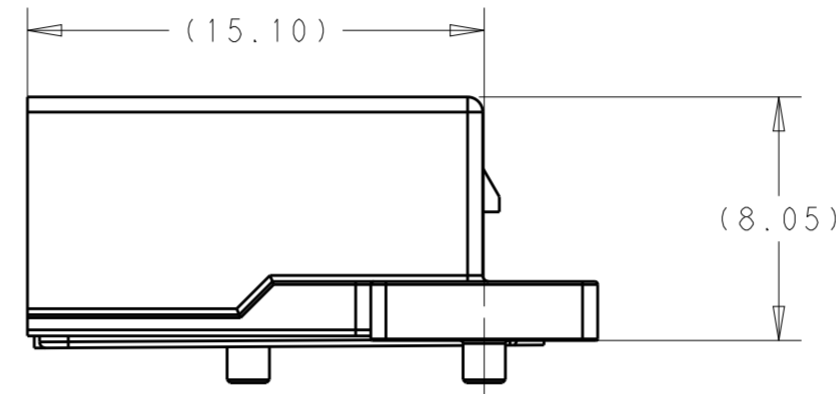
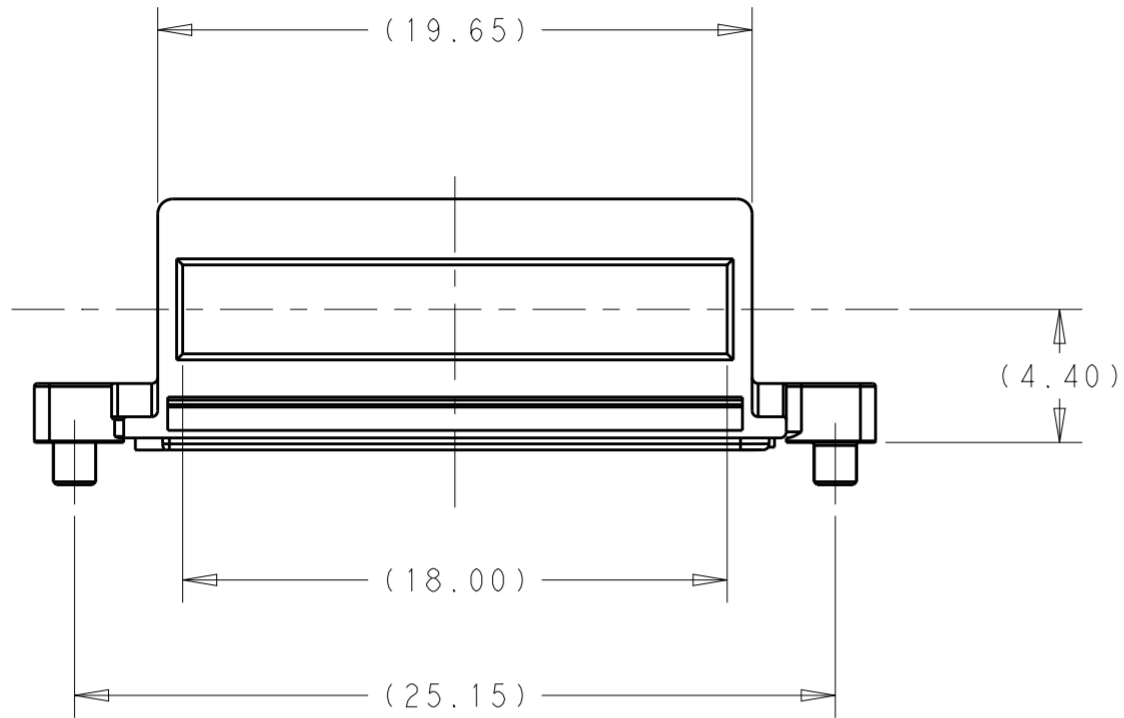
2293289-5
 SCALE 2:1

THIS PRINT IS
PRELIMINARY
 UNQUALIFIED PRODUCT
 CONTACT PRODUCT ENGINEERING
 BEFORE USING THIS PRINT

THIS DRAWING IS A CONTROLLED DOCUMENT.		DWN ANDY.XIE 12JUN2015	 TE Connectivity	
		CHK SEAN.HAN 12JUN2015		
		APVD SEAN.HAN 12JUN2015		
		PRODUCT SPEC		
DIMENSIONS: mm 		NAME HARD WARE KIT FOR CFP4 1X1 PRESS FIT (CAGE, HS, HS CLIP, COVER, SCREW)		
TOLERANCES UNLESS OTHERWISE SPECIFIED: 0 PLC ± 1 PLC ±0.25 2 PLC ±0.13 3 PLC ±0.10 4 PLC ± ANGLES ± FINISH		APPLICATION SPEC - WEIGHT - CUSTOMER DRAWING		
MATERIAL		SIZE A2		CAGE CODE -
		DRAWING NO C-2288226		RESTRICTED TO -
		SCALE 1:1		SHEET 3 OF 7
				REV 8

THIS DRAWING IS UNPUBLISHED. RELEASED FOR PUBLICATION 20
 © COPYRIGHT 20 BY - ALL RIGHTS RESERVED.

REVISIONS				
P	LTR	DESCRIPTION	DATE	APVD
-	-	SEE SHEET 1	-	-



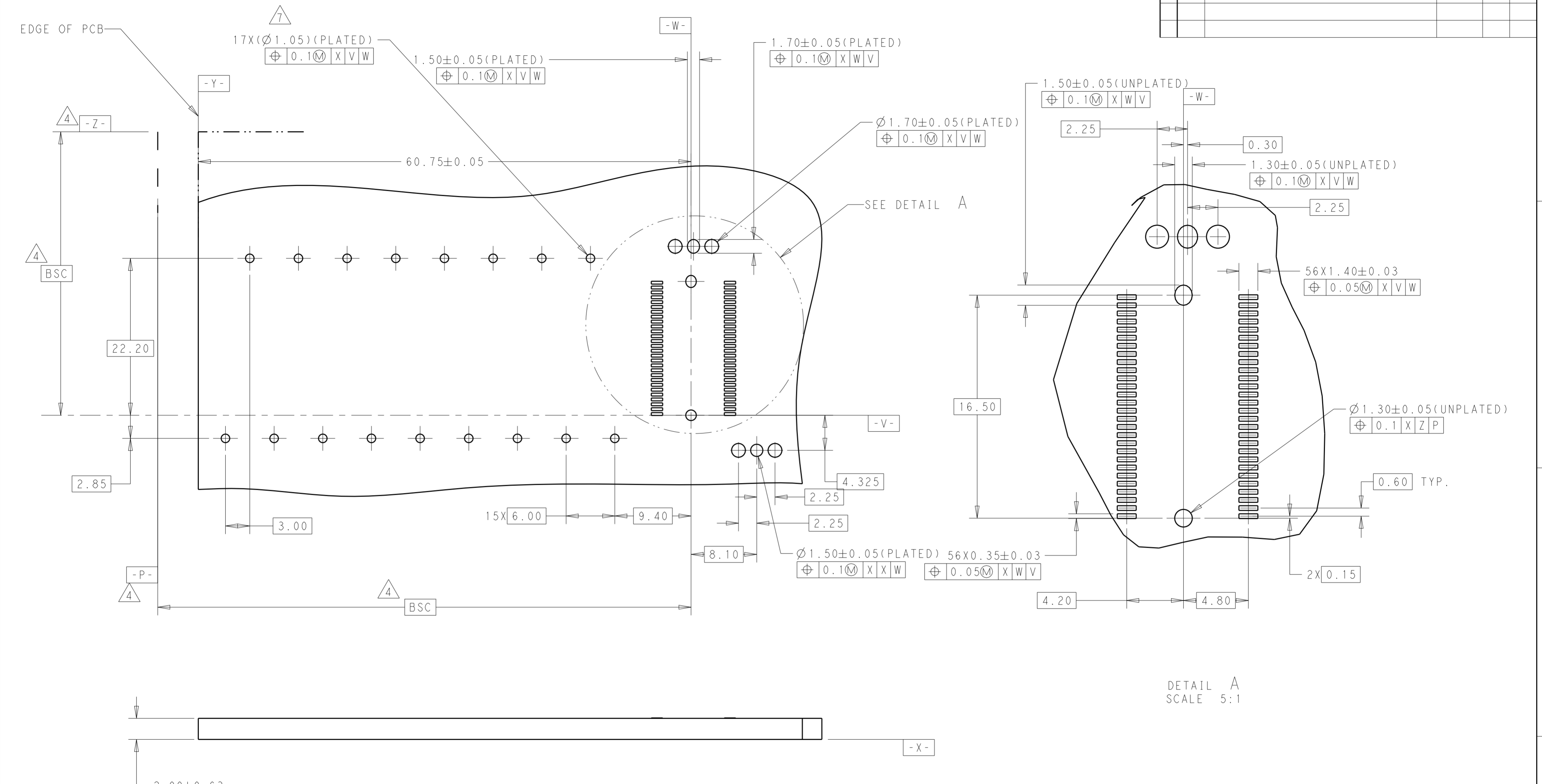
EM126160±0.08

THIS PRINT IS
PRELIMINARY
 UNQUALIFIED PRODUCT
 CONTACT PRODUCT ENGINEERING
 BEFORE USING THIS PRINT

THIS DRAWING IS A CONTROLLED DOCUMENT.		DWN ANDY.XIE 12JUN2015	TE Connectivity	
DIMENSIONS: mm		CHK SEAN.HAN 12JUN2015		
TOLERANCES UNLESS OTHERWISE SPECIFIED:		APVD SEAN.HAN 12JUN2015	NAME HARD WARE KIT FOR CFP4 1X1 PRESS FIT (CAGE, HS, HS CLIP, COVER, SCREW)	
0 PLC ±	1 PLC ±0.25	PRODUCT SPEC	SIZE A2	CAGE CODE -
2 PLC ±0.13	3 PLC ±0.10	APPLICATION SPEC	DRAWING NO C-2288226	RESTRICTED TO -
4 PLC ±	ANGLES ±	WEIGHT -	SCALE 1:1	SHEET 4 OF 7
MATERIAL -	FINISH -	CUSTOMER DRAWING	REV 8	

THIS DRAWING IS UNPUBLISHED. RELEASED FOR PUBLICATION 20
 © COPYRIGHT 20 BY - ALL RIGHTS RESERVED.

REVISIONS				
P	LTR	DESCRIPTION	DATE	APVD
-	-	SEE SHEET 1	-	-

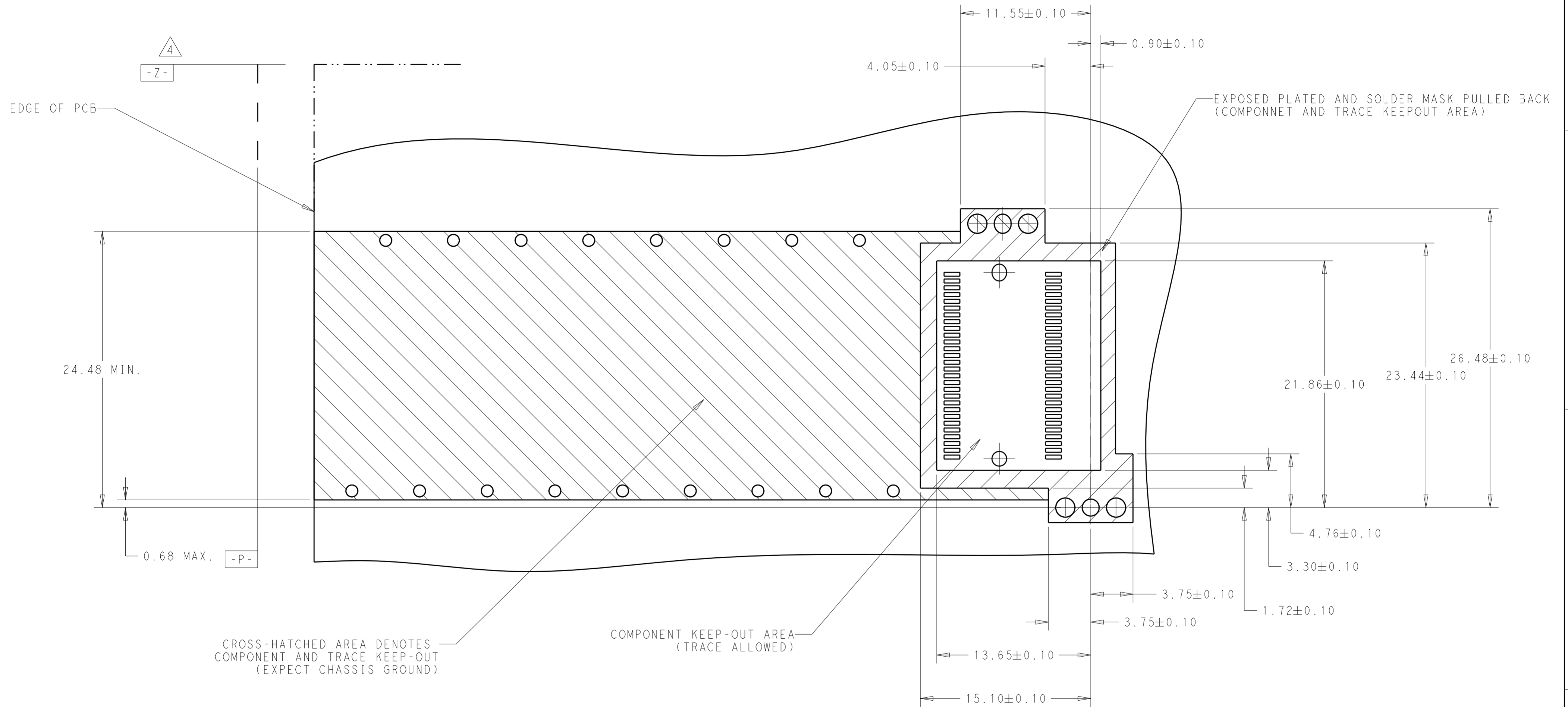


THIS PRINT IS
PRELIMINARY
 UNQUALIFIED PRODUCT
 CONTACT PRODUCT ENGINEERING
 BEFORE USING THIS PRINT

THIS DRAWING IS A CONTROLLED DOCUMENT.		DWN ANDY.XIE 12JUN2015	TE Connectivity		
DIMENSIONS: mm		CHK SEAN.HAN 12JUN2015			
TOLERANCES UNLESS OTHERWISE SPECIFIED:		APVD SEAN.HAN 12JUN2015			
0 PLC \pm 1 PLC ± 0.25 2 PLC ± 0.13 3 PLC ± 0.10 4 PLC \pm ANGLES \pm FINISH		NAME HARDWARE KIT FOR CFP4 1X1 PRESS FIT (CAGE, HS, HS CLIP, COVER, SCREW) SIZE A2 CAGE CODE - DRAWING NO. C-2288226 RESTRICTED TO - SCALE 1:1 SHEET 5 OF 7 REV 8			
MATERIAL	-	PRODUCT SPEC -	APPLICATION SPEC -	WEIGHT -	CUSTOMER DRAWING

THIS DRAWING IS UNPUBLISHED. RELEASED FOR PUBLICATION 20
 © COPYRIGHT 20 BY - ALL RIGHTS RESERVED.

REVISIONS				
P	LTR	DESCRIPTION	DATE	APVD
-	-	SEE SHEET 1	-	-



CROSS-HATCHED AREA DENOTES COMPONENT AND TRACE KEEP-OUT (EXPECT CHASSIS GROUND)

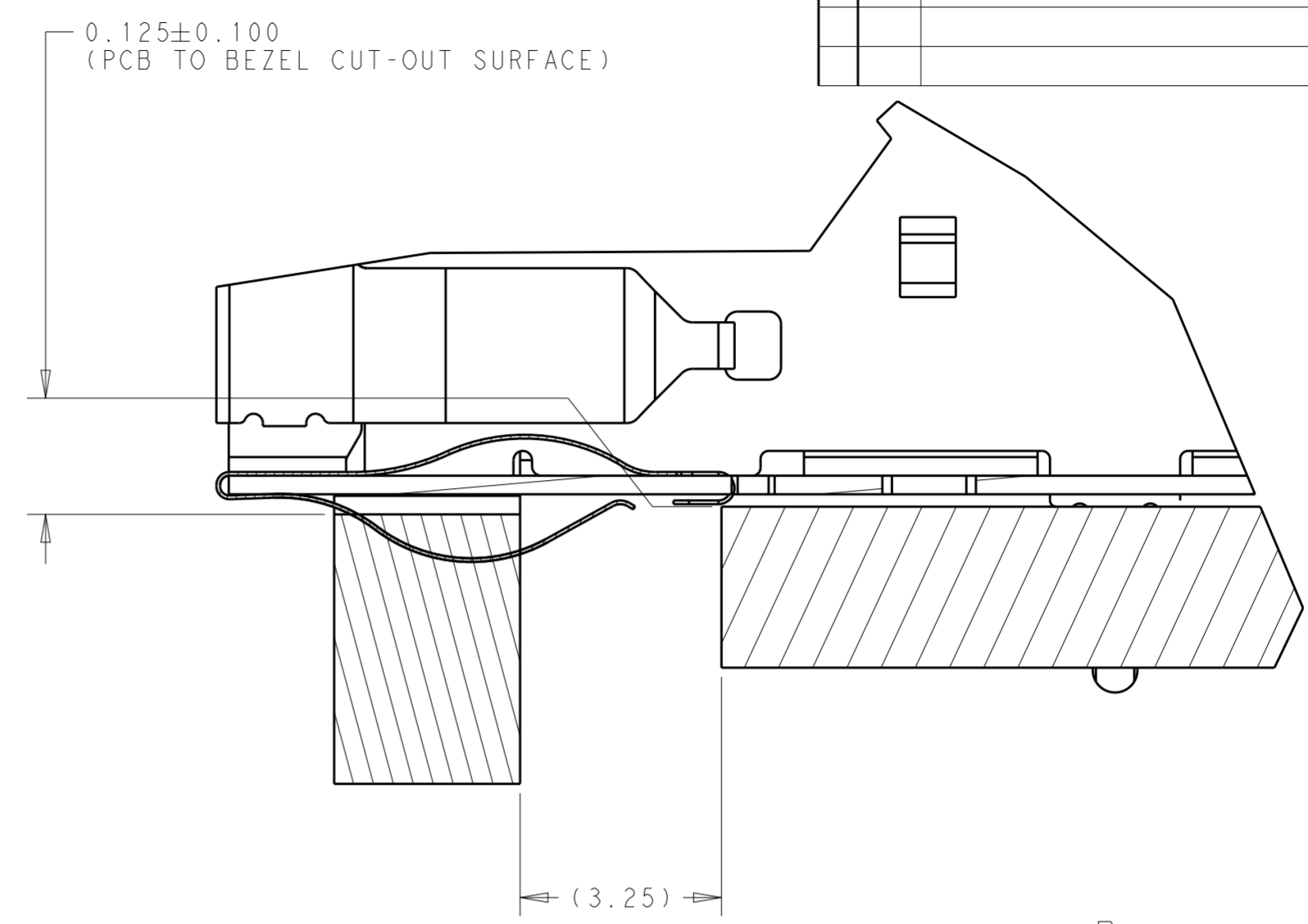
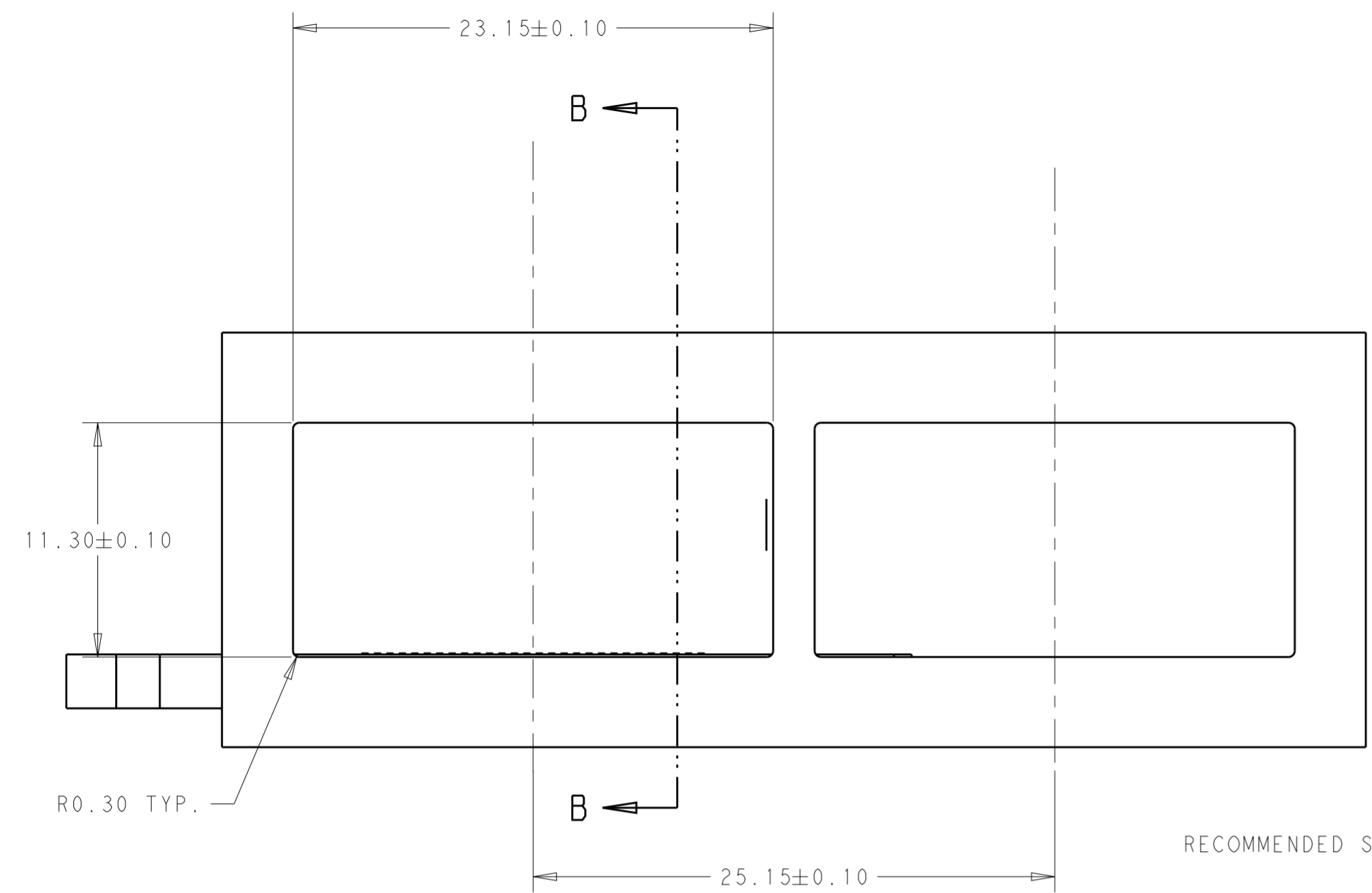
COMPONENT KEEP-OUT AREA (TRACE ALLOWED)

THIS PRINT IS
PRELIMINARY
 UNQUALIFIED PRODUCT
 CONTACT PRODUCT ENGINEERING
 BEFORE USING THIS PRINT

THIS DRAWING IS A CONTROLLED DOCUMENT.		DWN ANDY.XIE 12JUN2015	TE Connectivity	
DIMENSIONS: mm		CHK SEAN.HAN 12JUN2015		
TOLERANCES UNLESS OTHERWISE SPECIFIED:		APVD SEAN.HAN 12JUN2015	NAME HARD WARE KIT FOR CFP4 1X1 PRESS FIT (CAGE, HS, HS CLIP, COVER, SCREW)	
0 PLC ± 1 PLC ±0.25 2 PLC ±0.13 3 PLC ±0.10 4 PLC ± ANGLES ± FINISH ±		PRODUCT SPEC -	SIZE A2	CAGE CODE -
MATERIAL -		APPLICATION SPEC -	DRAWING NO. C-2288226	RESTRICTED TO -
-		WEIGHT -	SCALE 1:1 SHEET 6 OF 7 REV 8	
CUSTOMER DRAWING				

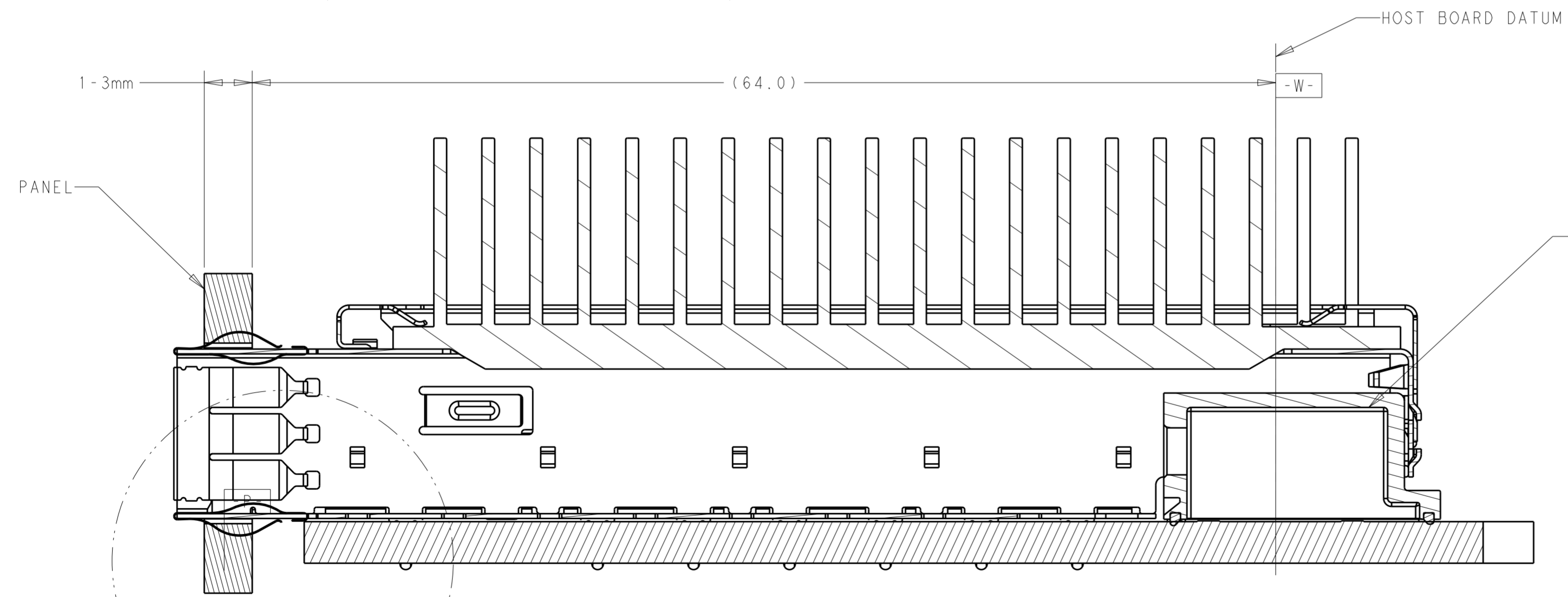
THIS DRAWING IS UNPUBLISHED. RELEASED FOR PUBLICATION 20
 © COPYRIGHT 20 BY - ALL RIGHTS RESERVED.

REVISIONS				
P	LTR	DESCRIPTION	DATE	APVD
-	-	SEE SHEET 1	-	-



RECOMMENDED SINGLE SIDE APPLICATION

DETAIL B
SCALE 10:1



THIS PRINT IS
PRELIMINARY
 UNQUALIFIED PRODUCT
 CONTACT PRODUCT ENGINEERING
 BEFORE USING THIS PRINT

SECTION B-B
SCALE 4:1

THIS DRAWING IS A CONTROLLED DOCUMENT.		DWN ANDY.XIE 12JUN2015	TE Connectivity	
DIMENSIONS: mm		CHK SEAN.HAN 12JUN2015		
TOLERANCES UNLESS OTHERWISE SPECIFIED:		APVD SEAN.HAN 12JUN2015	NAME HARDWARE KIT FOR CFP4 1X1 PRESS FIT (CAGE, HS, HS CLIP, COVER, SCREW)	
0 PLC ±	1 PLC ±0.25	PRODUCT SPEC	SIZE A2	RESTRICTED TO
2 PLC ±0.13	3 PLC ±0.10	APPLICATION SPEC	CAGE CODE -	DRAWING NO. C-2288226
4 PLC ±	ANGLES ±	WEIGHT -	SCALE 1:1	SHEET 7 OF 7
MATERIAL -	FINISH -	CUSTOMER DRAWING	REV 8	