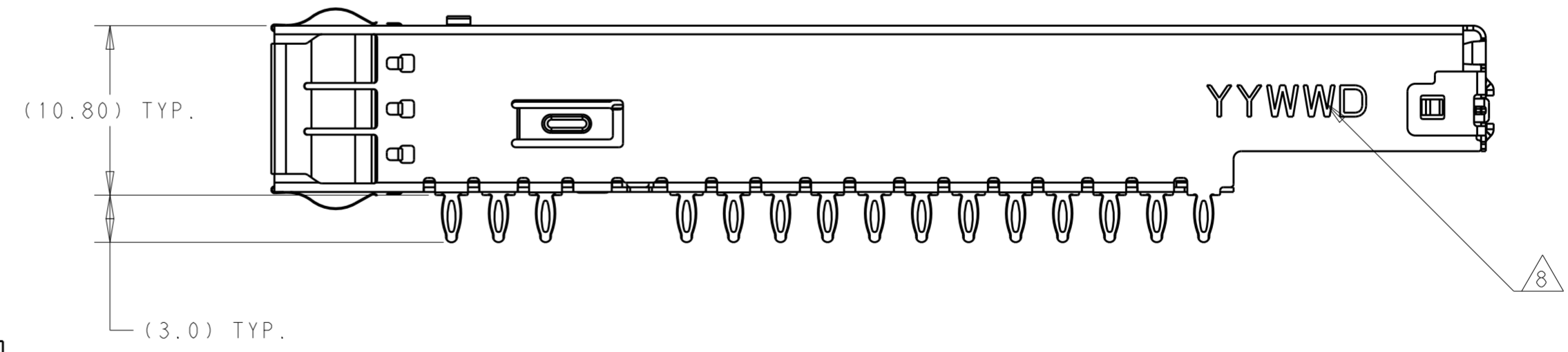
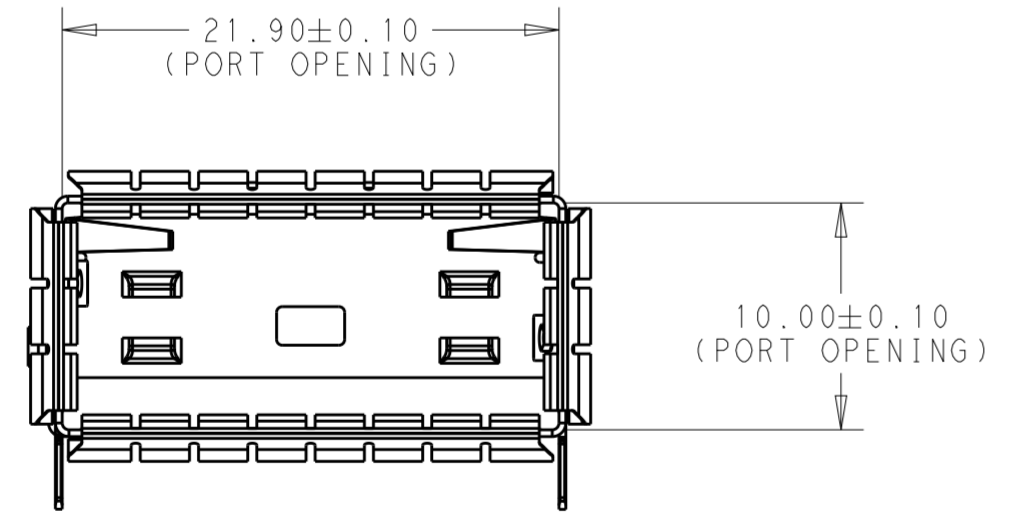
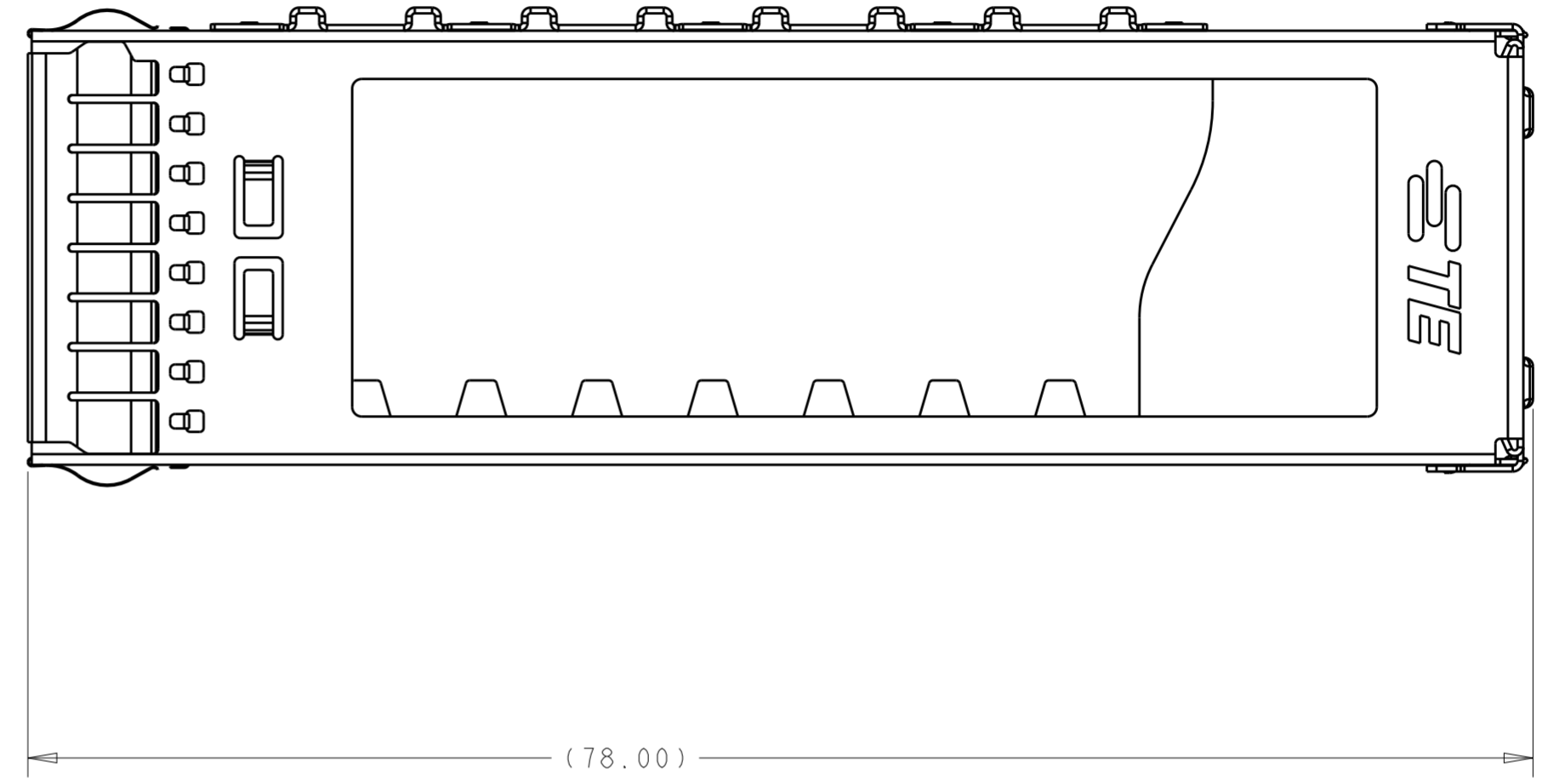


THIS DRAWING IS UNPUBLISHED. RELEASED FOR PUBLICATION 20  
 © COPYRIGHT 20 BY - ALL RIGHTS RESERVED.

REVISIONS				
P	LTR	DESCRIPTION	DATE	APVD
1		PRELIMINARY DRAWING	20MAY2016	AD SH

- 1. MATERIAL : CAGE :0.3MM THICK NICKEL SILVER ALLOY;  
EMI SPRING: COPPER ALLOY;
- 2. FINISH: EMI SPRING -1.27um NICKEL PALTING OVER ALL;
- 3. MATES WITH CFP MSA COMPLIANT TRANSCEIVERS.
- 4. DATUM AND BASIC DIMENSION ESTABLISHED BY CUSTOMER.
- 5. MINIMUM PC BOARD THICKNESS: SIGLE SIDE APPLICATIONS=2.99±0.10mm.  
BELLY TO BELLY APPLICATION 3.0mm MIN.
- 6. PADS AND VIAS CHASSIS GROUND;
- 7. REFERENCE APPLICATION SPEC 114-XXXX,HOLE A, FOR  
RECOMMENDED DRILL HOLE DIAMETER AND PLATING THICKNESS.
- 8. DATE CODE MARKED APPROXIMATE AREA



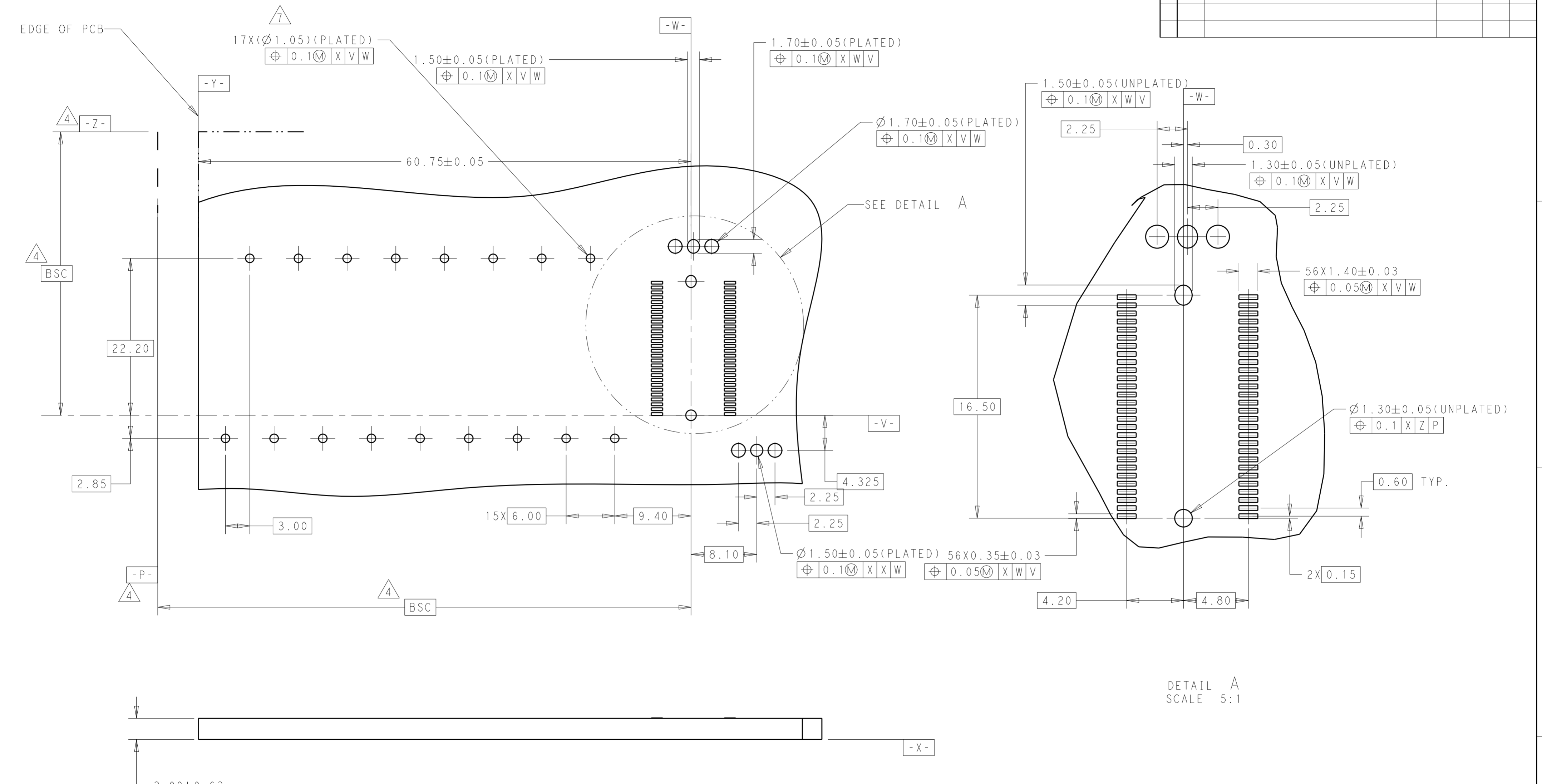
THIS PRINT IS  
**PRELIMINARY**  
 UNQUALIFIED PRODUCT  
 CONTACT PRODUCT ENGINEERING  
 BEFORE USING THIS PRINT

2288227-2  
 PART NUMBER

THIS DRAWING IS A CONTROLLED DOCUMENT.		DWN ANDY.XIF 20MAY2016																									
DIMENSIONS:		CHK SEAN.HAN 20MAY2016																									
TOLERANCES UNLESS OTHERWISE SPECIFIED:		APVD SEAN.HAN 20MAY2016																									
mm		NAME CAGE ASSEMBLY, CFP4 1X1 PRESS FIT, EMI SPRING																									
<table border="1"> <tr> <td>0 PLC</td> <td>±</td> <td></td> </tr> <tr> <td>1 PLC</td> <td>±0.25</td> <td></td> </tr> <tr> <td>2 PLC</td> <td>±0.15</td> <td></td> </tr> <tr> <td>3 PLC</td> <td>±0.1</td> <td></td> </tr> <tr> <td>4 PLC</td> <td>±</td> <td></td> </tr> <tr> <td>ANGLES</td> <td>±</td> <td></td> </tr> <tr> <td>FINISH</td> <td></td> <td></td> </tr> </table>		0 PLC	±		1 PLC	±0.25		2 PLC	±0.15		3 PLC	±0.1		4 PLC	±		ANGLES	±		FINISH			PRODUCT SPEC -	SIZE A2	CAGE CODE -	DRAWING NO C-2288227	RESTRICTED TO -
0 PLC	±																										
1 PLC	±0.25																										
2 PLC	±0.15																										
3 PLC	±0.1																										
4 PLC	±																										
ANGLES	±																										
FINISH																											
MATERIAL -		APPLICATION SPEC -	WEIGHT -	SCALE 3:1	SHEET 1 OF 4	REV 1																					
-		CUSTOMER DRAWING																									

THIS DRAWING IS UNPUBLISHED. RELEASED FOR PUBLICATION 20  
 © COPYRIGHT 20 BY - ALL RIGHTS RESERVED.

REVISIONS				
P	LTR	DESCRIPTION	DATE	APVD
-	-	SEE SHEET 1	-	-



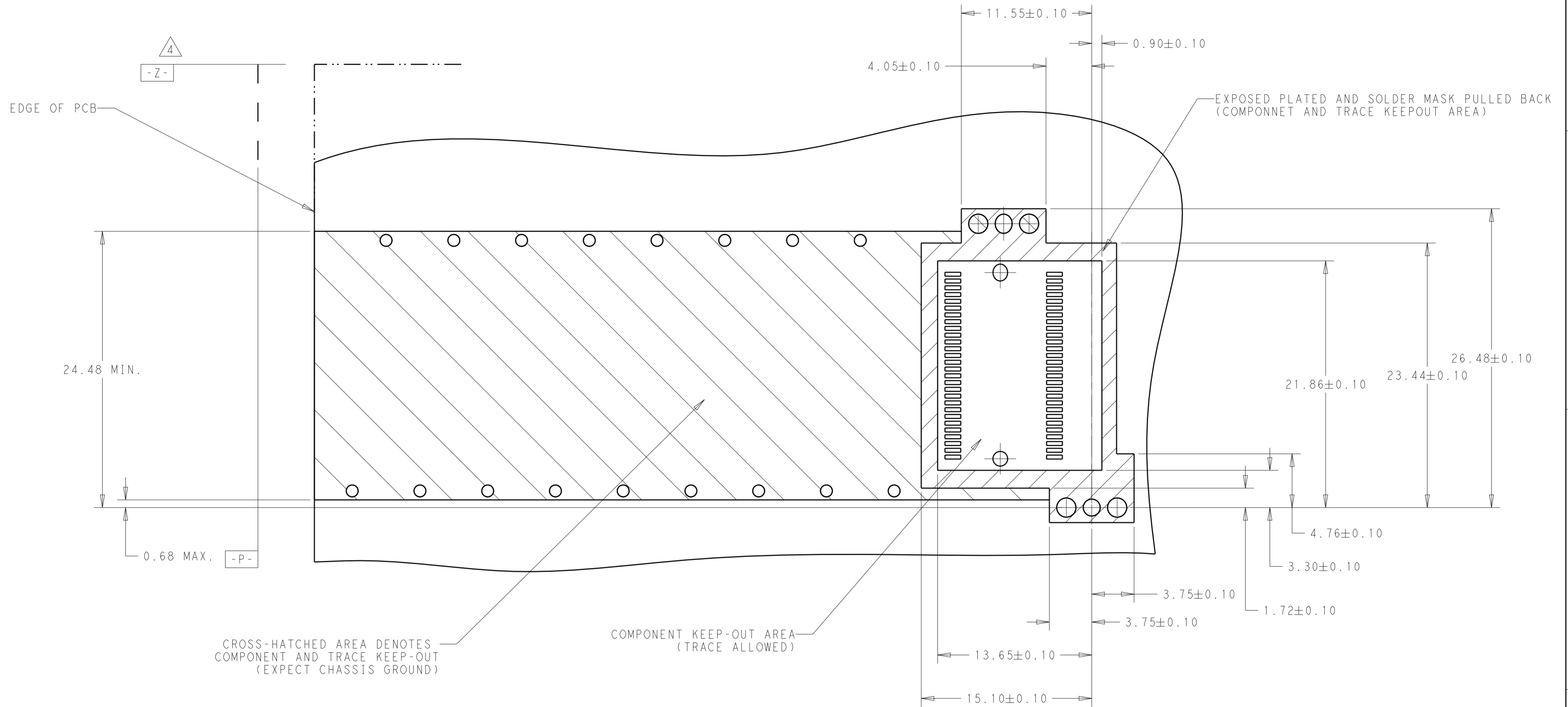
DETAIL A  
SCALE 5:1

THIS PRINT IS  
**PRELIMINARY**  
 UNQUALIFIED PRODUCT  
 CONTACT PRODUCT ENGINEERING  
 BEFORE USING THIS PRINT

THIS DRAWING IS A CONTROLLED DOCUMENT.		DWN ANDY.XIE 20MAY2016	TE Connectivity	
DIMENSIONS: mm		CHK SEAN.HAN 20MAY2016		
TOLERANCES UNLESS OTHERWISE SPECIFIED:		APVD SEAN.HAN 20MAY2016	NAME CAGE ASSEMBLY, CFP4 1X1 PRESS FIT, EMI SPRING	
0 PLC ±	±0.25	PRODUCT SPEC	SIZE	RESTRICTED TO
1 PLC ±0.25	±0.15	APPLICATION SPEC	A2	-
2 PLC ±0.15	±0.10	WEIGHT	CAGE CODE	DRAWING NO
3 PLC ±0.10	±	CUSTOMER DRAWING	-	C-2288227
4 PLC ±	±	SCALE	3:1	SHEET 2 OF 4
ANGLES ±	±	REV	1	
FINISH				

THIS DRAWING IS UNPUBLISHED. RELEASED FOR PUBLICATION 20  
 © COPYRIGHT 20 BY - ALL RIGHTS RESERVED.

REVISIONS				
P	LTR	DESCRIPTION	DATE	APVD
-	-	SEE SHEET 1	-	-

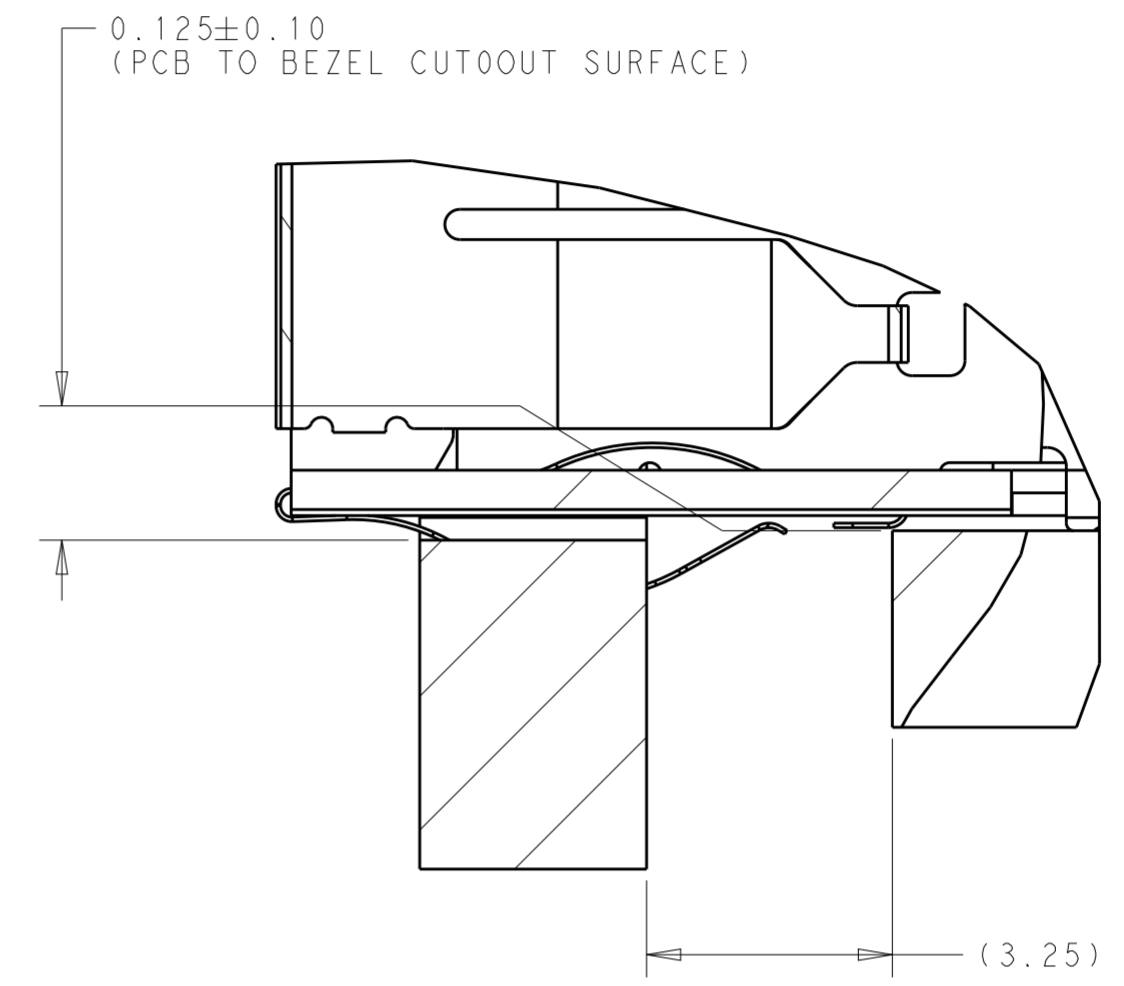
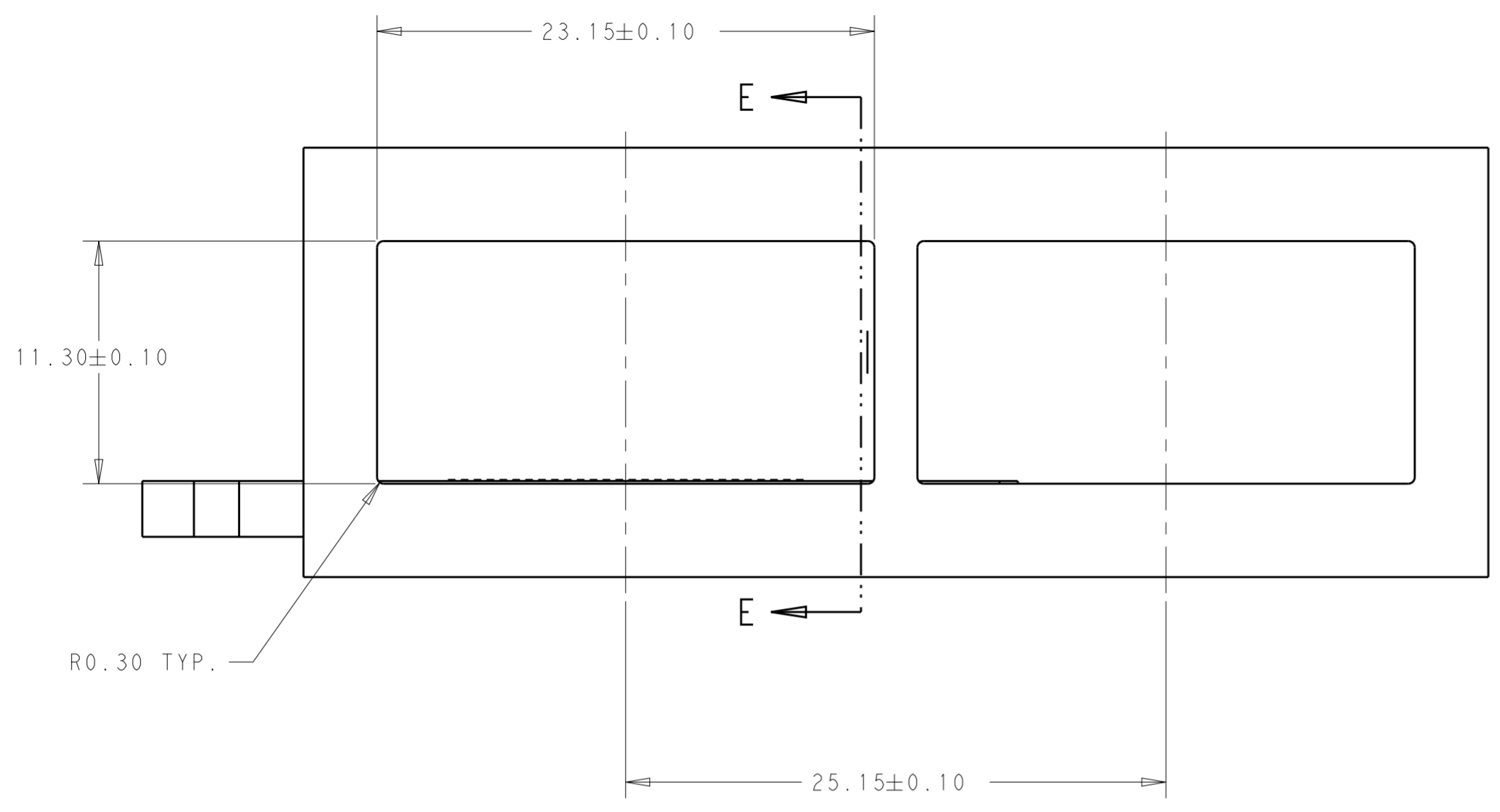


THIS PRINT IS  
**PRELIMINARY**  
 UNQUALIFIED PRODUCT  
 CONTACT PRODUCT ENGINEERING  
 BEFORE USING THIS PRINT

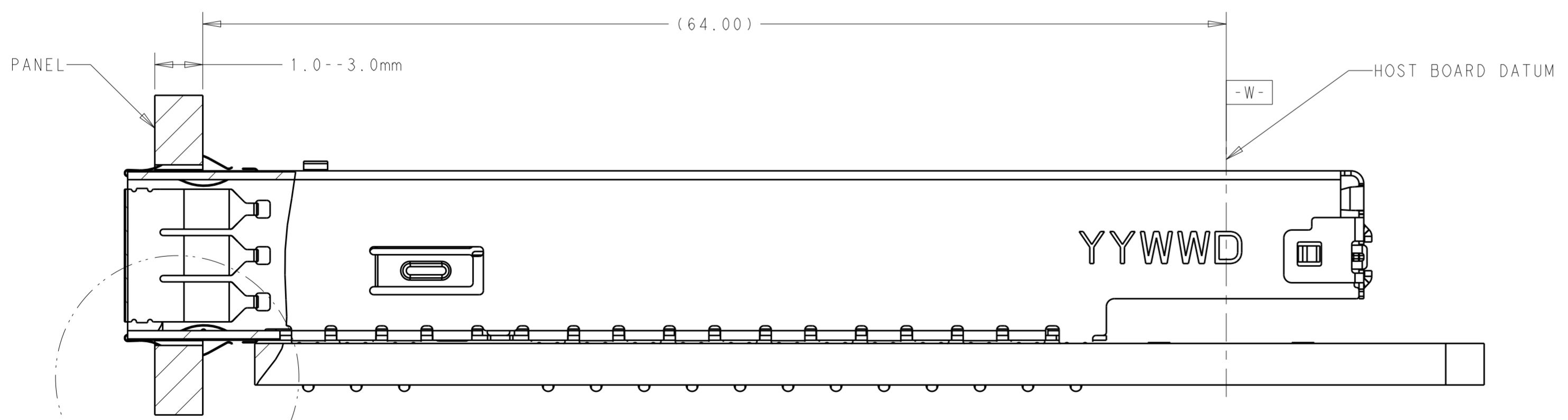
THIS DRAWING IS A CONTROLLED DOCUMENT.		DWN ANDY.XIE 20MAY2016	TE Connectivity	
DIMENSIONS: mm		CHK SEAN.HAN 20MAY2016		
TOLERANCES UNLESS OTHERWISE SPECIFIED:		APVD SEAN.HAN 20MAY2016	NAME CAGE ASSEMBLY,CFP4 1X1 PRESS FIT,EMI SPRING	
0 PLC ±	±0.25	PRODUCT SPEC	SIZE A2	CAGE CODE -
1 PLC ±	±0.15	APPLICATION SPEC	DRAWING NO C-2288227	RESTRICTED TO -
2 PLC ±	±0.10	WEIGHT	SCALE 4:1	SHEET 3 OF 4
3 PLC ±	±	CUSTOMER DRAWING	REV 1	
4 PLC ±	±			
ANGLES	±			
FINISH	-			

THIS DRAWING IS UNPUBLISHED. RELEASED FOR PUBLICATION 20  
 © COPYRIGHT 20 BY - ALL RIGHTS RESERVED.

REVISIONS				
P	LTR	DESCRIPTION	DATE	APVD
-	-	SEE SHEET 1	-	-



DETAIL B  
SCALE 10:1



THIS PRINT IS  
**PRELIMINARY**  
 UNQUALIFIED PRODUCT  
 CONTACT PRODUCT ENGINEERING  
 BEFORE USING THIS PRINT

SEE DETAIL B

SECTION E-E  
SCALE 4:1

THIS DRAWING IS A CONTROLLED DOCUMENT.		DWN ANDY.XIE 20MAY2016	<b>STE</b> TE Connectivity	
DIMENSIONS: mm		CHK SEAN.HAN 20MAY2016		
TOLERANCES UNLESS OTHERWISE SPECIFIED:		APVD SEAN.HAN 20MAY2016	NAME CAGE ASSEMBLY,CFP4 1X1 PRESS FIT,EMI SPRING	
0 PLC ±	±0.25	PRODUCT SPEC	SIZE A2	CAGE CODE -
1 PLC ±	±0.15	APPLICATION SPEC	DRAWING NO C-2288227	RESTRICTED TO -
2 PLC ±	±0.10	WEIGHT	SCALE 4:1	SHEET 4 OF 4
3 PLC ±	±	CUSTOMER DRAWING	REV 1	
4 PLC ±	±			
ANGLES	±			
FINISH	-			