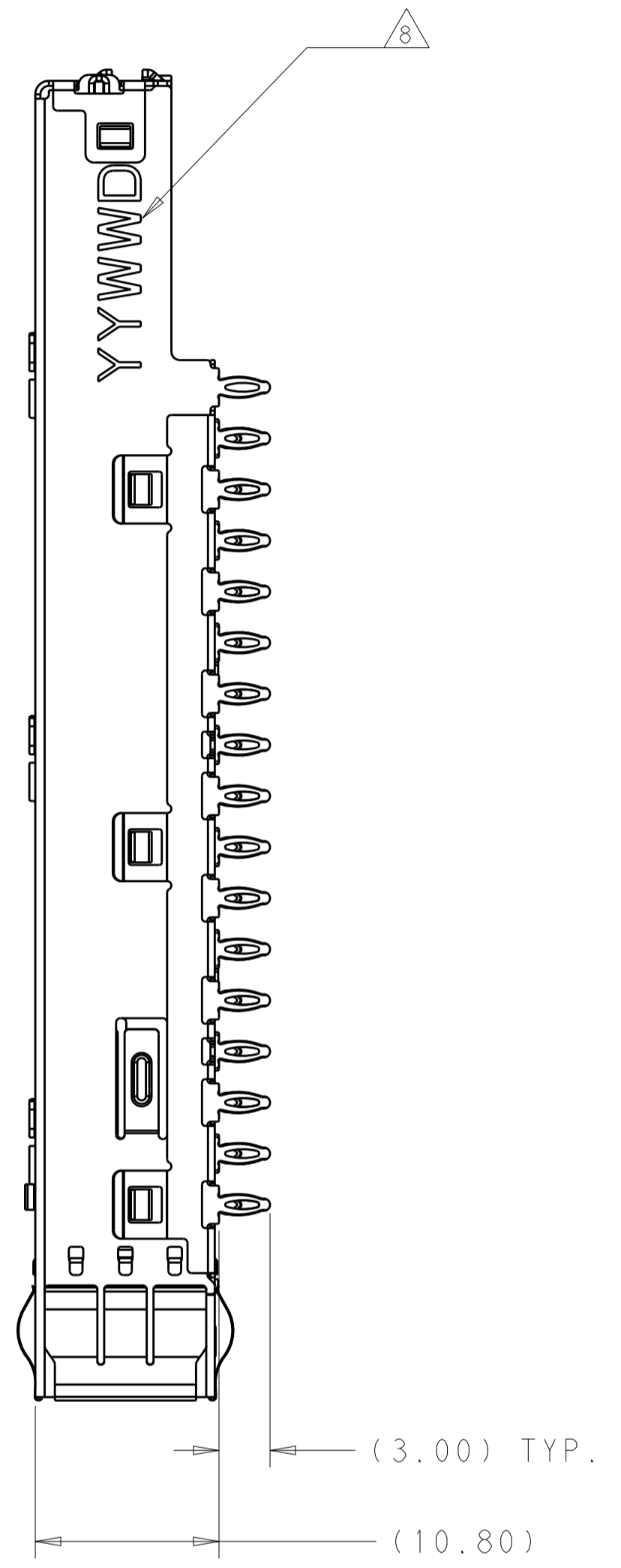
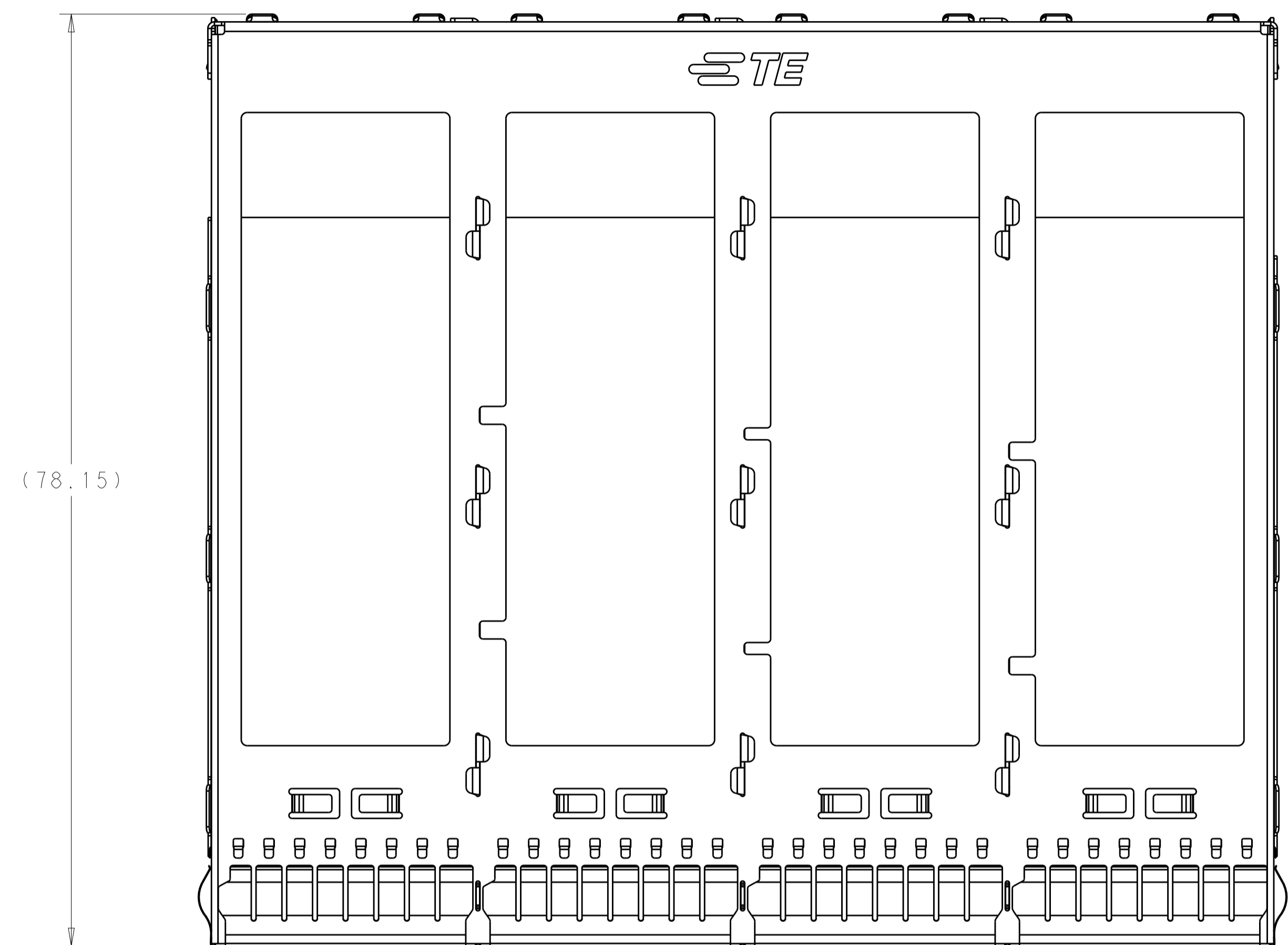
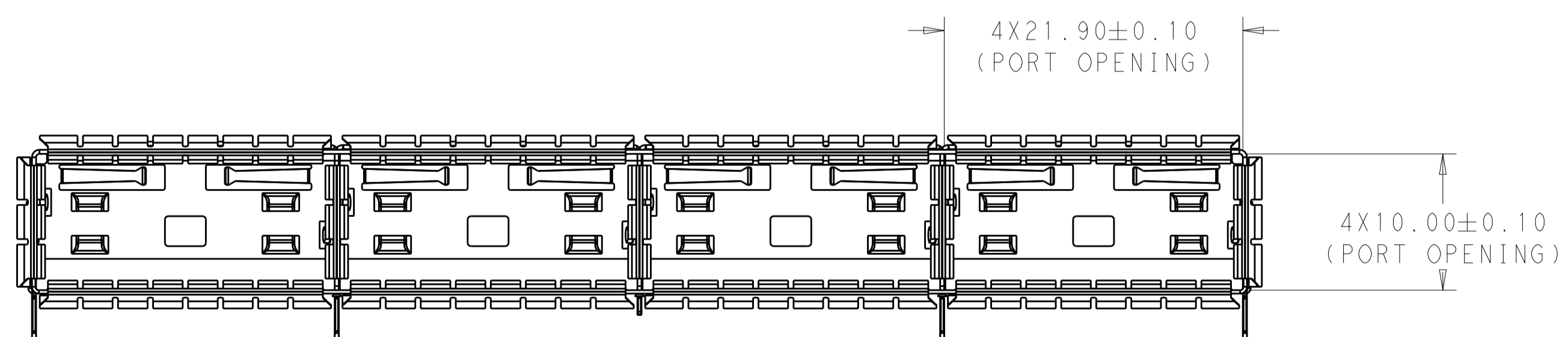


LOC	DIST	REVISIONS			
P	LTN	DESCRIPTION	DATE	DWN	APVD
1		PROPOSED	18DEC2014	CW	SH
3		UPDATE PCB HOLES AND BOTTOM EMI SPRING	24MAR2015	JW	SH
4		REVISE DRAWING	25MAY2015	AD	SH



- △1 CAGE- 0.3MM THICK NICKEL SILVER ALLOY;  
EMI SPRING- COPPER ALLOY;
- △2 FINISH:  
EMI SPRING- 1.27um NICKEL PALTING OVER ALL;
- 3 MATES WITH CFP MSA COMPLIANT TRANSCEIVERS.
- △4 DATUM AND BASIC DIMENSION ESTABLISHED BY CUSTOMER.
- 5 MINIMUM PC BOARD THICKNESS: SIGLE SIDE APPLICATIONS=3.0±0.10mm.  
BELLY TO BELLY APPLICATIONS=3.0mm MIN.
- △6 PADS AND VIAS CHASSIS GROUND;
- △7 REFERENCE APPLICATION SPEC 114-XXXX, HOLE A, FOR  
RECOMMENDED DRILL HOLE DIAMETER AND PLATING THICKNESS.
- △8 DATE CODE MAKED IN APPROXIMATE AREA

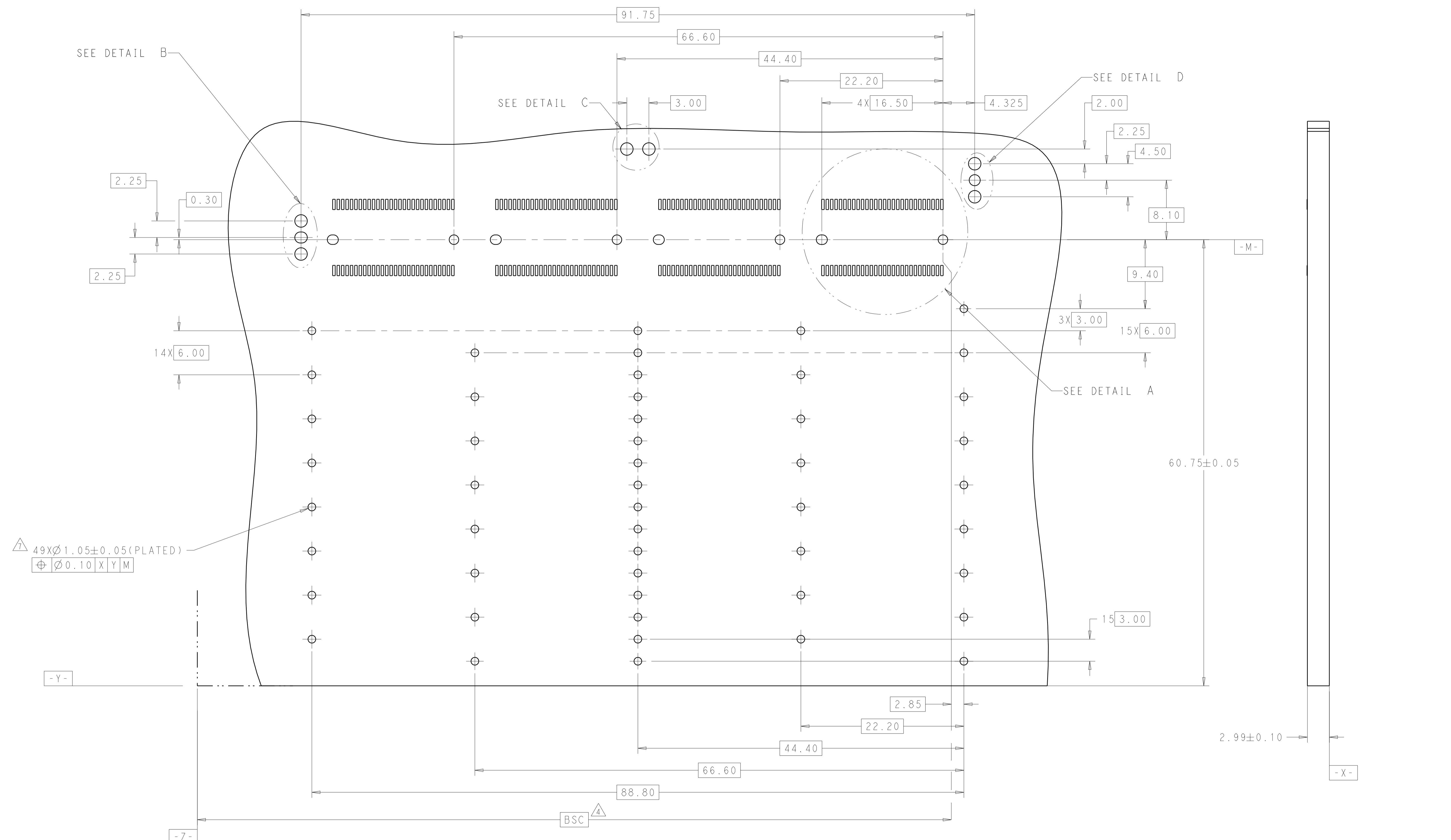


THIS PRINT IS  
**PRELIMINARY**  
UNQUALIFIED PRODUCT  
CONTACT PRODUCT ENGINEERING  
BEFORE USING THIS PRINT

2289496-2  
PART NUMBER

THIS DRAWING IS A CONTROLLED DOCUMENT.		DWN: CHARLES WAN 17DEC2014	<b>PRELIMINARY</b>
DIMENSIONS:		CHK: SEAN HAN 17DEC2014	
TOLERANCES UNLESS OTHERWISE SPECIFIED:		APVD: -	
mm		NAME: GP4 HW4 HARDWARE ASSEMBLY	
0 PLC ±	1 PLC ±0.25	PRODUCT SPEC	SIZE: CAGE CODE: DRAWING NO: RESTRICTED TO
2 PLC ±0.15	3 PLC ±0.10	APPLICATION SPEC	
4 PLC ±	ANGLES ±	WEIGHT	A100779C=2289496
MATERIAL	FINISH	Customer Drawing	SCALE: 4:1 SHEET 1 OF 5 REV 4

LOC	DIST	REVISIONS			
P	LTN	DESCRIPTION	DATE	DWN	APVD
-	-	SEE SHEET 1	-	-	-



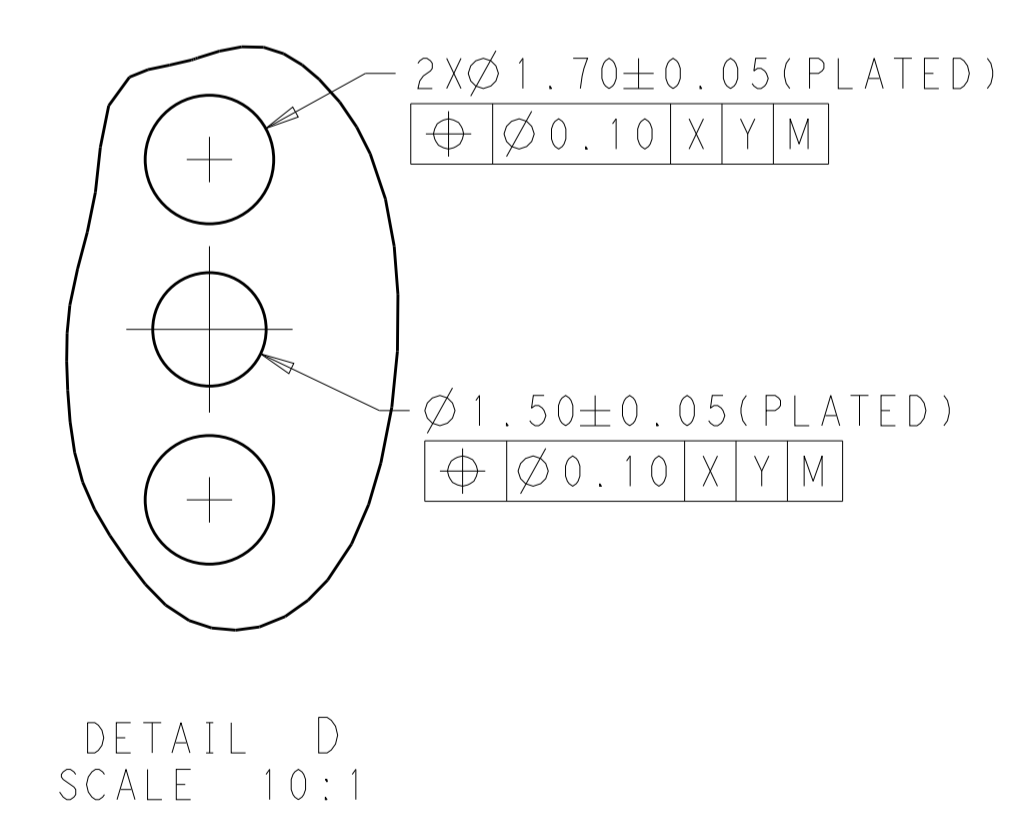
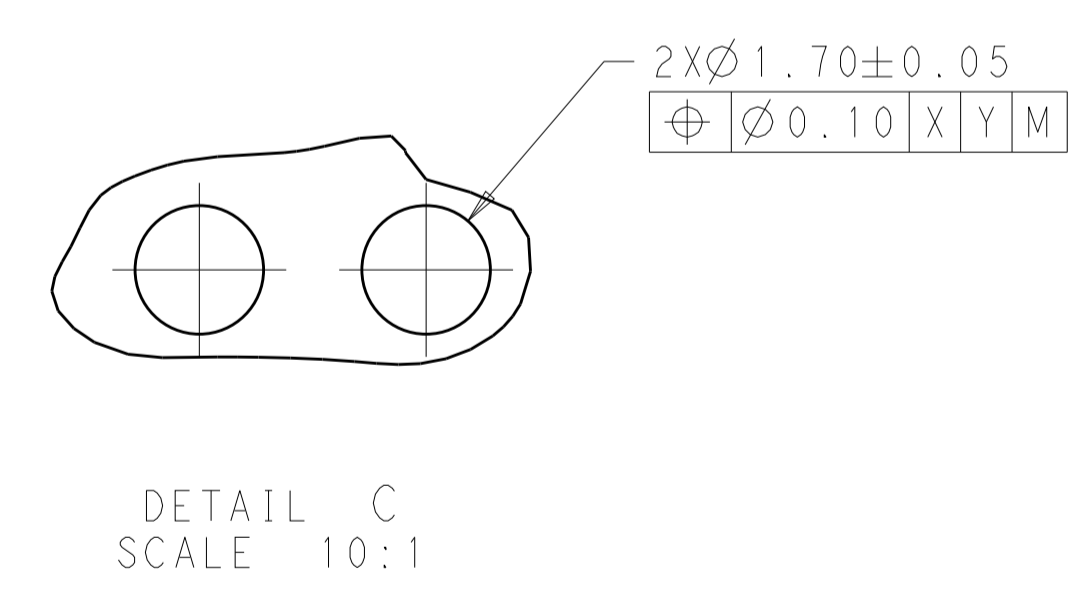
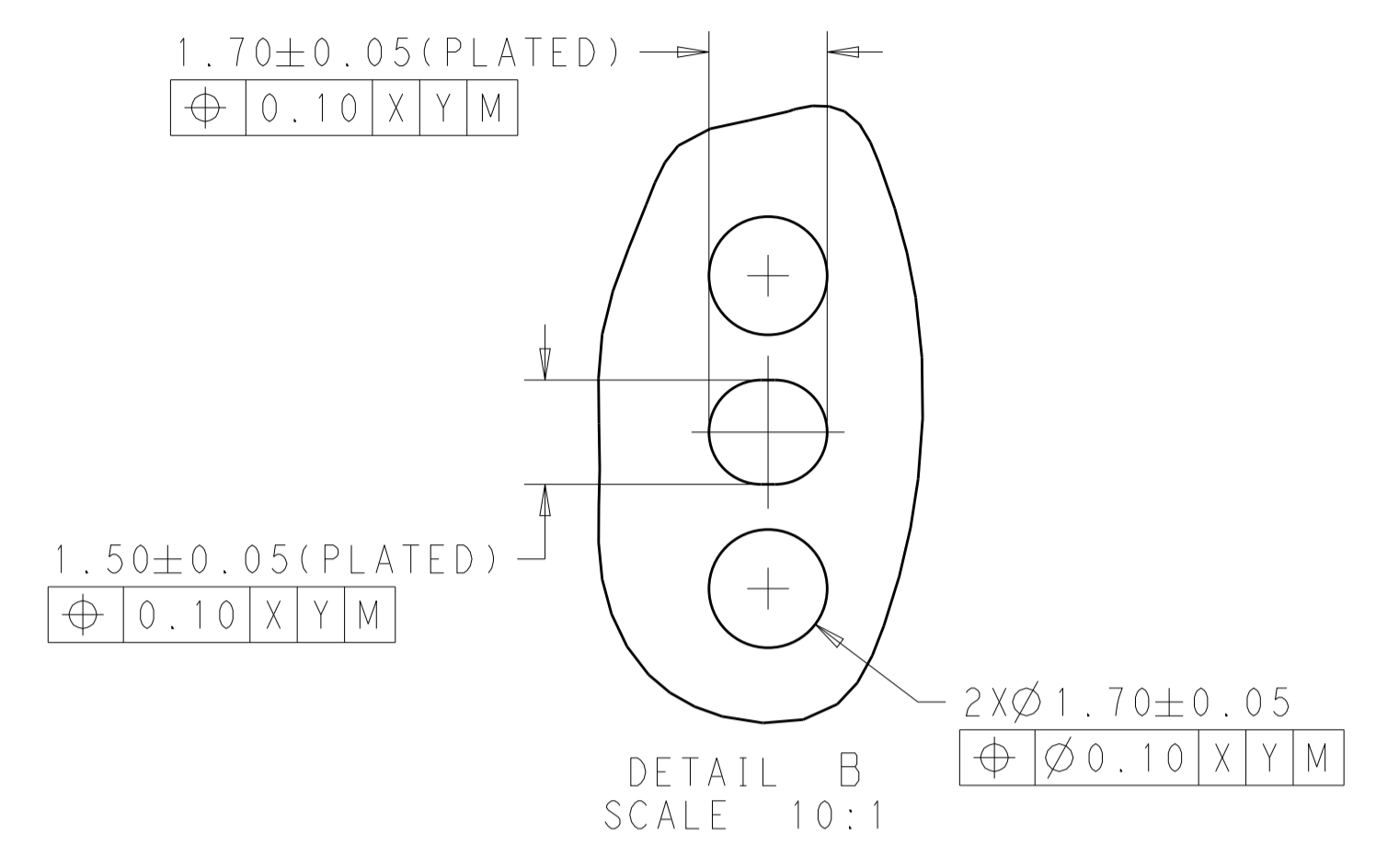
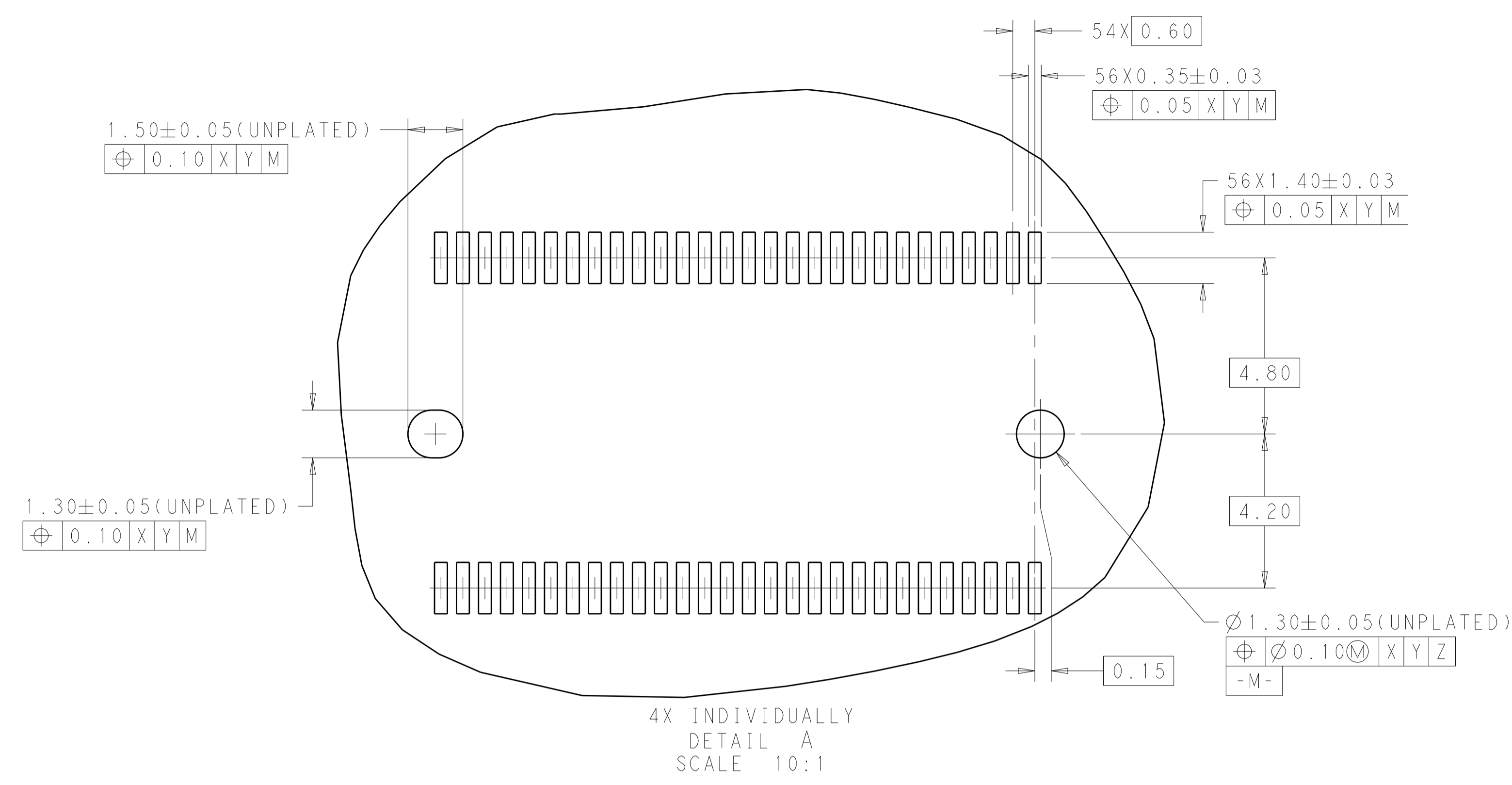
49xØ1.05±0.05(PLATED)  
 Ø0.10 X Y M

RECOMMENDED PCB LAYOUT  
 SINGLE SIDED APPLICATION  
 SCALE 4:1

THIS PRINT IS  
**PRELIMINARY**  
 UNQUALIFIED PRODUCT  
 CONTACT PRODUCT ENGINEERING  
 BEFORE USING THIS PRINT

THIS DRAWING IS A CONTROLLED DOCUMENT.		DWN: CHARLES WAN 17DEC2014	TE Connectivity
DIMENSIONS: mm		CHK: SEAN HAN 17DEC2014	
TOLERANCES UNLESS OTHERWISE SPECIFIED: 0 PLC ±0.25 1 PLC ±0.15 2 PLC ±0.10 3 PLC ±0.10 4 PLC ±0.10 ANGLES FINISH ±0.10		NAME: CFP4 1x4 HARDWARE ASSEMBLY	PRODUCT SPEC
MATERIAL: -		APVD: -	APPLICATION SPEC
FINISH: -		WEIGHT: -	RESTRICTED TO: -
Customer Drawing		SIZE: A1	SCALE: 1:1
CAGE CODE: 2289496		DRAWING NO: 2	SHEET 2 OF 5
REV: 4		REV: 4	REV: 4

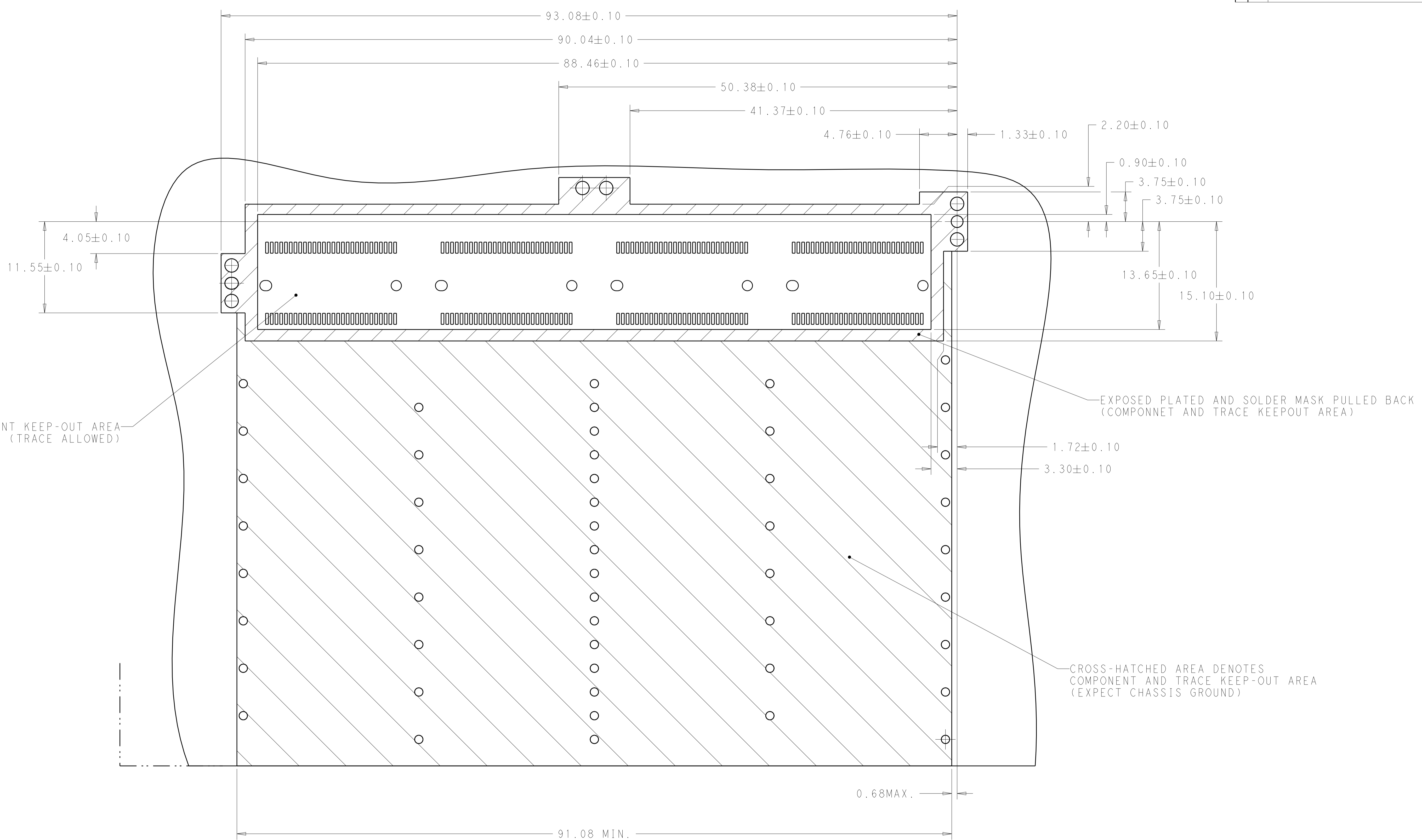
LOC		DIST		REVISIONS			
GP	00	P	LTN	DESCRIPTION	DATE	DMN	APVD
		-		SEE SHEET 1	-	-	-



DESIGN APPROVED THIS PRINT IS  
**PRELIMINARY**  
 TO FIRST PIECE APPROVAL  
 CONTACT PRODUCT ENGINEERING  
 BEFORE USING THIS PRINT

THIS DRAWING IS A CONTROLLED DOCUMENT.		DMN: CHARLES WAN 17DEC2014	TE Connectivity
DIMENSIONS: mm		CHK: SEAN HAN 17DEC2014	
TOLERANCES UNLESS OTHERWISE SPECIFIED: 0 PLC ± 1 PLC ±0.25 2 PLC ±0.15 3 PLC ±0.10 4 PLC ± ANGLES ±°		APVD: -	NAME: CFP4 1x4 HARDWARE ASSEMBLY
MATERIAL: -		FINISH: -	RESTRICTED TO: -
Customer Drawing		SCALE: 1:1	SIZE: A1 CAGE CODE: 00779 DRAWING NO: C=2289496 SHEET 3 OF 5 REV 4

LOC		DIST		REVISIONS			
P	LTN	DATE	DMN	APVD			
GP	00	-	-	-	SEE SHEET 1	-	-

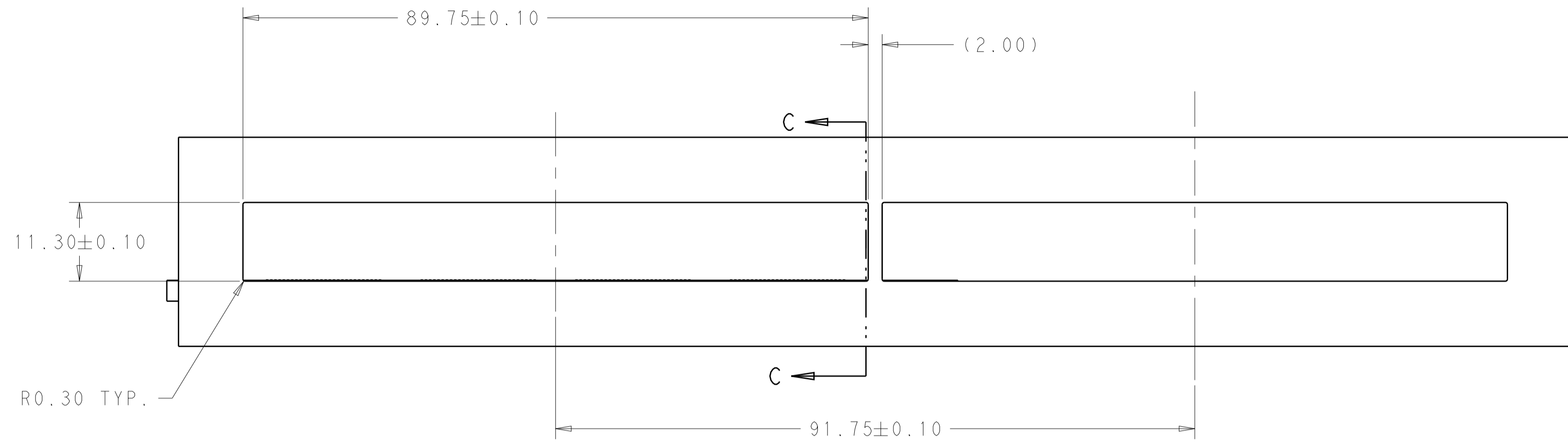


SCALE 4:1

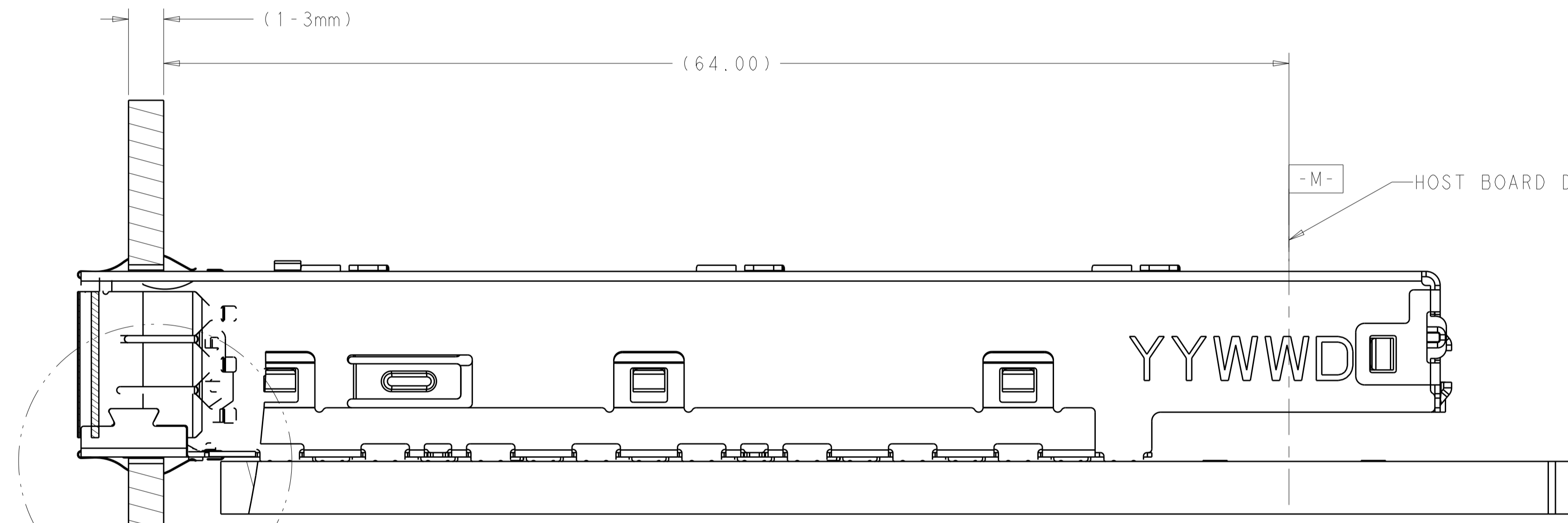
DESIGN APPROVED THIS PRINT IS  
**PRELIMINARY**  
 TO FIRST PIECE APPROVAL  
 CONTACT PRODUCT ENGINEERING  
 BEFORE USING THIS PRINT

THIS DRAWING IS A CONTROLLED DOCUMENT.		DMN	17DEC2014	TE Connectivity
		CHK	CHARLES WAN	
		CHK	SEAN HAN	NAME
		APVD	-	CFP4 1x4 HARDWARE ASSEMBLY
DIMENSIONS:		TOLERANCES UNLESS OTHERWISE SPECIFIED:		PRODUCT SPEC
mm	0 PLC	±	-	APPLICATION SPEC
	1 PLC	±0.25	-	SIZE
	2 PLC	±0.15	-	CAGE CODE
	3 PLC	±0.10	-	DRAWING NO
	4 PLC	±	-	RESTRICTED TO
	ANGLES	±	-	A100779
MATERIAL	FINISH	±	-	©=2289496
				Customer Drawing
		WEIGHT	-	SCALE
				1:1
				SHEET
				4
				OF
				5
				REV
				4

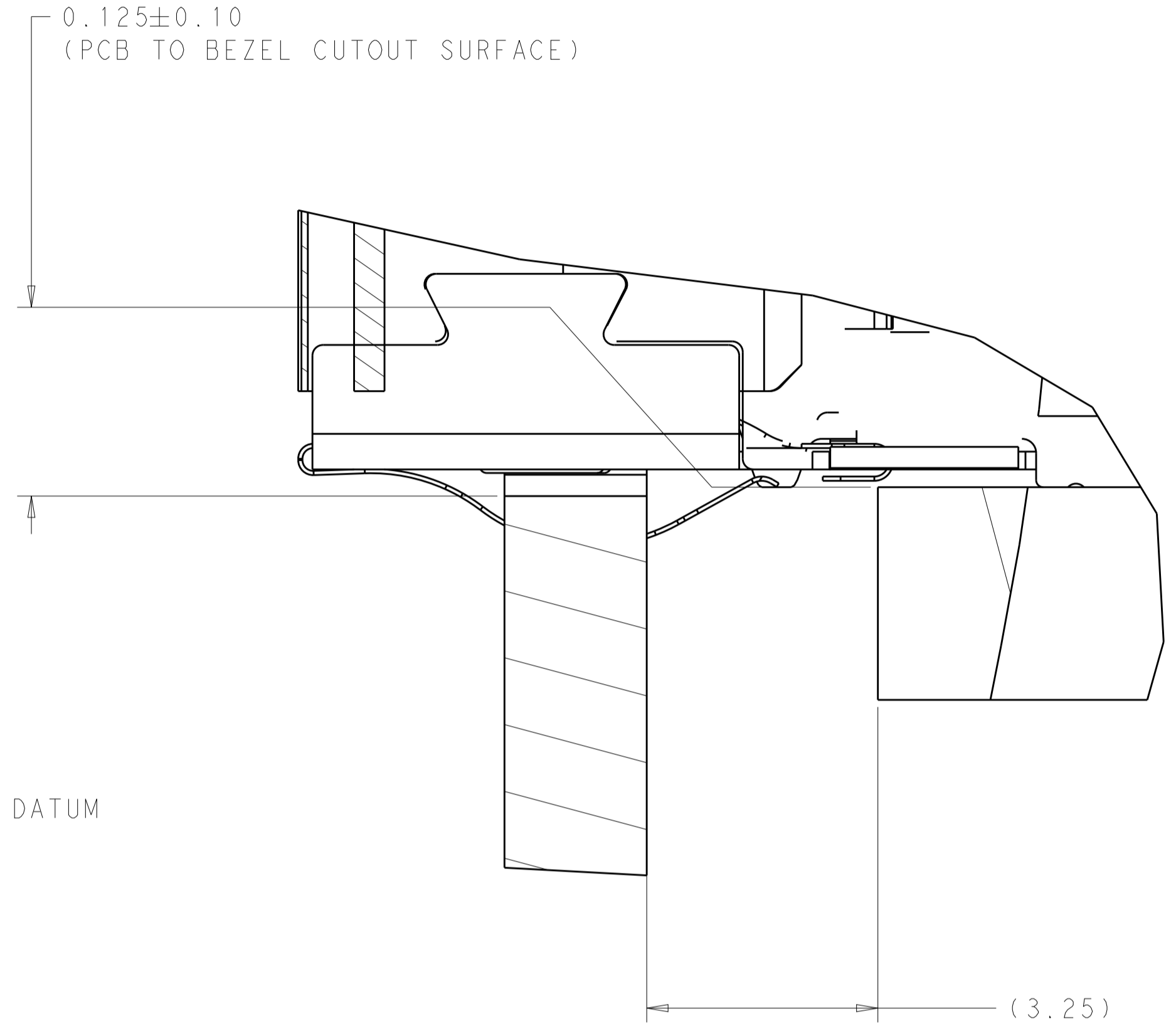
LOC	DIST	REVISIONS			
P	LTN	DESCRIPTION	DATE	DMN	APVD
GP	00	SEE SHEET 1	-	-	-



SCALE 2:1



SECTION C-C  
SCALE 5:1



DETAIL E  
SCALE 15:1

SEE DETAIL E

DESIGN APPROVED THIS PRINT IS  
**PRELIMINARY**  
 TO FIRST PIECE APPROVAL  
 CONTACT PRODUCT ENGINEERING  
 BEFORE USING THIS PRINT

THIS DRAWING IS A CONTROLLED DOCUMENT.		OWN: CHARLES WAN 17DEC2014	TE Connectivity
DIMENSIONS: mm		CHK: SEAN HAN 17DEC2014	
TOLERANCES UNLESS OTHERWISE SPECIFIED:		APVD: -	NAME: CFP4 1x4 HARDWARE ASSEMBLY
0 PLC ±	1 PLC ±0.25	PRODUCT SPEC	SIZE: CAGE CODE DRAWING NO
2 PLC ±0.15	3 PLC ±0.10	APPLICATION SPEC	RESTRICTED TO
4 PLC ±	ANGLES ±	WEIGHT	A100779C=2289496
MATERIAL	FINISH	Customer Drawing	SCALE 1:1 SHEET 5 OF 5 REV 4