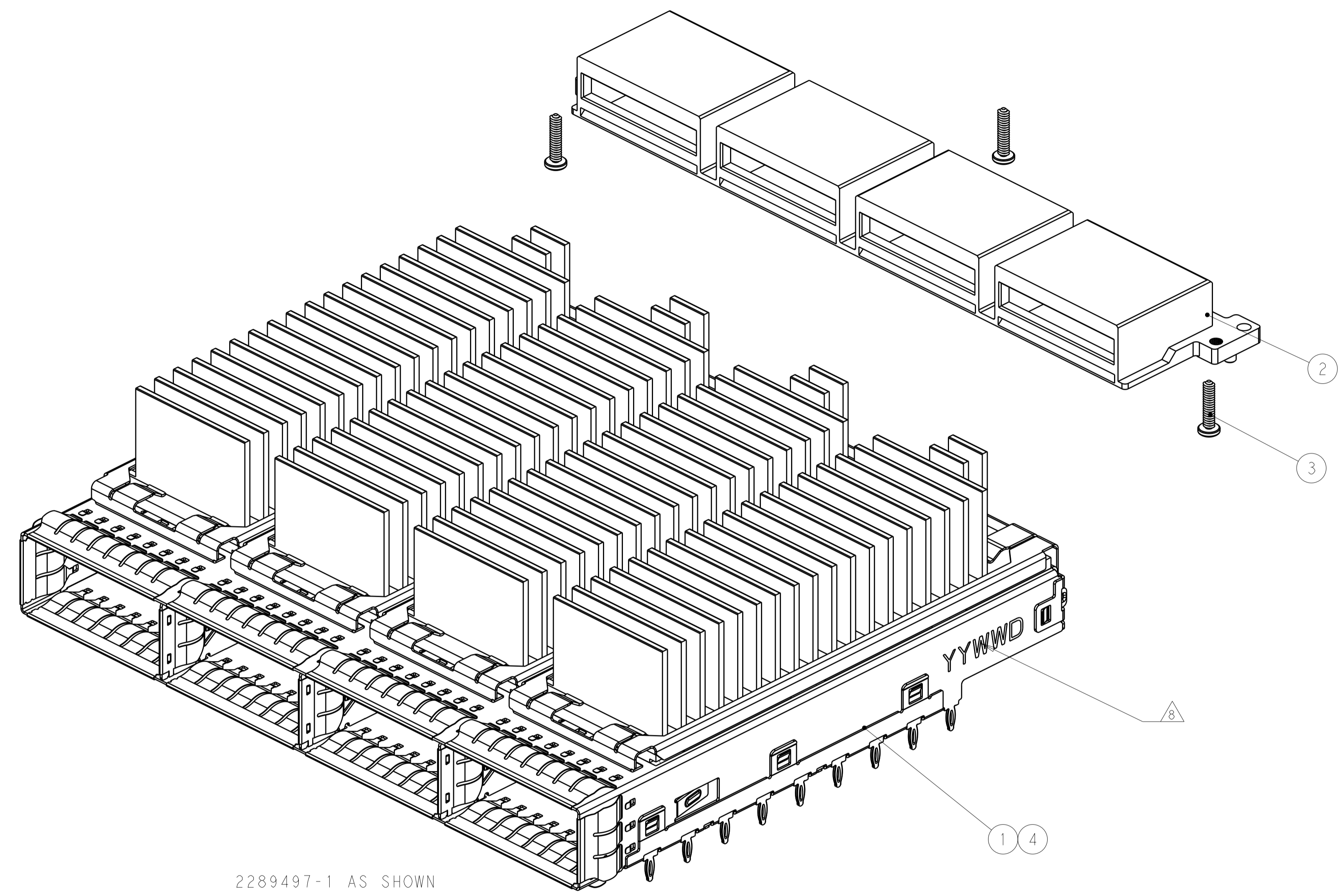


LOC	DIST	REVISIONS			
GP	00	REV	DATE	BY	CHKD
		1	14DEC2014	CW	SH
		2	29JUN2015	TX	SH
		3	03JUL2015	TX	SH
		5	10JAN2017	TX	SH

- ⚠ MATERIAL:
 CAGE- 0.3MM THICK NICKEL SILVER ALLOY;
 EMI SPRING- COPPER ALLOY;
 HEAT SINK CLIP- STAINLESS STEEL;
 HEAT SINK- ALUMINUM ALLOY;
 RECEPTACLE COVER- ZINC ALLOY;
- ⚠ FINISH:
 EMI SPRING- 1.27um NICKEL PLATING OVER ALL;
 HEAT SINK- BLACK ANODIZED COATING;
 RECEPTACLE COVER- 1.27um MIN NICKEL PLATING OVER COPPER PLATING;
 HEAT SINK CLIP- PASSIVATE;
- 3 MATES WITH CFP MSA COMPLIANT TRANSCEIVERS.
- ⚠ DATUM AND BASIC DIMENSION ESTABLISHED BY CUSTOMER.
- 5 MINIMUM PC BOARD THICKNESS: SIGLE SIDE APPLICATIONS=2.99±0.63mm.
- ⚠ PADS AND VIAS CHASSIS GROUND;
- ⚠ REFERENCE APPLICATION SPEC 114-XXXX,HOLE A, FOR RECOMMENDED DRILL HOLE DIAMETER AND PLATING THICKNESS.
- ⚠ DATE CODE MADE IN APPROXIMATE AREA



2289497-1 AS SHOWN

THIS PRINT IS
PRELIMINARY
 UNQUALIFIED PRODUCT
 CONTACT PRODUCT ENGINEERING
 BEFORE USING THIS PRINT

QTY	UNIT	DESCRIPTION	PART NUMBER	ITEM
1	-	HARD WARE KIT,CFP4 1X4	2293290-3	4
-	1	HARD WARE KIT,CFP4 1X4	2293290-2	
3	3	SCREW	2292789-1	3
1	1	RECEPTACLE COVER ASSEMBLY	2289498-1	2
-	-	CAGE ASSEMBLY, CFP4 1X4, W/ HEAT SINK	2293290-1	1
-3	-2	PART NUMBER		

THIS DRAWING IS A CONTROLLED DOCUMENT. OWN: CHARLES WAN, 17DEC2014
 CHK: SEAN HAN, 17DEC2014
 APVB: -

DIMENSIONS: mm
 TOLERANCES UNLESS OTHERWISE SPECIFIED:
 0 PLC ±
 1 PLC ±0.25
 2 PLC ±0.13
 3 PLC ±
 4 PLC ±
 ANGLES ±
 FINISH

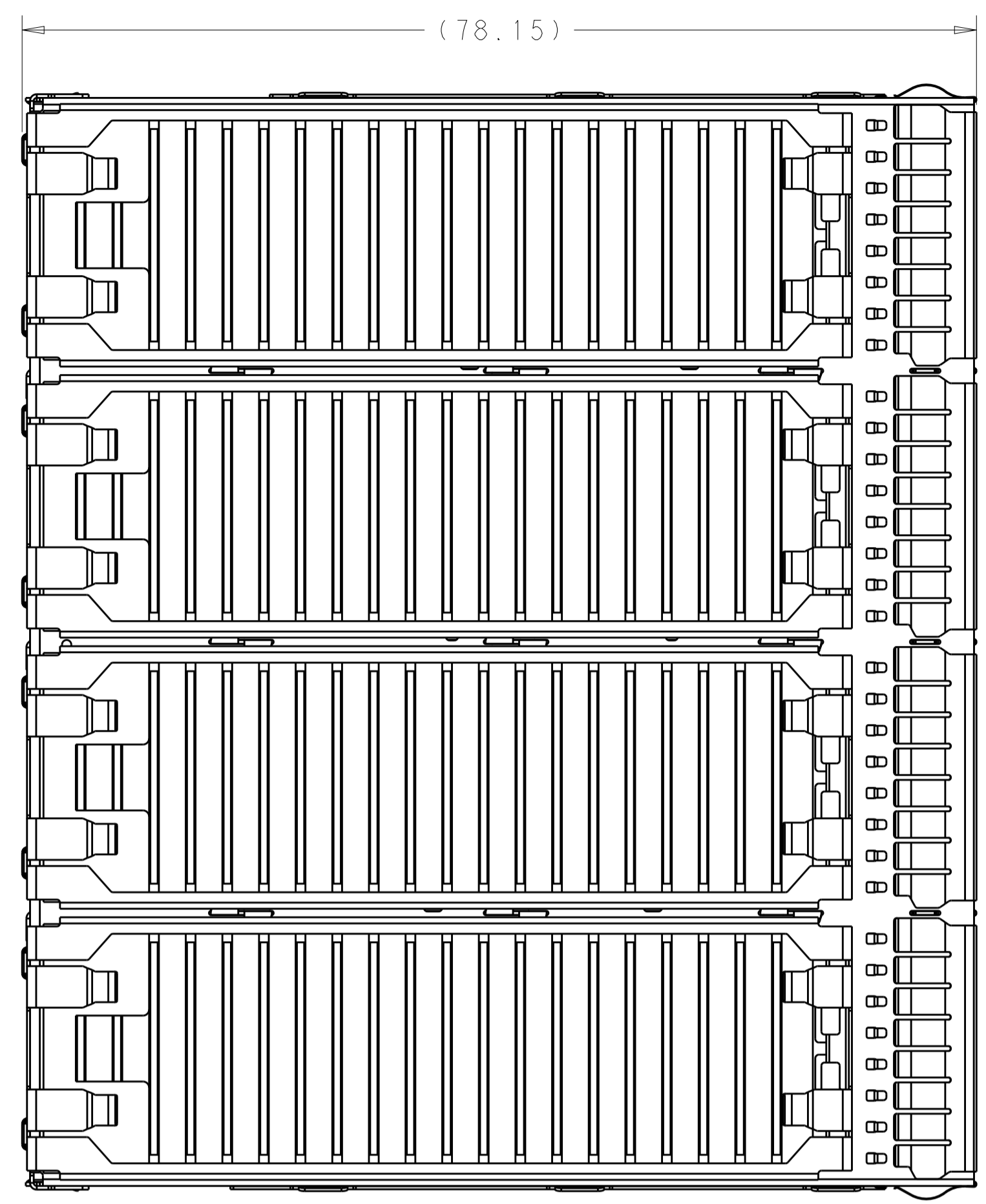
PRODUCT SPEC: -
 APPLICATION SPEC: -
 WEIGHT: -
 Customer Drawing

SIZE: A1
 CAGE CODE: 00779
 DRAWING NO: 2289497
 RESTRICTED TO: -

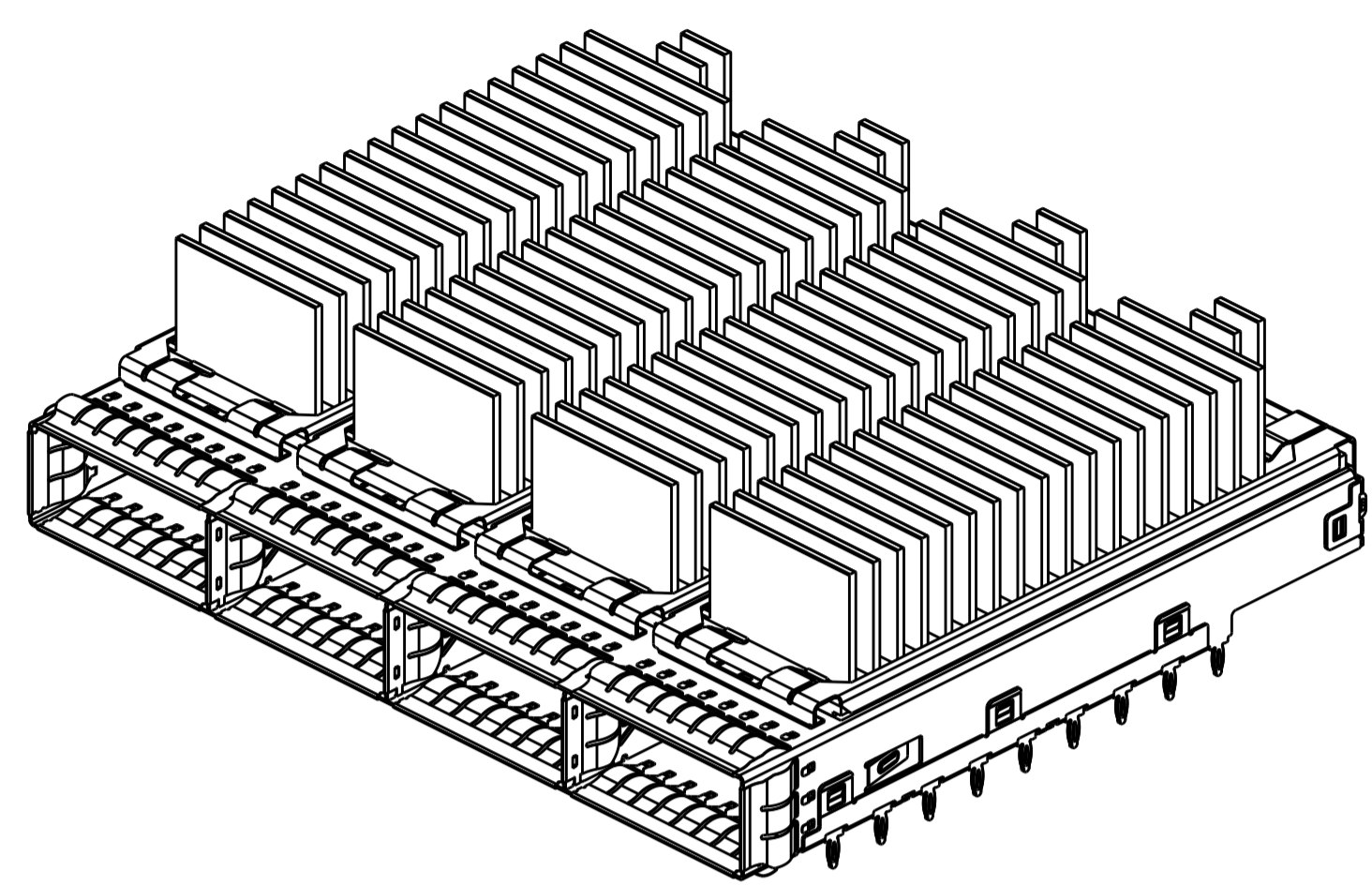
SCALE: 4:1
 SHEET: 1 OF 7
 REV: 5

PRELIMINARY

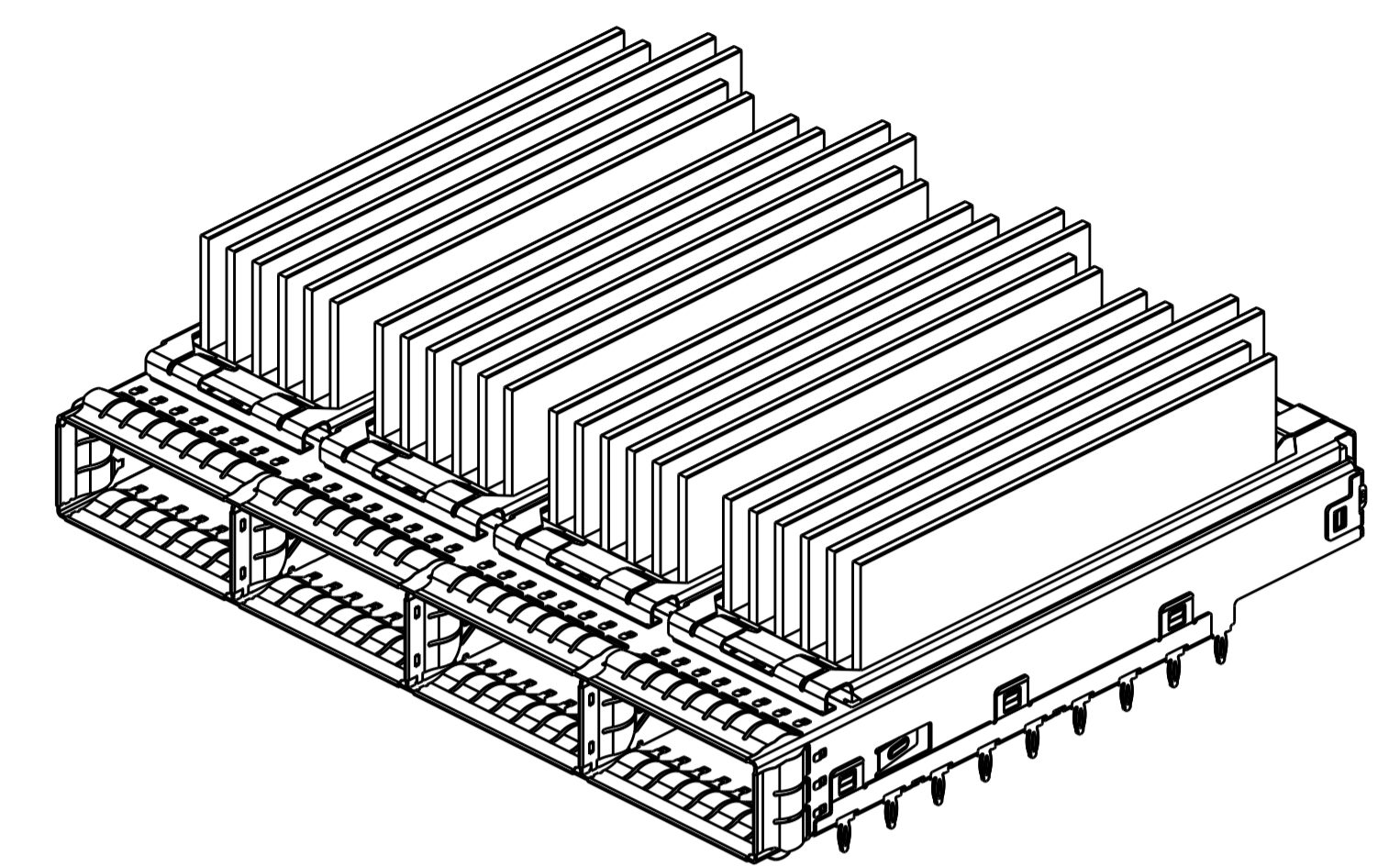
LOC		DIST		REVISIONS			
P	LTN	DESCRIPTION	DATE	OWN	APVD		
-	-	SEE SHEET 1	-	-	-		



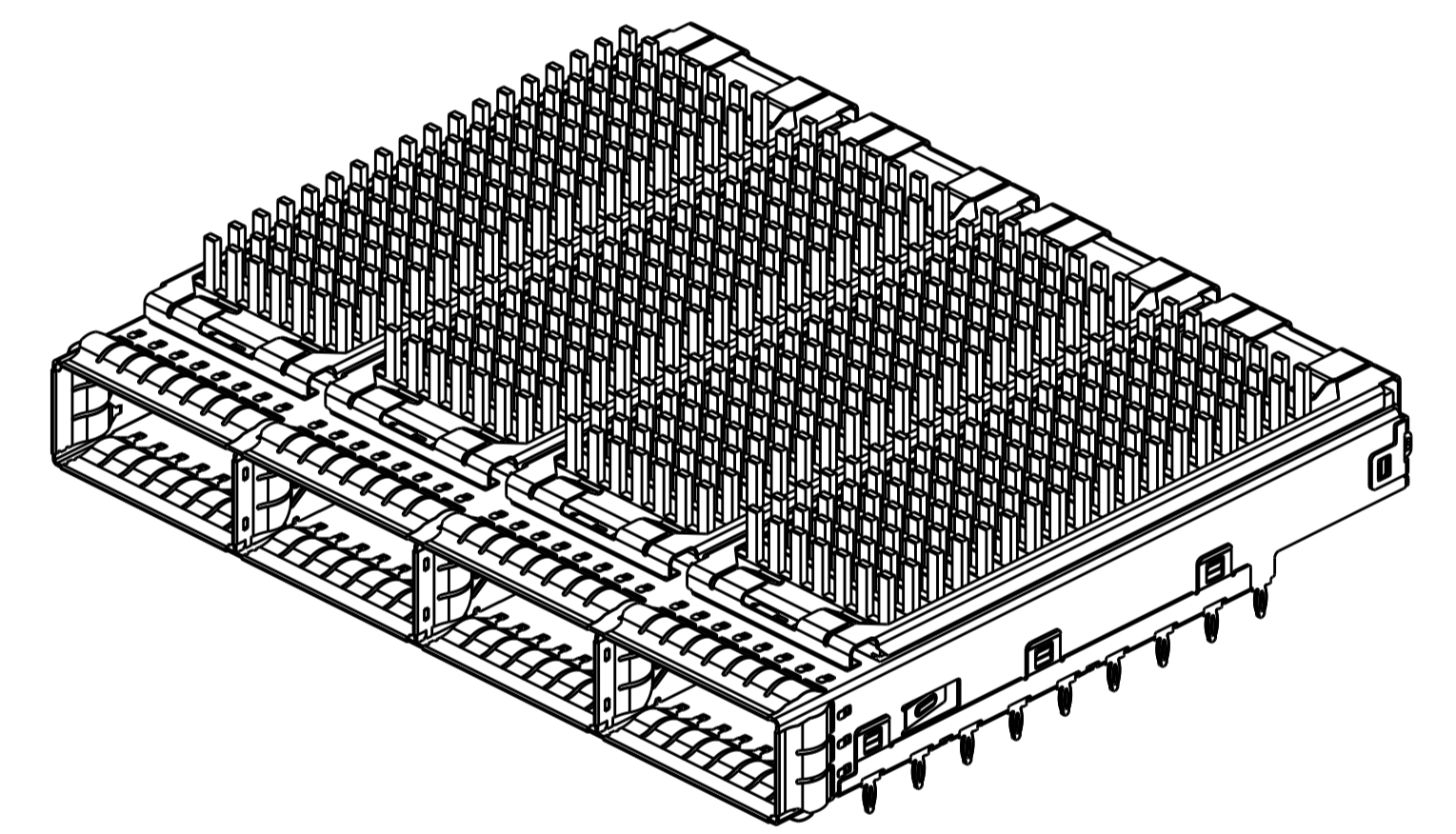
2293290-1 AS SHOWN



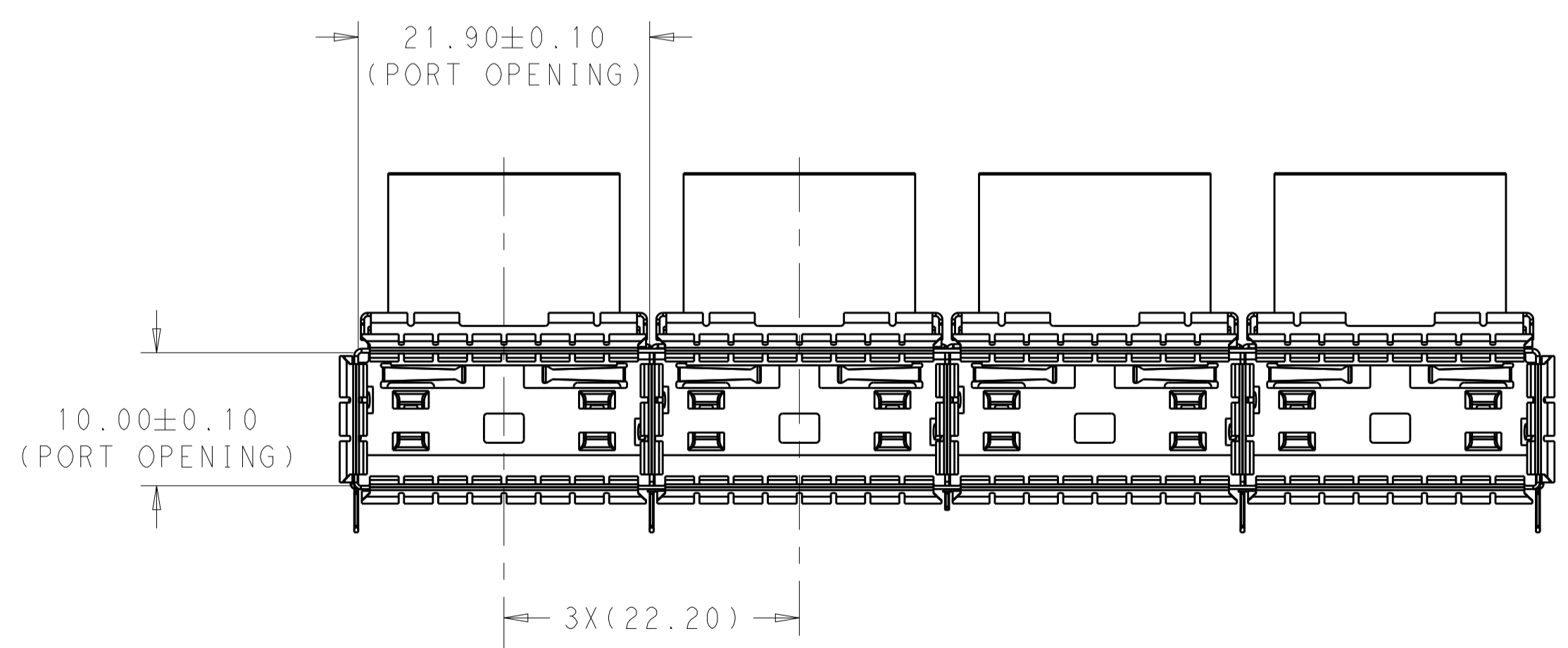
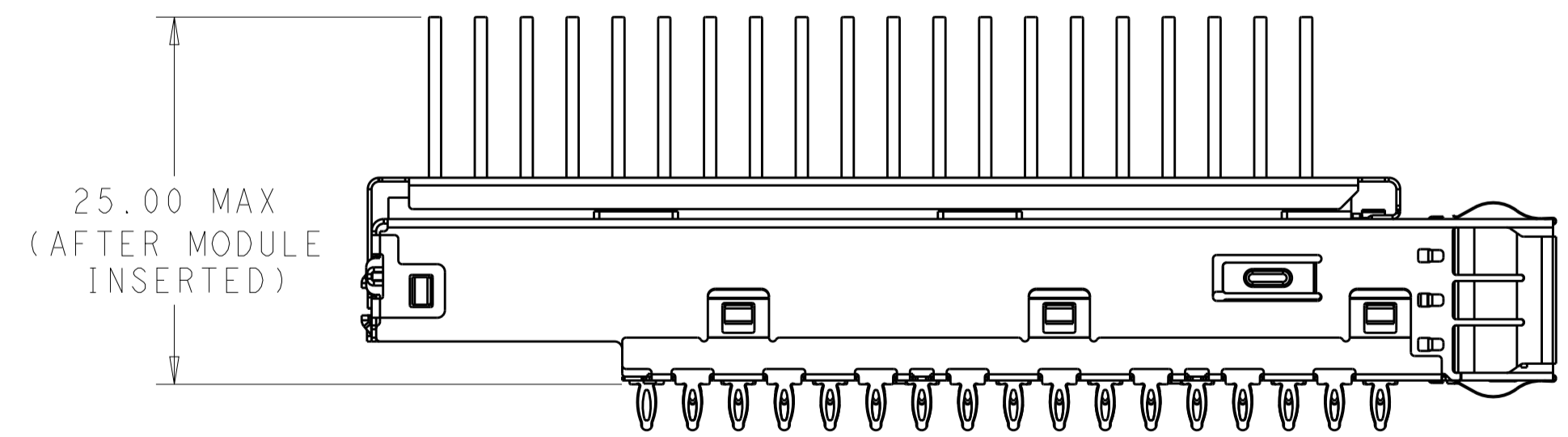
2293290-1 AS SHOWN
(SIDE TO SIDE AIRFLOW HEATSINK)



2293290-2 AS SHOWN
(FRONT TO BACK AIRFLOW HEATSINK)



2293290-3 AS SHOWN
(PIN TYPE HEATSINK)

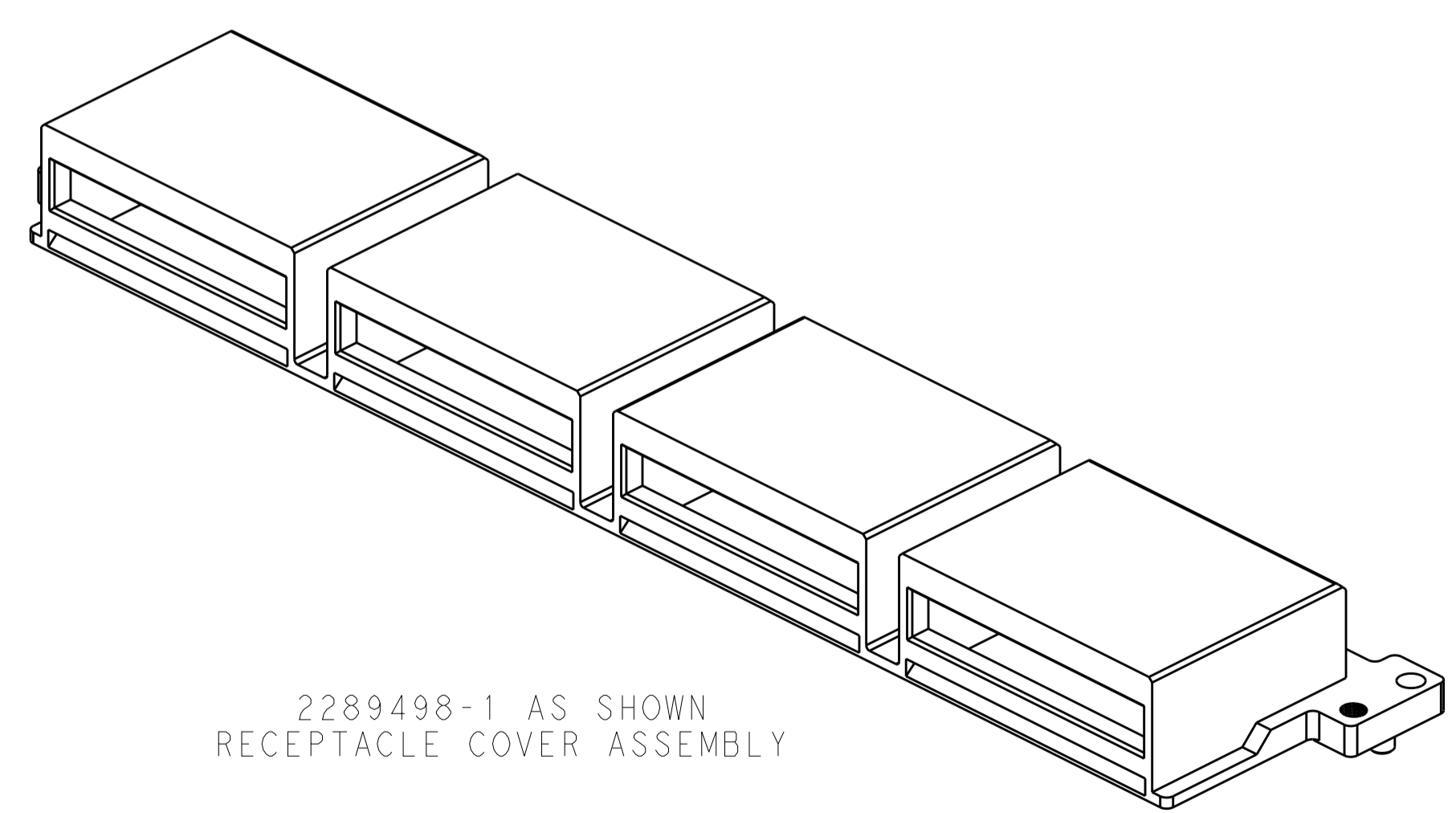
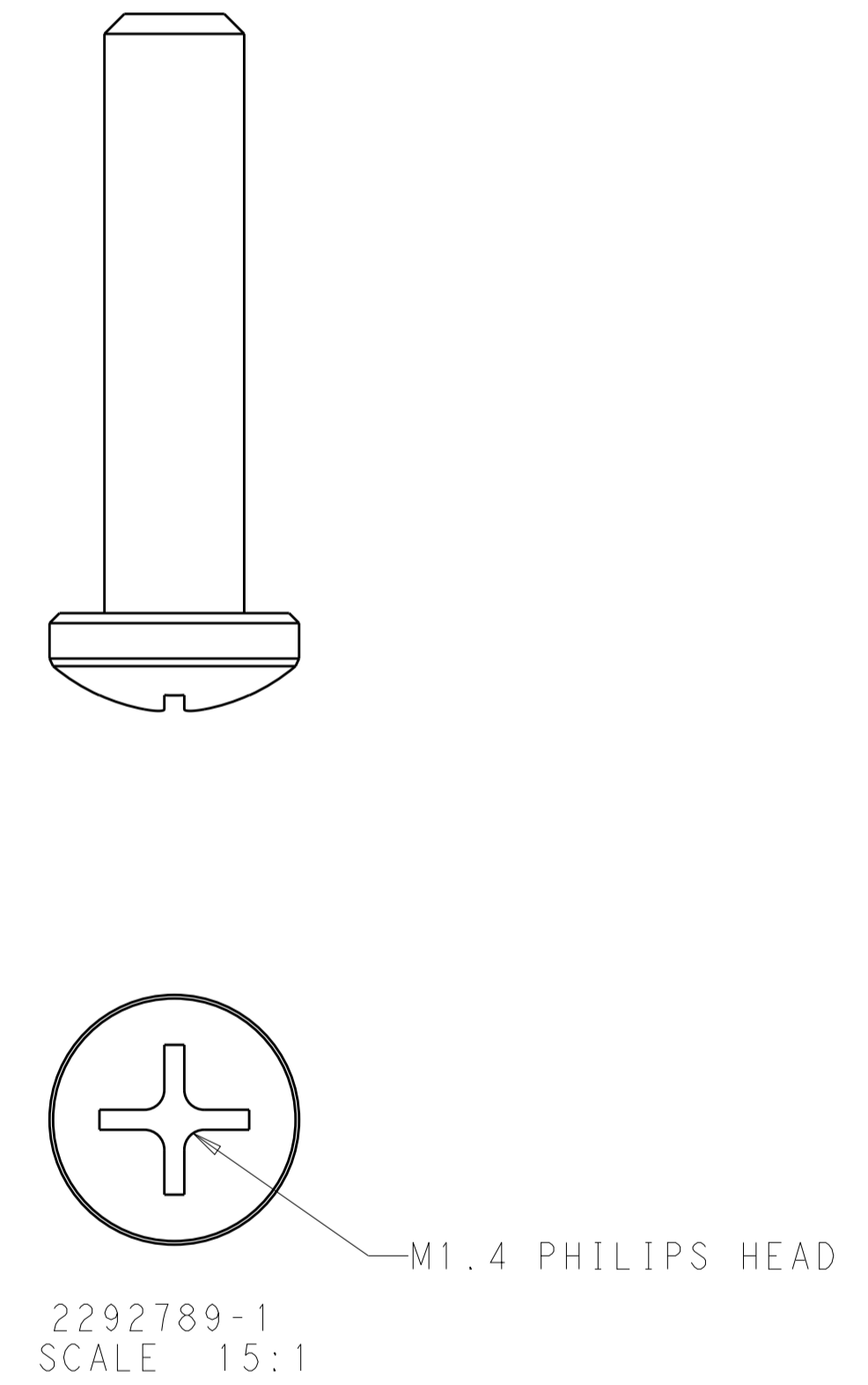
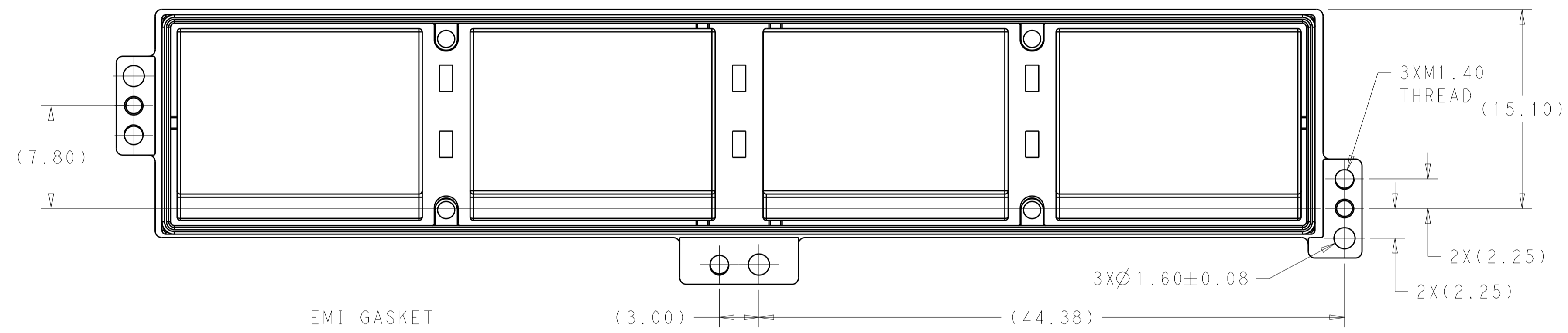
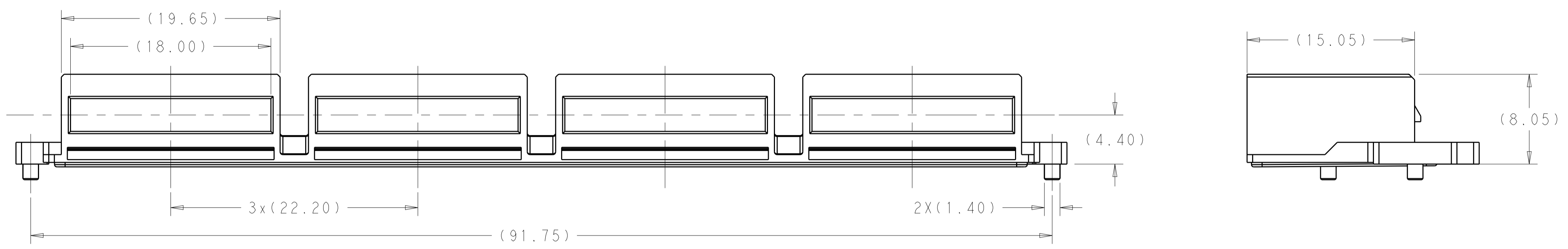


18.5MAX.	2293290-3
25.0MAX.	2293290-2
25.0MAX.	2293290-1
DIM. A	PART NUMBER

DESIGN APPROVED THIS PRINT IS
PRELIMINARY
 TO FIRST PIECE APPROVAL
 CONTACT PRODUCT ENGINEERING
 BEFORE USING THIS PRINT

THIS DRAWING IS A CONTROLLED DOCUMENT.		OWN: CHARLES WAN 17DEC2014	TE Connectivity
DIMENSIONS: mm		CHK: SEAN HAN 17DEC2014	
TOLERANCES UNLESS OTHERWISE SPECIFIED:		APVD:	NAME: CFP4 1x4 HARDWARE ASSEMBLY
0 PLC ±	1 PLC ±0.25	PRODUCT SPEC	SIZE: CAGE CODE DRAWING NO
2 PLC ±0.13	3 PLC ±	APPLICATION SPEC	RESTRICTED TO
4 PLC ±	ANGLES ±	WEIGHT	A100779C=2289497
MATERIAL	FINISH	Customer Drawing	SCALE: 4:1 SHEET 2 OF 7 REV 5

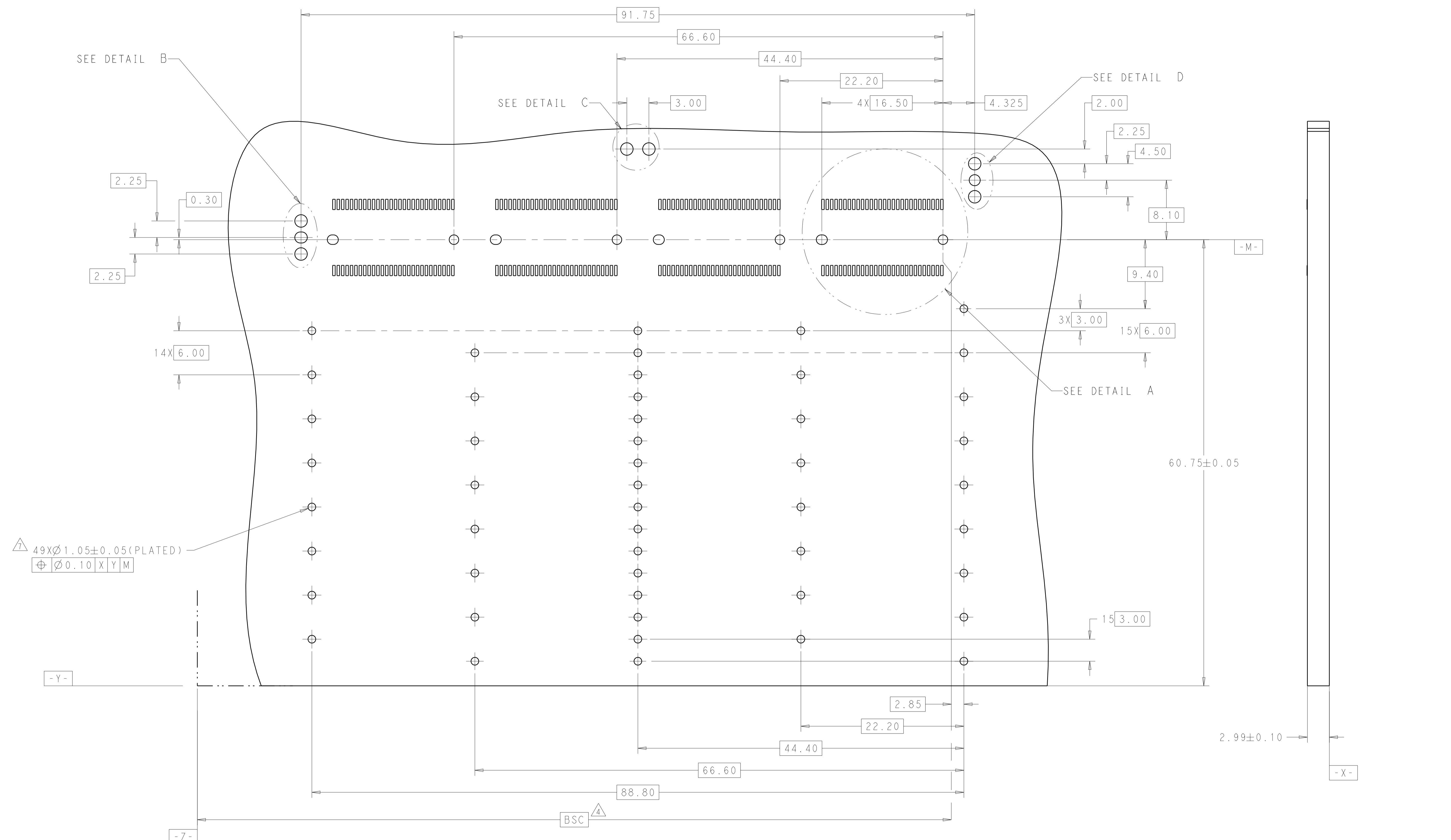
LOC	DIST	REVISIONS			
P	LTH	DESCRIPTION	DATE	DMN	APVD
-	-	SEE SHEET 1	-	-	-



DESIGN APPROVED THIS PRINT IS
PRELIMINARY
 TO FIRST PIECE APPROVAL
 CONTACT PRODUCT ENGINEERING
 BEFORE USING THIS PRINT

THIS DRAWING IS A CONTROLLED DOCUMENT.		DMN: CHARLES WAN 17DEC2014 CHK: SEAN HAN 17DEC2014	TE Connectivity	
DIMENSIONS:	TOLERANCES UNLESS OTHERWISE SPECIFIED:	APVD:	NAME:	CFP4 1x4 HARDWARE ASSEMBLY
mm	0 PLC ± 1 PLC ±0.25 2 PLC ±0.13 3 PLC ± 4 PLC ±	PRODUCT SPEC:	APPLICATION SPEC:	
MATERIAL:	FINISH:	WEIGHT:	SIZE: CAGE CODE: DRAWING NO:	RESTRICTED TO:
-	-	-	A100779C=2289497	-
Customer Drawing			SCALE: 4:1	SHEET 3 OF 7 REV 5

LOC		DIST		REVISIONS			
P	LTN	DESCRIPTION	DATE	DWN	APVD		
-	-	SEE SHEET 1	-	-	-		



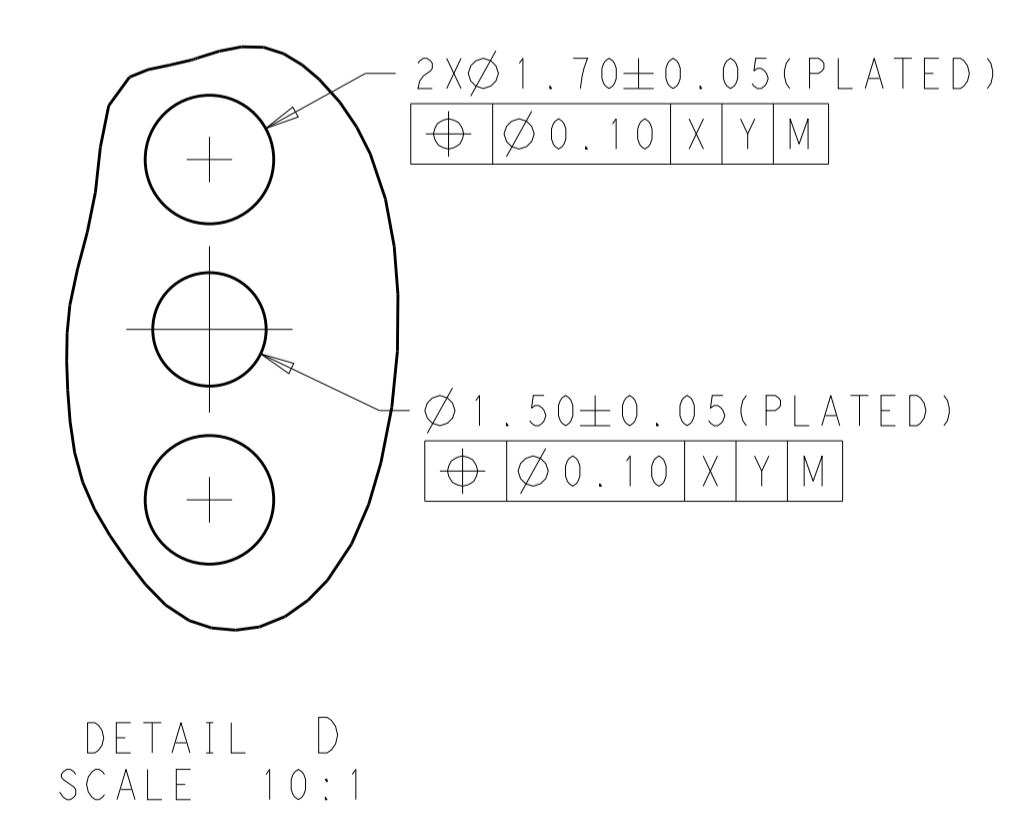
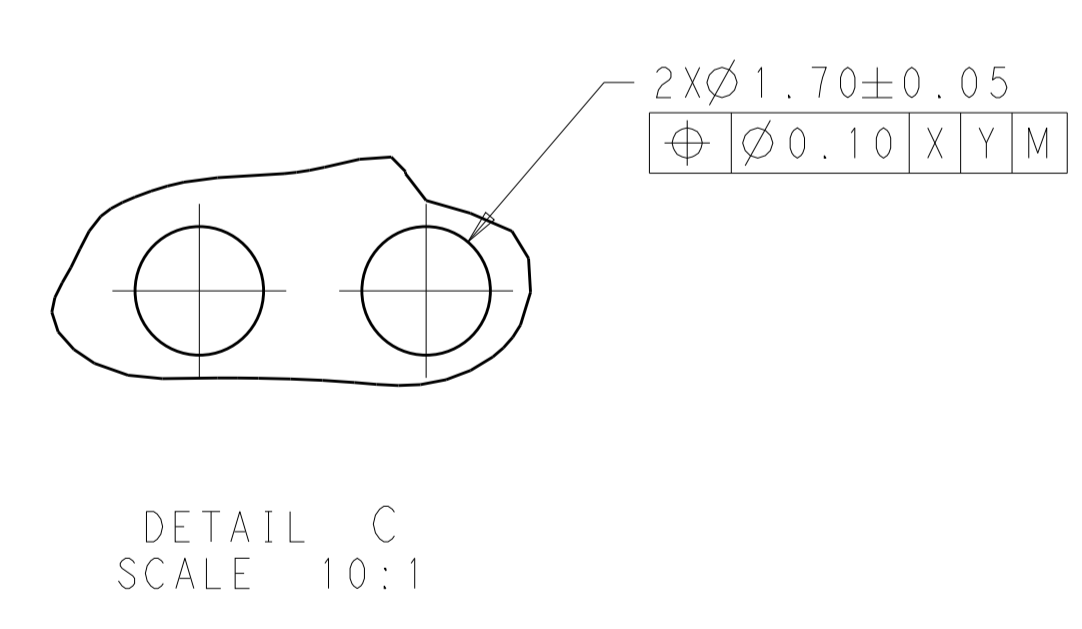
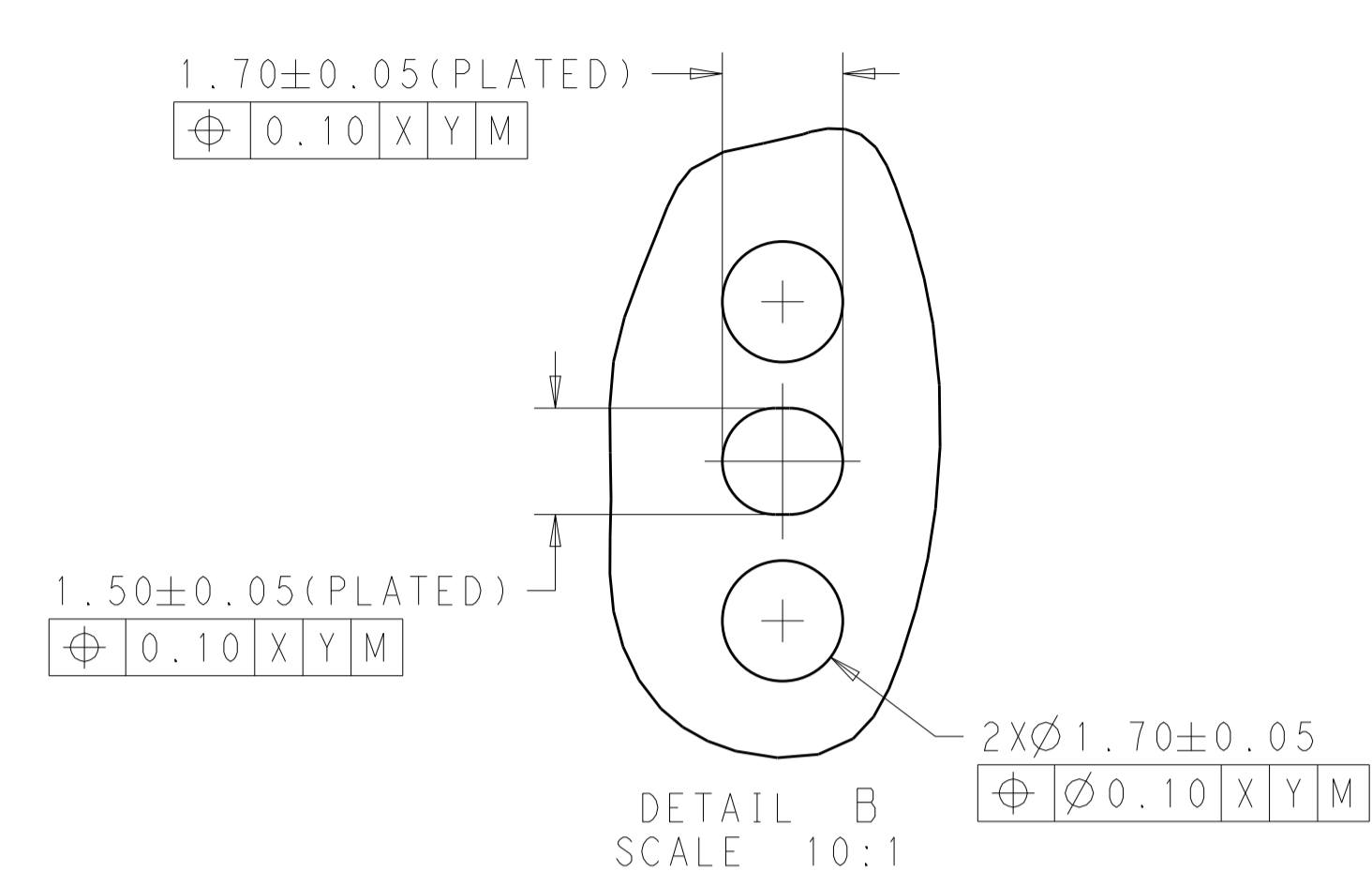
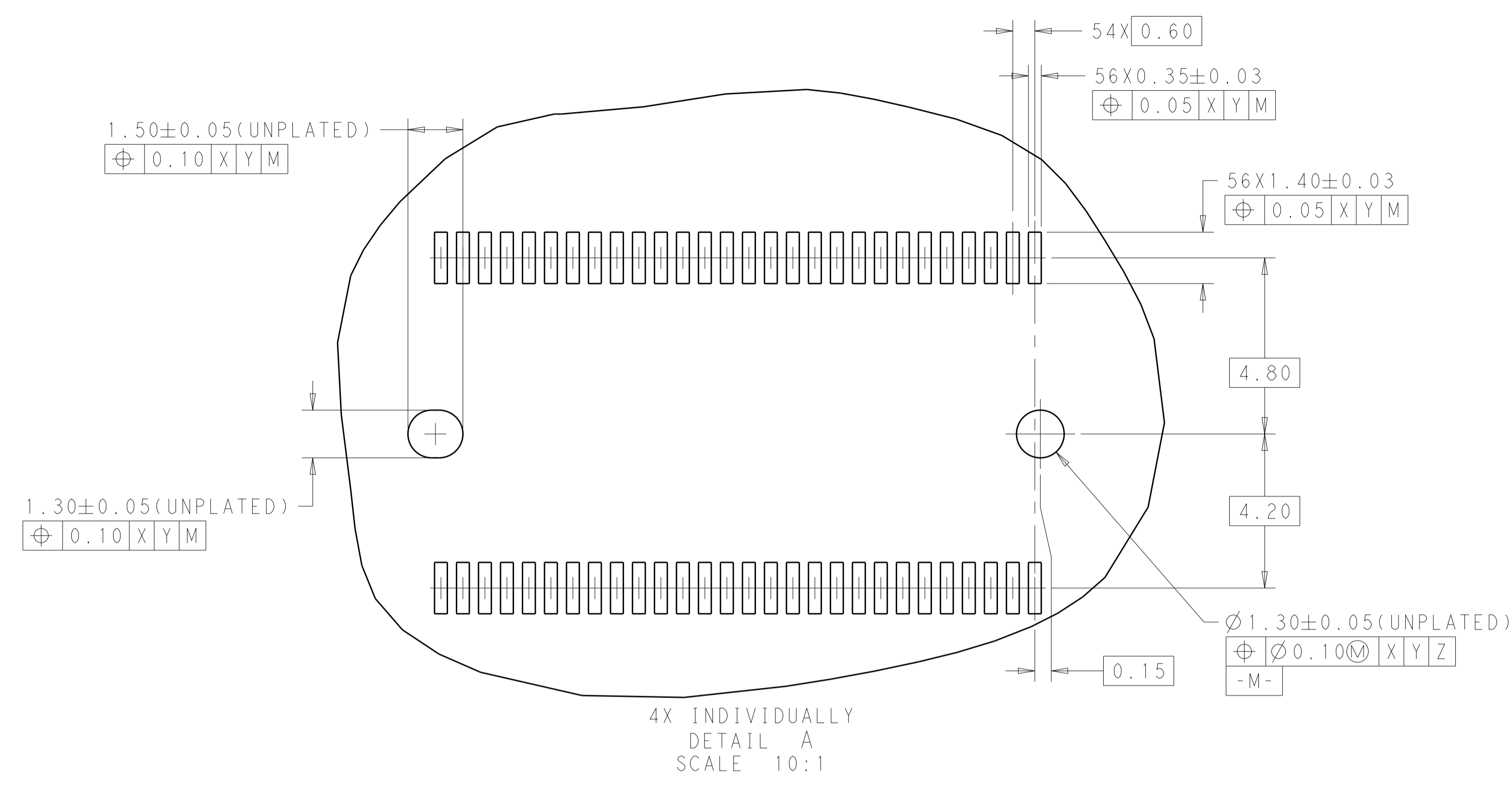
49xØ1.05±0.05(PLATED)
 Ø0.10 X Y M

RECOMMENDED PCB LAYOUT
 SINGLE SIDED APPLICATION
 SCALE 4:1

THIS PRINT IS
PRELIMINARY
 UNQUALIFIED PRODUCT
 CONTACT PRODUCT ENGINEERING
 BEFORE USING THIS PRINT

THIS DRAWING IS A CONTROLLED DOCUMENT.		DWN: CHARLES WAN 17DEC2014	STE TE Connectivity	
DIMENSIONS: mm		CHK: SEAN HAN 17DEC2014	NAME: CFP4 1x4 HARDWARE ASSEMBLY	
TOLERANCES UNLESS OTHERWISE SPECIFIED:		APVD: -	PRODUCT SPEC: -	
0 PLC ±0.25		APPLICATION SPEC: -		
2 PLC ±0.13		SIZE: A1		
3 PLC ±		CAGE CODE: 2289497		
4 PLC ±		DRAWING NO: 2289497		
ANGLES ±		RESTRICTED TO: -		
FINISH: -		WEIGHT: -		
MATERIAL: -		Customer Drawing		
		SCALE: 1:1 SHEET 4 OF 7 REV 5		

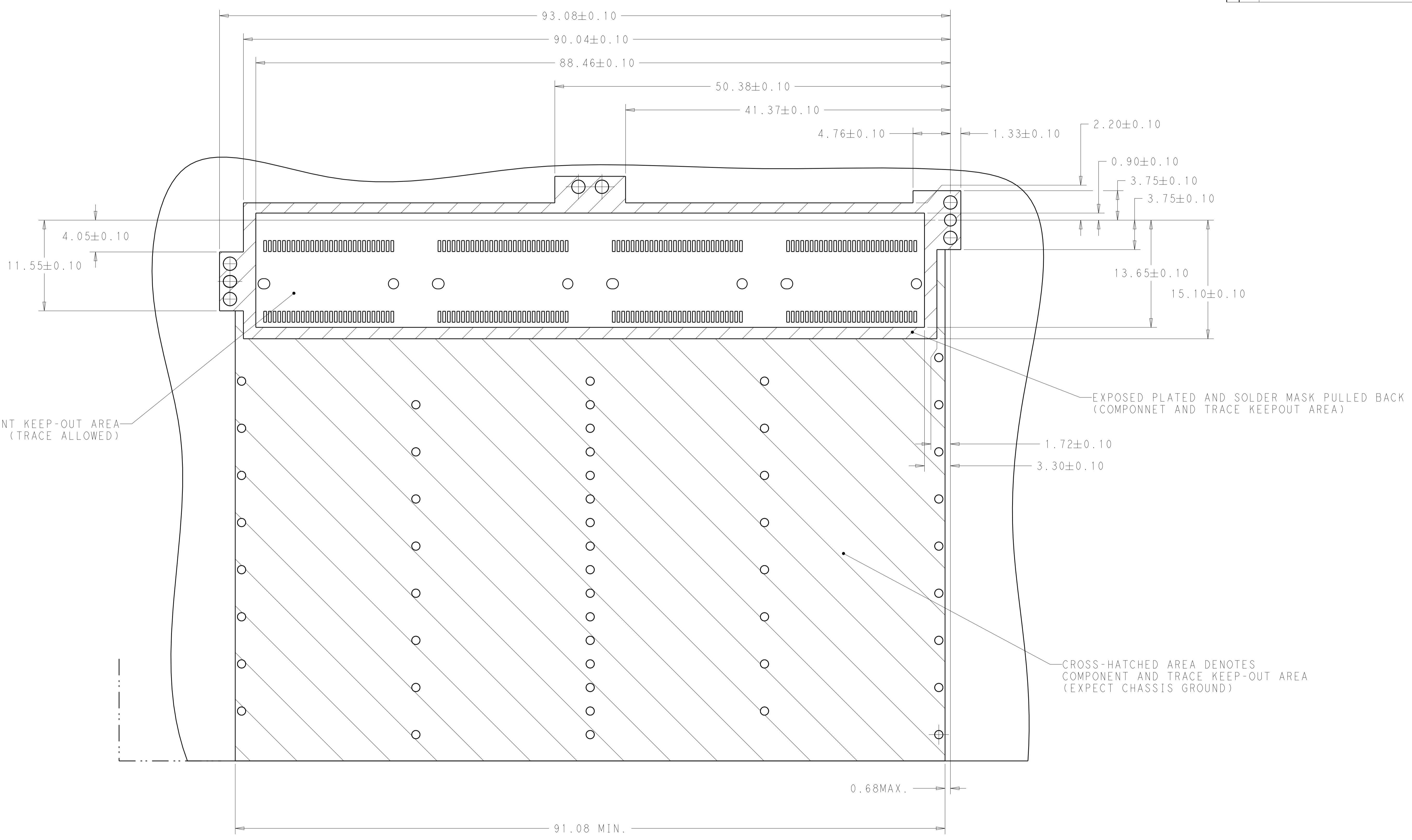
LOC		DIST		REVISIONS			
P	LTN	DESCRIPTION	DATE	DWN	APVD		
-	-	SEE SHEET 1	-	-	-		



DESIGN APPROVED THIS PRINT IS
PRELIMINARY
 TO FIRST PIECE APPROVAL
 CONTACT PRODUCT ENGINEERING
 BEFORE USING THIS PRINT

THIS DRAWING IS A CONTROLLED DOCUMENT.		DWN: CHARLES WAN 17DEC2014	TE Connectivity
		CHK: SEAN HAN 17DEC2014	
DIMENSIONS:	TOLERANCES UNLESS OTHERWISE SPECIFIED:	APVD: -	NAME: CFP4 1x4 HARDWARE ASSEMBLY
mm	0 PLC ±	PRODUCT SPEC	
	1 PLC ±0.25	APPLICATION SPEC	
	2 PLC ±0.13		
	3 PLC ±		
	4 PLC ±		
	ANGLES ±		
MATERIAL	FINISH	WEIGHT	SIZE: CAGE CODE: DRAWING NO: RESTRICTED TO:
			A100779C=2289497
		Customer Drawing	SCALE: 3:1 SHEET 5 OF 7 REV 5

LOC	DIST	REV	DATE	BY	APPV
		1			

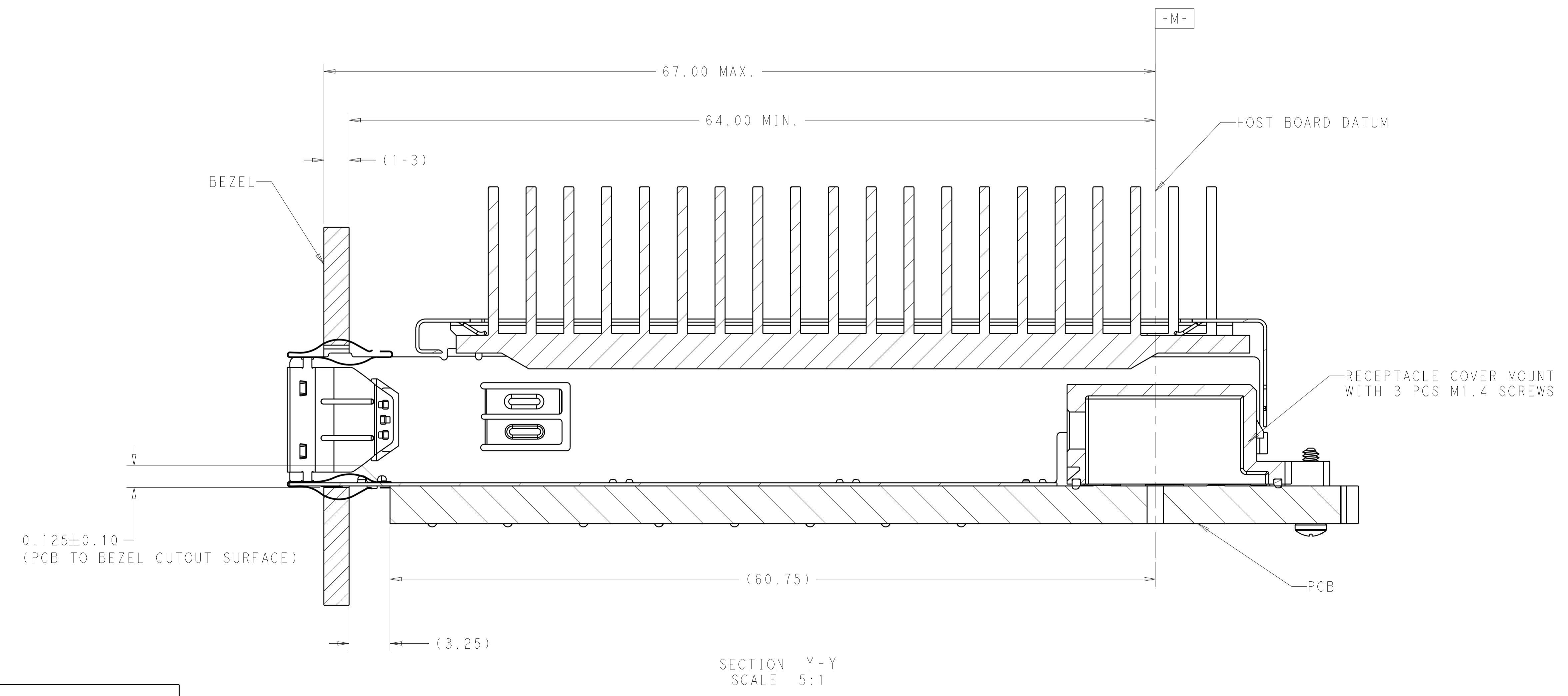
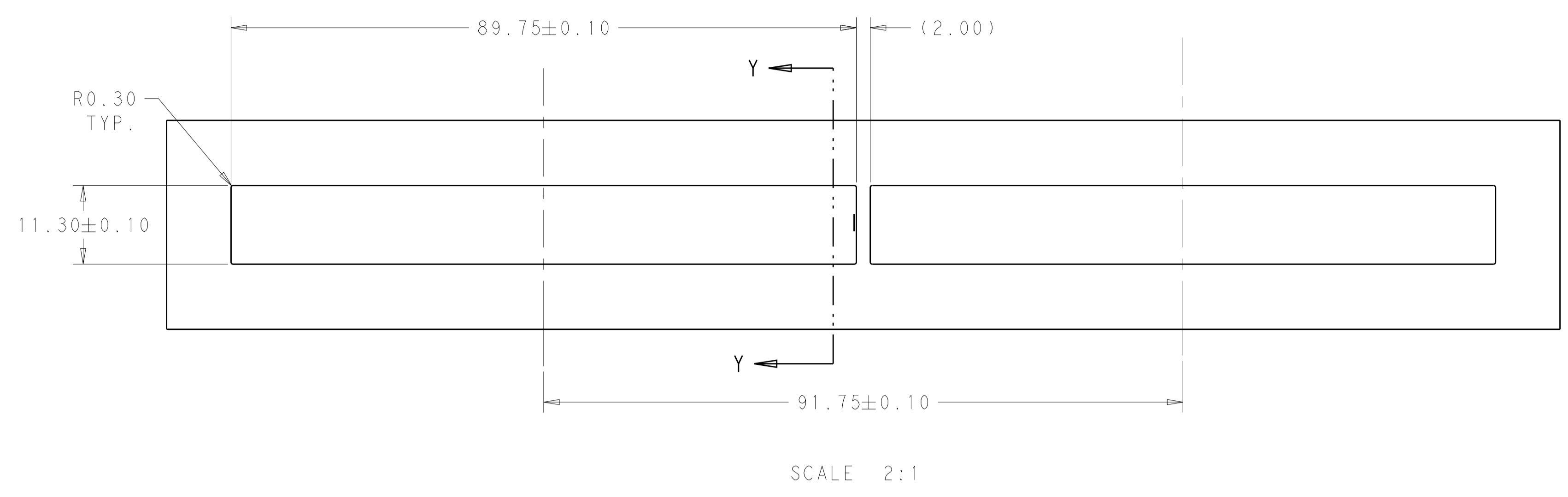


SCALE 4:1

DESIGN APPROVED THIS PRINT IS
PRELIMINARY
 TO FIRST PIECE APPROVAL
 CONTACT PRODUCT ENGINEERING
 BEFORE USING THIS PRINT

THIS DRAWING IS A CONTROLLED DOCUMENT.		OWN: CHARLES WAN 17DEC2014	TE Connectivity
DIMENSIONS: mm		CHK: SEAN HAN 17DEC2014	
TOLERANCES UNLESS OTHERWISE SPECIFIED:		APVD: -	NAME: CFP4 1x4 HARDWARE ASSEMBLY
0 PLC ±	1 PLC ±0.25	PRODUCT SPEC	SIZE: A1
2 PLC ±0.13	3 PLC ±	APPLICATION SPEC	CAGE CODE: 2289497
4 PLC ±	ANGLES ±	WEIGHT	RESTRICTED TO: -
MATERIAL: -	FINISH: -	Customer Drawing	SCALE: 4:1 SHEET 6 OF 7 REV 5

LOC		DIST		REVISIONS			
P	LTN	DESCRIPTION	DATE	DMN	APVD		
-	-	SEE SHEET 1	-	-	-		



DESIGN APPROVED THIS PRINT IS
PRELIMINARY
 TO FIRST PIECE APPROVAL
 CONTACT PRODUCT ENGINEERING
 BEFORE USING THIS PRINT

THIS DRAWING IS A CONTROLLED DOCUMENT.		DMN CHARLES WAN 17DEC2014	TE Connectivity
DIMENSIONS: mm		CHK SEAN HAN 17DEC2014	
TOLERANCES UNLESS OTHERWISE SPECIFIED:		APVD -	NAME CFP4 1x4 HARDWARE ASSEMBLY
0 PLC ±	1 PLC ±0.25	PRODUCT SPEC -	SIZE CAGE CODE DRAWING NO RESTRICTED TO
2 PLC ±0.13	3 PLC ±	APPLICATION SPEC -	A100779C=2289497
4 PLC ±	ANGLES ±	WEIGHT -	SCALE 4:1 SHEET 7 OF 7 REV 5
MATERIAL -	FINISH -	Customer Drawing	