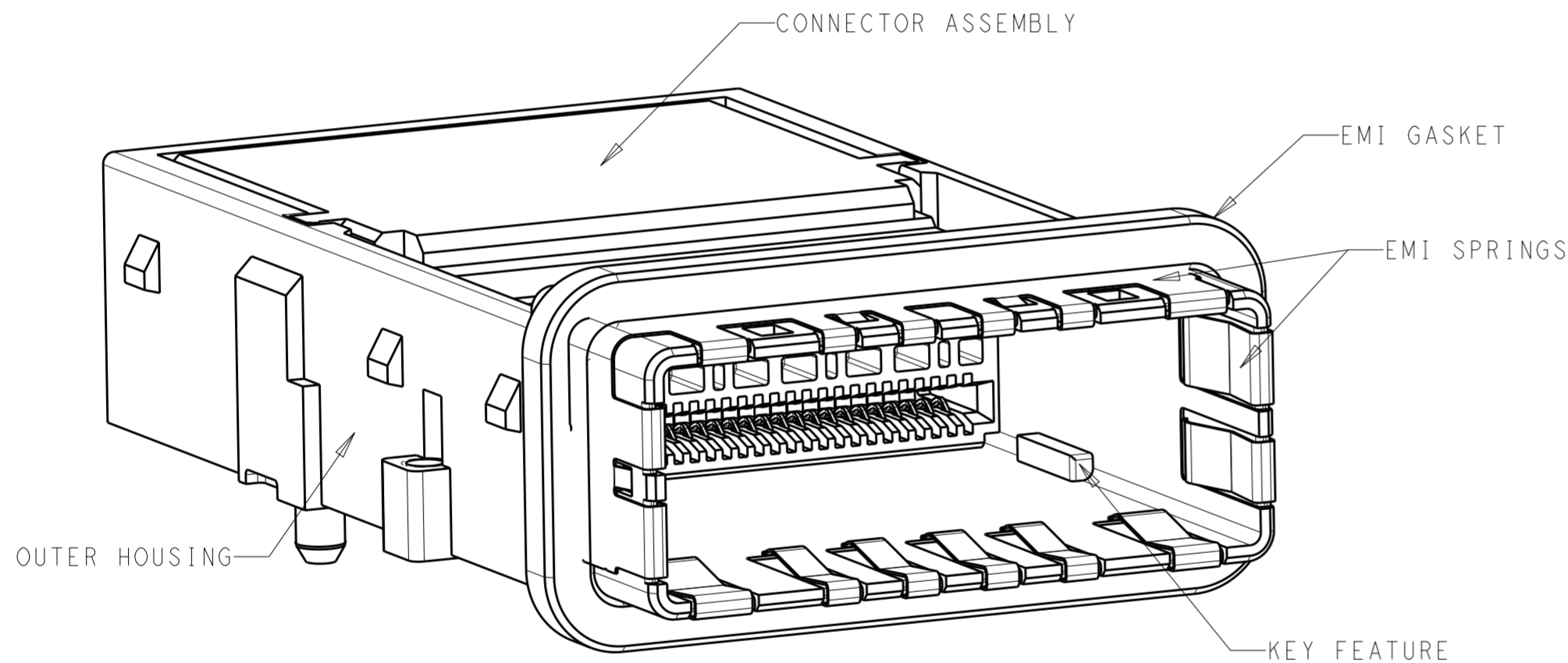


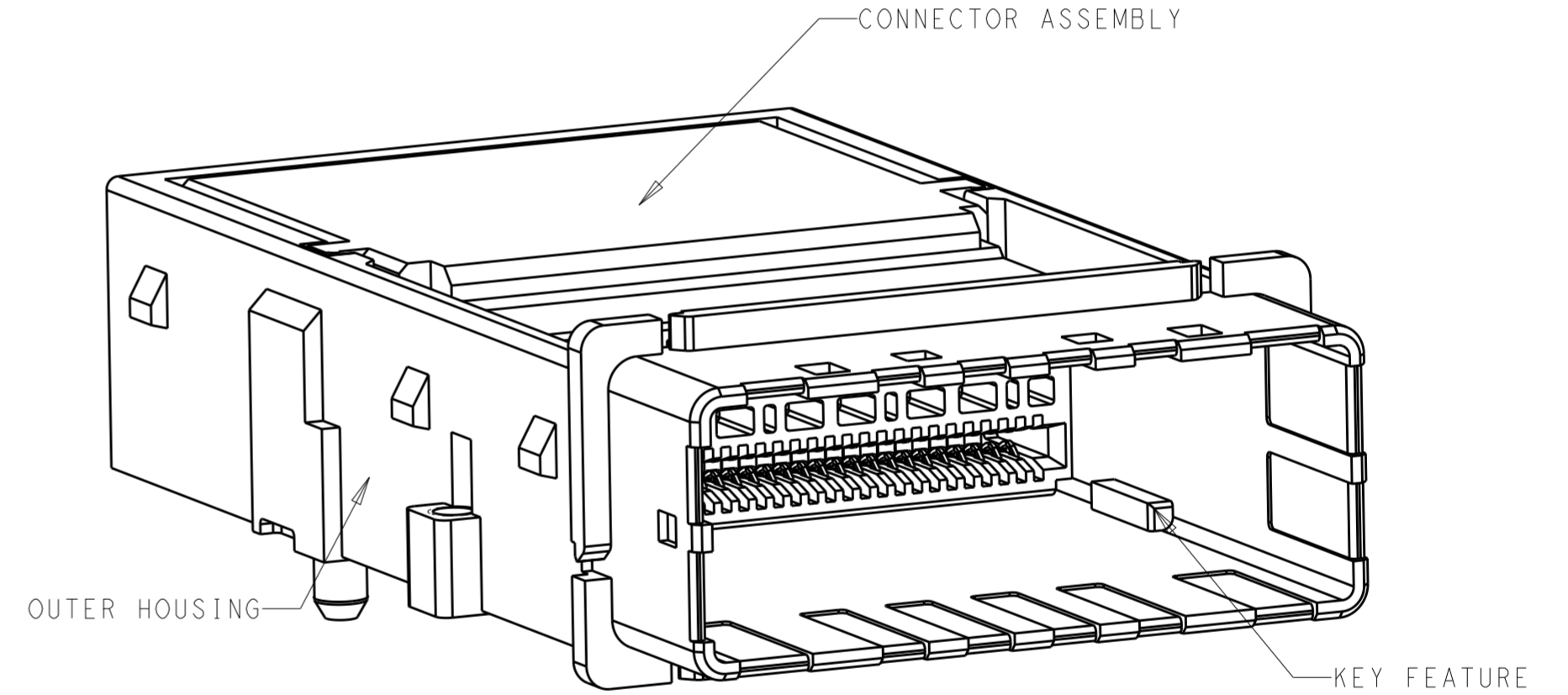
THIS DRAWING IS UNPUBLISHED. RELEASED FOR PUBLICATION 20
 © COPYRIGHT 20 BY - ALL RIGHTS RESERVED.

REVISIONS					
P	LTR	DESCRIPTION	DATE	DWN	APVD
A		INITIAL RELEASE	14APR2016	JY	SH
B		REVISED PER ECO-18-012594	07AUG2018	JY	SH
C		REVISED PER ECO-19-018835	17OCT2019	JY	SH

- MATERIALS:**
 OUTER HOUSING - NICKEL PLATED ZINC ALLOY PER ASTM B 240.
 CONNECTOR HOUSINGS - LCP, UL 94V-0 RATED.
 CHICKLETS - LCP, UL 94V-0 RATED.
 CONTACTS - PHOSPHOR BRONZE.
 EMI SPRINGS - COPPER ALLOY.
 EMI GASKET - CONDUCTIVE ELASTOMER.
- CONTACT FINISH:**
 CONFORMS TO THE REQUIREMENTS OF TYCO ELECTRONICS PRODUCT SPECIFICATION 108-32065, BASED ON EIA/ECA-364-1000.01A, (CONTROLLED ENVIRONMENT APPLICATIONS) ON MATING INTERFACES. MATTE TIN ON COMPLIANT PINS.
- PCB THICKNESS 1.57 MINIMUM.**
- 4** FOR HOLE SIZE AND PLATINGS, SEE APPLICATION SPEC 114-32114.
- 5** CROSS HATCHED AREA INDICATES REQUIRED CONDUCTIVE AREA ON SURFACE OF PCB. NO COMPONENTS OR TOP SIDE SURFACE TRACES ALLOWED IN THIS AREA.
- MOUNTING HARDWARE REQUIRED:**
 3X M2X0.4 - SCREW LENGTH = PCB THICKNESS + (2 TO 4).
- 7** CUSTOMIZED PACKAGE SPEC:
 PLACE CONNECTOR PIN FIELD DOWN IN PACKAGE.
- 8** CUSTOMIZED PACKAGE SPEC:
 DESIGNED NEW PACKAGE FOR CUSTOMER PROCESS.



2291931-1 SHOWN WITH EMI SPRING AND GASKET SCALE 4:1



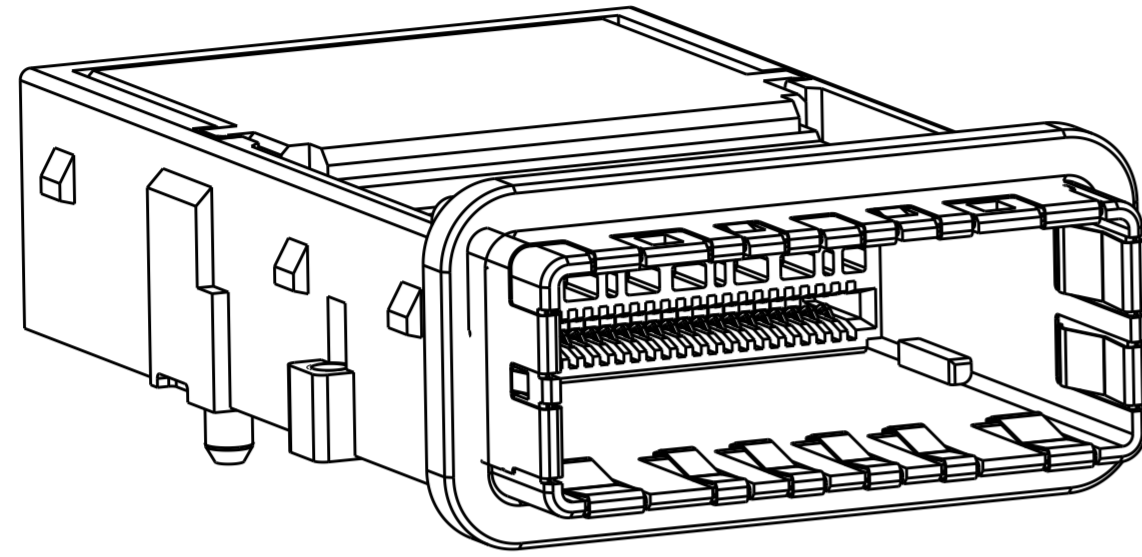
2291931-2, -3, -4 AS SHOWN W/O EMISPRING AND GASKET SCALE 4:1

8	W/O EMI SPRING AND GASKET	2291931-4
7	W/O EMI SPRING AND GASKET	2291931-3
	W/O EMI SPRING AND GASKET	2291931-2
	W EMI SPRING AND GASKET	2291931-1
	DESCRIPTION	PART NUMBER

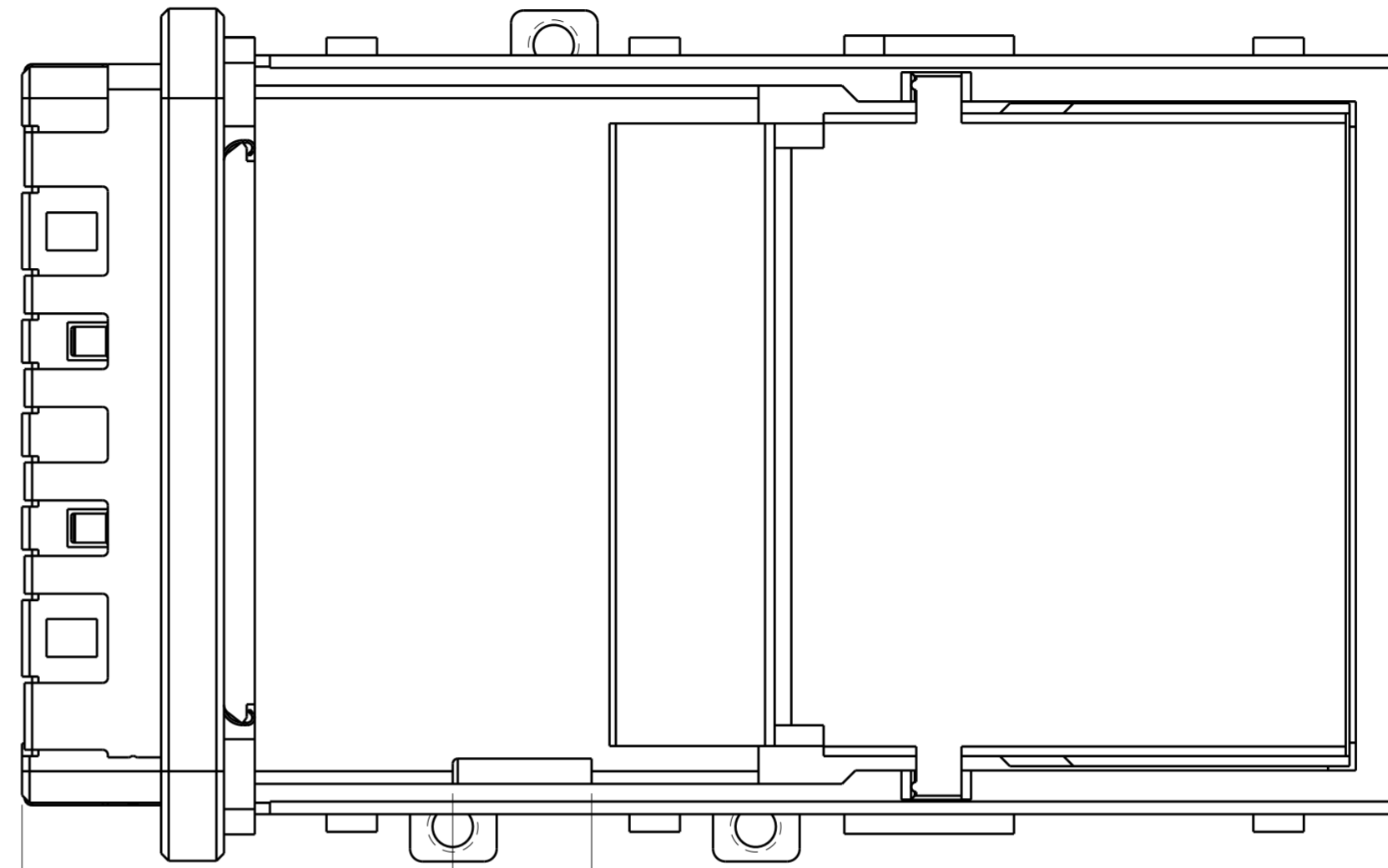
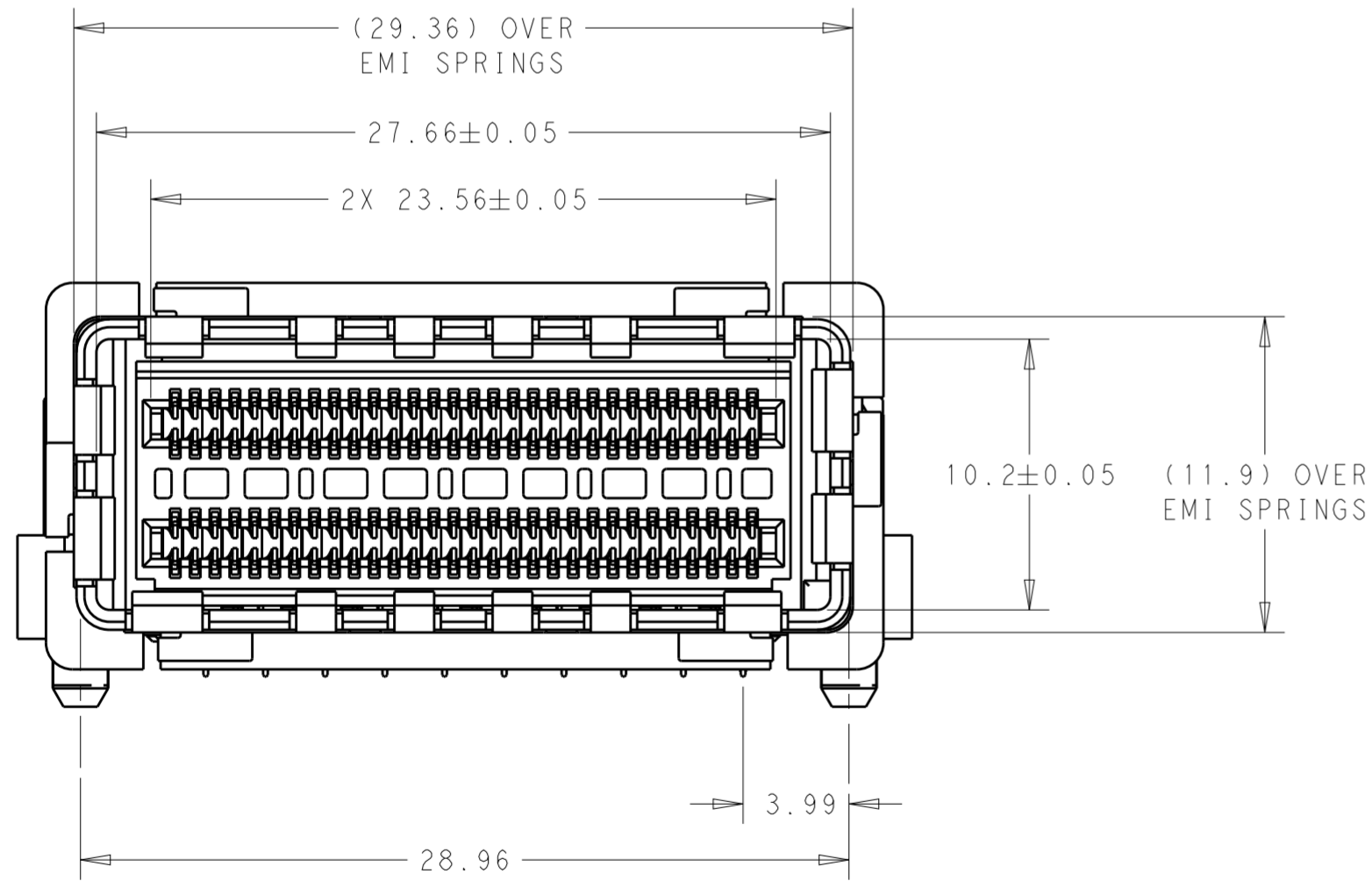
THIS DRAWING IS A CONTROLLED DOCUMENT.		DWN 30MAR2015 JASON YANG	TE Connectivity		
DIMENSIONS:		CHK 30MAR2015 SEAN HAN			NAME RECEPTACLE, STYLE 1, CDFP
TOLERANCES UNLESS OTHERWISE SPECIFIED:		APVD 30MAR2015 SEAN HAN			
mm 0 PLC ±0.25 1 PLC ±0.25 2 PLC ±0.20 3 PLC ±0.15 4 PLC ± ANGLES ± FINISH		PRODUCT SPEC 108-32065 APPLICATION SPEC 114-32114 WEIGHT - CUSTOMER DRAWING			SIZE A2 CAGE CODE - DRAWING NO. C-2291931 RESTRICTED TO - SCALE 1:1 SHEET 1 OF 5 REV C

THIS DRAWING IS UNPUBLISHED. RELEASED FOR PUBLICATION 20
 © COPYRIGHT 20 BY - ALL RIGHTS RESERVED.

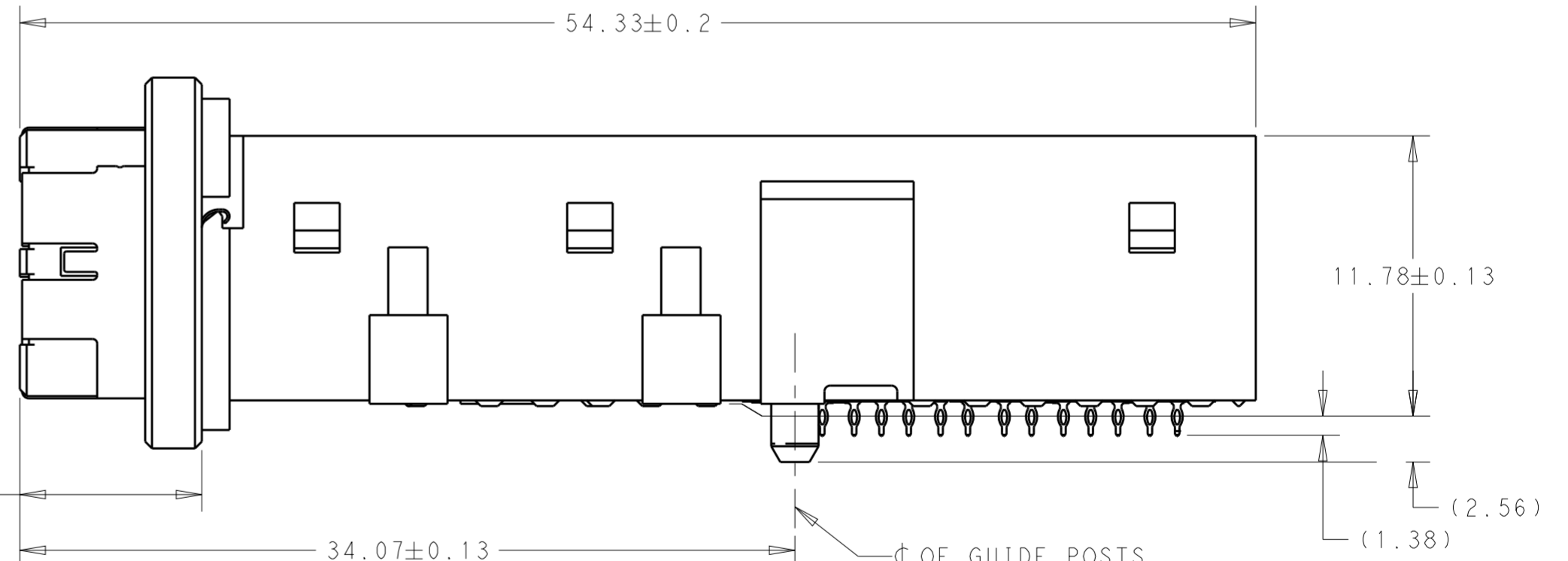
REVISIONS				
P	LTR	DESCRIPTION	DATE	APVD
-		SEE SHEET 1	-	-



2291931-1 SHOWN
SCALE 3:1



17.06±0.13 KEY LOCATION
5.5±0.1 KEY LENGTH



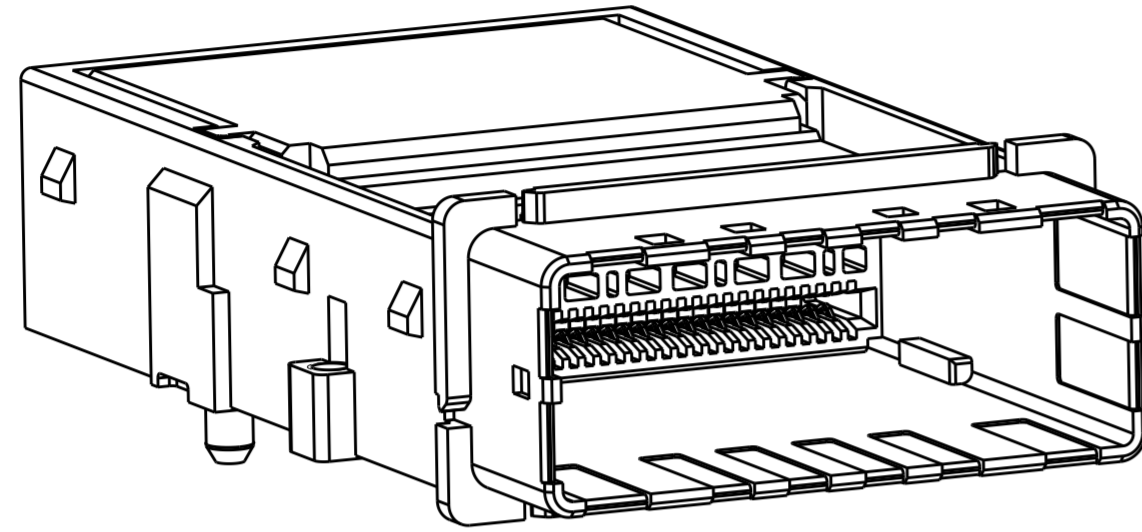
2291931-1 SHOWN
SCALE 4:1

∅ OF GUIDE POSTS AND FIRST ROW OF COMPLIANT PINS.

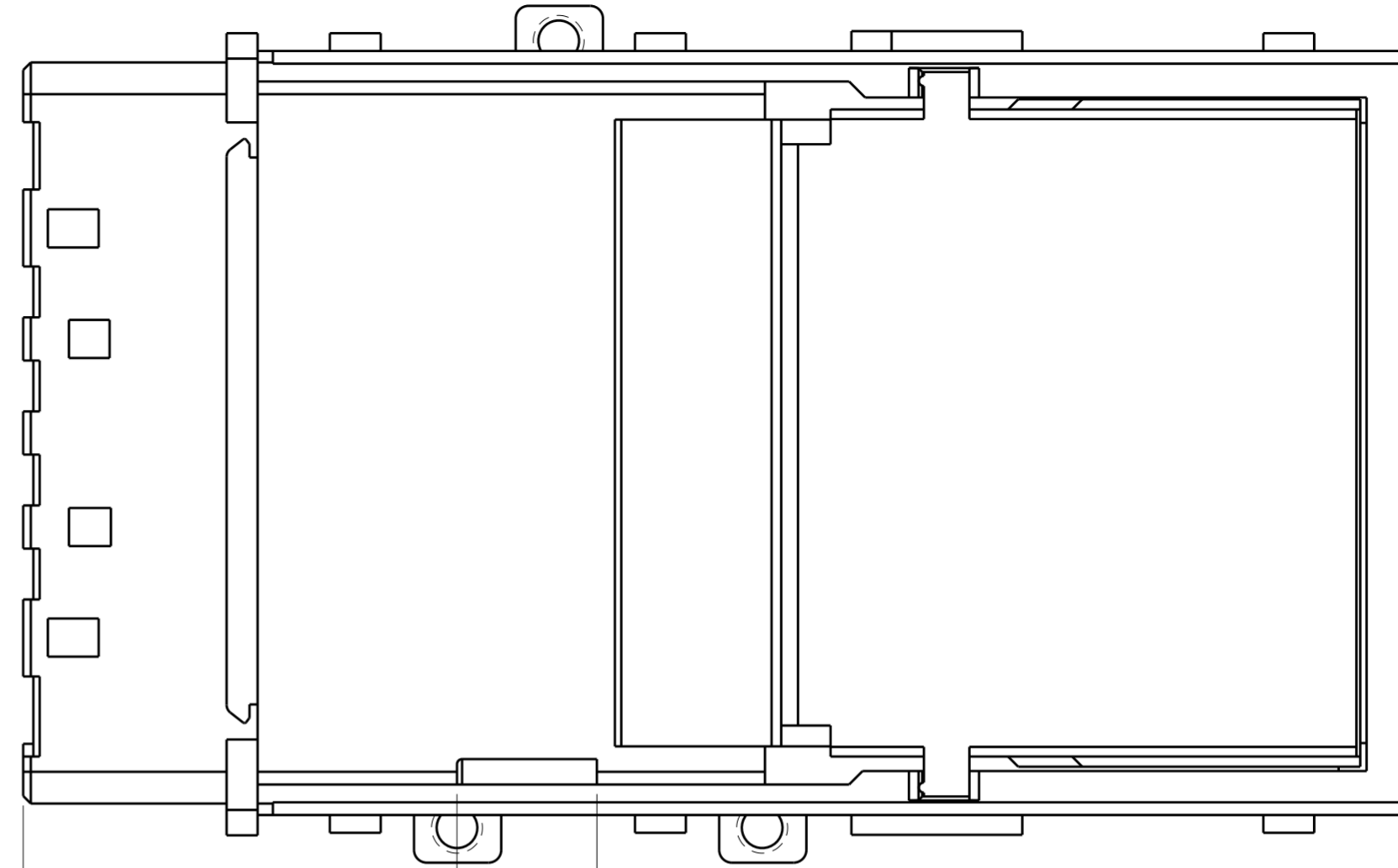
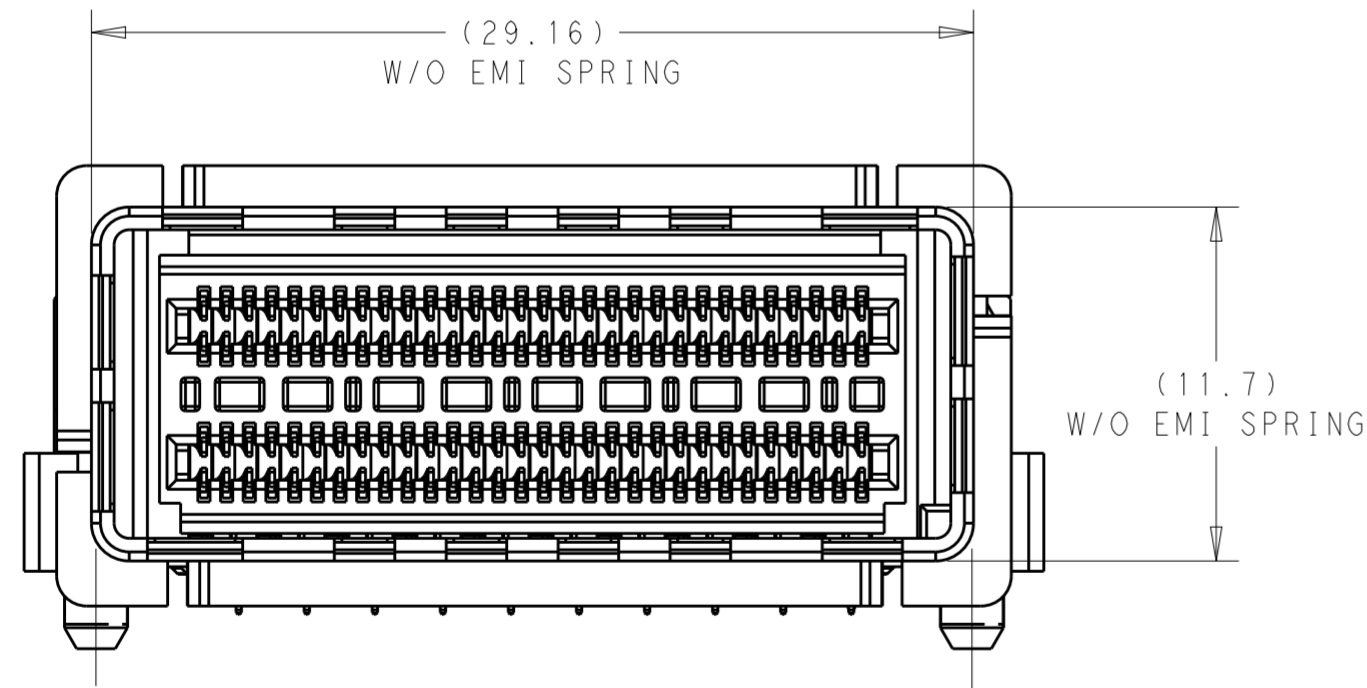
THIS DRAWING IS A CONTROLLED DOCUMENT.		DWN JASON YANG 30MAR2015	TE Connectivity	
DIMENSIONS:		CHK SEAN HAN 30MAR2015		
mm	TOLERANCES UNLESS OTHERWISE SPECIFIED:	APVD SEAN HAN 30MAR2015	NAME RECEPTACLE, STYLE 1, CDFP	
0 PLC ±0.25	1 PLC ±0.25	PRODUCT SPEC 108-32065	SIZE A2	CAGE CODE -
2 PLC ±0.20	3 PLC ±0.15	APPLICATION SPEC 114-32114	DRAWING NO C-2291931	RESTRICTED TO -
4 PLC ±	ANGLES ±	WEIGHT -	SCALE 4:1	SHEET 2 OF 5
MATERIAL -	FINISH -	CUSTOMER DRAWING	REV C	

THIS DRAWING IS UNPUBLISHED. RELEASED FOR PUBLICATION 20
 © COPYRIGHT 20 BY - ALL RIGHTS RESERVED.

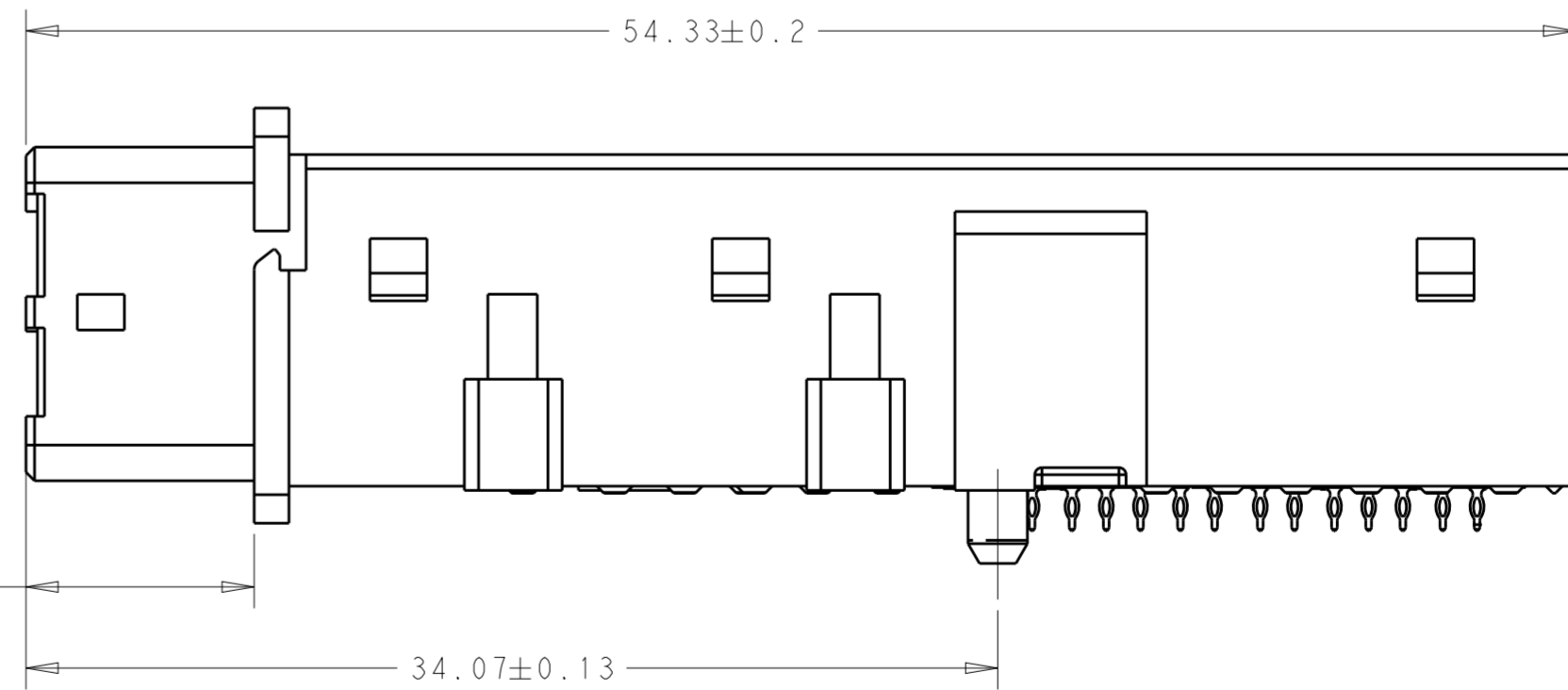
REVISIONS				
P	LTR	DESCRIPTION	DATE	APVD
-	-	SEE SHEET 1	-	-



2291931-2, -3, -4 SHOWN
 UNSPECIFIED DIMENSIONS ARE SAME AS 2291931-1
 SCALE 3:1



17.06±0.13 KEY LOCATION
 5.5±0.1 KEY LENGTH

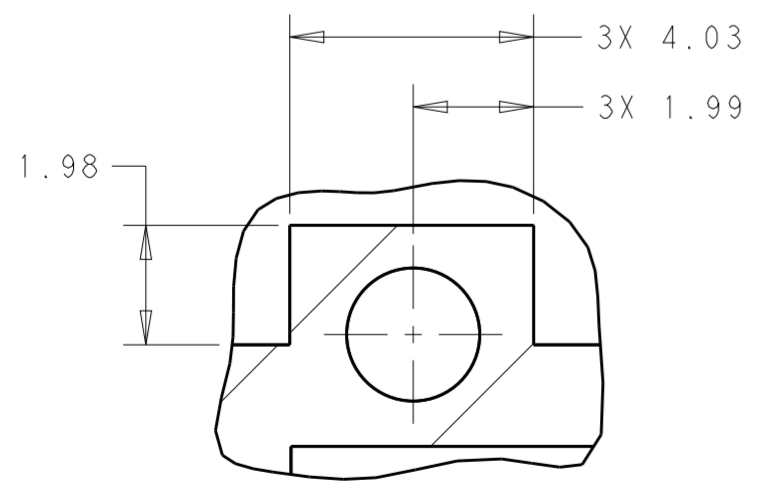
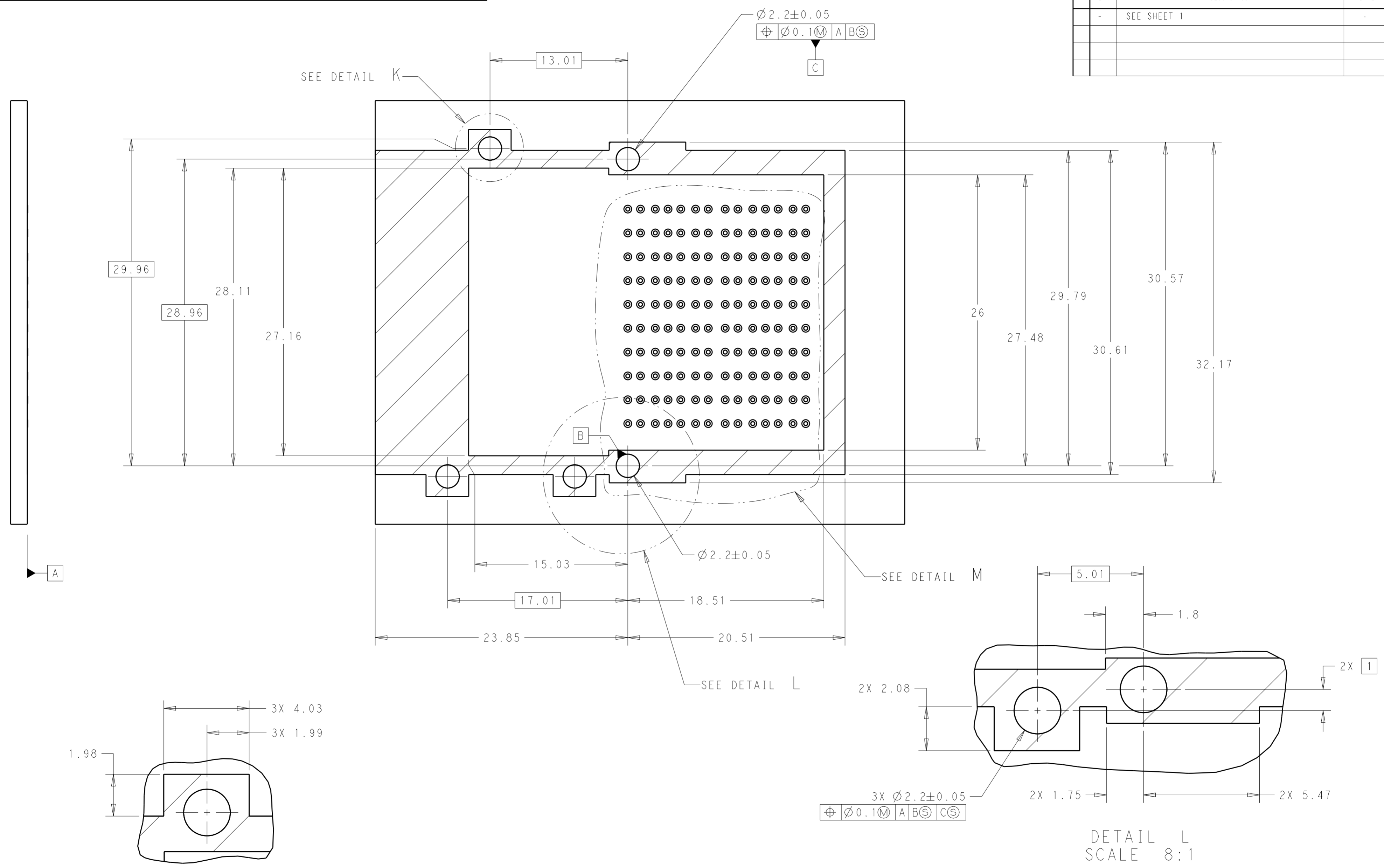


8±0.13
 34.07±0.13
 54.33±0.2
 SCALE 4:1

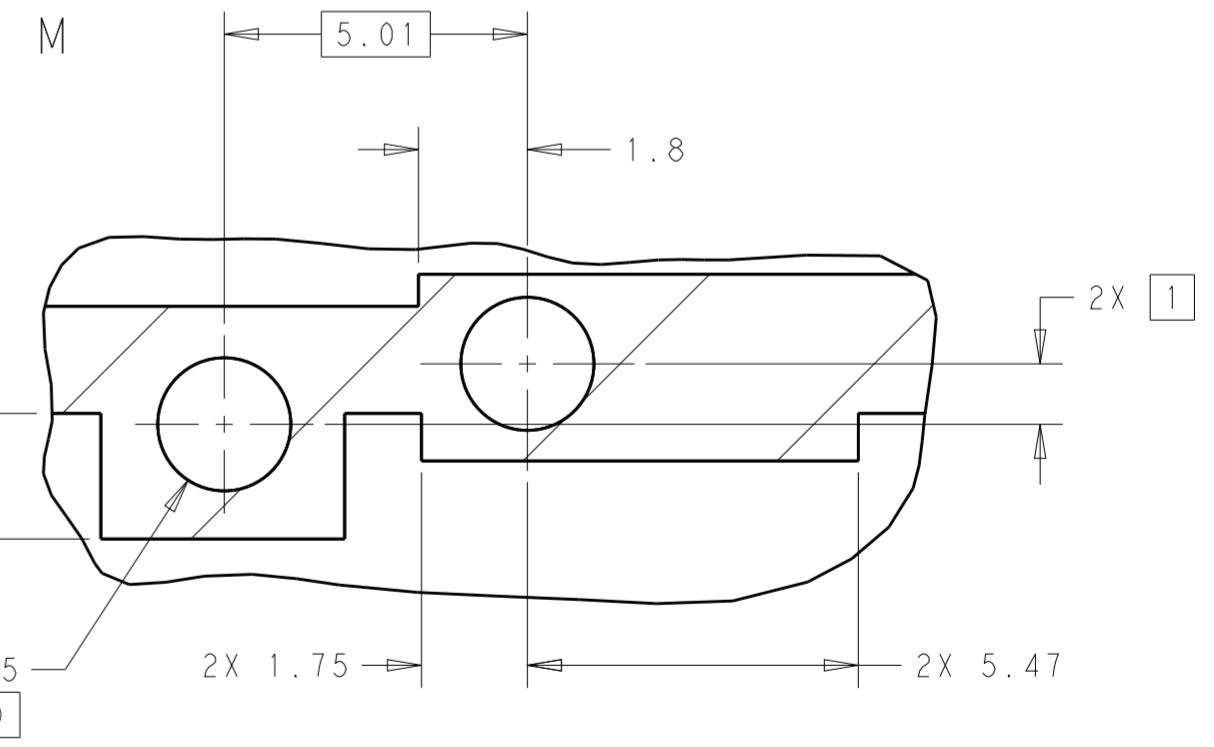
THIS DRAWING IS A CONTROLLED DOCUMENT.		DWN 30MAR2015 JASON YANG	STE TE Connectivity	
DIMENSIONS: mm		CHK 30MAR2015 SEAN HAN		
TOLERANCES UNLESS OTHERWISE SPECIFIED:		APVD 30MAR2015 SEAN HAN	NAME RECEPTACLE, STYLE 1, CDFP	
0 PLC ±0.25	1 PLC ±0.25	PRODUCT SPEC 108-32065	SIZE A2	CAGE CODE -
2 PLC ±0.20	3 PLC ±0.15	APPLICATION SPEC 114-32114	DRAWING NO. C-2291931	RESTRICTED TO -
4 PLC ±	ANGLES ±	WEIGHT -	SCALE 1:1	SHEET 3 OF 5
MATERIAL -	FINISH -	CUSTOMER DRAWING	REV C	

THIS DRAWING IS UNPUBLISHED. RELEASED FOR PUBLICATION 20
 © COPYRIGHT 20 BY - ALL RIGHTS RESERVED.

REVISIONS				
P	LTR	DESCRIPTION	DATE	APVD
-	-	SEE SHEET 1	-	-



DETAIL K
SCALE 8:1

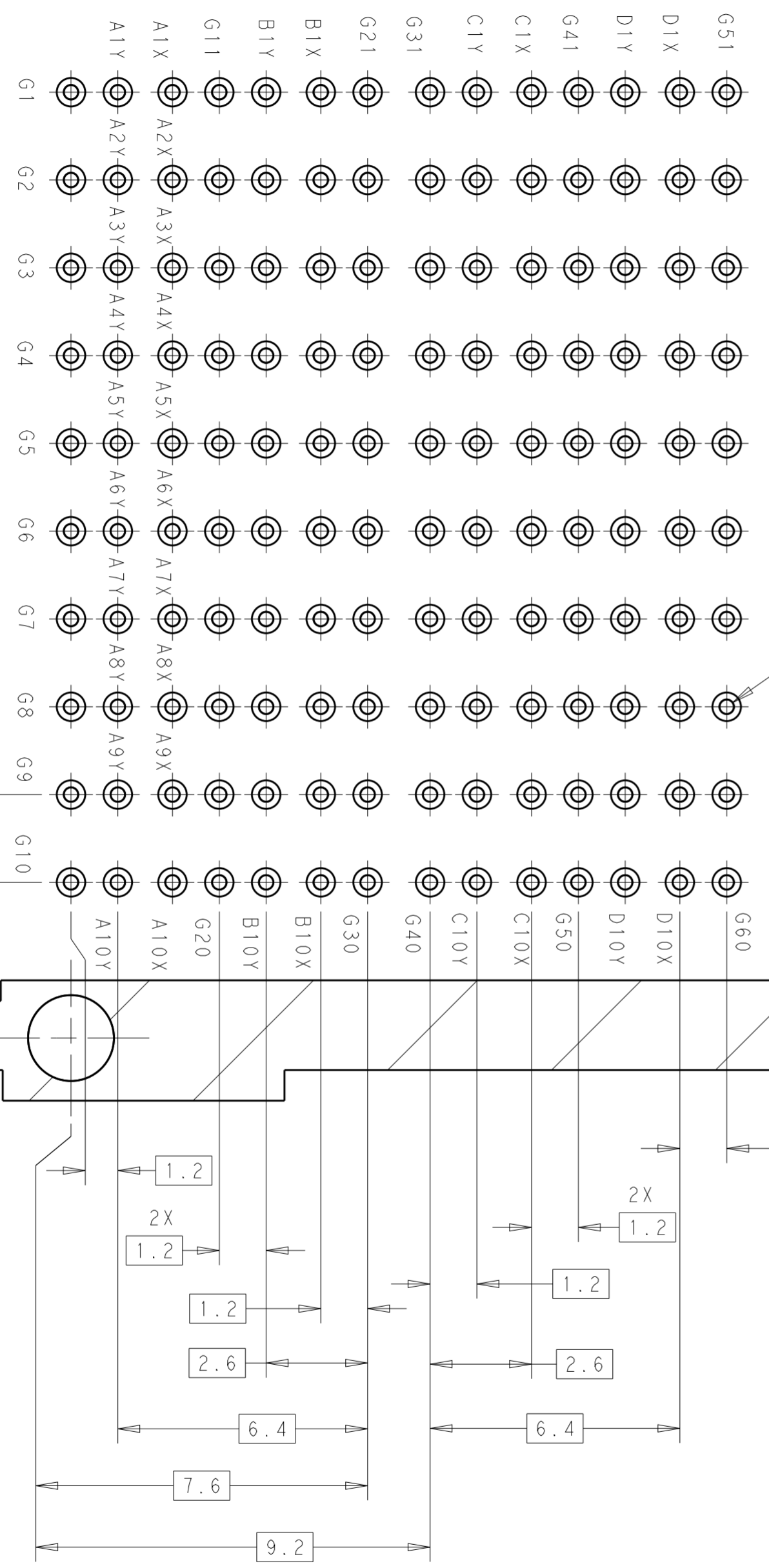


DETAIL L
SCALE 8:1

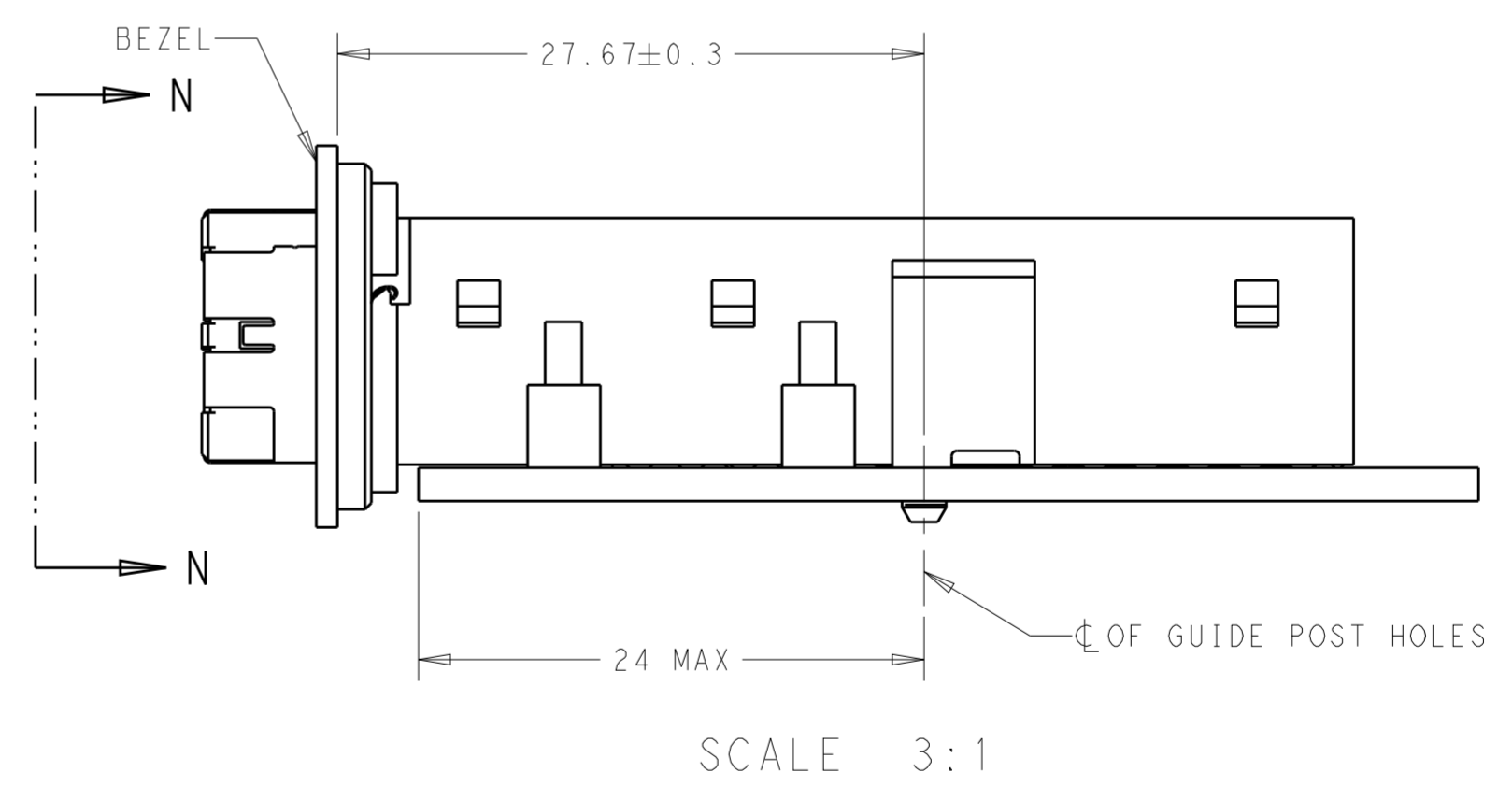
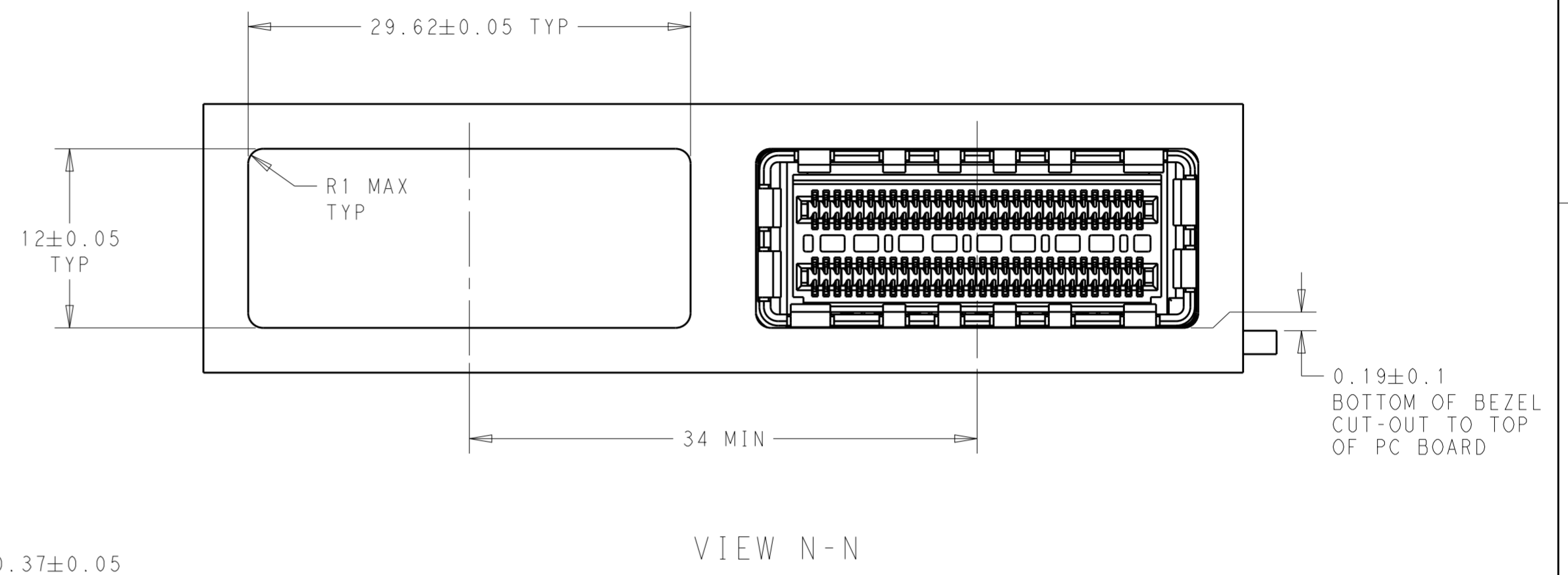
THIS DRAWING IS A CONTROLLED DOCUMENT.		DWN 30MAR2015 JASON YANG	TE Connectivity	
DIMENSIONS: mm		CHK 30MAR2015 SEAN HAN		
TOLERANCES UNLESS OTHERWISE SPECIFIED:		APVD 30MAR2015 SEAN HAN	NAME RECEPTACLE, STYLE 1, CDFP	
0 PLC ±0.25	1 PLC ±0.25	PRODUCT SPEC 108-32065	SIZE A2	CAGE CODE -
2 PLC ±0.20	3 PLC ±0.15	APPLICATION SPEC 114-32114	DRAWING NO C-2291931	RESTRICTED TO -
4 PLC ±	ANGLES ±	WEIGHT -	SCALE 4:1	SHEET 4 OF 5
MATERIAL -	FINISH -	CUSTOMER DRAWING	REV C	

THIS DRAWING IS UNPUBLISHED. RELEASED FOR PUBLICATION 20
 © COPYRIGHT 20 BY - ALL RIGHTS RESERVED.

REVISIONS					
P	LTR	DESCRIPTION	DATE	DWN	APVD
-	-	SEE SHEET 1	-	-	-



140X Ø0.37±0.05
 ⊕ Ø0.1M A B C



DETAIL M
 SCALE 8:1

THIS DRAWING IS A CONTROLLED DOCUMENT.		DWN JASON YANG 30MAR2015	TE Connectivity	
DIMENSIONS: mm		CHK SEAN HAN 30MAR2015		
TOLERANCES UNLESS OTHERWISE SPECIFIED:		APVD SEAN HAN 30MAR2015	NAME RECEPTACLE, STYLE 1, CDFP	
0 PLC ±0.25	1 PLC ±0.25	PRODUCT SPEC 108-32065	SIZE A2	CAGE CODE -
2 PLC ±0.20	3 PLC ±0.15	APPLICATION SPEC 114-32114	DRAWING NO C-2291931	RESTRICTED TO -
4 PLC ±	ANGLES ±	WEIGHT -	SCALE 1:1	SHEET 5 OF 5
MATERIAL -	FINISH -	CUSTOMER DRAWING	REV C	