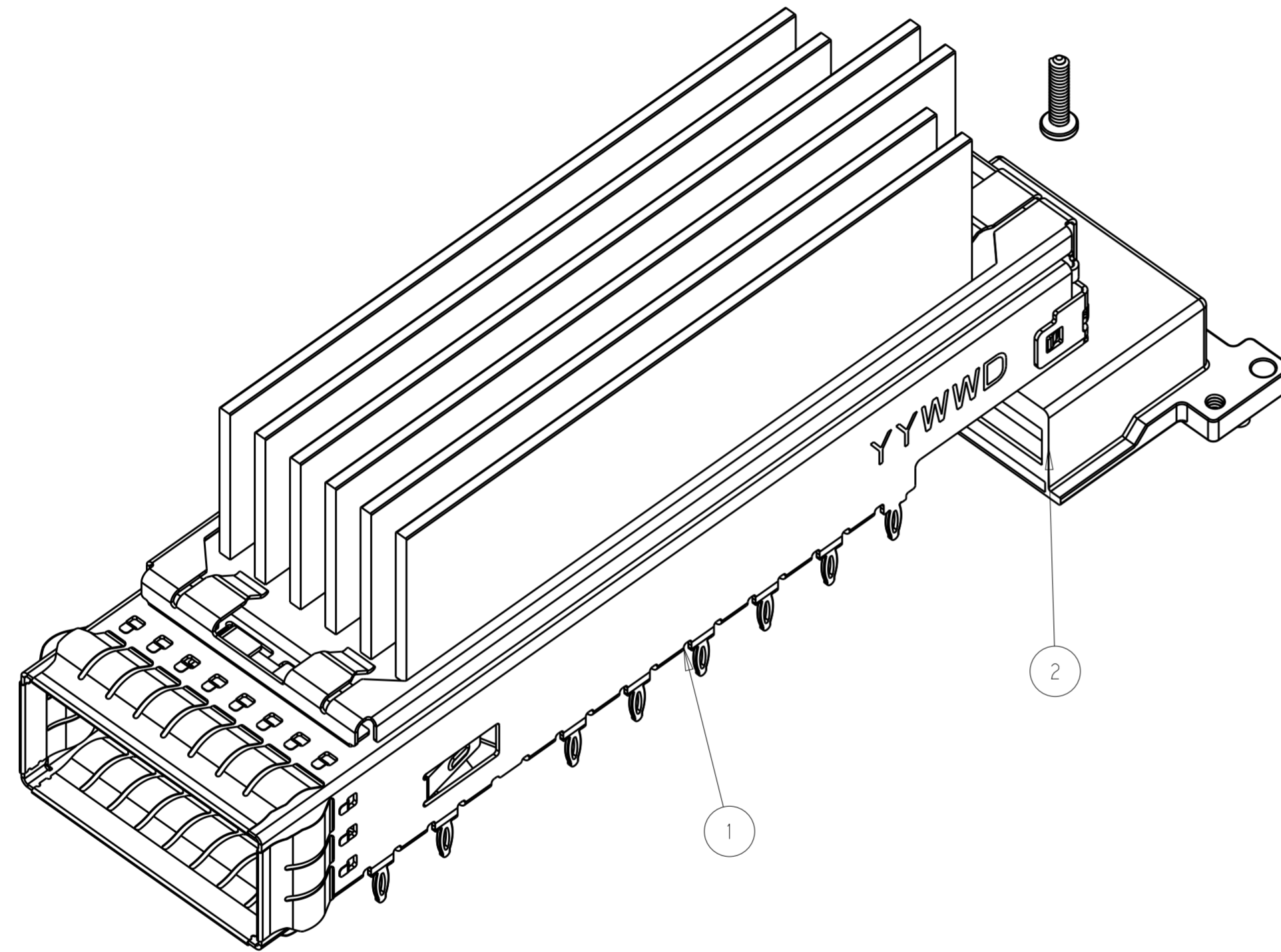


THIS DRAWING IS UNPUBLISHED. RELEASED FOR PUBLICATION 20
 © COPYRIGHT 20 BY - ALL RIGHTS RESERVED.

REVISIONS					
P	LTR	DESCRIPTION	DATE	DWN	APVD
1		PRELIMINARY DRAWING	16JUN2015	AD	SH
2		REVISE BOM	25JUN2015	AD	SH
3		REVISE HEAT SINK	10JULY2015	AD	SH



1. MATERIAL : CAGE : 0.3MM THICK NICKEL SILVER ALLOY;
 EMI SPRING: COPPER ALLOY;
 HEAT SINK CLIP: STAINLESS STEEL;
 HEAT SINK: ALUMINUM ALLOY;
 RECEPTACLE COVER: ZINC ALLOY;

2. FINISH: EMI SPRING -1.27um NICKEL PLATING OVER ALL;
 HEAT SINK: BLACK ANODIZED COATING;
 RECEPTACLE COVER: 1.27um MIN NICKEL PLATING OVER COPPER PLATING;
 HEAT SINK CLIP: PASSIVATE;

3. MATES WITH CFP MSA COMPLIANT TRANSCEIVERS.

4. DATUM AND BASIC DIMENSION ESTABLISHED BY CUSTOMER.

5. MINIMUM PC BOARD THICKNESS: SINGLE SIDE APPLICATIONS=2.99±0.63mm.

6. PADS AND VIAS CHASSIS GROUND;

7. REFERENCE APPLICATION SPEC 114-XXXX, HOLE A, FOR RECOMMENDED DRILL HOLE DIAMETER AND PLATING THICKNESS.

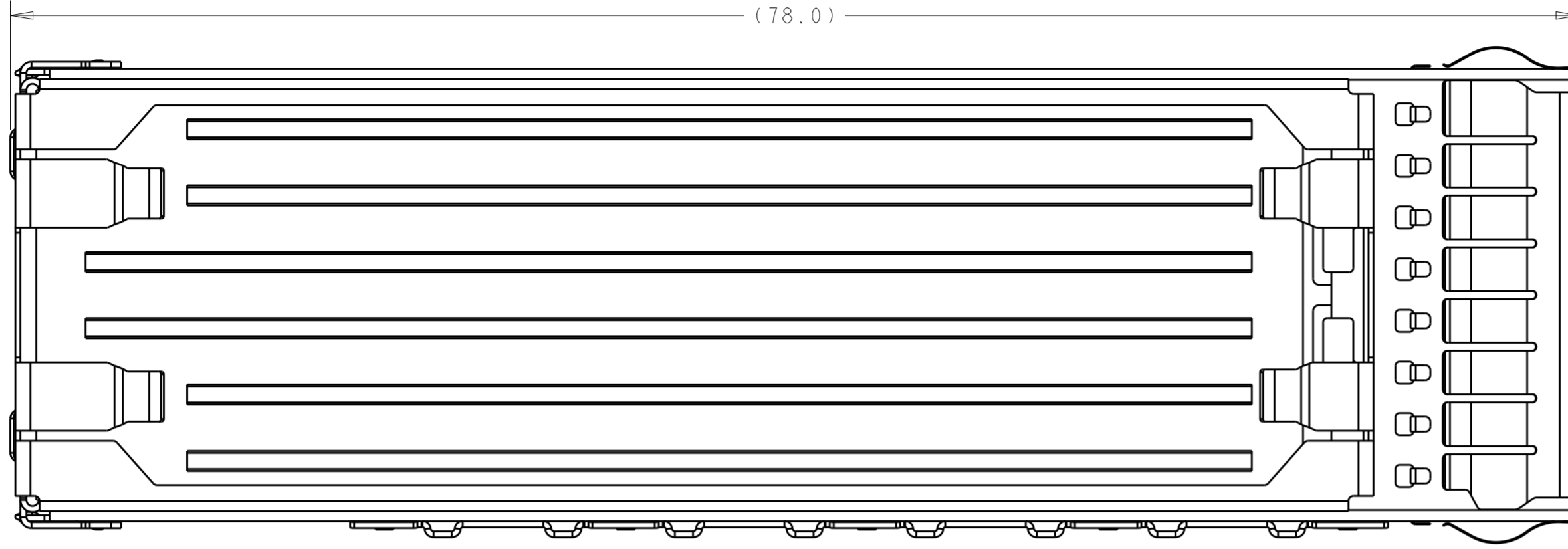
THIS PRINT IS
PRELIMINARY
 UNQUALIFIED PRODUCT
 CONTACT PRODUCT ENGINEERING
 BEFORE USING THIS PRINT

2	2292789-1	SCREW	3
1	2288228-1	RECEPTACLE COVER ASSEMBLY	2
1	2293289-3	CAGE ASSEMBLY WITH HS, CFP4 1X1	1
-1	PAR NUMBER	DESCRIPTION	ITEM

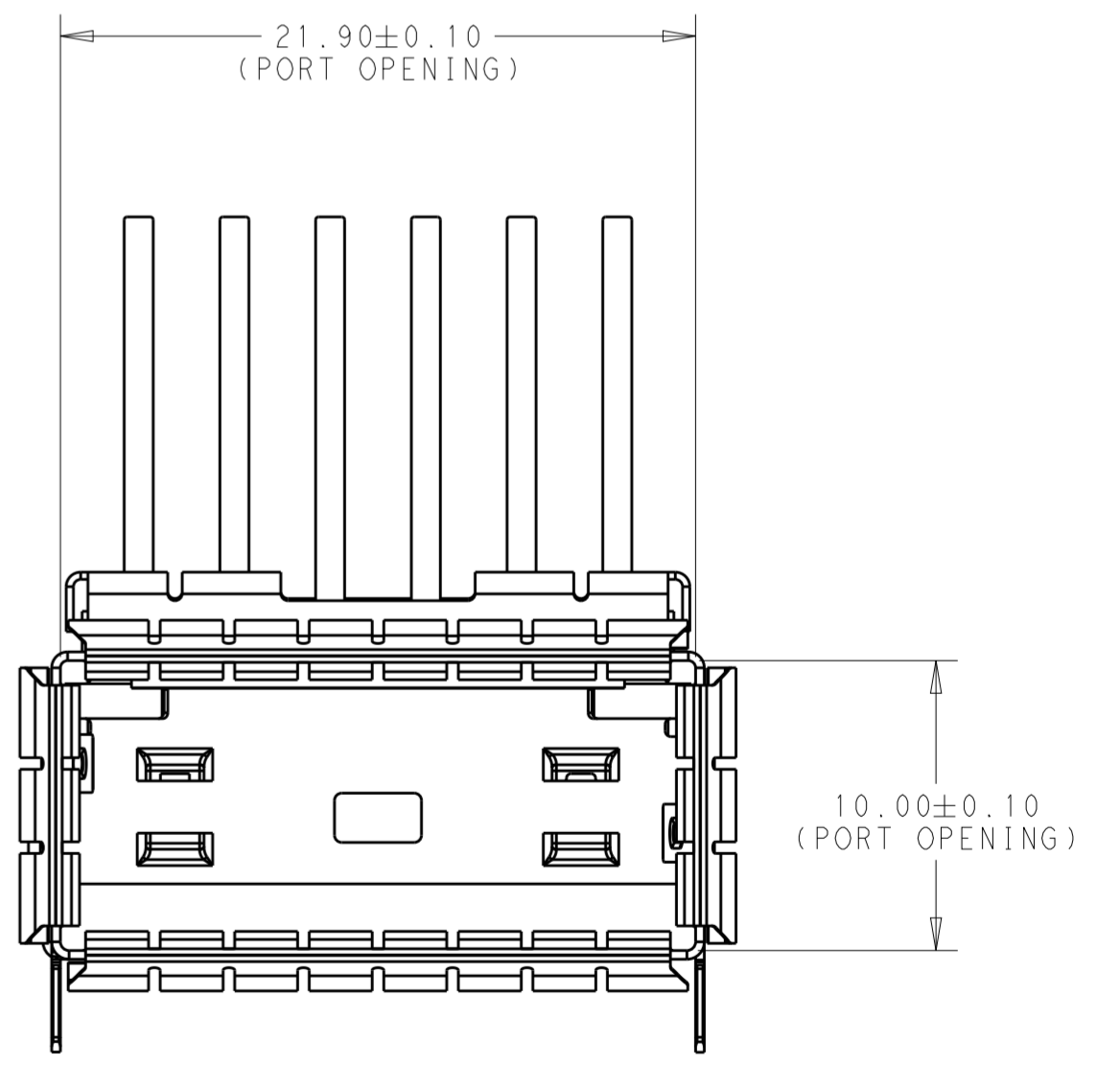
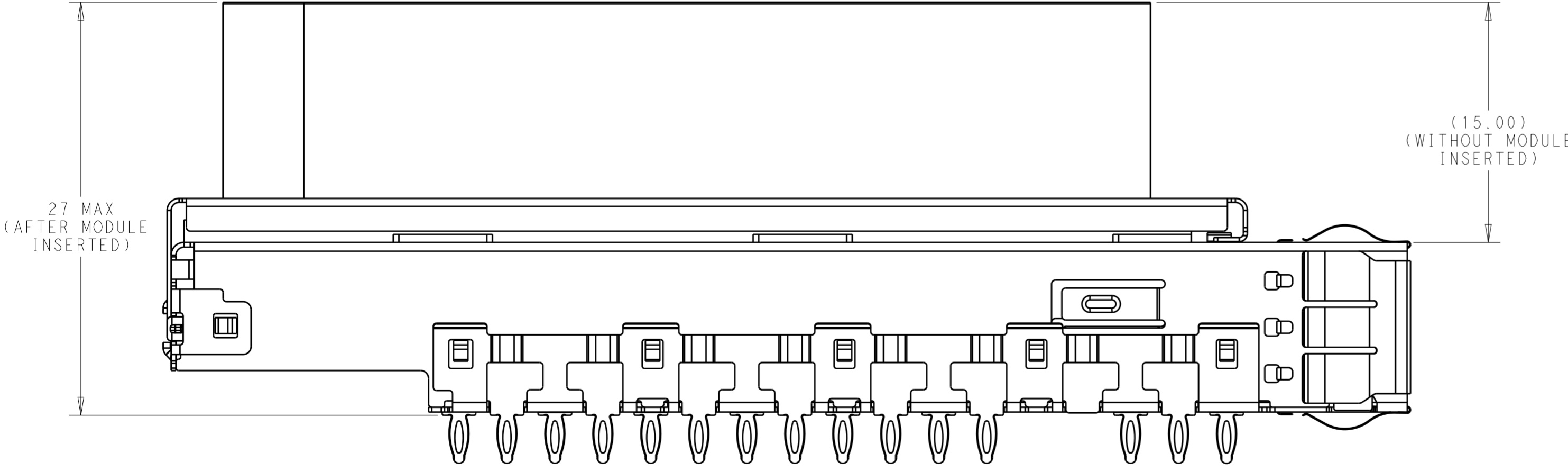
THIS DRAWING IS A CONTROLLED DOCUMENT.		DWN ANDY.XIF 16JUN2015	16JUN2015	
		CHK SEAN.HAN 16JUN2015	16JUN2015	
		APVD SEAN.HAN 16JUN2015	16JUN2015	
DIMENSIONS: mm		NAME HARDWARE KIT FOR CFP4 1X1		
TOLERANCES UNLESS OTHERWISE SPECIFIED: 0 PLC ± 1 PLC ±0.25 2 PLC ±0.13 3 PLC ±0.10 4 PLC ± ANGLES ± FINISH		PRODUCT SPEC - APPLICATION SPEC - WEIGHT -		
MATERIAL		SIZE A2	CAGE CODE -	DRAWING NO C-C2294014
		RESTRICTED TO -		SCALE 4:1
Customer Drawing		SHEET 1 OF 6		REV 3

THIS DRAWING IS UNPUBLISHED. RELEASED FOR PUBLICATION 20
 © COPYRIGHT 20 BY - ALL RIGHTS RESERVED.

REVISIONS				
P	LTR	DESCRIPTION	DATE	APVD
-		SEE SHEET 1	-	-



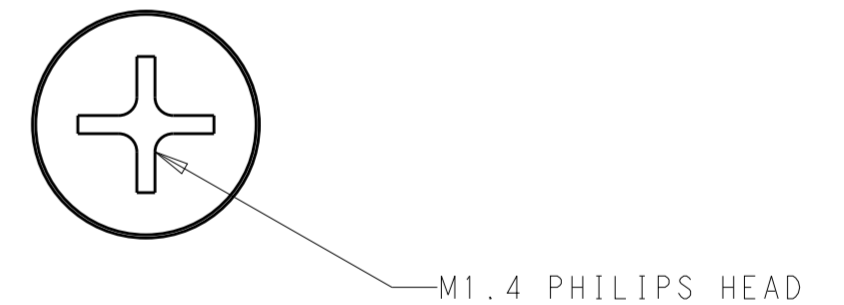
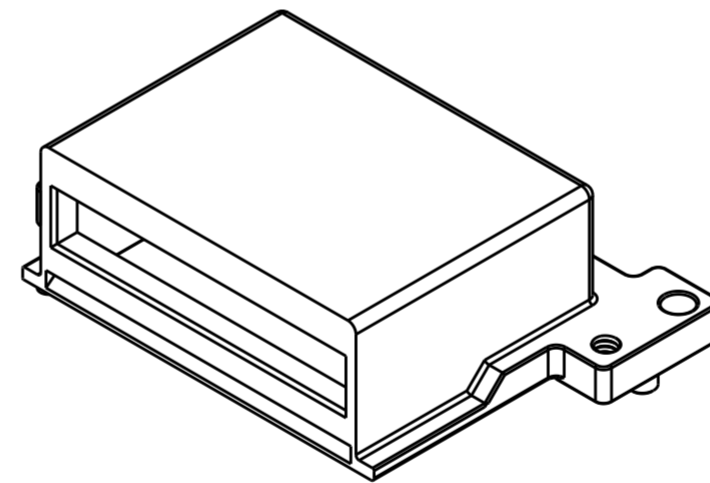
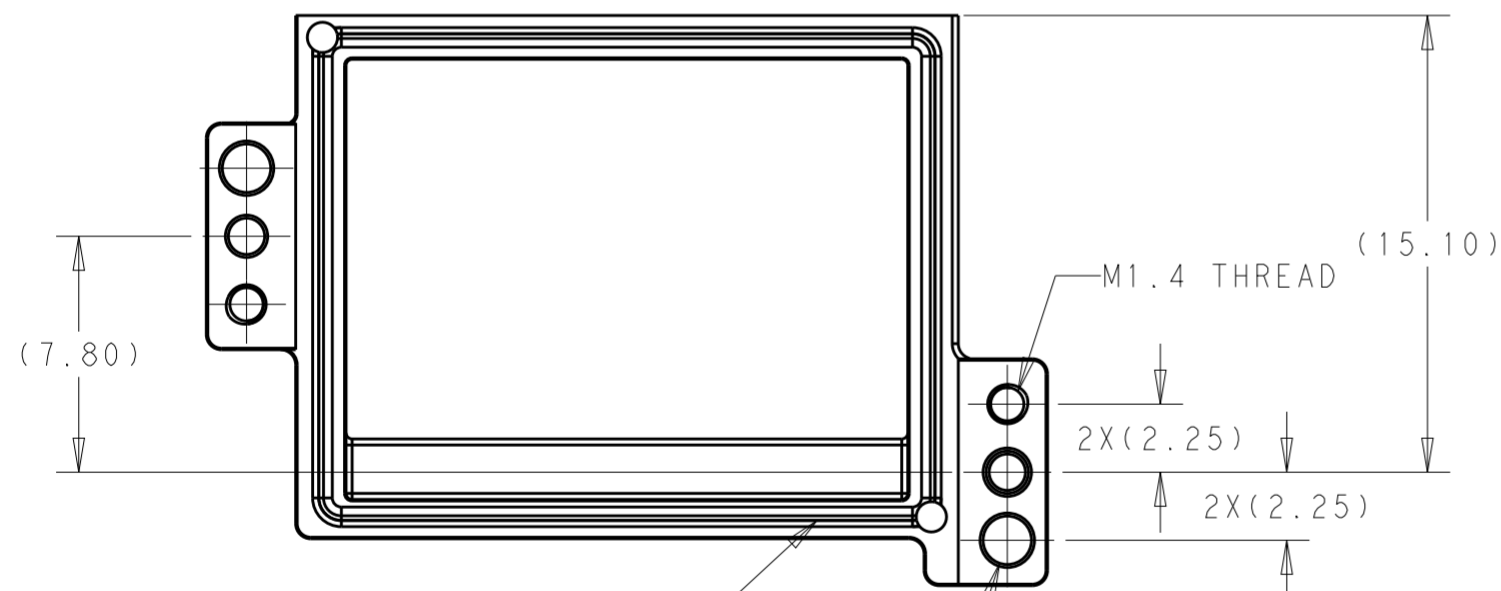
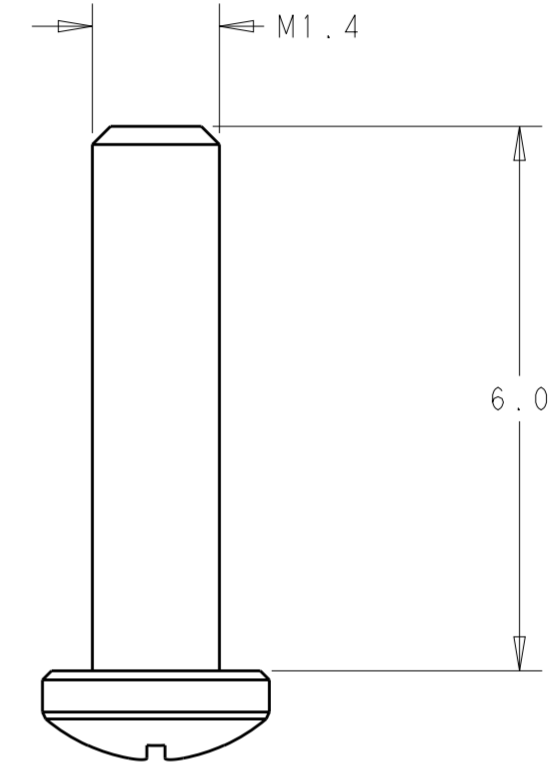
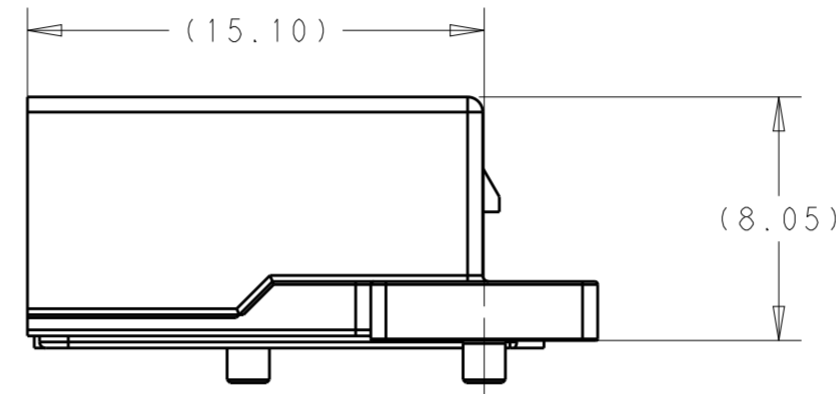
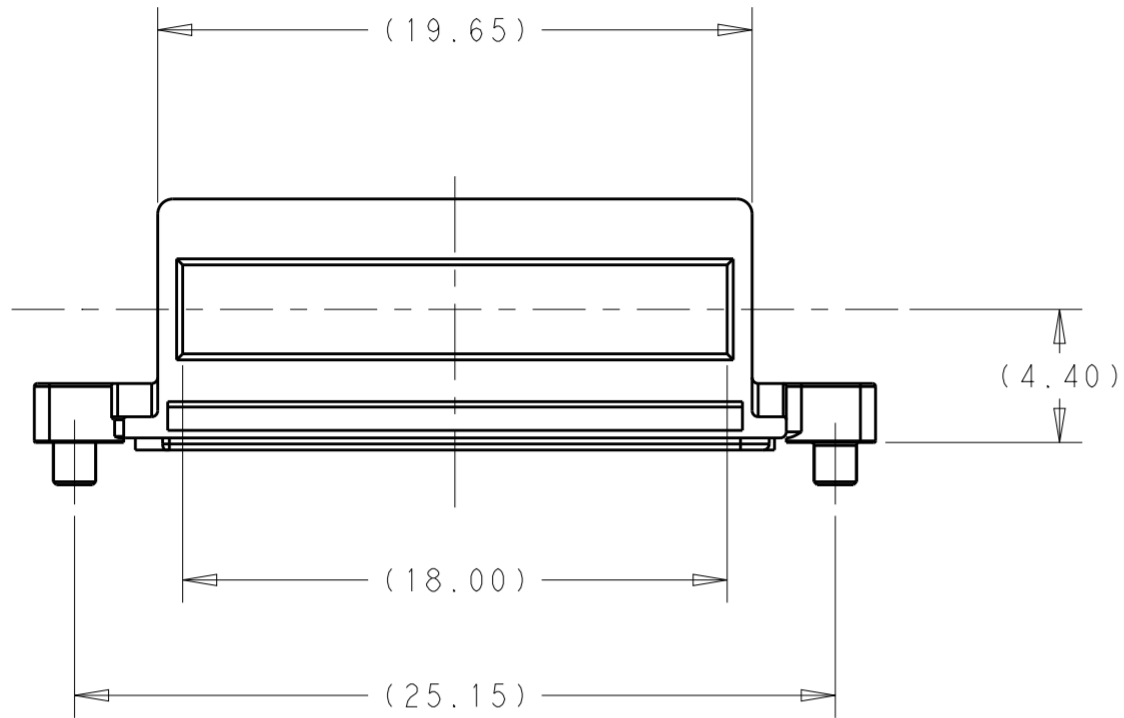
THIS PRINT IS
PRELIMINARY
 UNQUALIFIED PRODUCT
 CONTACT PRODUCT ENGINEERING
 BEFORE USING THIS PRINT



THIS DRAWING IS A CONTROLLED DOCUMENT.		DWN ANDY.XIF 16 JUN 2015	STE TE Connectivity	
		CHK SEAN.HAN 16 JUN 2015		
		APVD SEAN.HAN 16 JUN 2015	NAME HARD WARE KIT FOR CFP4 1X1	
DIMENSIONS:		PRODUCT SPEC		
mm		APPLICATION SPEC		
TOLERANCES UNLESS OTHERWISE SPECIFIED:		WEIGHT		
0 PLC	±	SCALE 4:1		
1 PLC	±0.25	SHEET 2 OF 6		
2 PLC	±0.13	REV 3		
3 PLC	±0.1			
4 PLC	±			
ANGLES	±			
FINISH	-			
MATERIAL	-	Customer Drawing		
	-	DRAWING NO. C-2294014		

THIS DRAWING IS UNPUBLISHED. RELEASED FOR PUBLICATION 20
 © COPYRIGHT 20 BY - ALL RIGHTS RESERVED.

REVISIONS				
P	LTR	DESCRIPTION	DATE	APVD
-		SEE SHEET 1	-	-



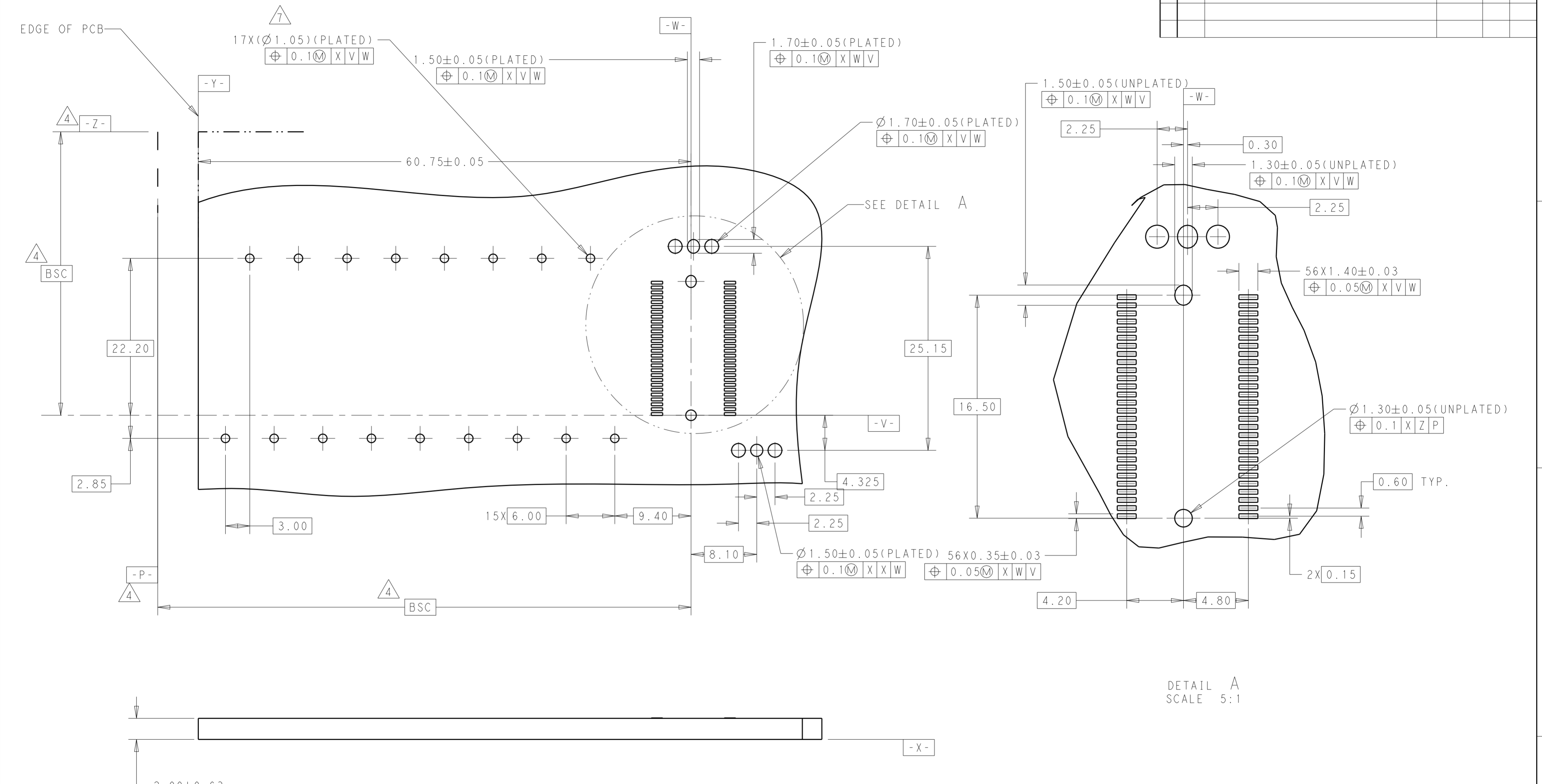
EMI GASKET 2XØ1.60±0.08

THIS PRINT IS
PRELIMINARY
 UNQUALIFIED PRODUCT
 CONTACT PRODUCT ENGINEERING
 BEFORE USING THIS PRINT

THIS DRAWING IS A CONTROLLED DOCUMENT.		DWN ANDY.XIE 16 JUN 2015	STE TE Connectivity																
		CHK SEAN.HAN 16 JUN 2015																	
		APVD SEAN.HAN 16 JUN 2015	NAME HARD WARE KIT FOR CFP4 1X1																
DIMENSIONS: mm		TOLERANCES UNLESS OTHERWISE SPECIFIED:		PRODUCT SPEC															
<table border="0"> <tr><td>0 PLC</td><td>±</td><td>-</td></tr> <tr><td>1 PLC</td><td>±0.25</td><td></td></tr> <tr><td>2 PLC</td><td>±0.13</td><td></td></tr> <tr><td>3 PLC</td><td>±0.10</td><td></td></tr> <tr><td>4 PLC</td><td>±</td><td>-</td></tr> </table>		0 PLC	±	-	1 PLC	±0.25		2 PLC	±0.13		3 PLC	±0.10		4 PLC	±	-	APPLICATION SPEC		RESTRICTED TO
0 PLC	±	-																	
1 PLC	±0.25																		
2 PLC	±0.13																		
3 PLC	±0.10																		
4 PLC	±	-																	
MATERIAL		WEIGHT		SIZE A2															
		Customer Drawing		CAGE CODE -															
		SCALE 4:1		DRAWING NO C-2294014															
		SHEET 3 OF 6		REV 3															

THIS DRAWING IS UNPUBLISHED. RELEASED FOR PUBLICATION 20
 © COPYRIGHT 20 BY - ALL RIGHTS RESERVED.

REVISIONS				
P	LTR	DESCRIPTION	DATE	APVD
-	-	SEE SHEET 1	-	-

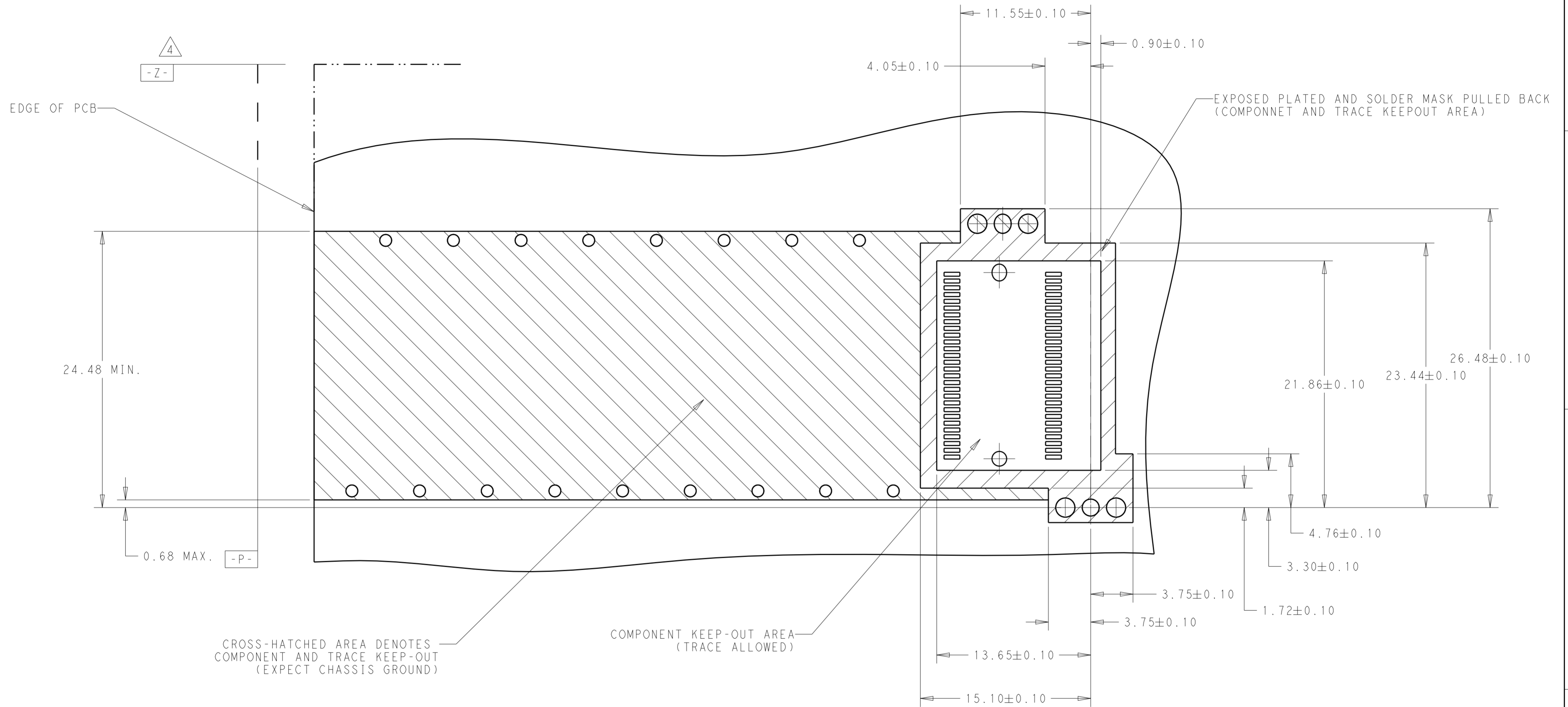


THIS PRINT IS
PRELIMINARY
 UNQUALIFIED PRODUCT
 CONTACT PRODUCT ENGINEERING
 BEFORE USING THIS PRINT

THIS DRAWING IS A CONTROLLED DOCUMENT.		DWN ANDY.XIE 16 JUN 2015	TE Connectivity	
DIMENSIONS: mm		CHK SEAN.HAN 16 JUN 2015		
TOLERANCES UNLESS OTHERWISE SPECIFIED:		APVD SEAN.HAN 16 JUN 2015	NAME HARD WARE KIT FOR CFP4 1X1	
0 PLC \pm	1 PLC ± 0.25	PRODUCT SPEC	SIZE A2	CAGE CODE -
2 PLC ± 0.13	3 PLC ± 0.10	APPLICATION SPEC	DRAWING NO. C-2294014	RESTRICTED TO -
4 PLC \pm	ANGLES \pm	WEIGHT -	SCALE 4:1	SHEET 4 OF 6
MATERIAL -	FINISH -	Customer Drawing	REV 3	

THIS DRAWING IS UNPUBLISHED. RELEASED FOR PUBLICATION 20
 © COPYRIGHT 20 BY - ALL RIGHTS RESERVED.

REVISIONS				
P	LTR	DESCRIPTION	DATE	APVD
-	-	SEE SHEET 1	-	-



CROSS-HATCHED AREA DENOTES
 COMPONENT AND TRACE KEEP-OUT
 (EXPECT CHASSIS GROUND)

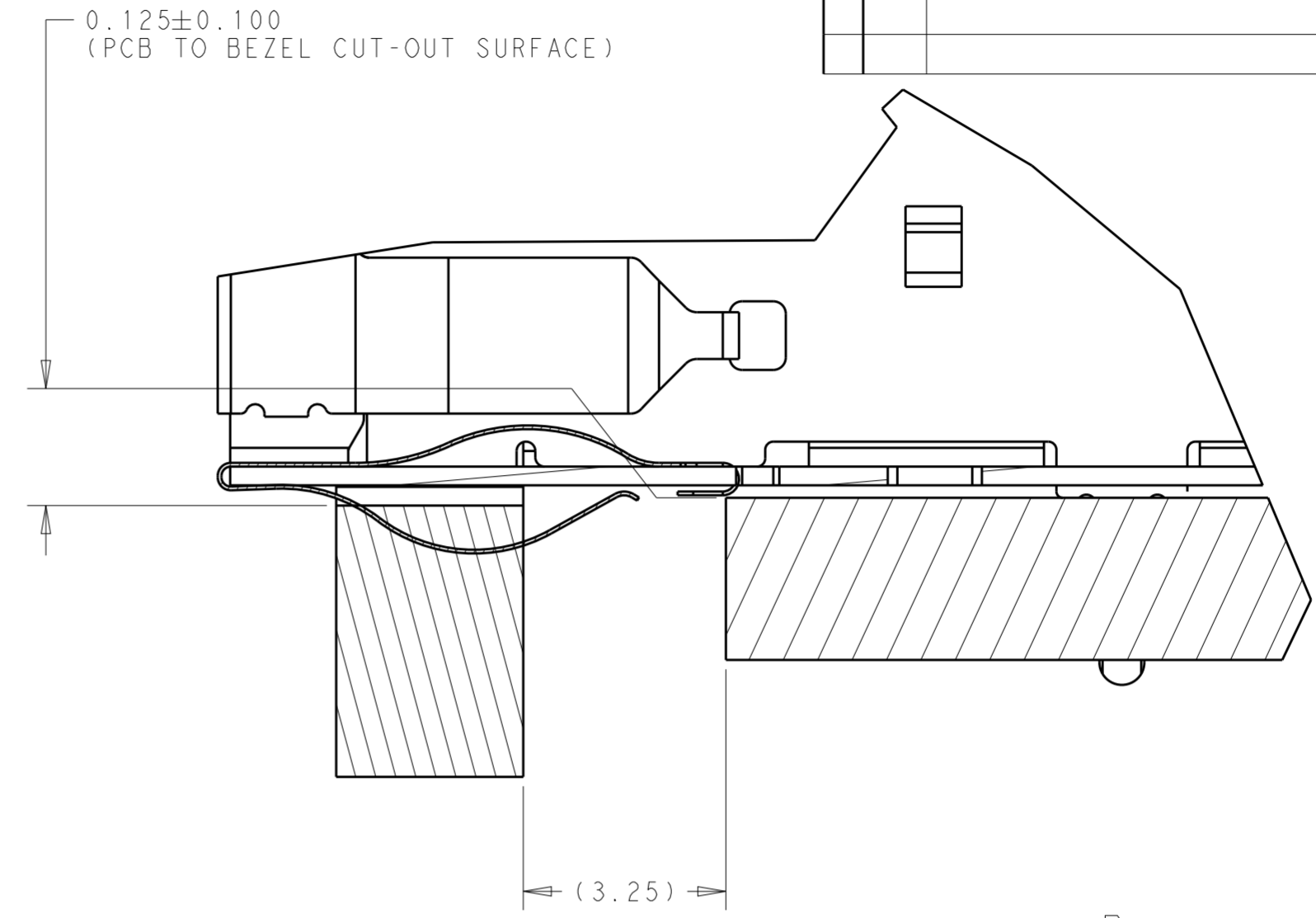
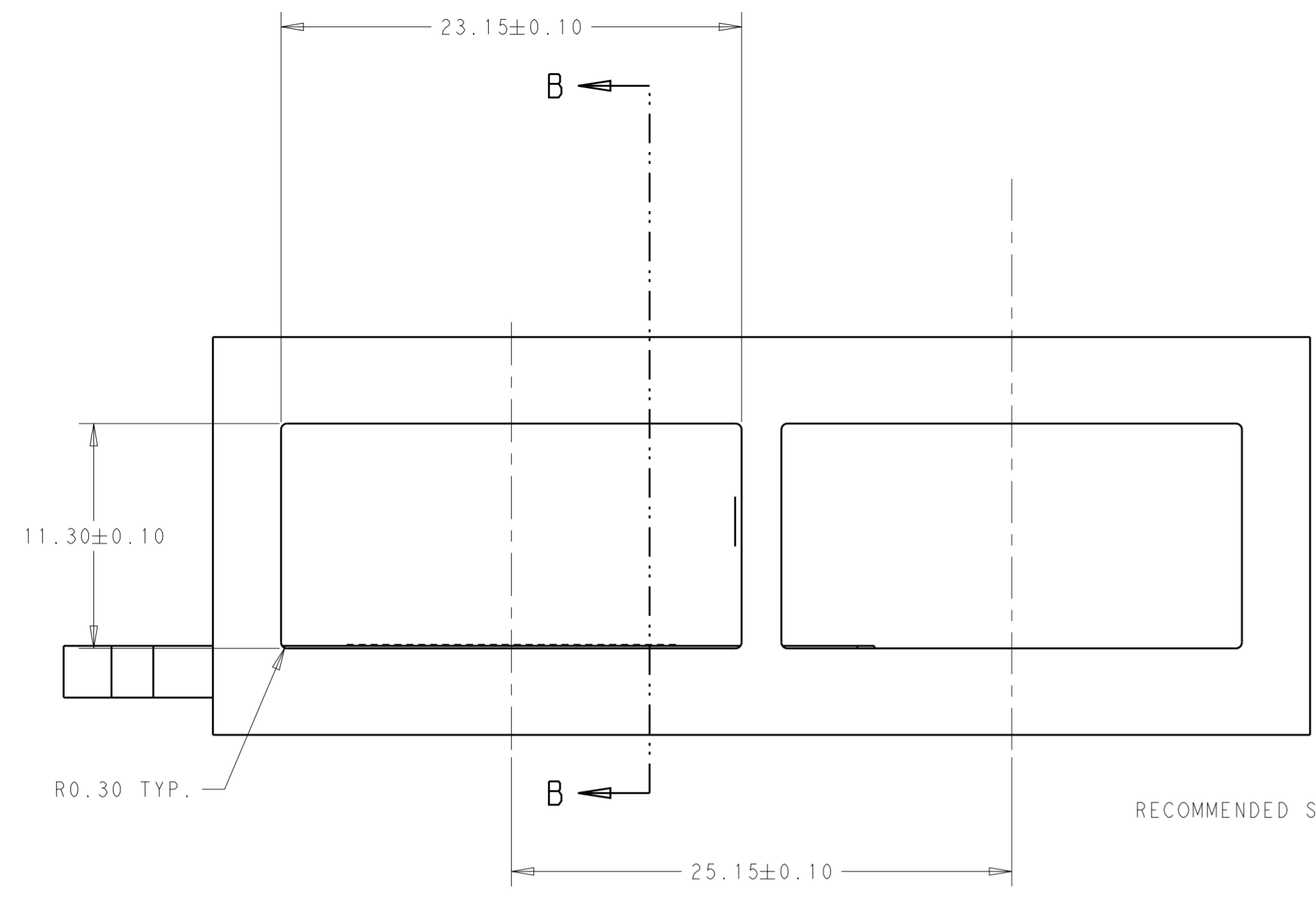
COMPONENT KEEP-OUT AREA
 (TRACE ALLOWED)

THIS PRINT IS
PRELIMINARY
 UNQUALIFIED PRODUCT
 CONTACT PRODUCT ENGINEERING
 BEFORE USING THIS PRINT

THIS DRAWING IS A CONTROLLED DOCUMENT.		DWN ANDY.XIE 16 JUN 2015	STE TE Connectivity	
		CHK SEAN.HAN 16 JUN 2015		
		APVD SEAN.HAN 16 JUN 2015	NAME HARD WARE KIT FOR CFP4 1X1	
DIMENSIONS: mm		PRODUCT SPEC -		SIZE A2
TOLERANCES UNLESS OTHERWISE SPECIFIED: 0 PLC ± 1 PLC ±0.25 2 PLC ±0.13 3 PLC ±0.10 4 PLC ± ANGLES ± FINISH ±		APPLICATION SPEC -		CAGE CODE -
MATERIAL -		WEIGHT -		DRAWING NO C-2294014
		Customer Drawing		RESTRICTED TO -
		SCALE 4:1		SHEET 5 OF 6 REV 3

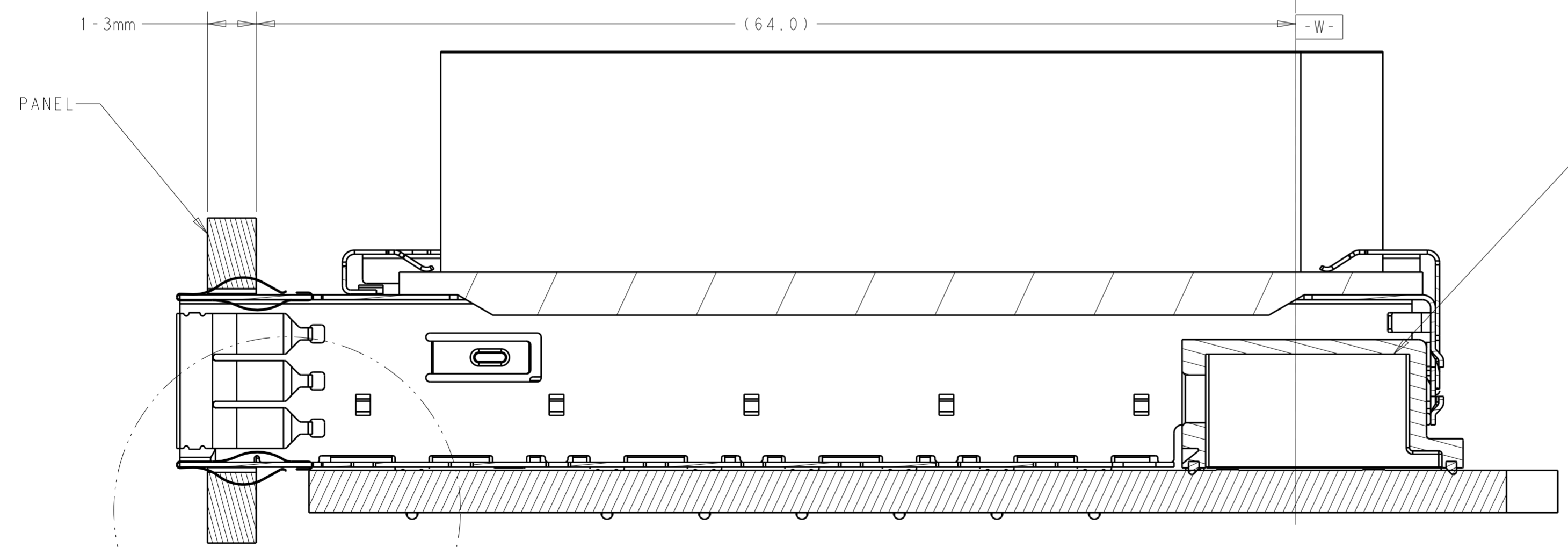
THIS DRAWING IS UNPUBLISHED. RELEASED FOR PUBLICATION 20
 © COPYRIGHT 20 BY - ALL RIGHTS RESERVED.

REVISIONS				
P	LTR	DESCRIPTION	DATE	APVD
-		SEE SHEET 1	-	-



RECOMMENDED SINGLE SIDE APPLICATION

DETAIL B
SCALE 10:1



SEE DETAIL B

SECTION B-B
SCALE 4:1

THIS PRINT IS
PRELIMINARY
UNQUALIFIED PRODUCT
CONTACT PRODUCT ENGINEERING
BEFORE USING THIS PRINT

THIS DRAWING IS A CONTROLLED DOCUMENT.		DWN ANDY.XIE 16 JUN 2015	STE TE Connectivity	
DIMENSIONS: mm		CHK SEAN.HAN 16 JUN 2015		
TOLERANCES UNLESS OTHERWISE SPECIFIED:		APVD SEAN.HAN 16 JUN 2015	NAME HARD WARE KIT FOR CFP4 1X1	
0 PLC ±		PRODUCT SPEC	SIZE A2	
1 PLC ±0.25		APPLICATION SPEC	CAGE CODE -	
2 PLC ±0.13		WEIGHT	DRAWING NO C-2294014	
3 PLC ±0.10		Customer Drawing	RESTRICTED TO -	
4 PLC ±		SCALE 4:1	SHEET 6 OF 6	
ANGLES ±			REV 3	
FINISH ±				