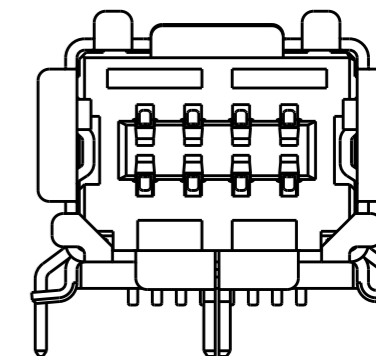
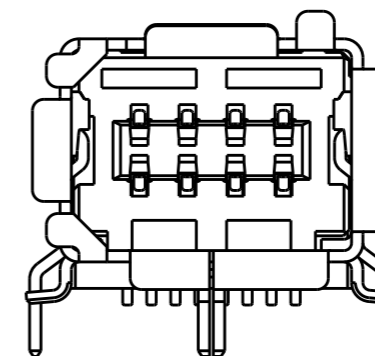
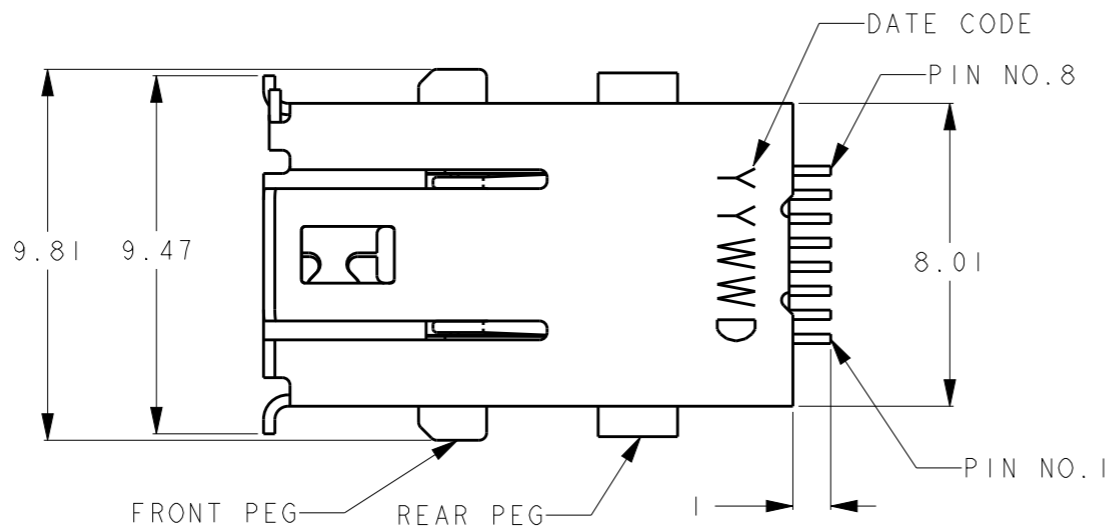


THIS DRAWING IS UNPUBLISHED. RELEASED FOR PUBLICATION 2016
 © COPYRIGHT 2016 BY Tyco Electronics Japan G.K. ALL RIGHTS RESERVED.

- 1 : AS SHOWN

REVISIONS

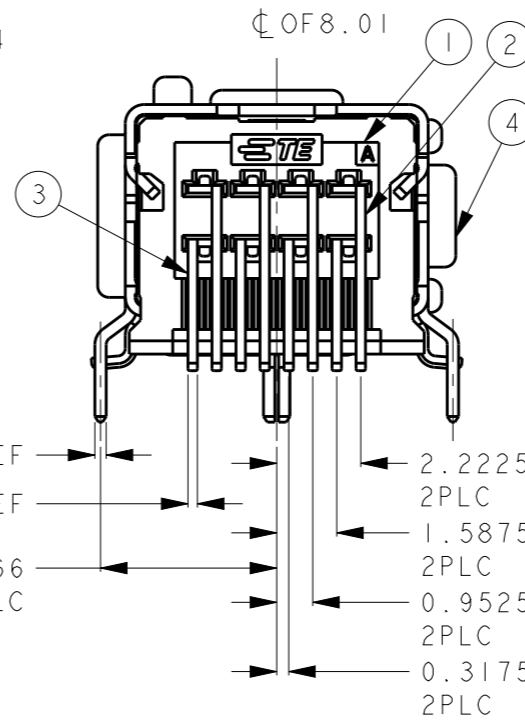
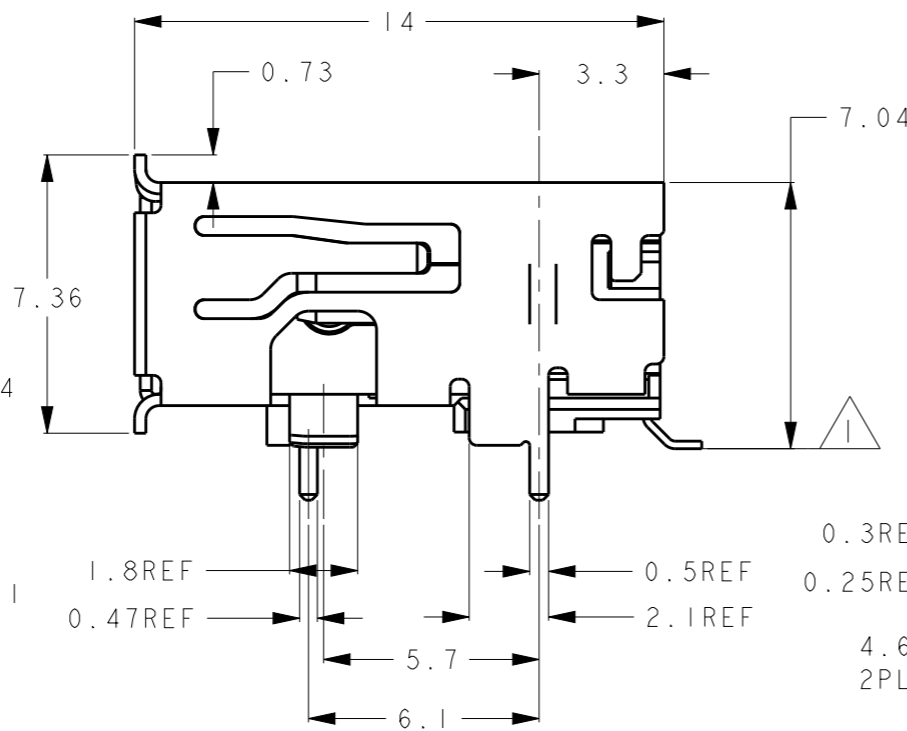
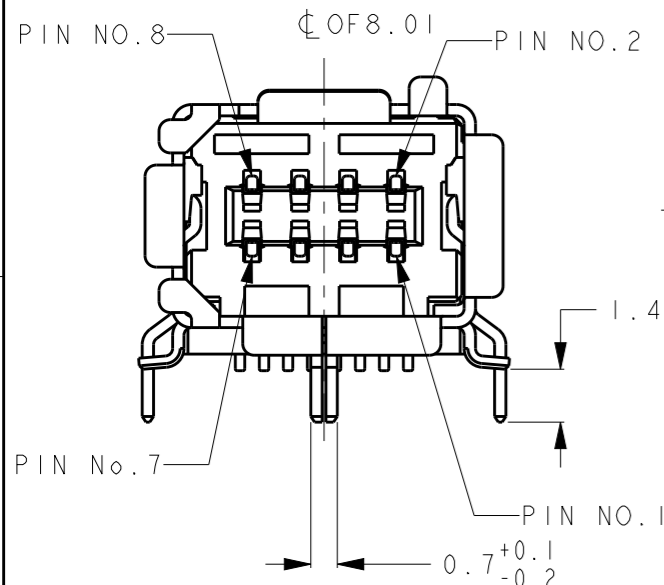
P	LTR	DESCRIPTION	DATE	DWN	APVD
A		RELEASED	28JUN2016	T.S	N.Y
B		REVISED	11JUL2016	T.S	N.Y
BI		RELEASED PER ECR-18-009389	18JUN2018	PP	YO



TYPE I

TYPE II

P/N	D-SHAPE	HOUSING COLOR
2294417-4	TYPE II	NATURAL
2294417-2	TYPE II	BLACK
2294417-1	TYPE I	BLACK



1 COPLANARITY: 0.08MAX (FRONT PEG, CONTACT)

2 DIMENSION DECIDED BY CUSTOMER

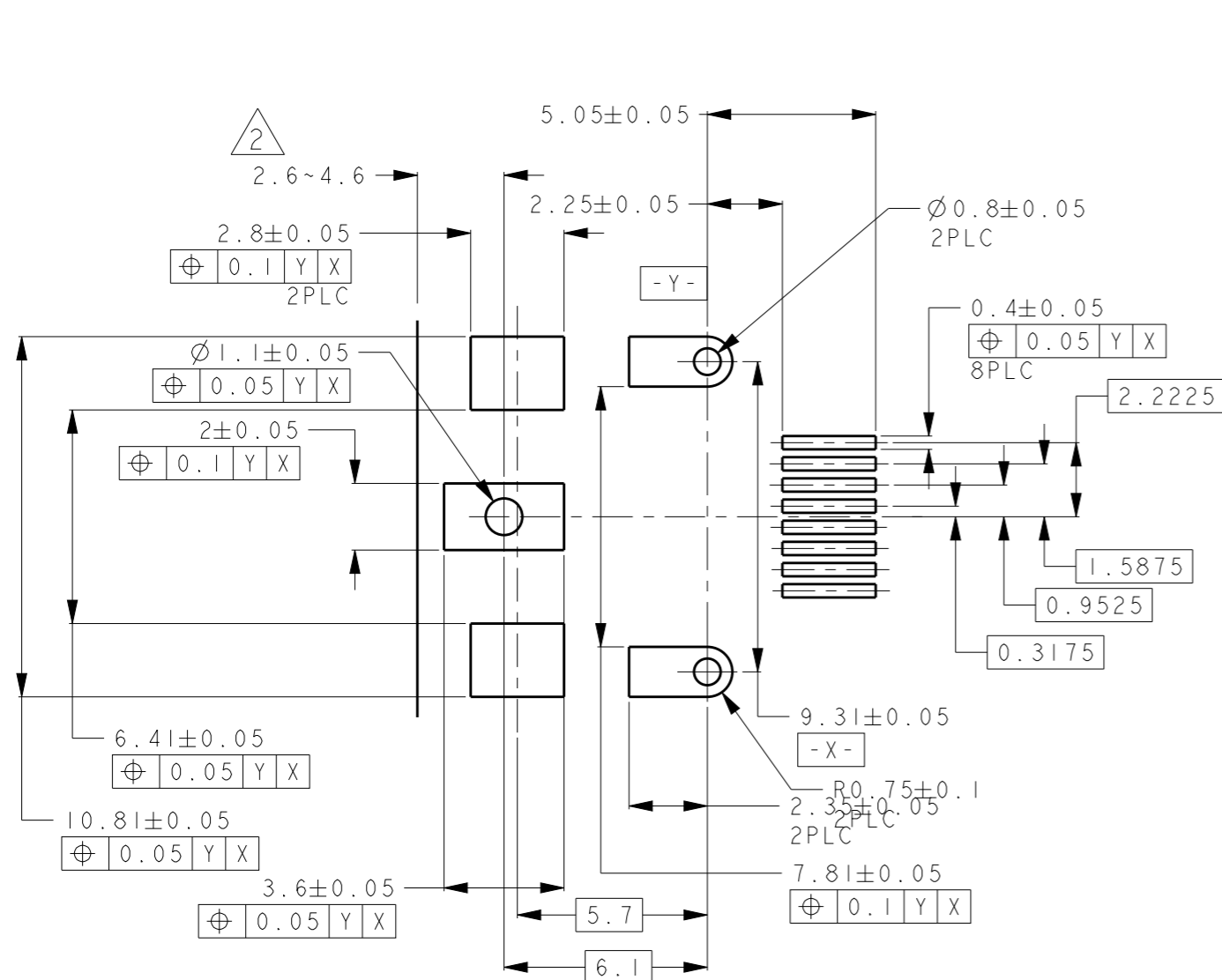
3. PRODUCT QUANTITY : 300/REEL

ITEM	QTY	DESCRIPTION	ITEM	
1	1	HDR SHELL TYPE II MATERIAL:SUS UNDER ALL SURFACE Ni 0.00127MIN ALL SURFACE Sn 0.002MIN	4	
-	-	HDR SHELL TYPE I MATERIAL:SUS UNDER ALL SURFACE Ni 0.00127MIN ALL SURFACE Sn 0.002MIN	-	
4	4	HDR LOWER CONTACT MATERIAL:COPPER ALLOY UNDER ALL SURFACE Ni 0.00127MIN CONTACT AREA Au 0.0005MIN SOLDERING AREA Sn 0.002MIN	3	
4	4	HDR UPPER CONTACT MATERIAL:COPPER ALLOY UNDER ALL SURFACE Ni 0.00127MIN CONTACT AREA Au 0.0005MIN SOLDERING AREA Sn 0.002MIN	2	
1	-	HDR HOUSING MATERIAL:THERMO PLASTIC(UL94 V-0) COLOR:NATURAL	1	
-	1	HDR HOUSING MATERIAL:THERMO PLASTIC(UL94 V-0) COLOR:BLACK	-	
-4	-2	-1	DESCRIPTION	ITEM

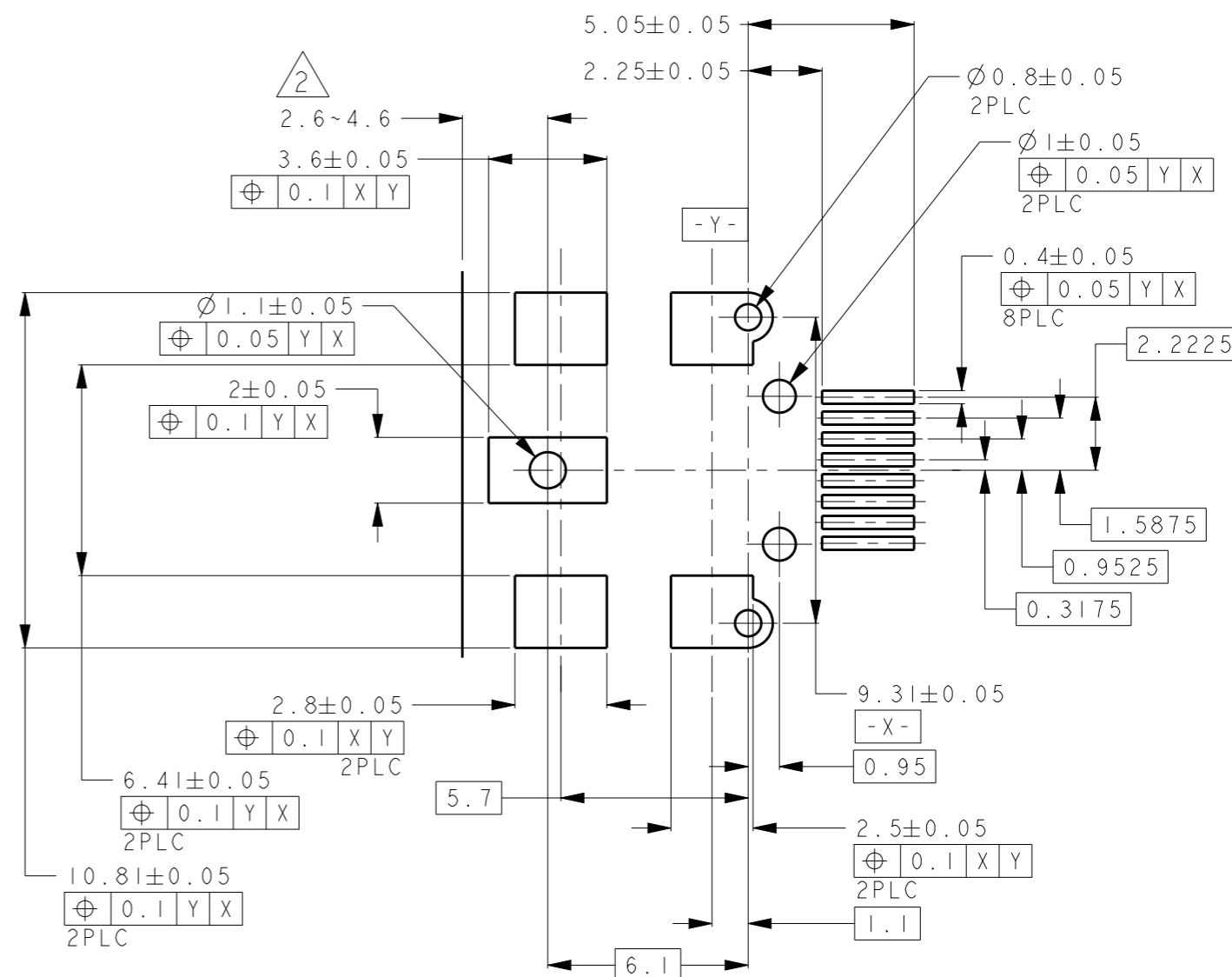
THIS DRAWING IS A CONTROLLED DOCUMENT.		DWN 28JUN2016 T. SHIMOYASU	TE Connectivity	
DIMENSIONS: 単位: 概 mm		CHK 28JUN2016 E. TAKEMASA		
TOLERANCES UNLESS OTHERWISE SPECIFIED: 一般公差 ±0.3		APVD 28JUN2016 N. YAMASAKI	NAME 名称 INDUSTRIAL MINI I/O CONN. 1.27MM PITCH 8P HDR ASSY SMT EMBOSS	
0 PLC ± 1 PLC ± 2 PLC ± 3 PLC ± 4 PLC ± ANGLES ±5°		PRODUCT SPEC 108-78405	SIZE A3	CAGE CODE -
MATERIAL 材料		APPLICATION SPEC 114-32132	DRAWING NO 番号 C-2294417	RESTRICTED TO -
FINISH 仕上		WEIGHT 1.08g	SCALE 尺度 5:1	SHEET 1 OF 3
		CUSTOMER DRAWING	REV BI	

REVISIONS

P	LTR	DESCRIPTION	DATE	DWN	APVD
		SEE SHEET 1			



REFERENCE PCB DIMENSIONS (STANDARD) t=1.6±0.1



REFERENCE PCB DIMENSIONS (SAME AS 1981080-1/1981386-1) t=1.6±0.1

THIS DRAWING IS A CONTROLLED DOCUMENT.		DWN	 TE Connectivity	
DIMENSIONS: 単位: 耗 mm		CHK		
TOLERANCES UNLESS OTHERWISE SPECIFIED: 一般公差 ±0.3		APVD		
0-PLC ± 1-PLC ± 2-PLC ± 3-PLC ± 4-PLC ± ANGLES ±5°		PRODUCT SPEC 製品規格	NAME 名称 INDUSTRIAL MINI I/O CONN. 1.27MM PITCH 8P HDR ASSY SMT EMBOSS	
MATERIAL 材料		FINISH 仕上	APPLICATION SPEC 取付適用規格	RESTRICTED TO
		WEIGHT	SIZE A3	CAGE CODE -
		CUSTOMER DRAWING	DRAWING NO 番号 C-2294417	SCALE 尺度 5:1
			SHEET 2 OF 3	REV B1

THIS DRAWING IS UNPUBLISHED.

RELEASED FOR PUBLICATION

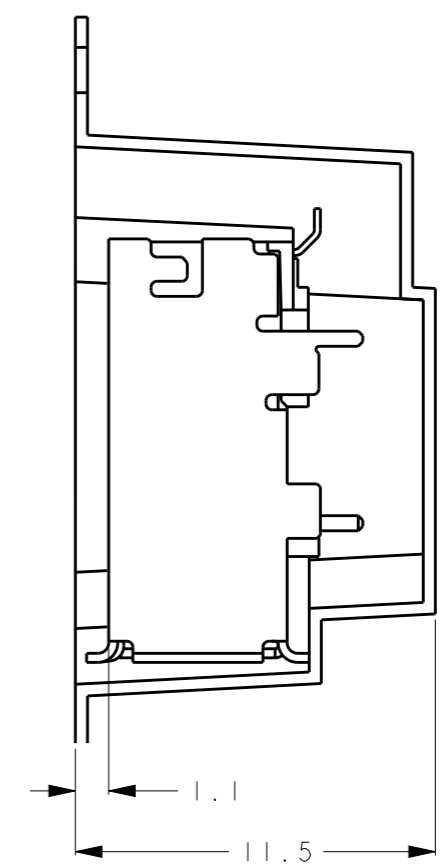
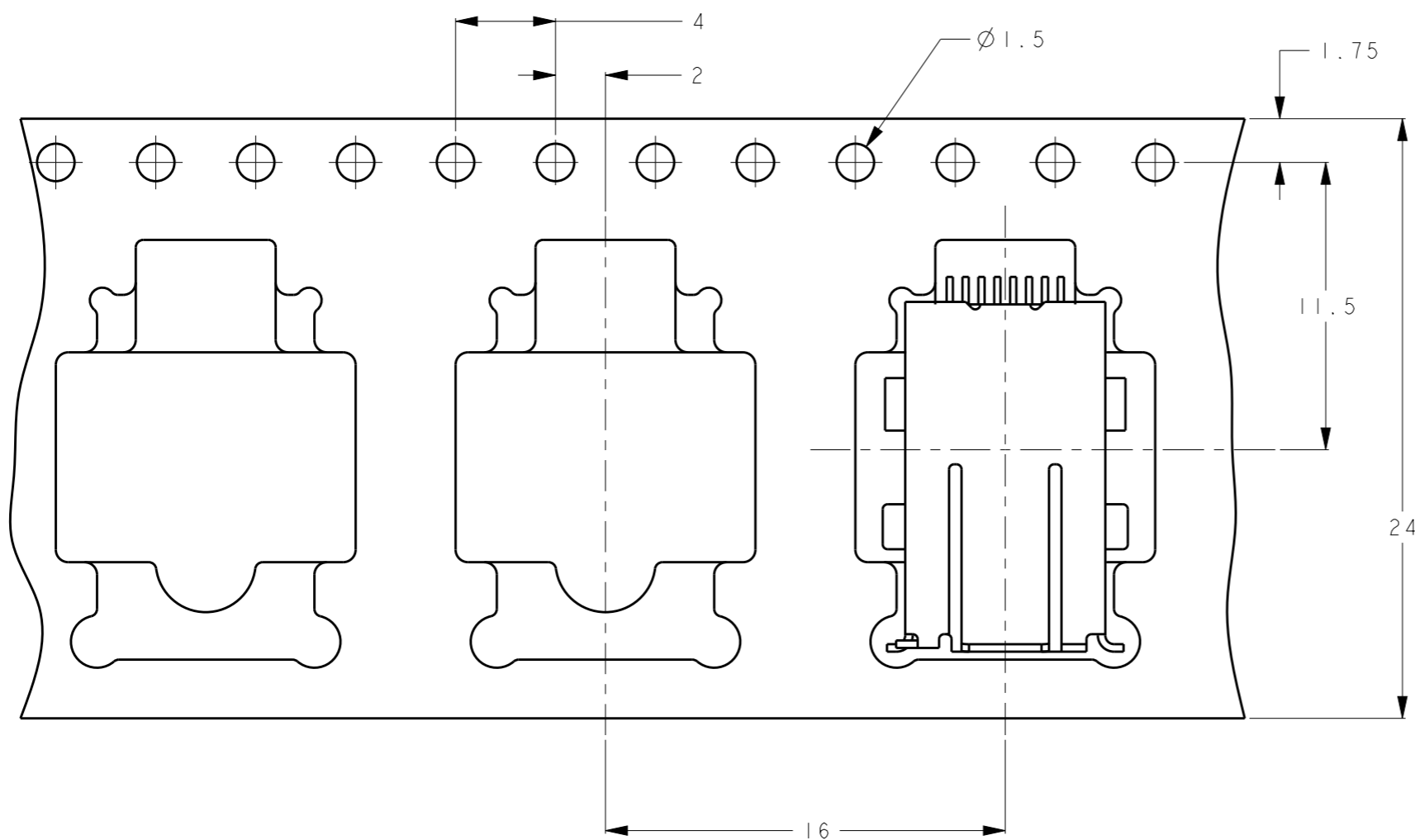
2016

© COPYRIGHT 2016 BY Tyco Electronics Japan G.K. ALL RIGHTS RESERVED.

REVISIONS

変更

P	LTR	DESCRIPTION	DATE	DWN	APVD
		SEE SHEET 1			



EMBOSS TAPE

THIS DRAWING IS A CONTROLLED DOCUMENT.

DIMENSIONS: 単位: 耗 mm		TOLERANCES UNLESS OTHERWISE SPECIFIED:	
		一般公差	± 0.5
		0-PLC	\pm
		1-PLC	\pm
		2-PLC	\pm
		3-PLC	\pm
MATERIAL 材料		FINISH 仕上	4-PLC \pm
		ANGLES	$\pm 5^\circ$

DWN
CHK
APVD
PRODUCT SPEC 製品規格
APPLICATION SPEC 取付適用規格
WEIGHT
CUSTOMER DRAWING

STE TE Connectivity

NAME
名称 INDUSTRIAL MINI I/O CONN.
1.27MM PITCH 8P HDR ASSY SMT EMBOSS

SIZE A3	CAGE CODE -	DRAWING NO 番号 C-2294417	RESTRICTED TO -
------------	----------------	-------------------------------	--------------------

SCALE
尺度 4:1 SHEET 3 OF 3 REV B1