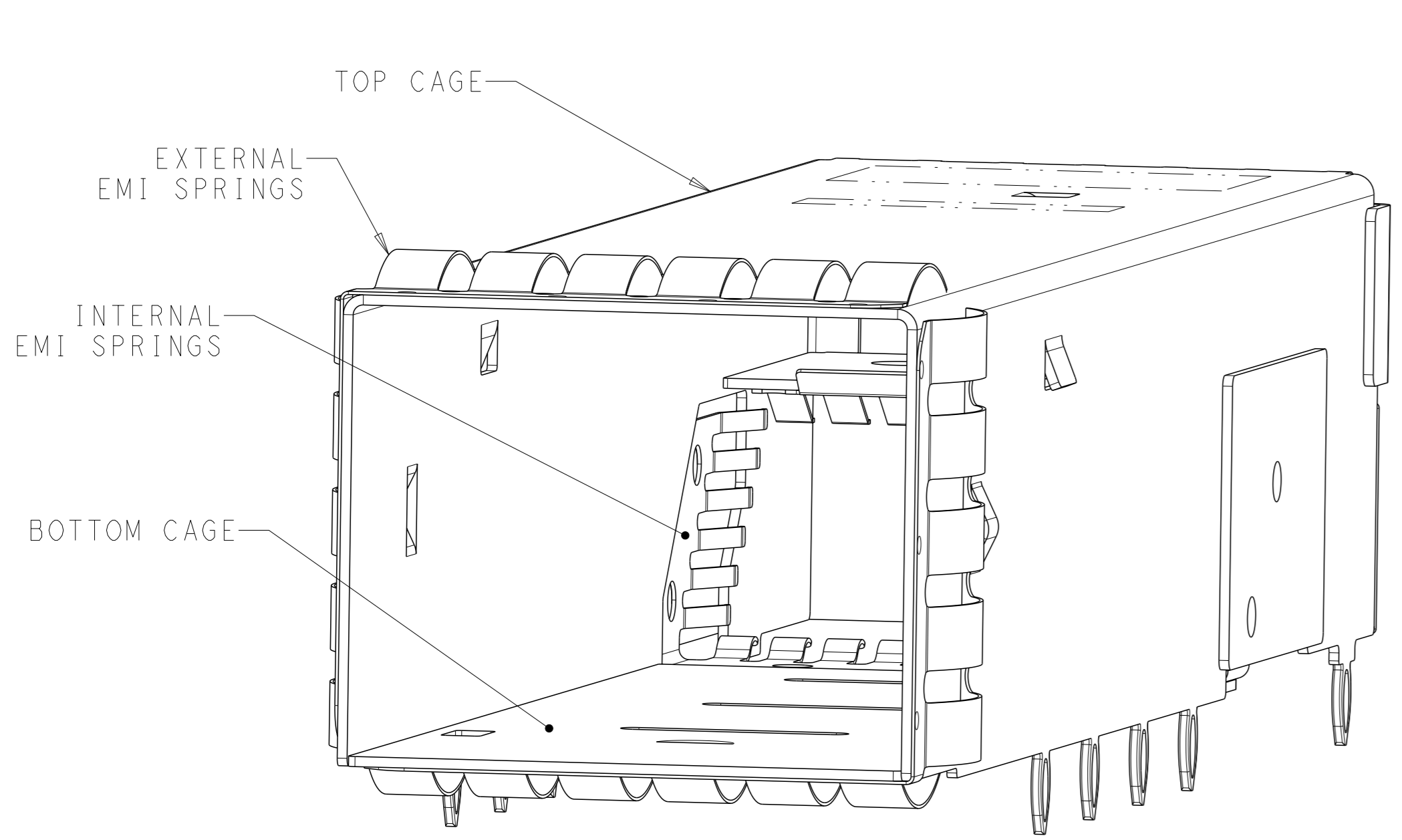
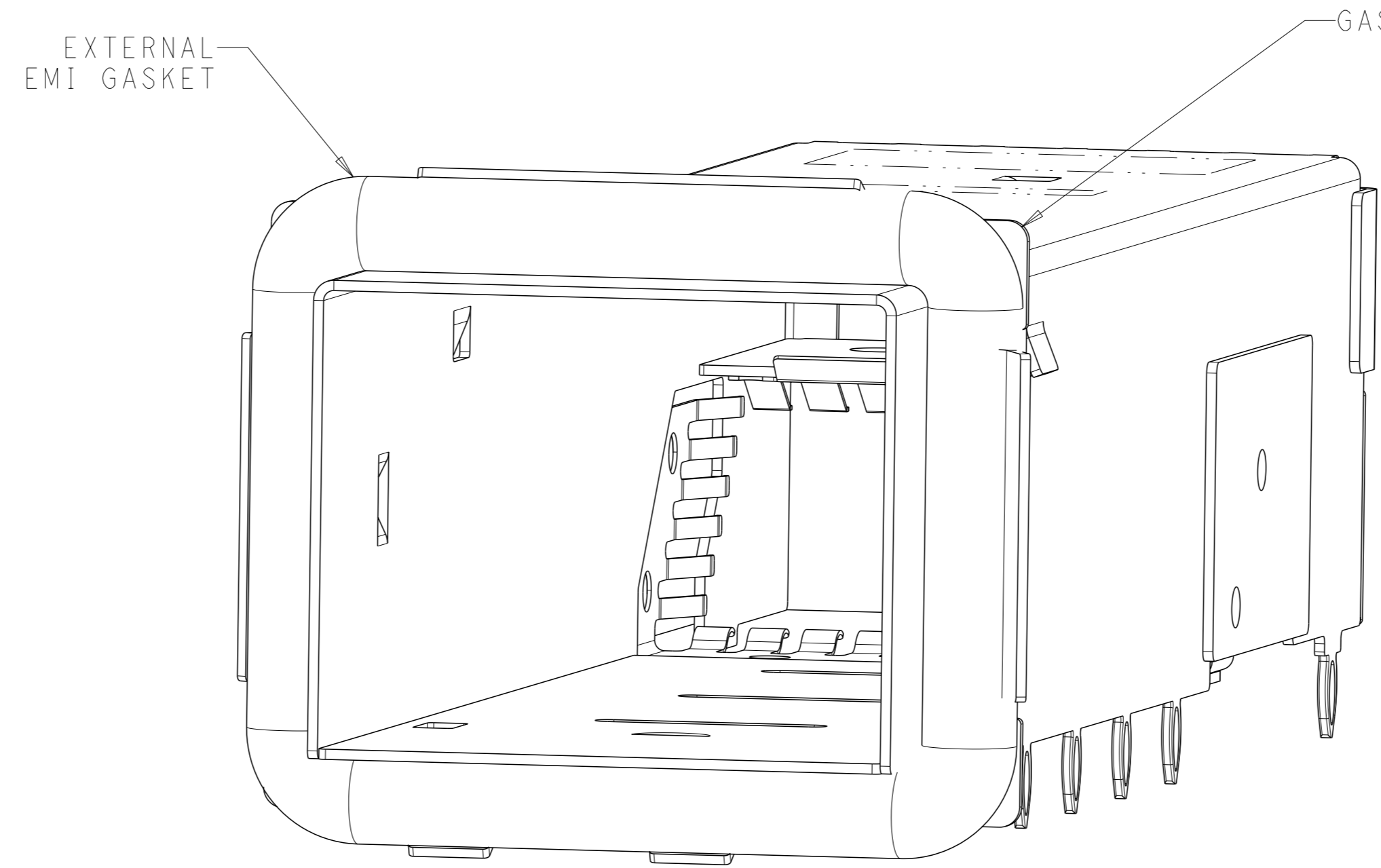


REVISIONS				
#	DATE	DESCRIPTION	OWN	APVD
A	05OCT2017	REVISED PER ECO-17-013049	A.P	E.B

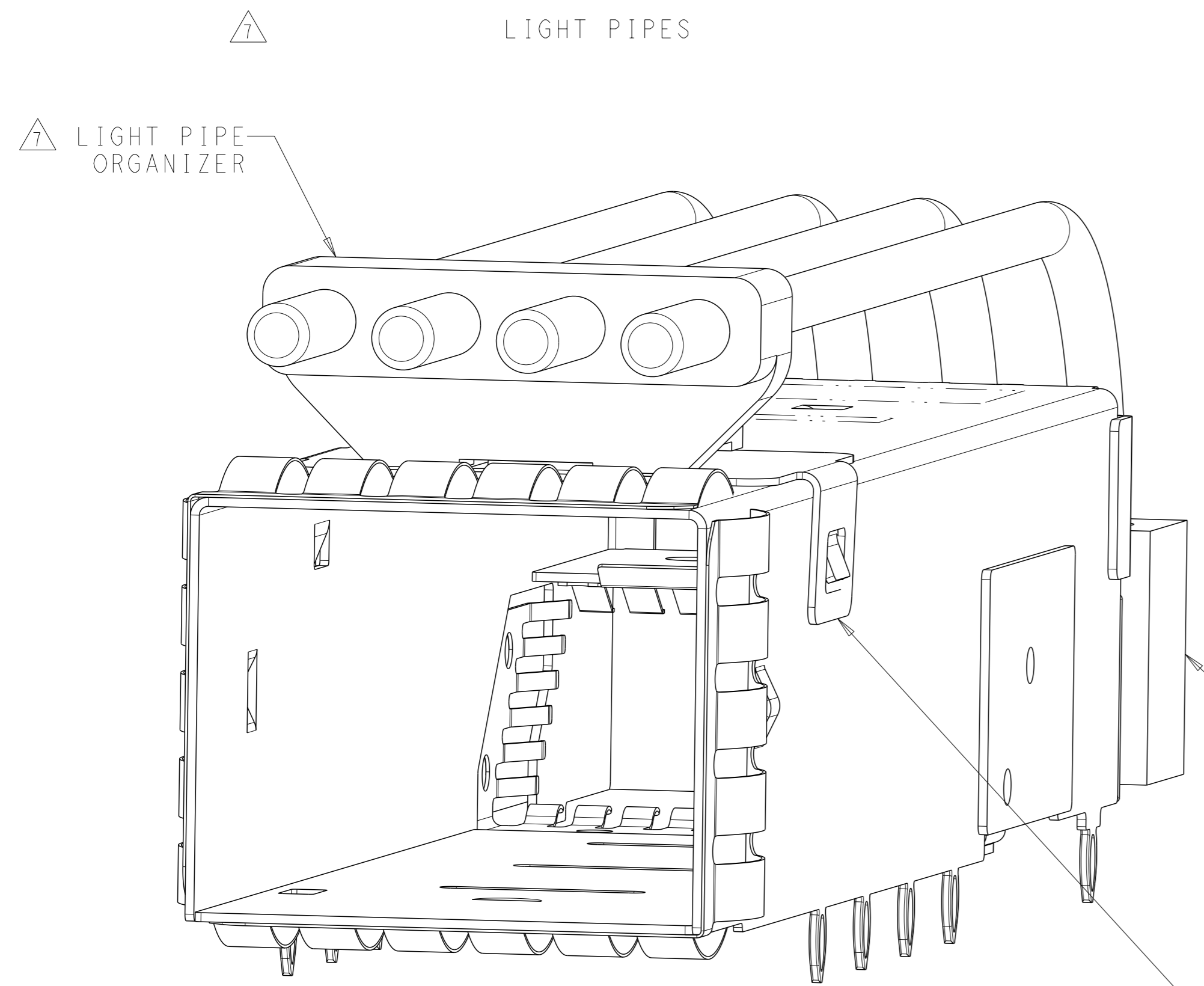


2297551-1
ISOMETRIC VIEW
SCALE 8:1



2297551-2
ISOMETRIC VIEW
SCALE 8:1

1. MATERIALS:
 TOP AND BOTTOM CAGE - STAINLESS STEEL
 GASKET FLANGE - STAINLESS STEEL
 EXTERNAL EMI SPRINGS - COPPER ALLOY
 EXTERNAL EMI GASKET - NICKEL CARBON
 INTERNAL EMI SPRINGS - COPPER ALLOY
 LIGHT PIPES - CLEAR POLYCARBONATE
 LIGHT PIPE ORGANIZERS - POLYCARBONATE
 LIGHT PIPE BRACKET - STAINLESS STEEL
- △2 FOR HOLE SIZE AND PLATINGS SEE APPLICATION SPEC 114-32151.
 - △3 NOTE REMOVED.
 - △4 LED PLACEMENT AREA FOR 4 LIGHT PIPE DASH NUMBERS.
 - △5 LED PLACEMENT AREA FOR 2 LIGHT PIPE DASH NUMBERS.
 - △6 LED PLACEMENT AREA FOR 1 LIGHT PIPE DASH NUMBERS.
 - △7 LIGHT PIPE ASSEMBLY SHOWN ASSEMBLED TO CAGE ASSEMBLY FOR REFERENCE. LIGHT PIPE ASSEMBLY IS SHIPPED UNASSEMBLED TO CAGE ASSEMBLY.
 - △8 COMPONENT KEEPOUT AND SURFACE TRACE KEEPOUT (EXCEPT CHASSIS GROUND).
 - △9 COMPONENT KEEPOUT.



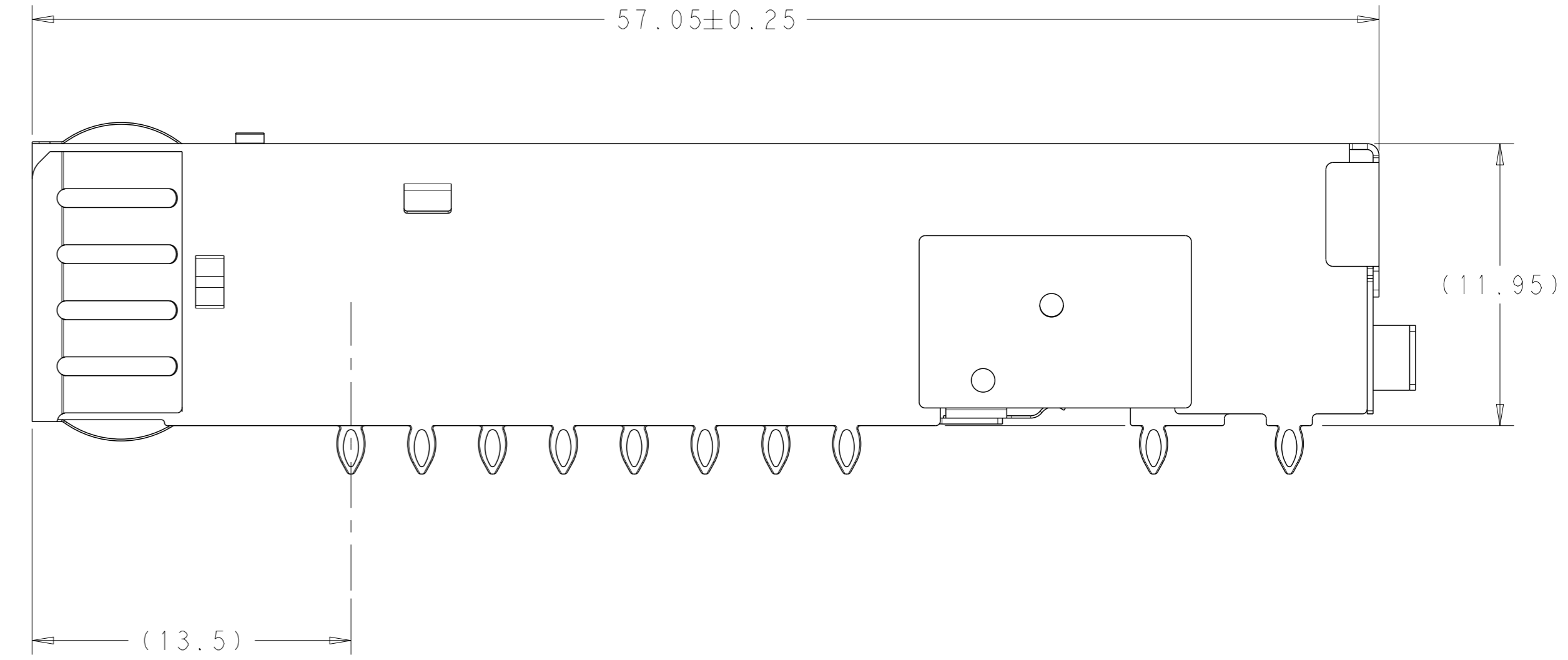
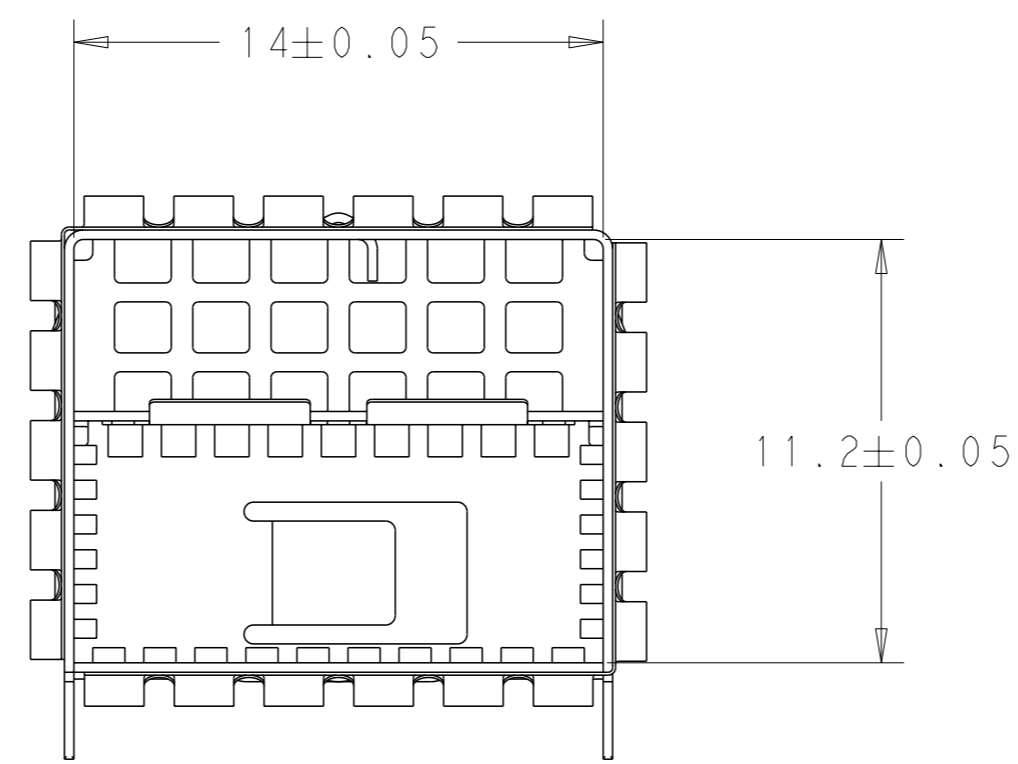
LIGHT PIPES

LIGHT PIPE ORGANIZER

LIGHT PIPE ORGANIZER

LIGHT PIPE BRACKET

4-2297551-1
ISOMETRIC VIEW
SCALE 8:1



4	GASKET	4-2297551-2
4	SPRING	4-2297551-1
2	GASKET	2-2297551-2
2	SPRING	2-2297551-1
1	GASKET	1-2297551-2
1	SPRING	1-2297551-1
0	GASKET	2297551-2
0	SPRING	2297551-1
LIGHT PIPES PER PORT		EXTERNAL EMI SHIELDING PART NUMBER

THIS DRAWING IS A CONTROLLED DOCUMENT.

OWN: C. VALENTINE 19JAN2016
 CHK: E. BRIANT 19JAN2016
 APVD: E. BRIANT 19JAN2016

NAME: CAGE ASSEMBLY, SINGLE PORT, microQSFP

PRODUCT SPEC: 108-32129
 APPLICATION SPEC: 114-32151

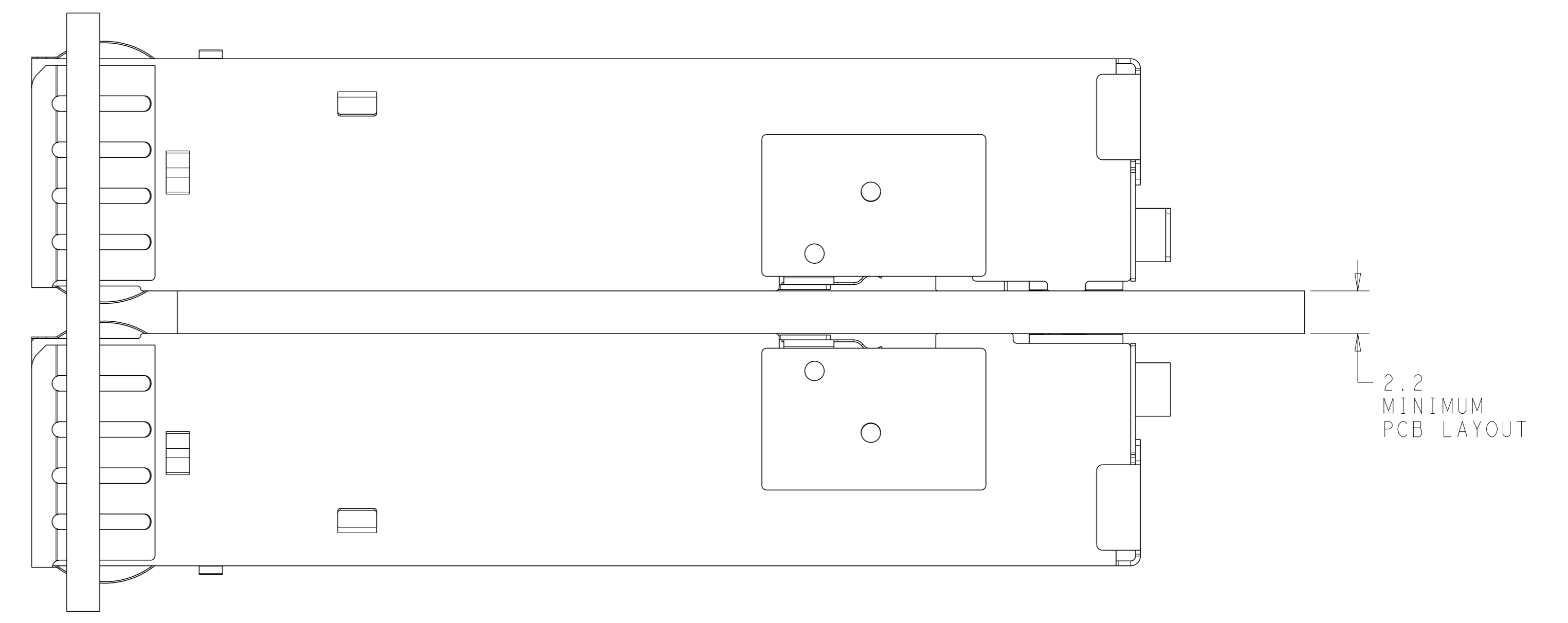
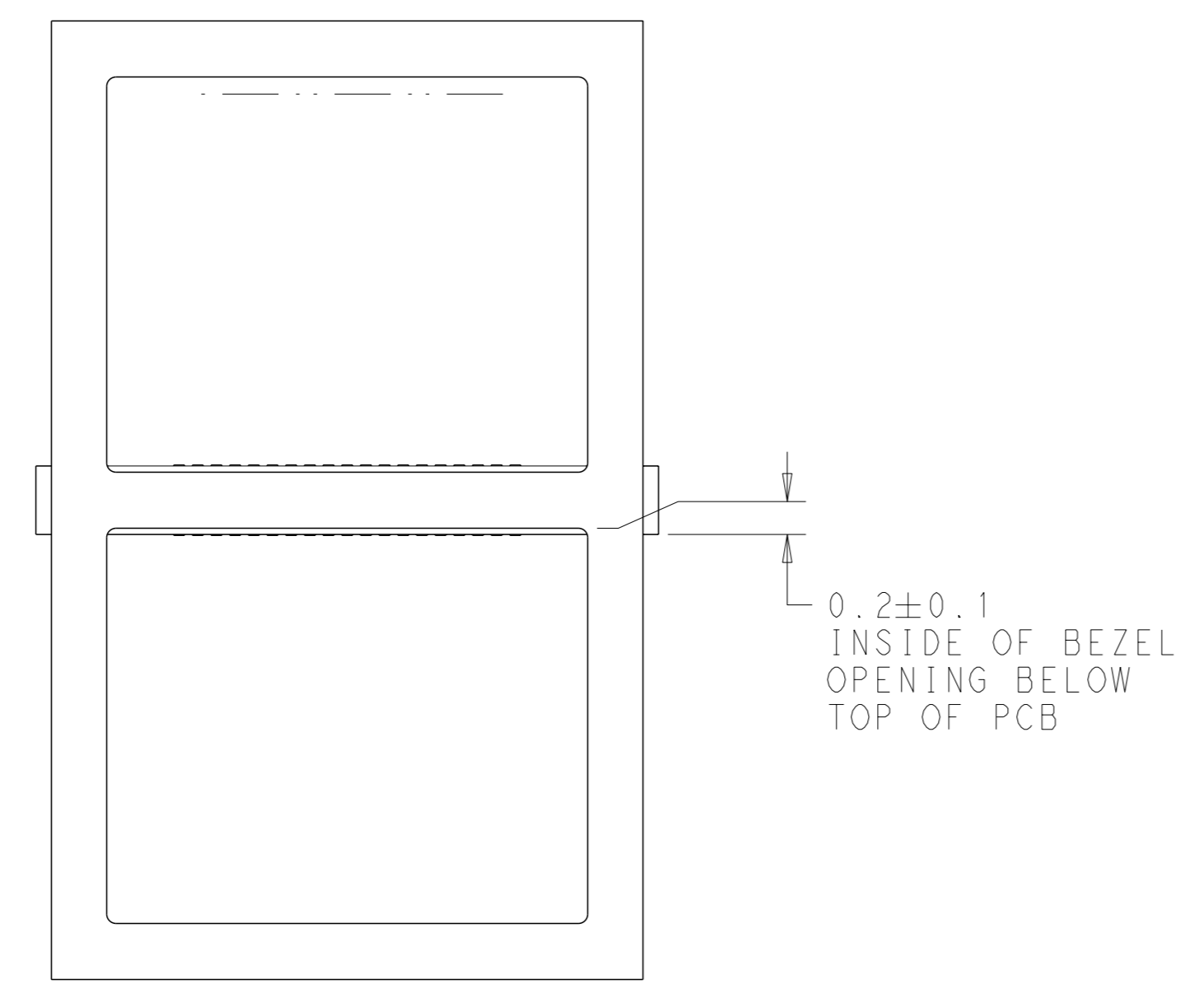
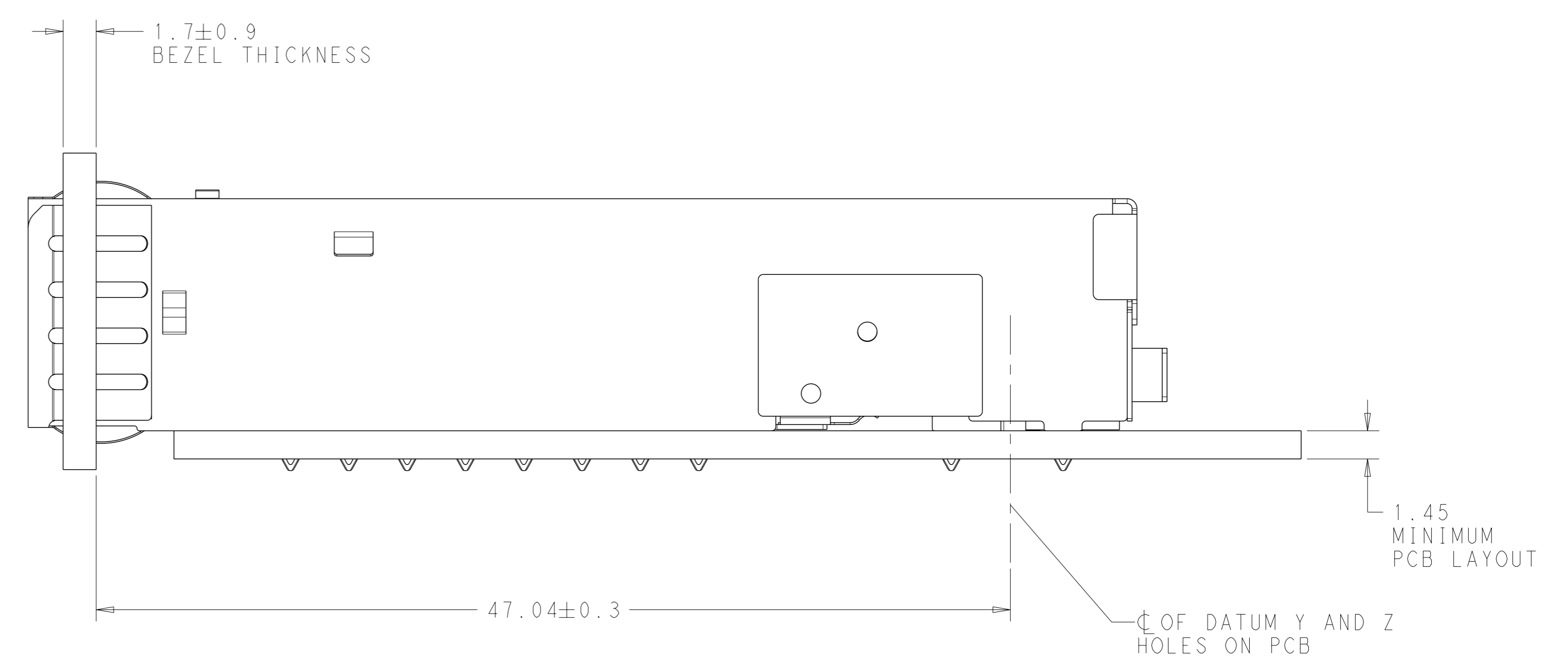
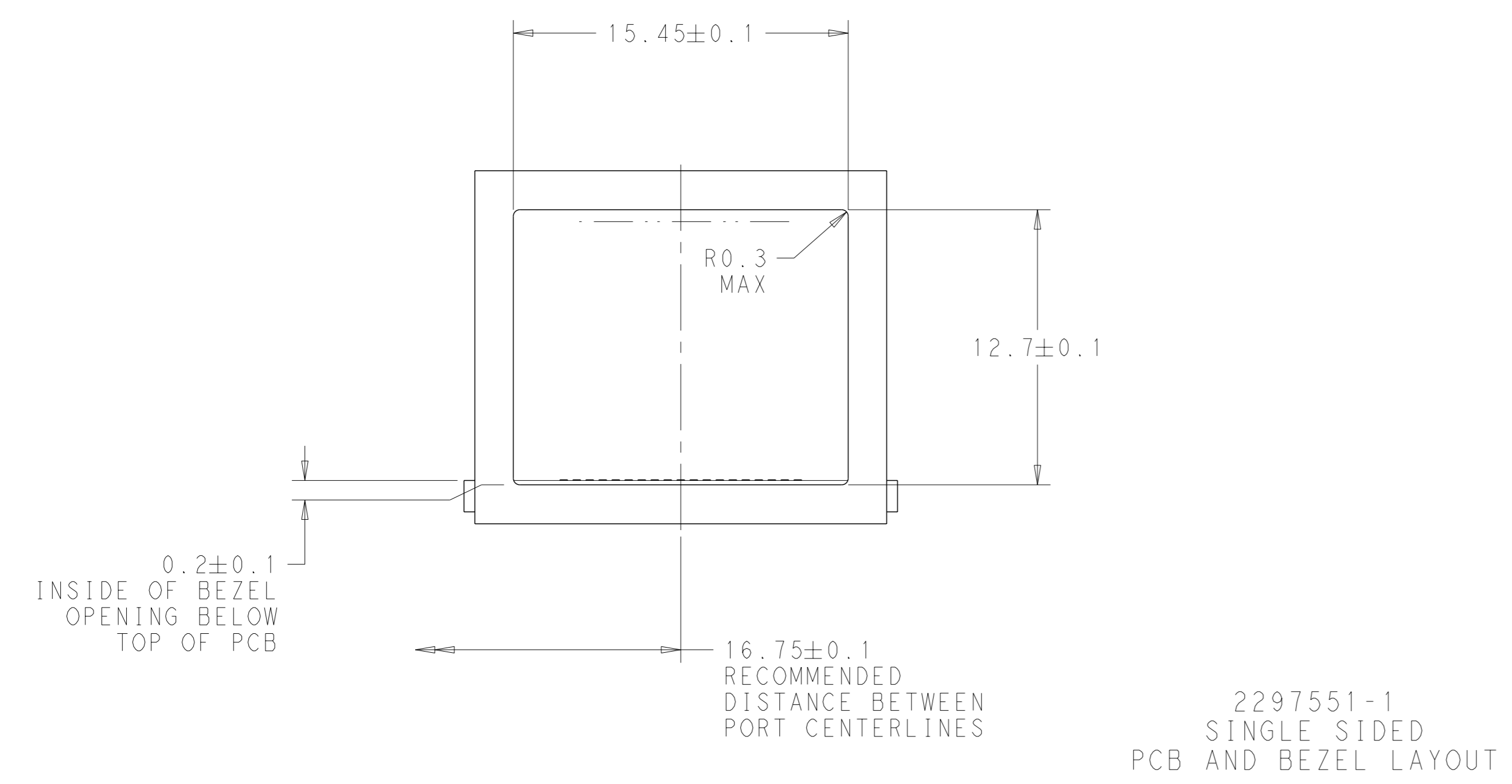
SIZE: A1
 CAGE CODE: -
 DRAWING NO: C=2297551

RESTRICTED TO: -

MATERIAL: -
 FINISH: -
 WEIGHT: -
 Customer Drawing

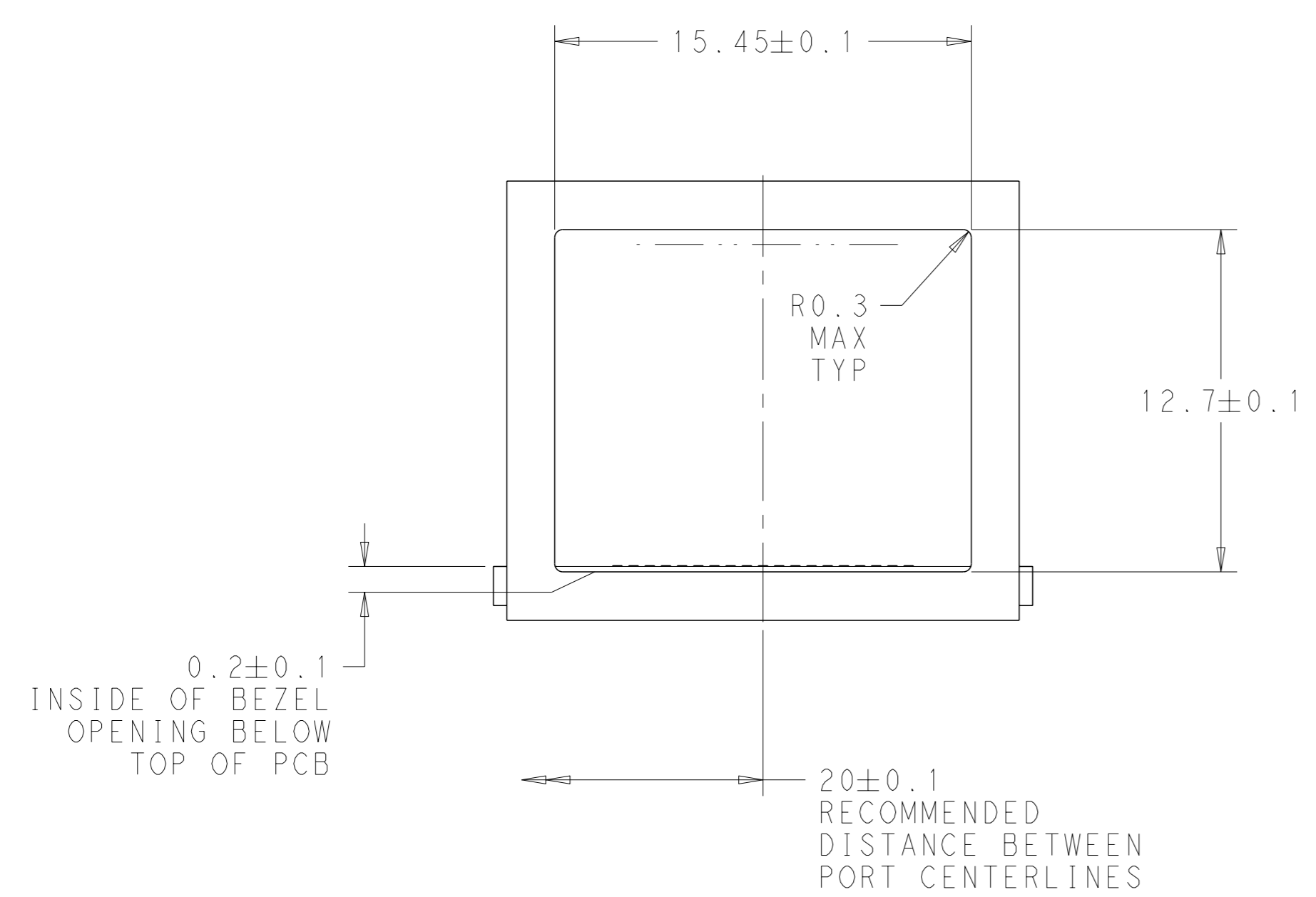
SCALE: 5:1
 SHEET: 1 OF 6
 REV: A

REVISIONS				
#	LY#	DESCRIPTION	DATE	OWN / APVD
-	-	SEE SHEET 1	-	-

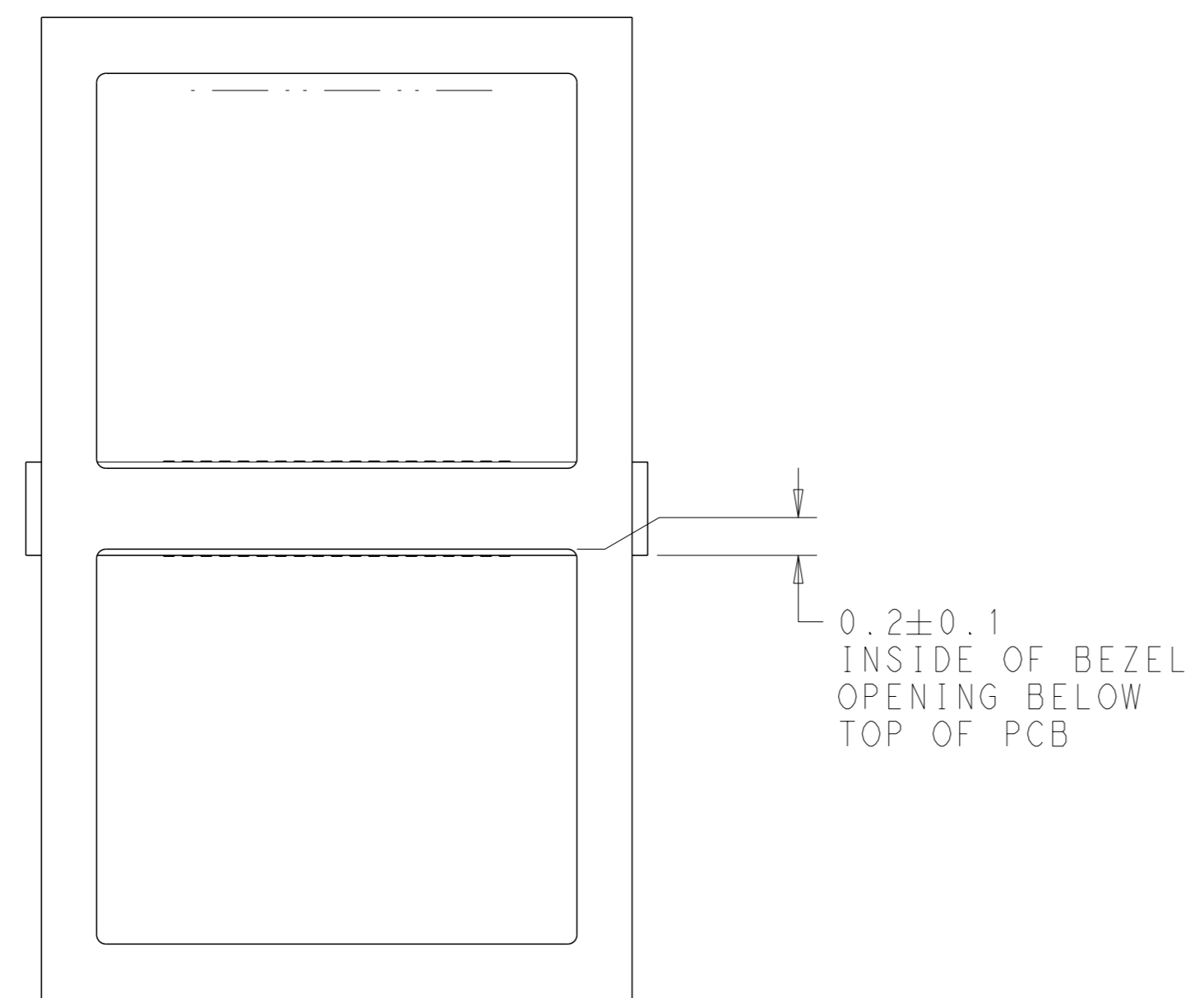
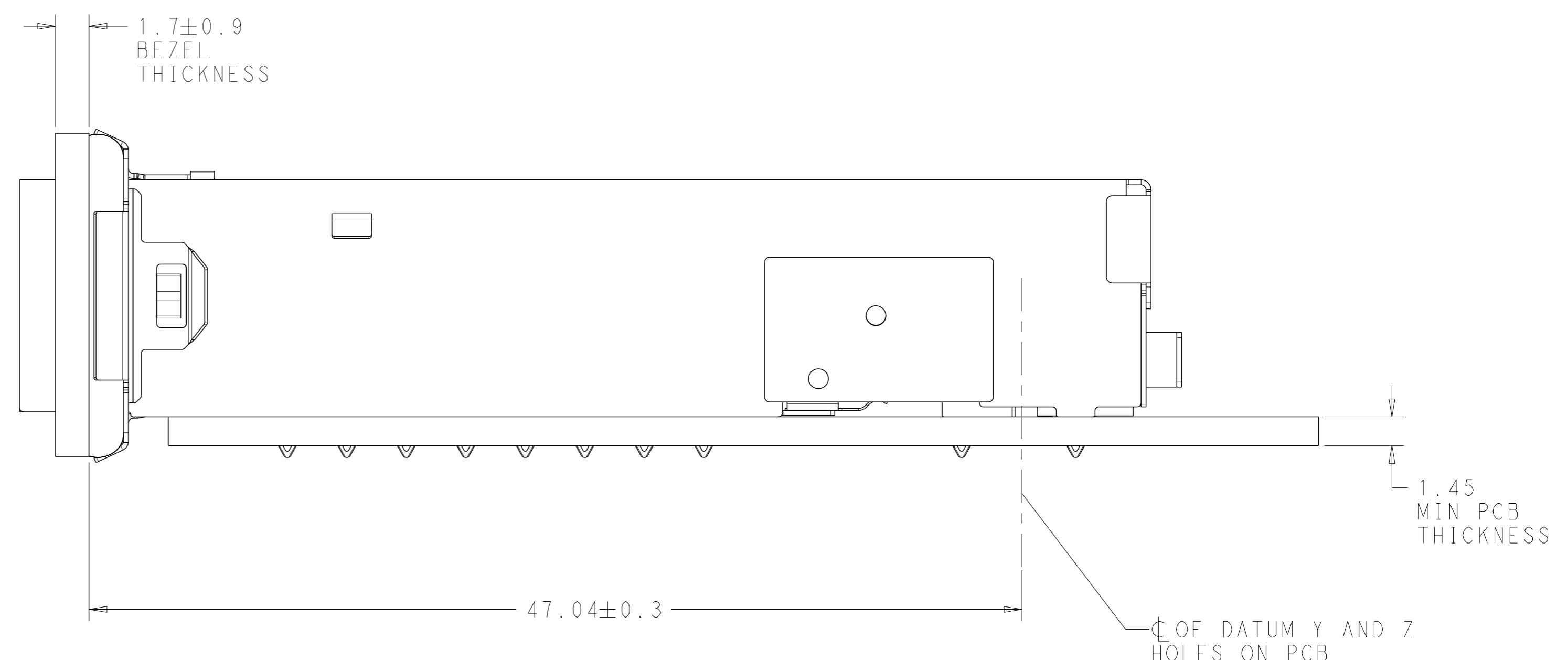


THIS DRAWING IS A CONTROLLED DOCUMENT.		OWN C. VALENTINE 19JAN2016	TE Connectivity	
DIMENSIONS:		CHK E. BRIANT 19JAN2016	NAME CAGE ASSEMBLY, SINGLE PORT, microQSFP	
mm	TOLERANCES UNLESS OTHERWISE SPECIFIED:	APVD E. BRIANT 19JAN2016	PRODUCT SPEC 108-32129	
	0 PLC ±	APPLICATION SPEC 114-32151	SIZE A1	
	1 PLC ±	FINISH #1	CAGE CODE DRAWING NO C=2297551	
	2 PLC ±	WEIGHT	RESTRICTED TO	
	3 PLC ±	Customer Drawing	SCALE 5:1 SHEET 2 OF 6 REV A	
	4 PLC ±			
	ANGLES			

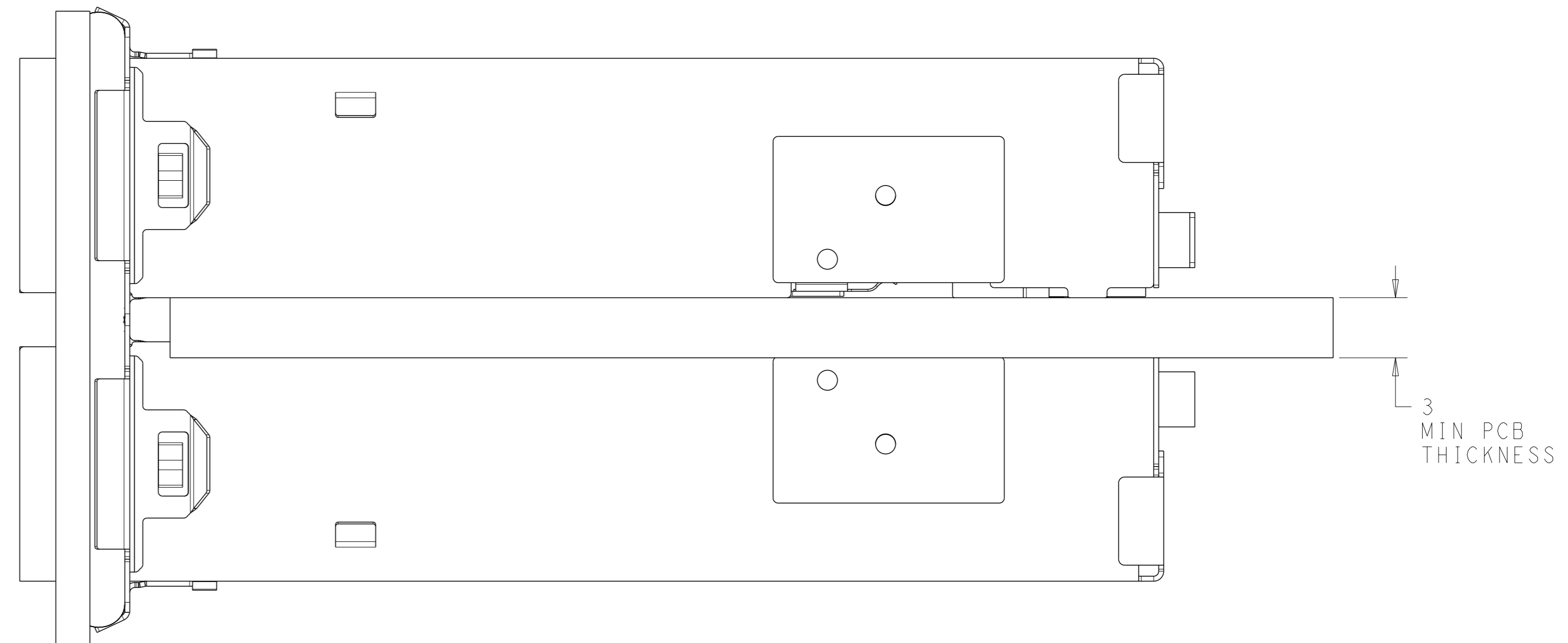
REVISIONS					
#	LY#	DESCRIPTION	DATE	OWN	APVD
-	-	SEE SHEET 1	-	-	-



2297551-2
SINGLE SIDED
PCB AND BEZEL LAYOUT

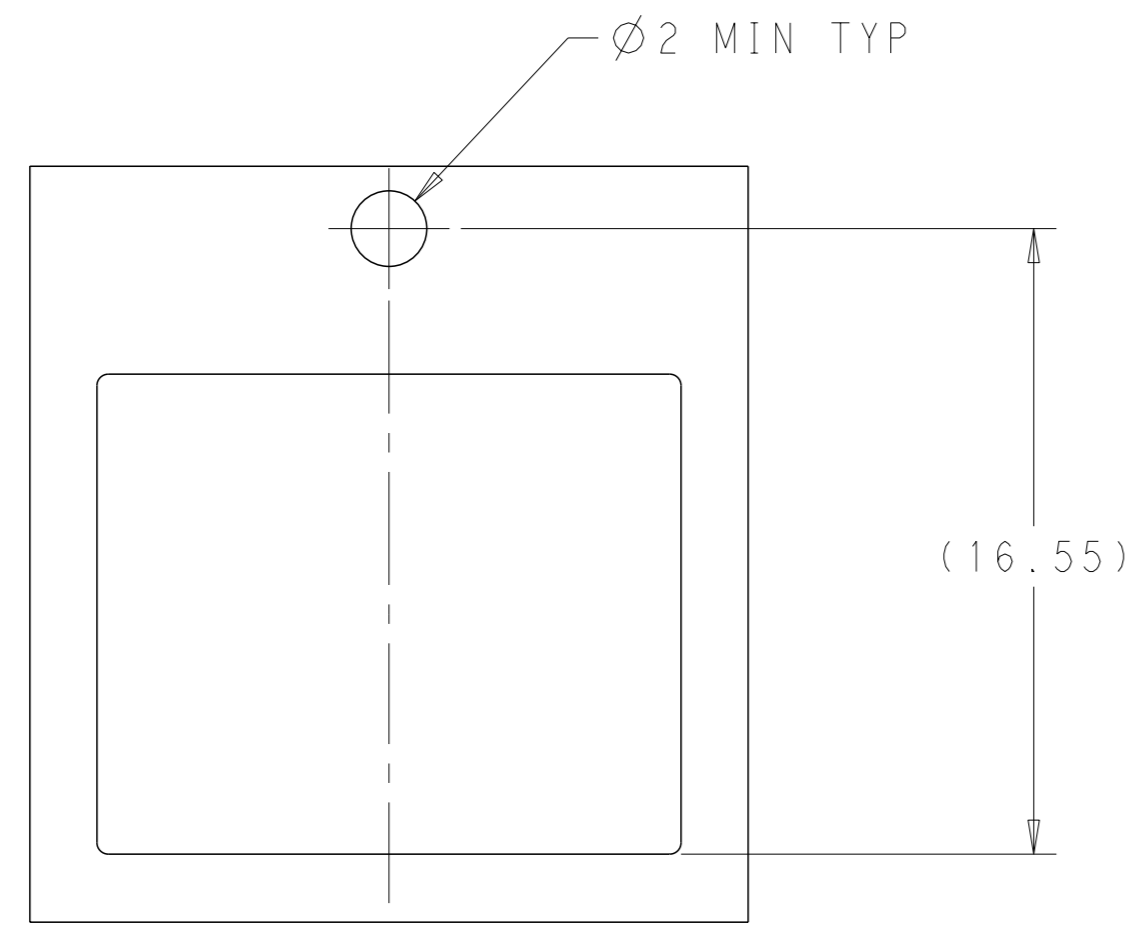


2297551-2
BELLY TO BELLY
SAME AS SINGLE SIDED
EXCEPT WHERE NOTED
PCB AND BEZEL LAYOUT

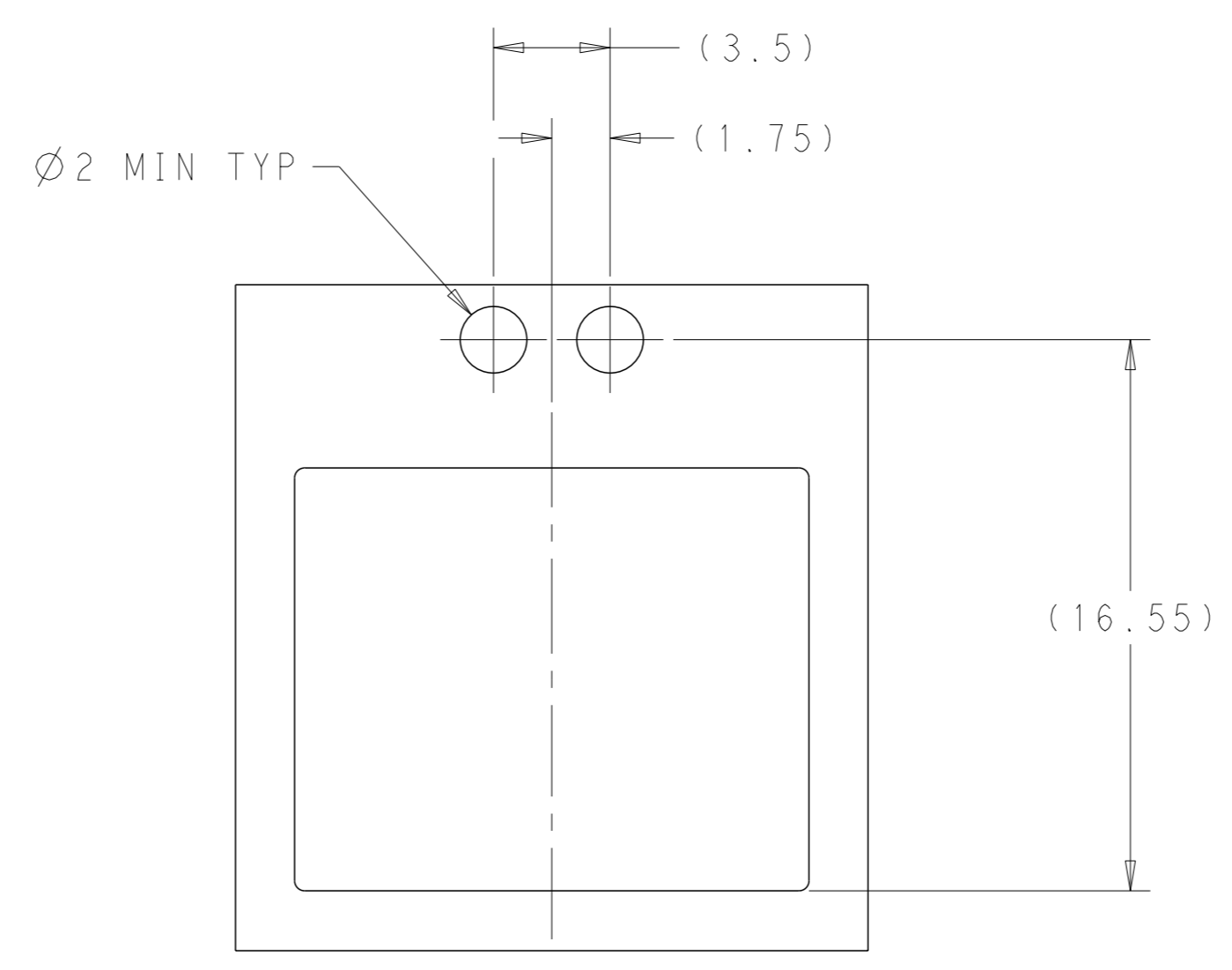


THIS DRAWING IS A CONTROLLED DOCUMENT.		OWN C. VALENTINE 19JAN2016	TE Connectivity	
DIMENSIONS:		CHK E. BRIANT 19JAN2016	NAME CAGE ASSEMBLY, SINGLE PORT, microSFP	
mm	TOLERANCES UNLESS OTHERWISE SPECIFIED:	APVD E. BRIANT 19JAN2016	PRODUCT SPEC 108-32129	
0 PLC	±	APPLICATION SPEC	114-32151	
1 PLC	±	WEIGHT	-	
2 PLC	±	MATERIAL	-	
3 PLC	±	Customer Drawing	SCALE 5:1 SHEET 3 OF 6 REV A	
4 PLC	±			
ANGLES	#1			
FINISH				

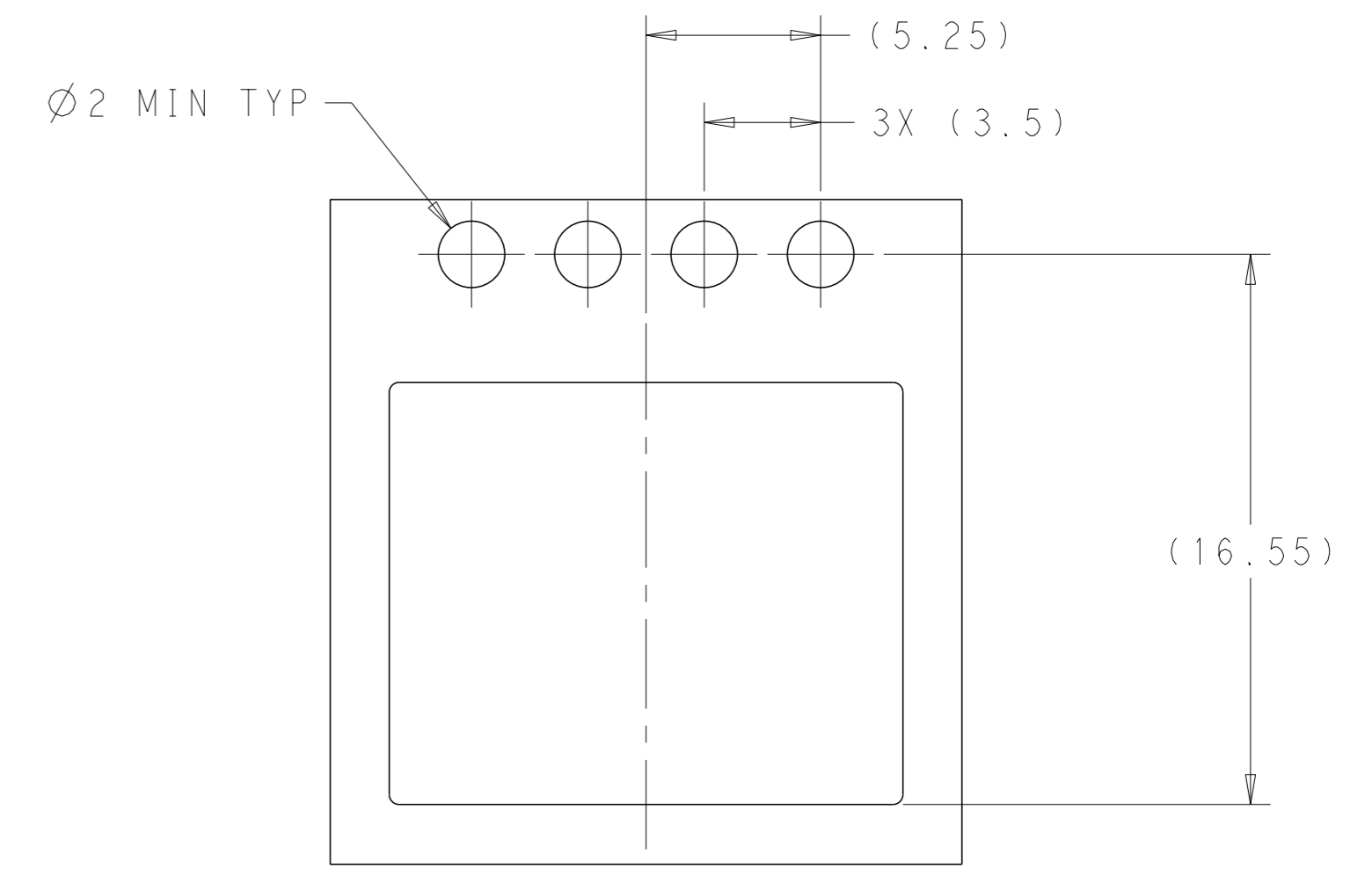
REVISIONS				
#	LY#	DESCRIPTION	DATE	OWN APVD
-	-	SEE SHEET 1	-	-



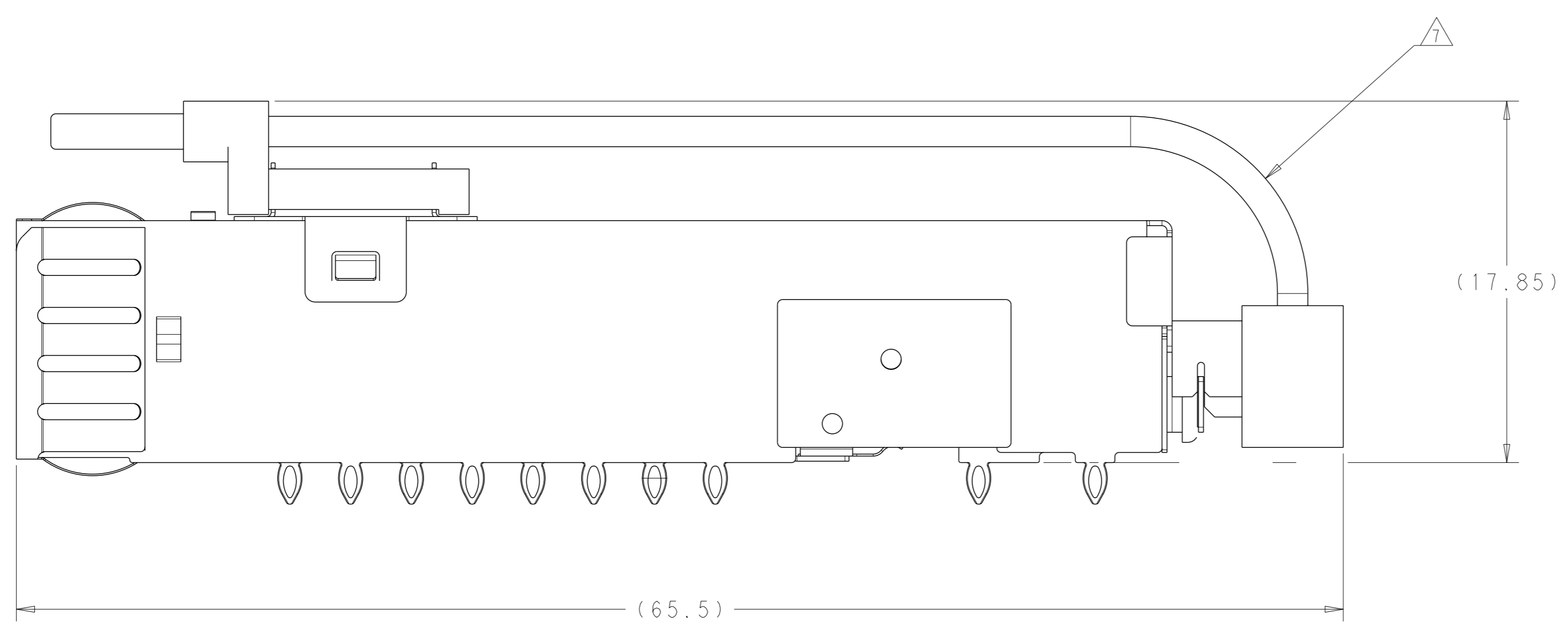
BEZEL LAYOUT FOR SINGLE LIGHT PIPE
SINGLE SIDED



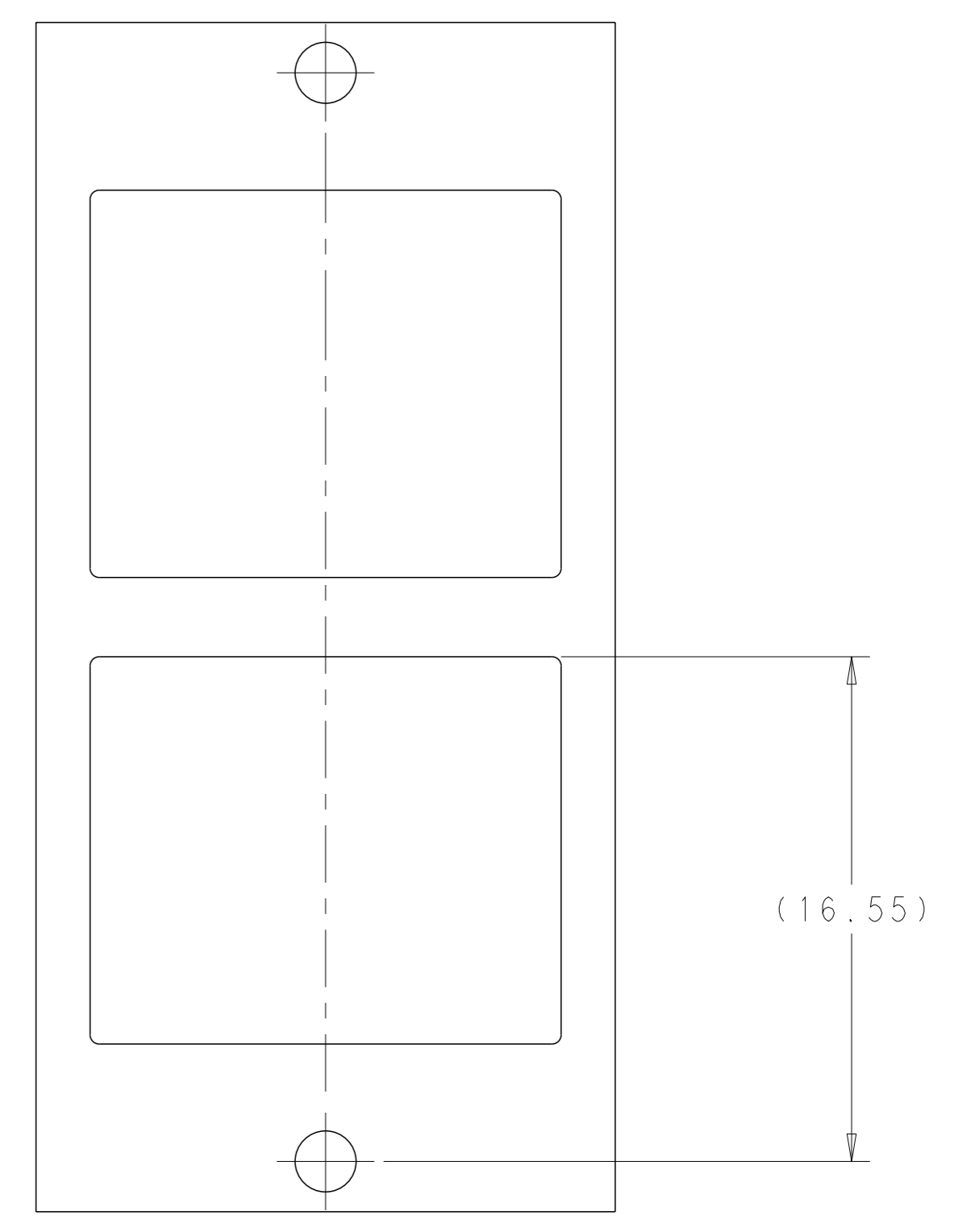
BEZEL LAYOUT FOR DOUBLE LIGHT PIPE
SINGLE SIDED



BEZEL LAYOUT FOR QUAD LIGHT PIPE
SINGLE SIDED



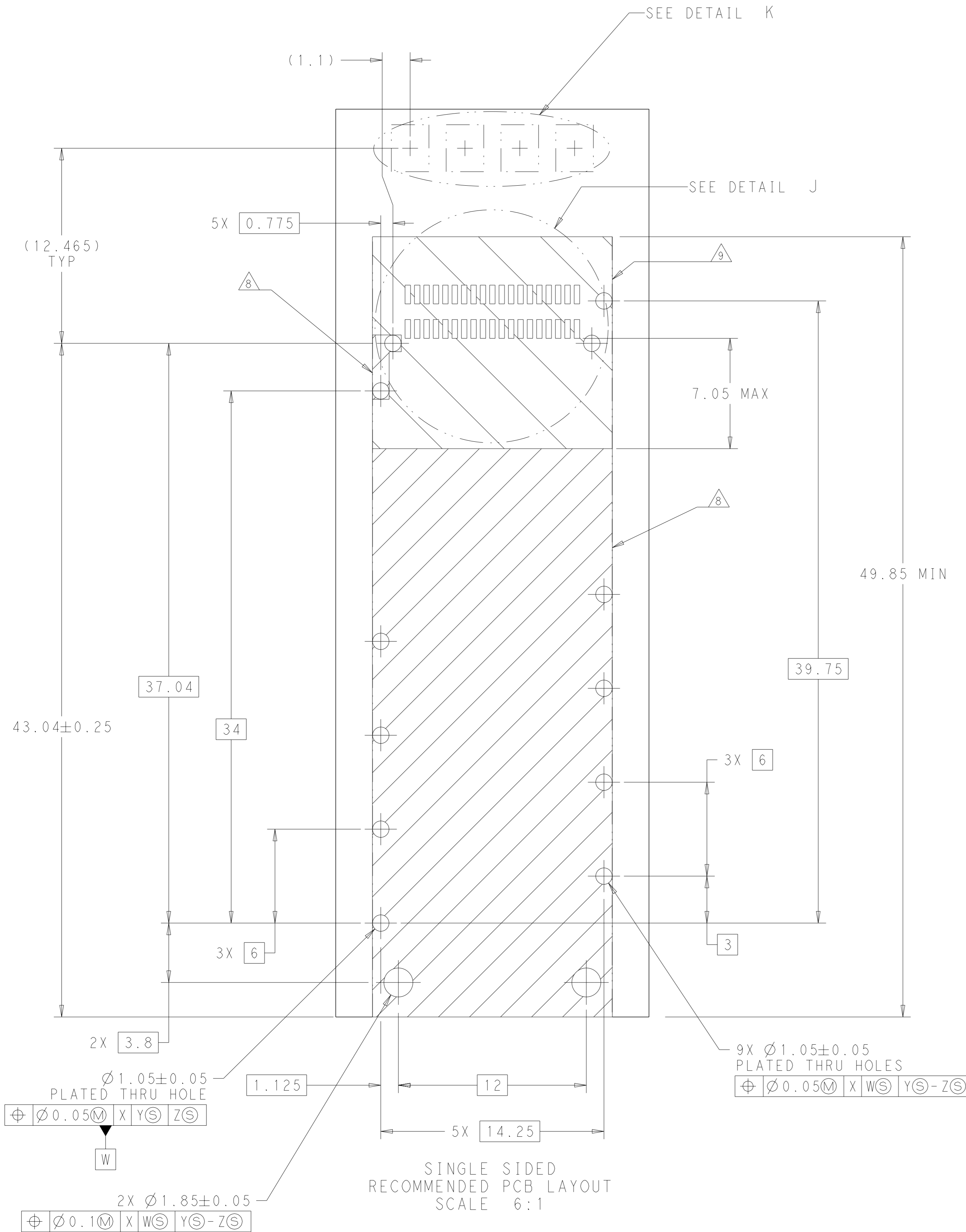
4-2297551-1



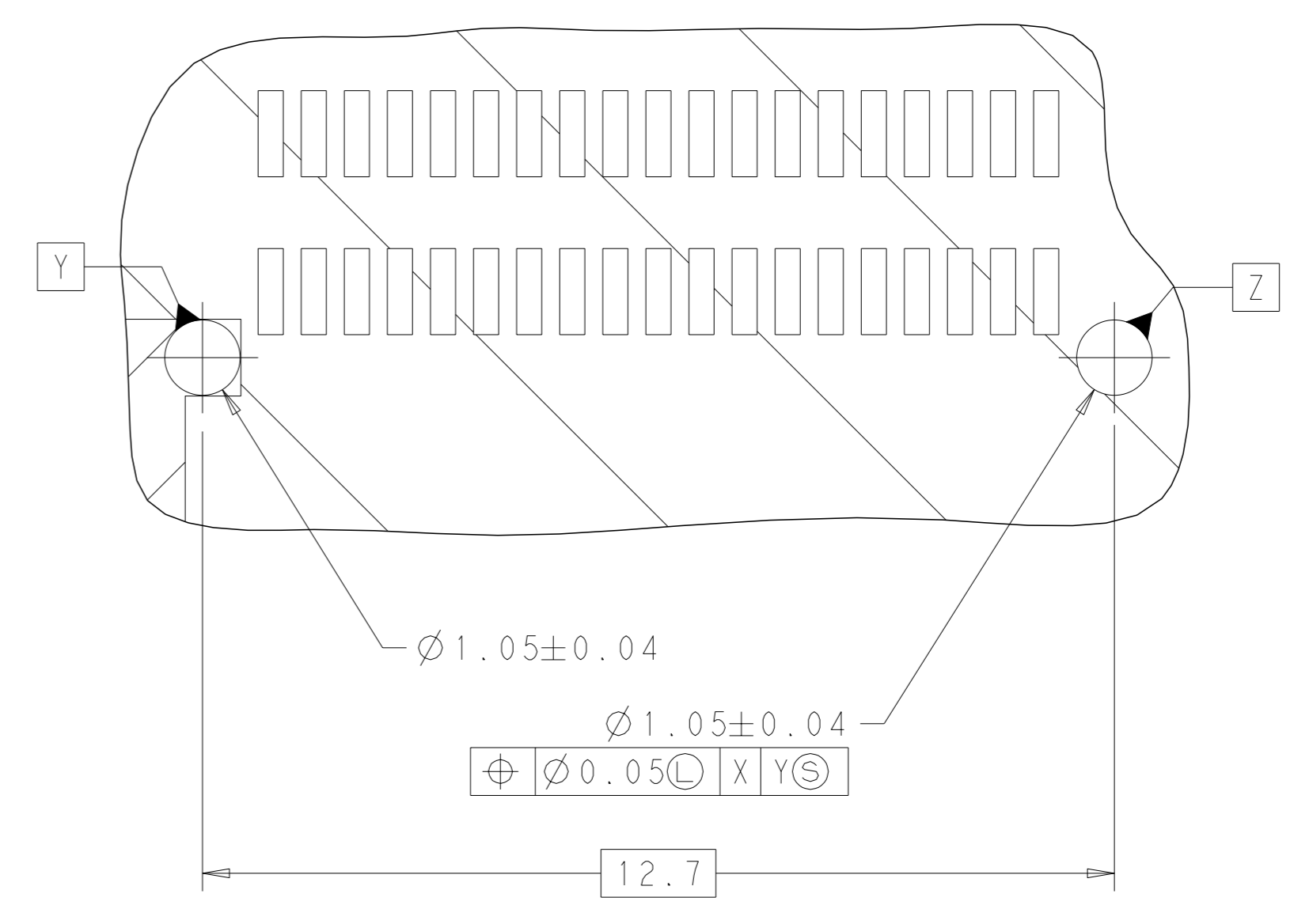
BEZEL LAYOUT FOR LIGHT PIPES
BELLY TO BELLY
SIMILAR TO SINGLE SIDED
EXCEPT WHERE NOTED
SINGLE SIDED

THIS DRAWING IS A CONTROLLED DOCUMENT.		OWN C. VALENTINE 19JAN2016	TE Connectivity
DIMENSIONS:		CHK E. BRIANT 19JAN2016	
mm	TOLERANCES UNLESS OTHERWISE SPECIFIED:	APVD E. BRIANT 19JAN2016	NAME CAGE ASSEMBLY, SINGLE PORT, microQSFP
	0 PLC ± 1 PLC ± 2 PLC ± 3 PLC ± 4 PLC ± ANGLES ± FINISH #1	PRODUCT SPEC 108-32129	RESTRICTED TO
MATERIAL		APPLICATION SPEC 114-32151	SIZE A1
		WEIGHT	SCALE 5:1 SHEET 4 OF 6 REV A
		Customer Drawing	

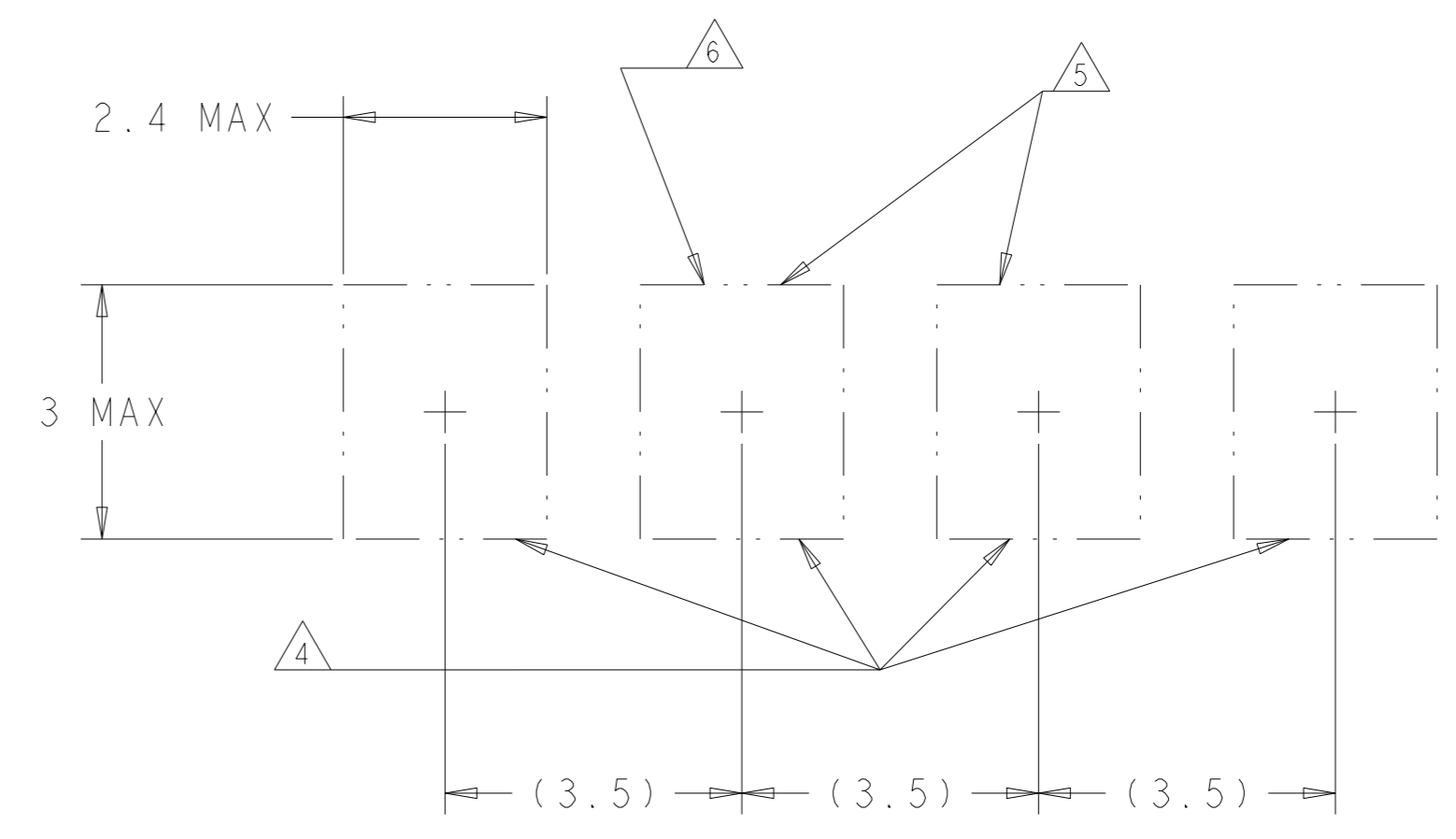
REVISIONS				
#	DATE	DESCRIPTION	OWN	APVD
-	-	SEE SHEET 1	-	-



SINGLE SIDED
RECOMMENDED PCB LAYOUT
SCALE 6:1



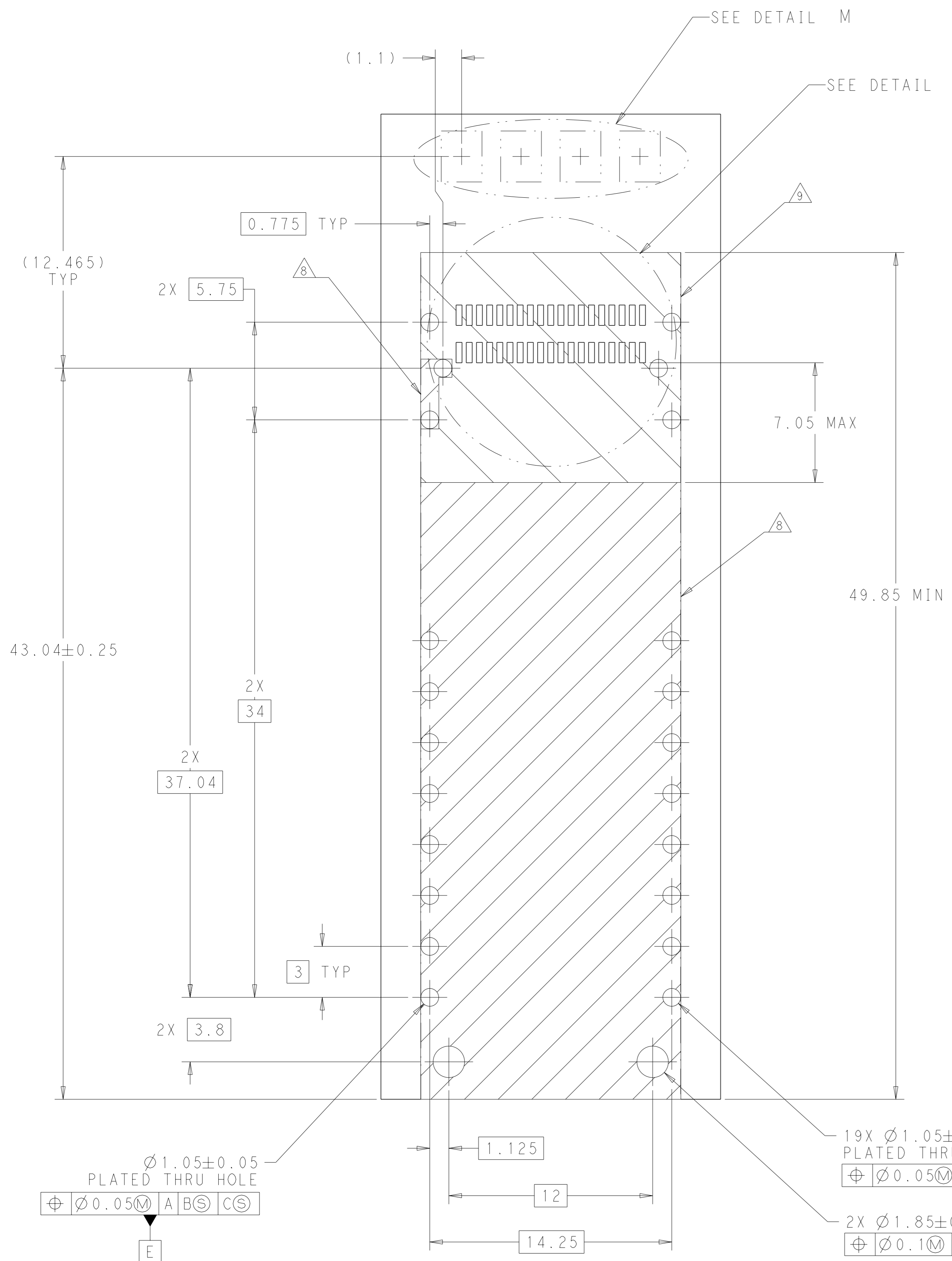
DETAIL J
SCALE 12:1



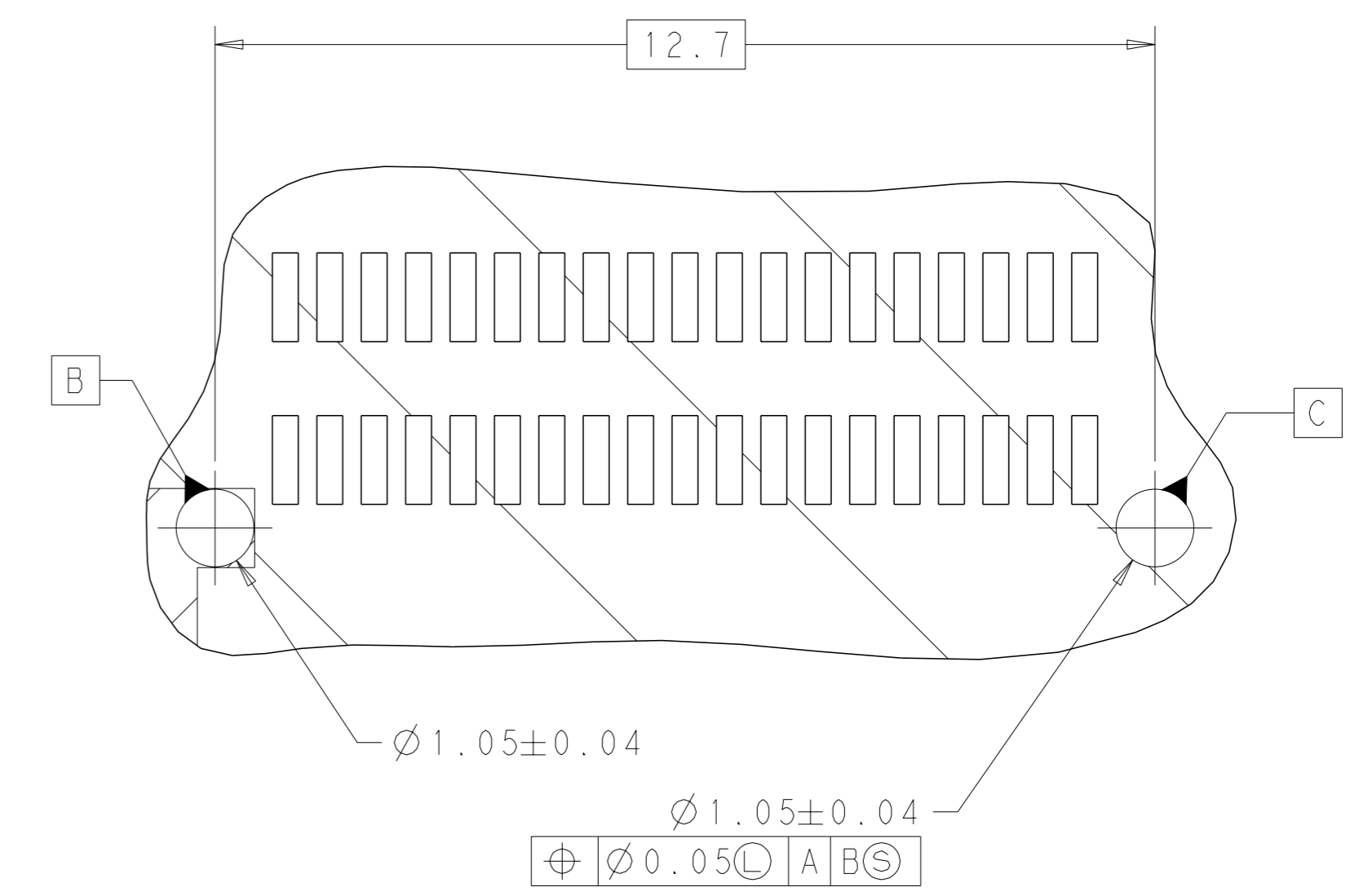
DETAIL K
SCALE 12:1

THIS DRAWING IS A CONTROLLED DOCUMENT.		OWN: C. VALENTINE 19JAN2016	TE Connectivity
DIMENSIONS: mm		CHK: E. BRIANT 19JAN2016	
TOLERANCES UNLESS OTHERWISE SPECIFIED:		APVD: E. BRIANT 19JAN2016	NAME: CAGE ASSEMBLY, SINGLE PORT, microQSFP
0 PLC ±	1 PLC ±	PRODUCT SPEC	108-32129
2 PLC ±	3 PLC ±	APPLICATION SPEC	114-32151
4 PLC ±	ANGLES ±	WEIGHT	Customer Drawing
MATERIAL	FINISH	SCALE: 5:1	SHEET 5 OF 6

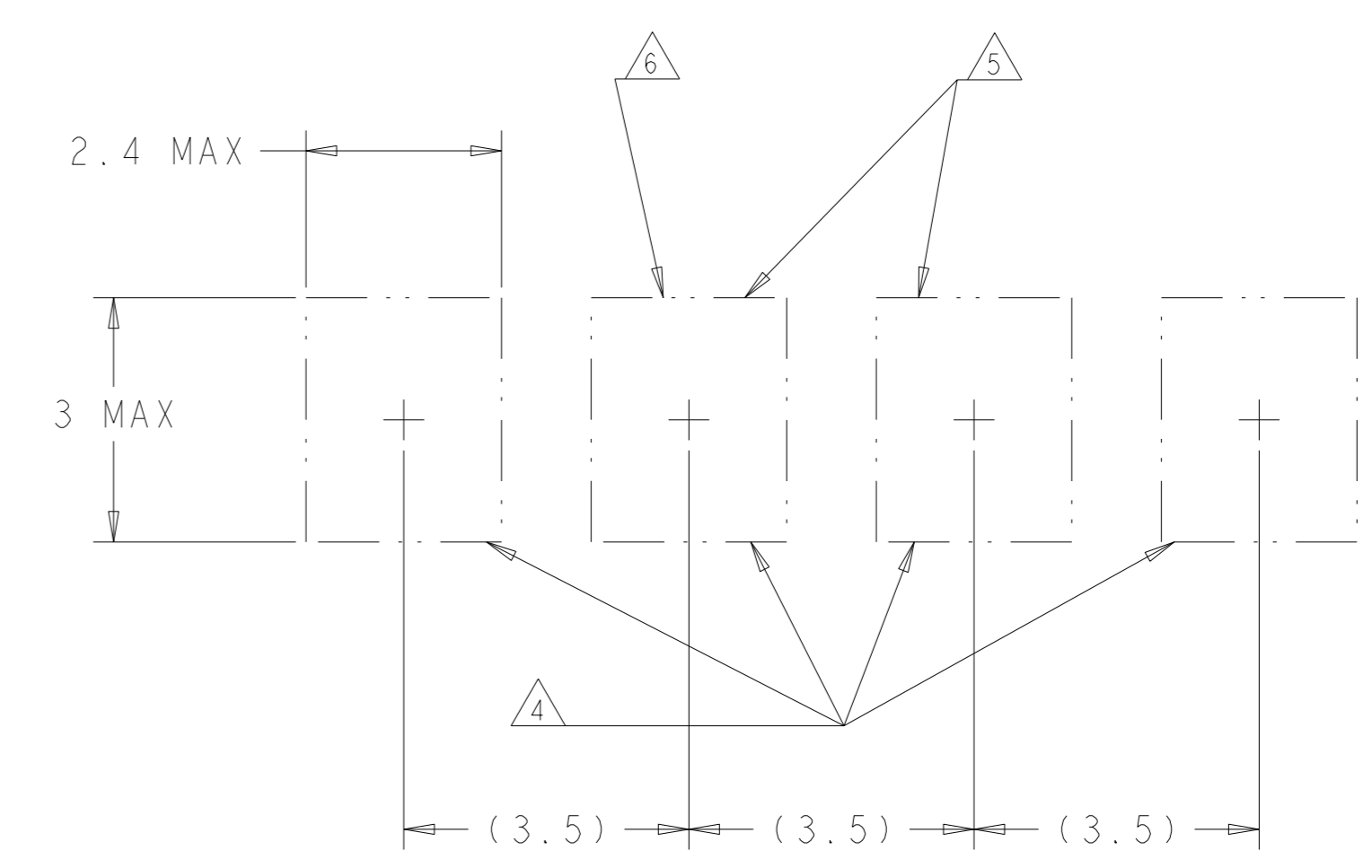
REVISIONS				
#	DATE	DESCRIPTION	DATE	APPROV
-	-	SEE SHEET 1	-	-



BELLY TO BELLY
RECOMMENDED PCB LAYOUT
SCALE 6:1



DETAIL L
SCALE 12:1



DETAIL M
SCALE 12:1

THIS DRAWING IS A CONTROLLED DOCUMENT.		OWN C. VALENTINE 19JAN2016	TE Connectivity	
DIMENSIONS:		CHK E. BRIANT 19JAN2016	NAME CAGE ASSEMBLY, SINGLE PORT, microQSFP	
TOLERANCES UNLESS OTHERWISE SPECIFIED:		APPROV E. BRIANT 19JAN2016	PRODUCT SPEC 108-32129	
mm	0 PLC ±	APPLICATION SPEC 114-32151	RESTRICTED TO	
⌀	1 PLC ±	SIZE A1	CAGE CODE DRAWING NO -	
⌀	2 PLC ±	WEIGHT -	SCALE 5:1 SHEET 6 OF 6 REV A	
⌀	3 PLC ±	Customer Drawing	C=2297551	
⌀	4 PLC ±			
ANGLES	FINISH #1			