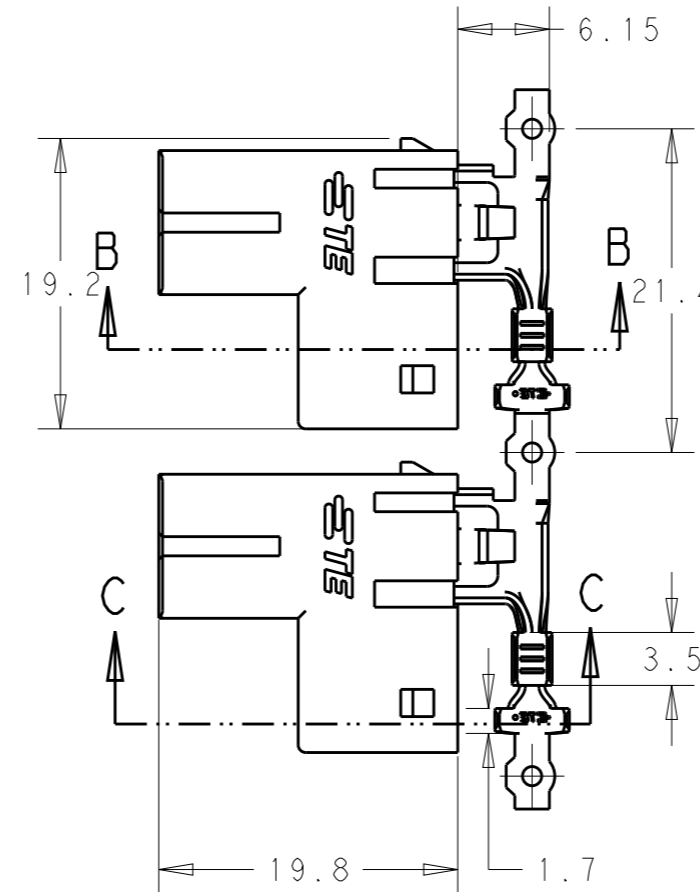
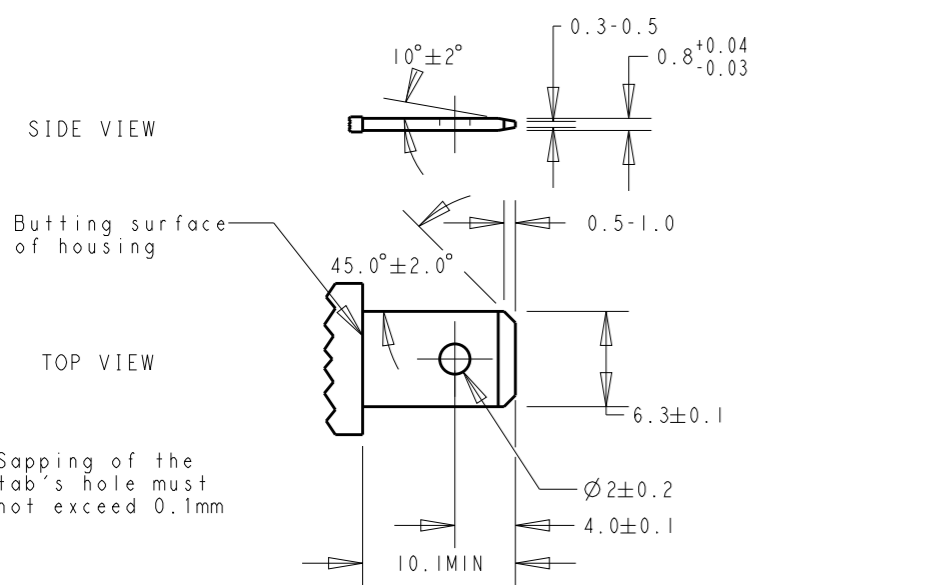
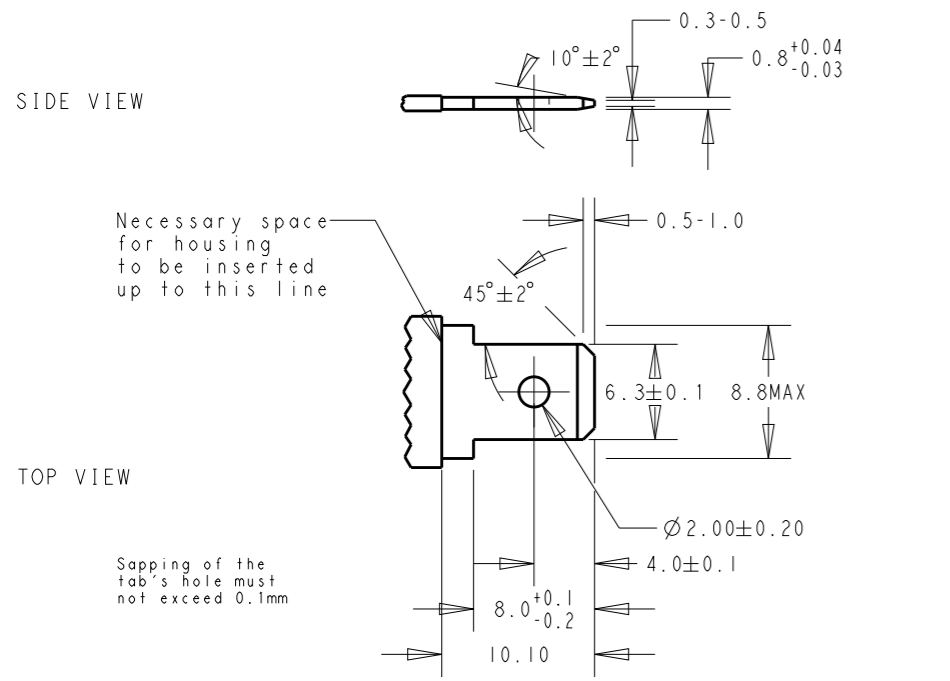
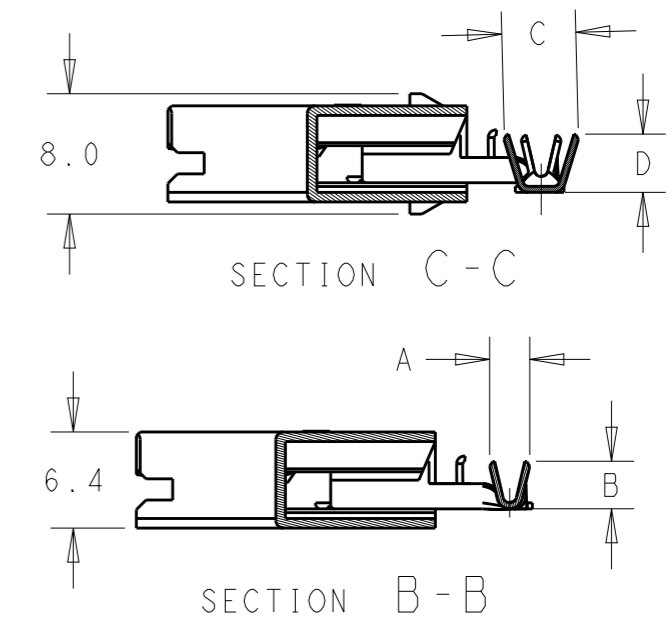


REVISIONS				
P	LTR	DESCRIPTION	DATE	APVD
	A10	ECR-19-011390	24JULY19	DT TD

SUGGESTED MATING TAB



- NOTE:
- CONTACT MATEIRAL, TIN PLATED BRASS.
 - HOUSING MATERIAL, NYLON 6/66, GLASS-FIBRE. UL94V-0.
 - GWT 750°C VERSION, ACCORDING TO IEC 60335-1.
 - NEW PN WITH DIFFERENT PACKAGING QTY.



4	6.9REF. (HIGH SIDE)	6.6	4.5REF.	4.2	2.2-3.0	22-18	3-2299280-3
	3.6REF. (SHORT SIDE)				3.40-4.32	14-12	3-2299280-2
4	3.9REF.	4.9	3.1REF.	2.7	2.2-3.0	22-18	3-2299280-1
	6.9REF. (HIGH SIDE)				3.40-4.32	14-12	2299280-3
	3.6REF. (SHORT SIDE)	6.6	4.5REF.	4.2	3.0-4.0	16-14	2299280-2
	3.9REF.	4.9	3.1REF.	2.7	2.2-3.0	22-18	2299280-1
	DIM D	DIM C	DIM B	DIM A	INSULATION	WIRE SIZE (AWG)	P/N

THIS DRAWING IS A CONTROLLED DOCUMENT.		DWN LEI PAN 08FEB2017	TE Connectivity	
DIMENSIONS: mm		CHK TIM DING 08FEB2017		
TOLERANCES UNLESS OTHERWISE SPECIFIED:		APVD TIM DING 08FEB2017	NAME POD-LOK 250 FLAG ASSY.	
0 PLC ±- 1 PLC ±0.3 2 PLC ±0.25 3 PLC ±- 4 PLC ±- ANGLES ±-		PRODUCT SPEC 108-106262	RESTRICTED TO	
MATERIAL		APPLICATION SPEC 114-106262	SIZE A3	CAGE CODE -
FINISH		WEIGHT -	DRAWING NO C-2299280	SCALE 2:1
		CUSTOMER DRAWING	SHEET 1 OF 1	REV A10