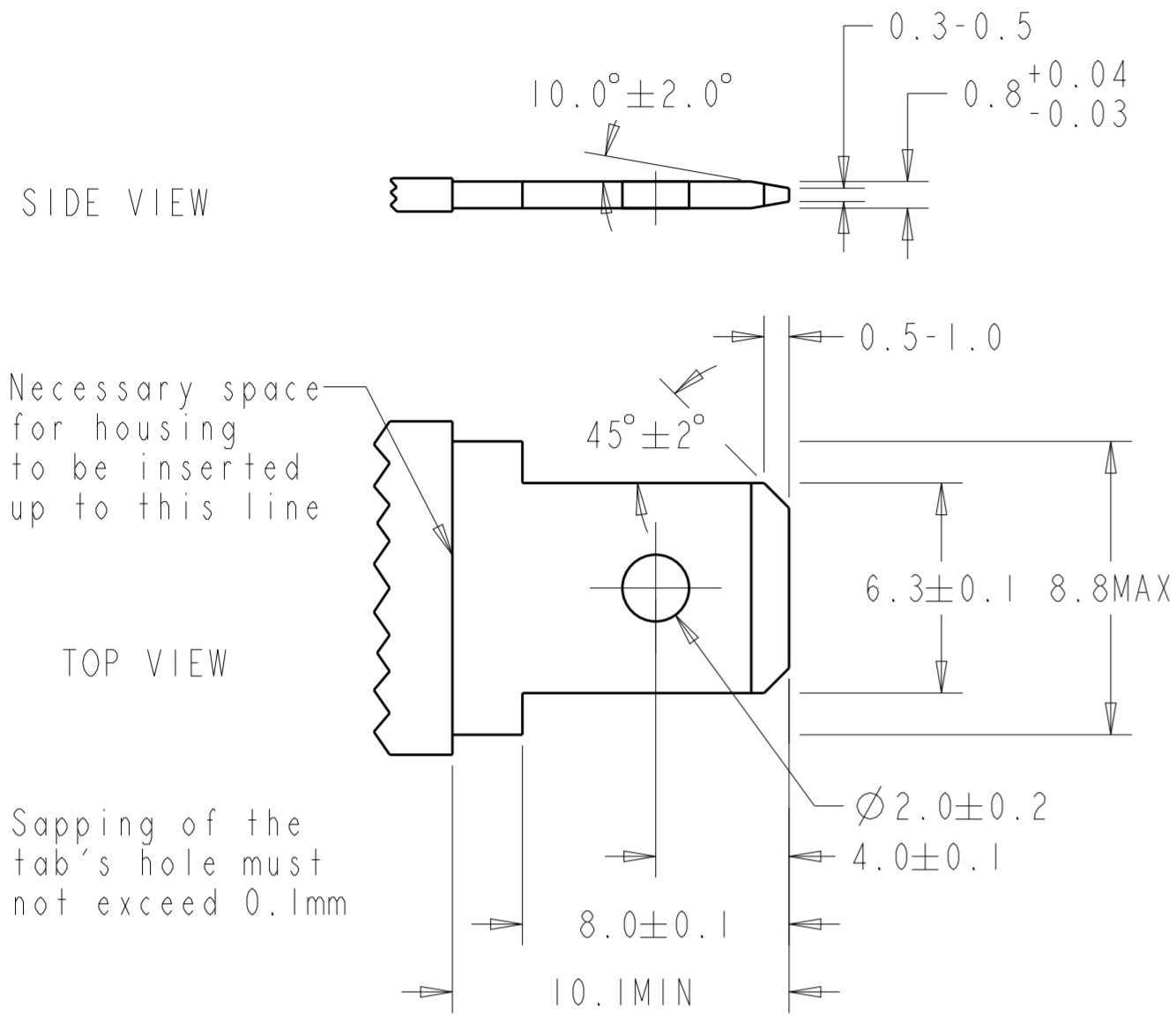
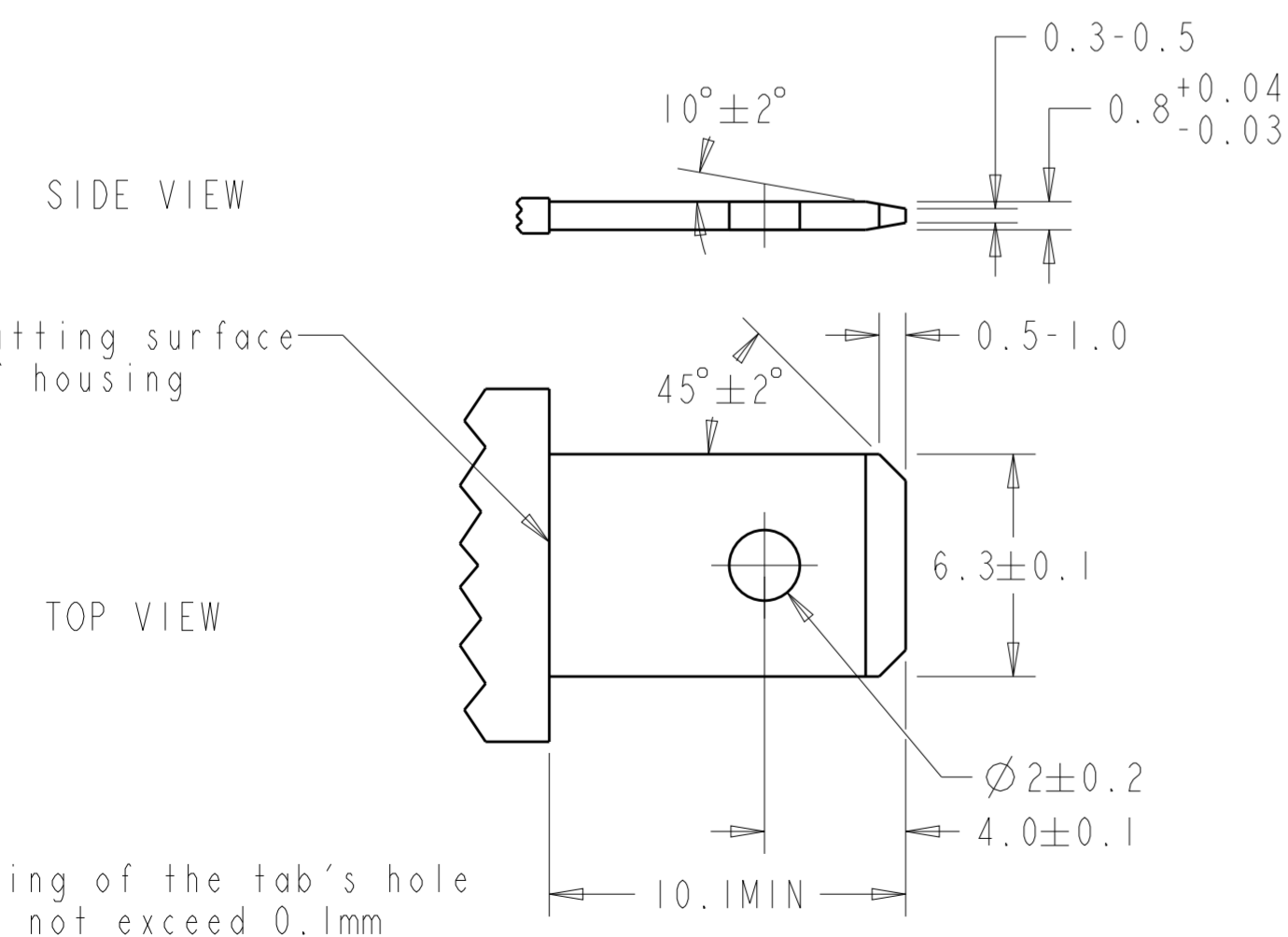


SUGGESTED MATING TAB



TYPE A (When using tab shoulder for butting)

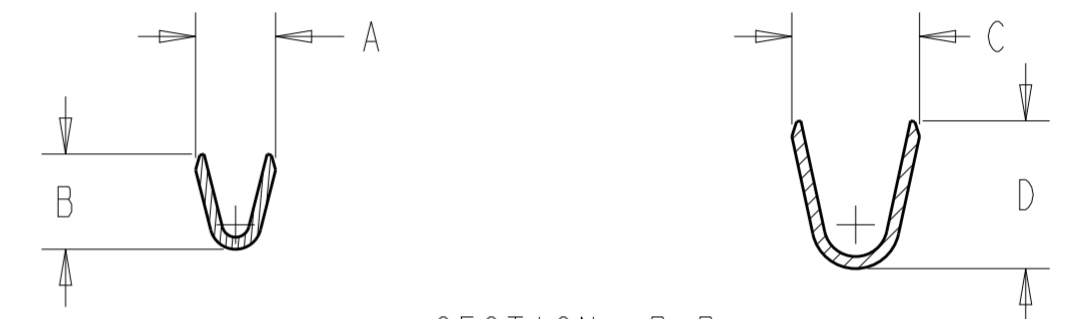
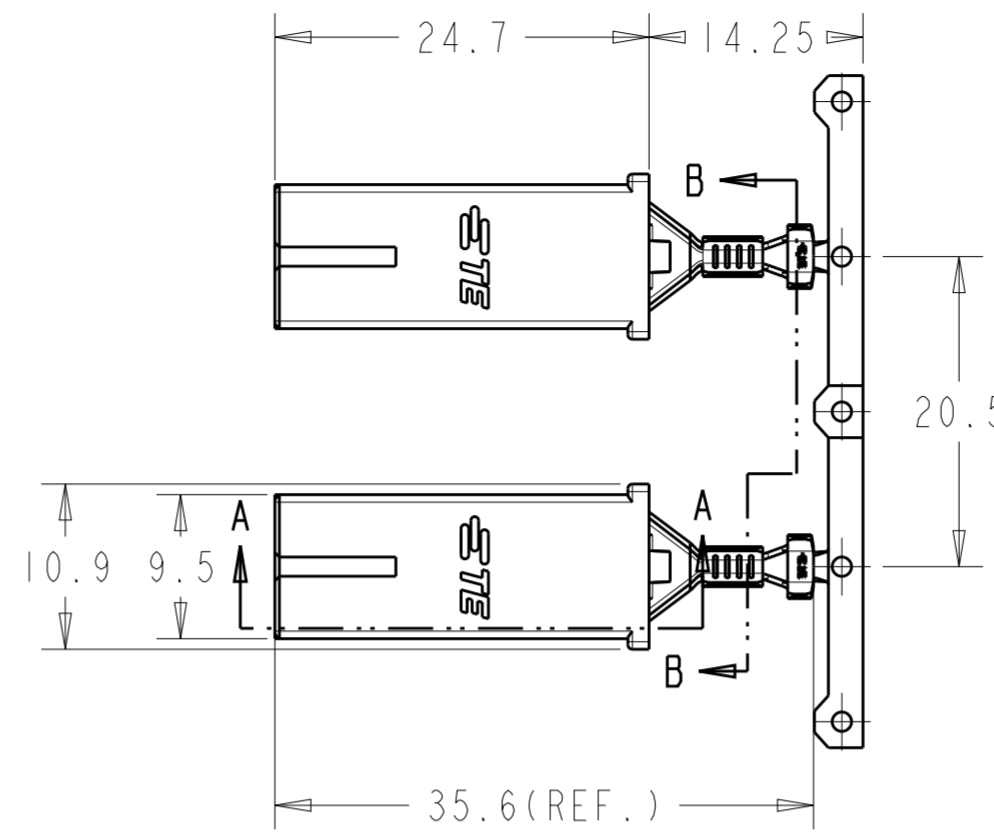


TYPE B (When using resin, etc. for butting)

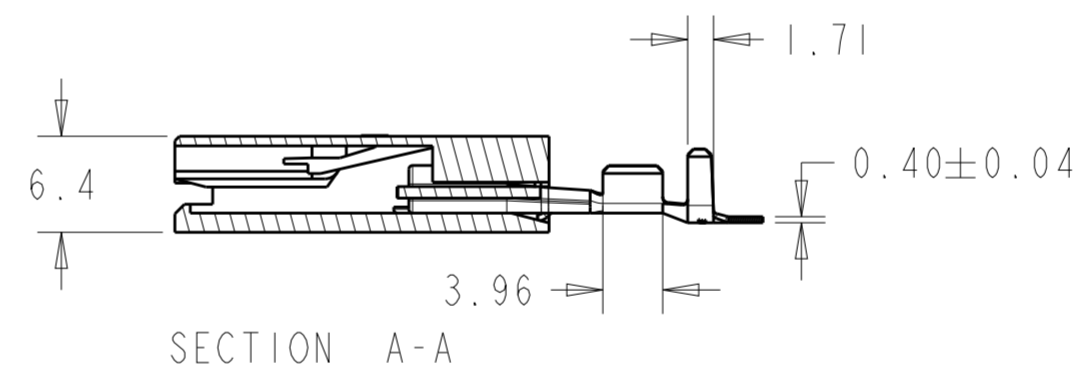
REVISIONS				
P	LTR	DESCRIPTION	DATE	APVD
A7		ECR-19-011390	24JUL19	DT T.D

NOTE:

- HOUSING MATERIAL, NYLON 6/66, GLASS-FIBRE. UL94V-0.
- GWT 750°C VERSION, ACCORDING TO IEC 60335-1.
- CONTACT MATERIAL, TIN PLATED BRASS.
- NEW PN WITH DIFFERENT PACKAGING QTY.



SECTION B-B
SCALE 4:1



4	5.8REF.	6.2	4.5REF.	4.5	3.40-5.08	14-12	3-2299282-3
4	4.9REF.	5.3	3.9REF.	3.5	3.0-4.0	18-14	3-2299282-2
4	4.9REF.	4.2	3.1REF.	2.6	2.2-3.0	22-18	3-2299282-1
	5.8REF.	6.2	4.5REF.	4.5	3.40-5.08	14-12	2299282-3
	4.9REF.	5.3	3.9REF.	3.5	3.0-4.0	18-14	2299282-2
	4.9REF.	4.2	3.1REF.	2.6	2.2-3.0	22-18	2299282-1
	DIM D	DIM C	DIM B	DIM A	INSULATION(mm)	WIRE SIZE(AWG)	P/N

THIS DRAWING IS A CONTROLLED DOCUMENT.

DIMENSIONS:	TOLERANCES UNLESS OTHERWISE SPECIFIED:	DWN	14NOV2016
mm	0 PLC ±	CHK	LEI.PAN 14NOV2016
	1 PLC ±0.3	APVD	TIM.DING 14NOV2016
	2 PLC ±0.25	PRODUCT SPEC	108-106262
	3 PLC ±	APPLICATION SPEC	114-106262
	4 PLC ±	WEIGHT	-
	ANGLES ±	CUSTOMER DRAWING	
	FINISH ±	SCALE	5:1

STE TE Connectivity

NAME: POD-LOK 250 STR.ASSY.

SIZE: A2 CAGE CODE: - DRAWING NO: C-2299282 RESTRICTED TO: -

SHEET 1 OF 1 REV A7