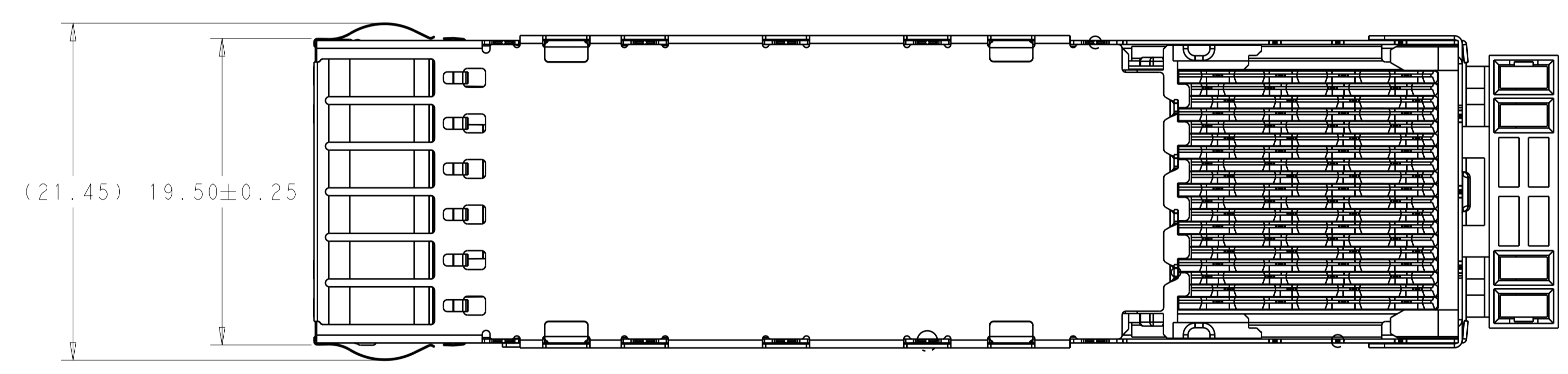
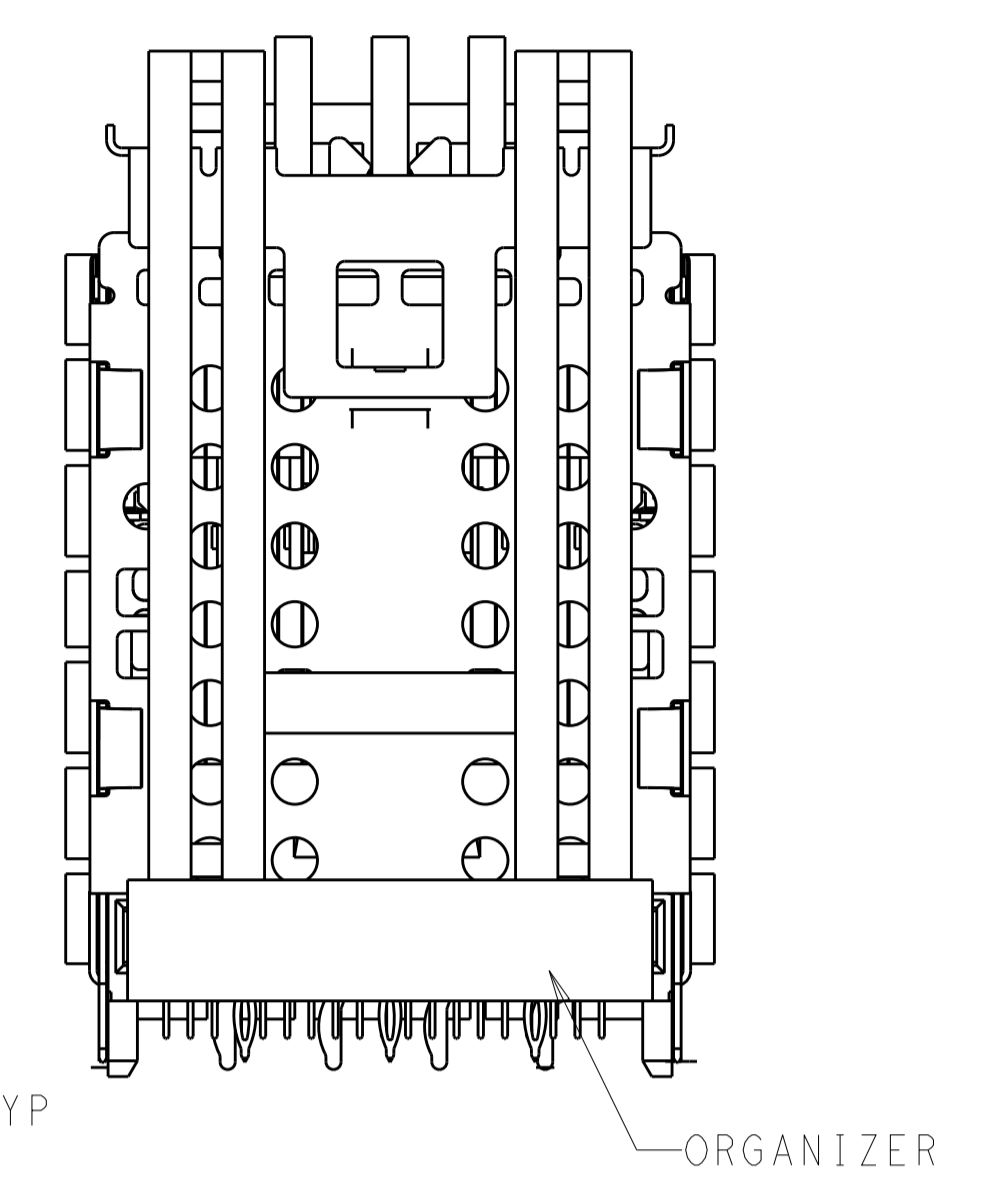
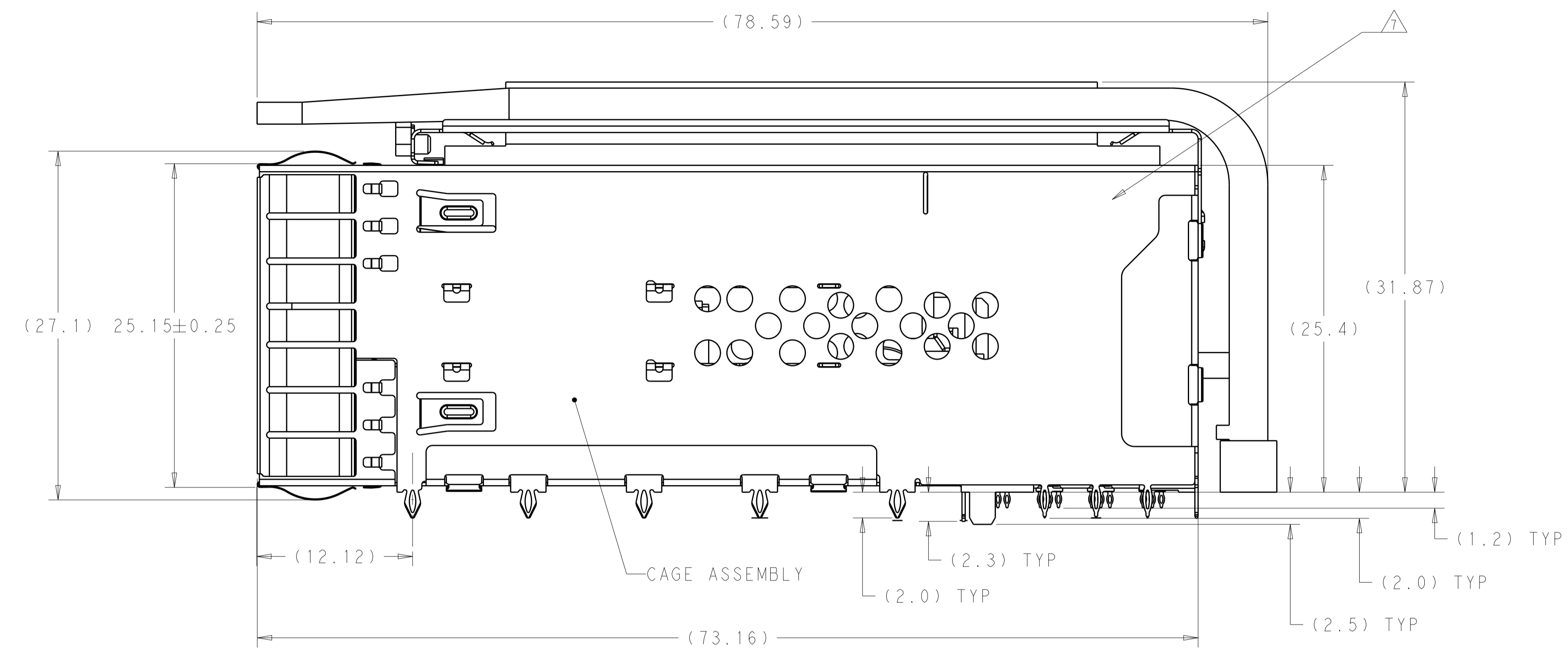
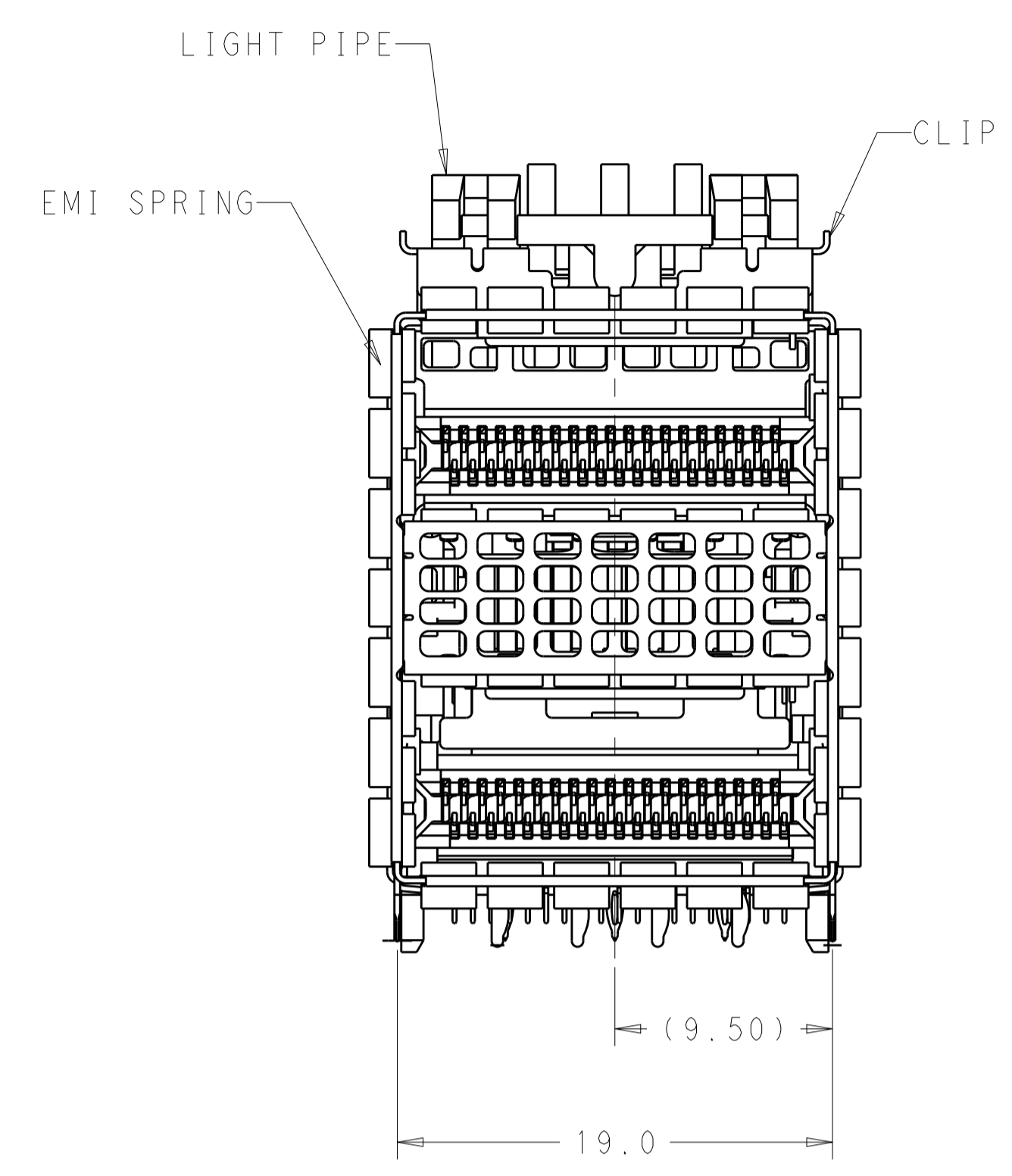


LOC	DIST	REVISIONS					
		P	LTR	DESCRIPTION	DATE	DWN	APVD
		A		INITIAL RELEASE	24MAR2017	AJ	SH
		B		REVISED PER ECO-18-005125	02APR2018	TX	SH



1. MATERIALS:  
 CAGE ASSEMBLY- NICKEL SILVER ALLOY PER ASTM B 122.  
 EMI SPRING- COPPER ALLOY, NICKEL PLATED.  
 HOUSING- POLYESTER LCP WITH 94V-0.  
 CHICKLET- POLYESTER LCP WITH 94V-0.  
 CONTACT- COPPER ALLOY.  
 LIGHTPIPE- POLYCARBONATE WITH 94V-0.

- △ CONTACT FINISH: 0.76µm GOLD ON MATING END, 1.25µm MATT TIN ON SOLDER TAIL, ALL OVER 1.27µm NICKEL.
- △ DATUM AND BASIC DIMENSION ESTABLISHED BY CUSTOMER.
- 4. MINIMUM PCB THICKNESS OF 1.57.
- △ THE ENTIRE AREA OF THE CONNECTOR FOOTPRINT, INDICATED BY THE DASHED LINE, TO BE CONSIDERED THE KEEPOUT AREA FOR COMPONENTS.
- △ CROSS-HATCHED AREAS REPRESENT ZONES ON THE PCB THAT COME IN CONTACT WITH OR BE IN CLOSE PROXIMITY TO THE PLASTIC HOUSING OR THE CONNECTOR CAGE. INDICATED AREAS TO BE CONSIDERED TRACE FREE.
- △ PART NUMBER AND DATE CODE MAKED IN APPROXIMATE AREA SHOWN.
- △ HATCHED AREA IS PLACEMENT ZONE FOR LED. LED SHOULD BE CENTERED WITHIN ZONE. RECOMMEND 0805 PACKAGE.

CONTACT FINISH	DESCRIPTION	PART NUMBER
△2	WITH HS & WITHOUT LP	2299940-6
△2	WITH HS & WITH LP	2299940-5
△2	WITHOUT UPPER HS OR LP	2299940-4
△2	WITH HS & WITHOUT LP	2299940-3
△2	WITH HS & WITHOUT LP	2299940-2
△2	WITH HS & WITH LP	2299940-1

THIS DRAWING IS A CONTROLLED DOCUMENT. DWN: ARTHUR JIN 02FEB2016  
 CHK: SEAN HAN 02FEB2016  
 APVD: SEAN HAN 02FEB2016

**STE** TE Connectivity

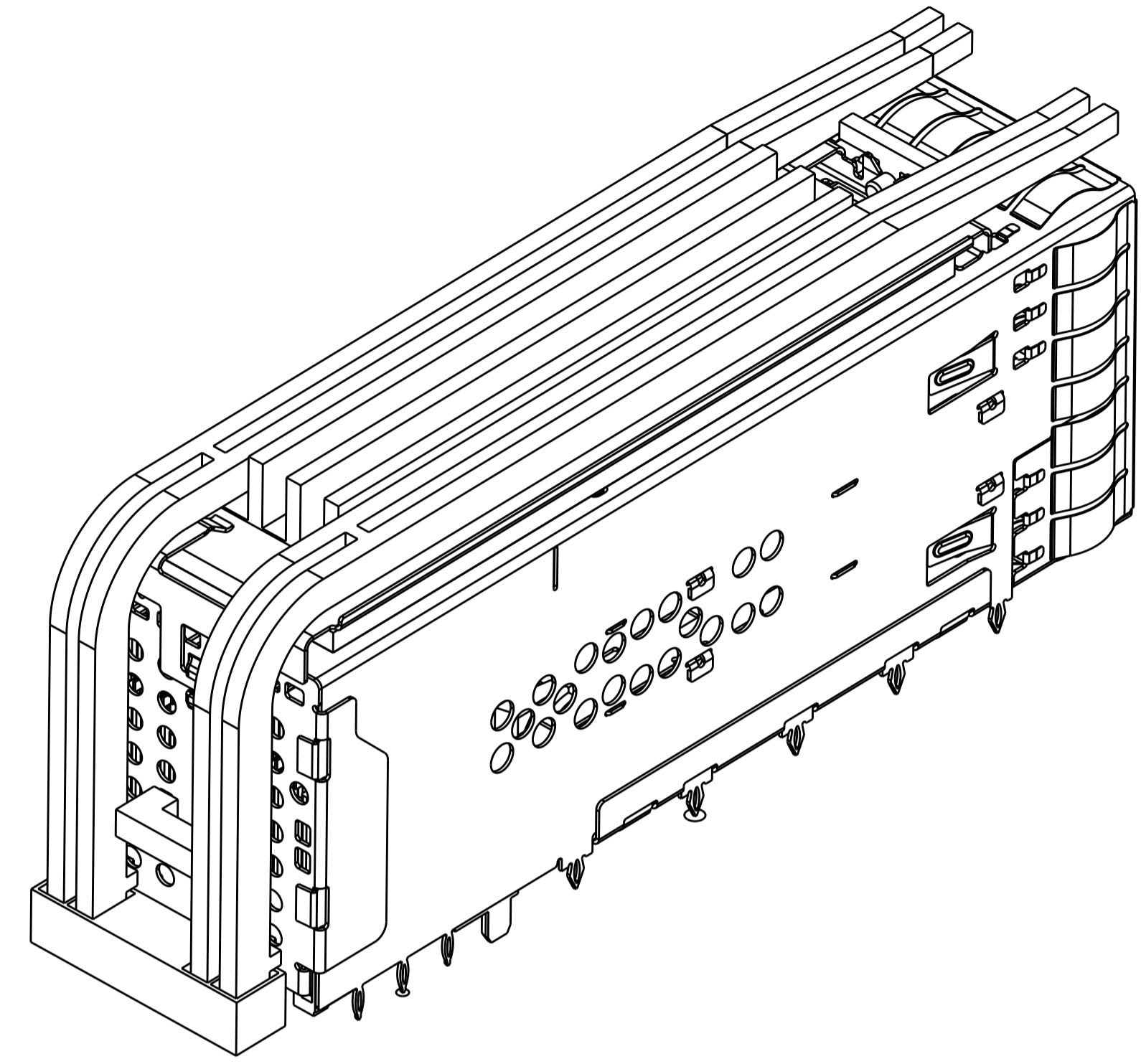
NAME: CAGE AND CONNECTOR ASSEMBLY WITH EMI SPRING FINGERS, THRU BEZEL, 2X1 ZQSP+ STACKED WITH HS

SIZE: A1 CAGE CODE: 00779 DRAWING NO: 2299940 RESTRICTED TO: -

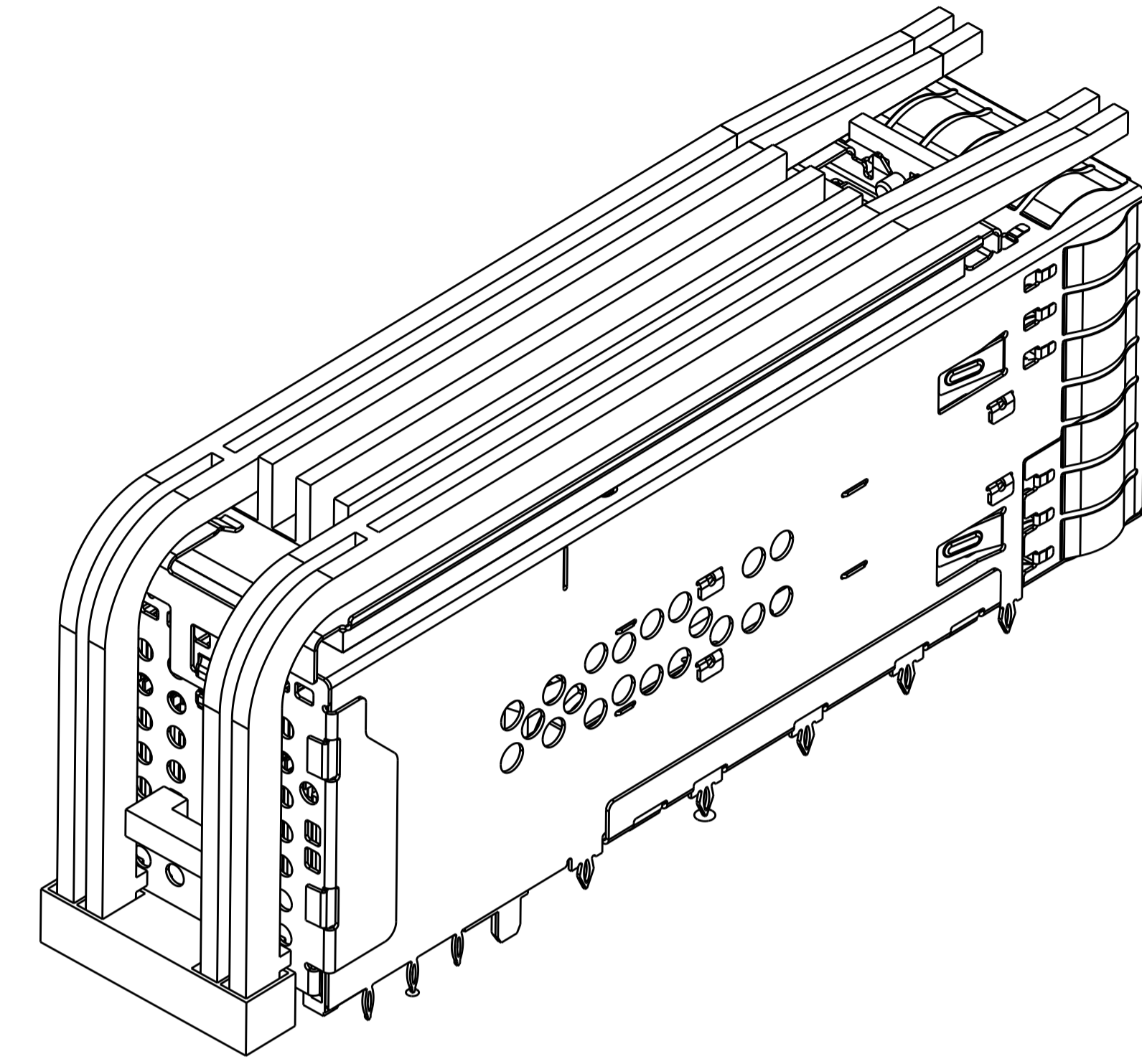
MATERIAL: SEE NOTE 1 FINISH: - WEIGHT: - CUSTOMER DRAWING

SCALE: 4:1 SHEET: 1 OF 7 REV: B

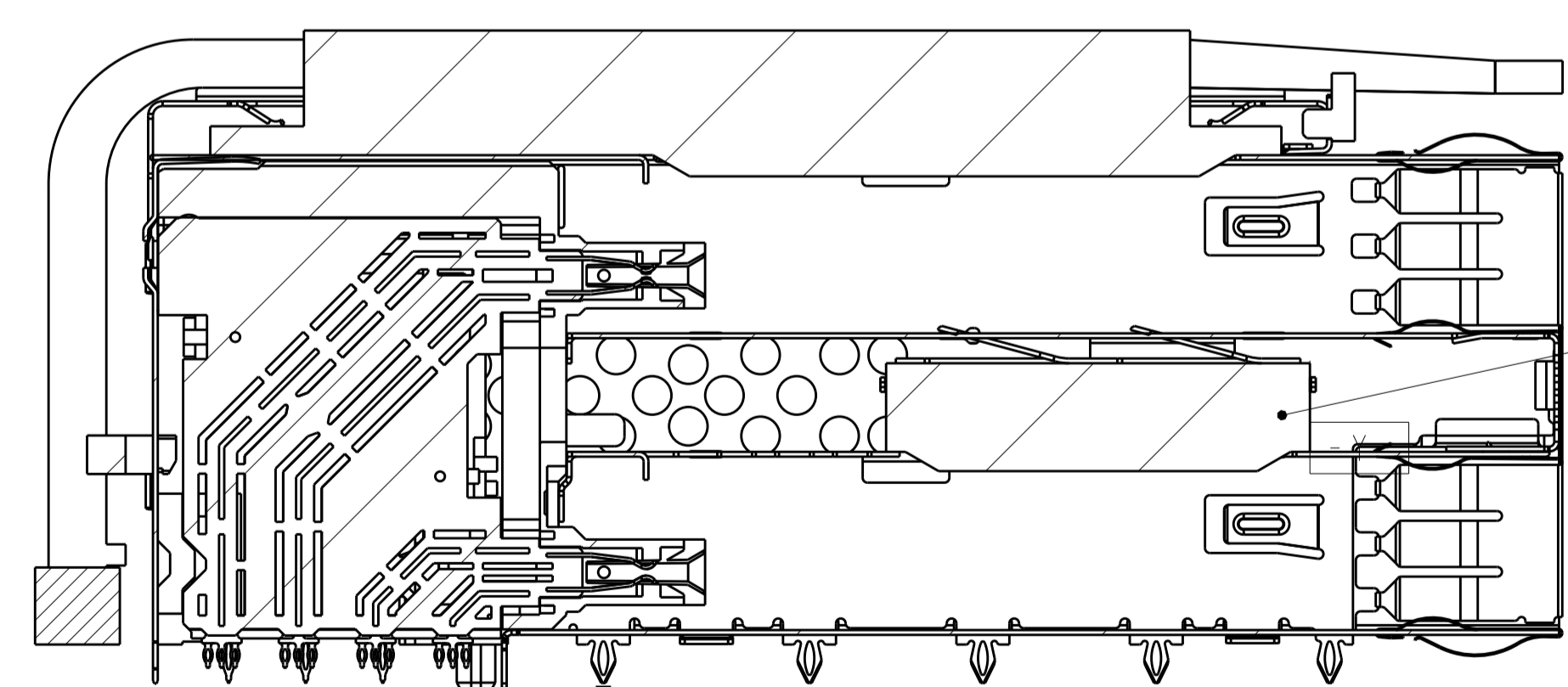
LOC	DIST	REVISIONS			
P.	LTN	DESCRIPTION	DATE	DWN	APVD
-	-	SEE SHEET 1	-	-	-



2299940-1 AS SHOWN  
 SCALE 3:1

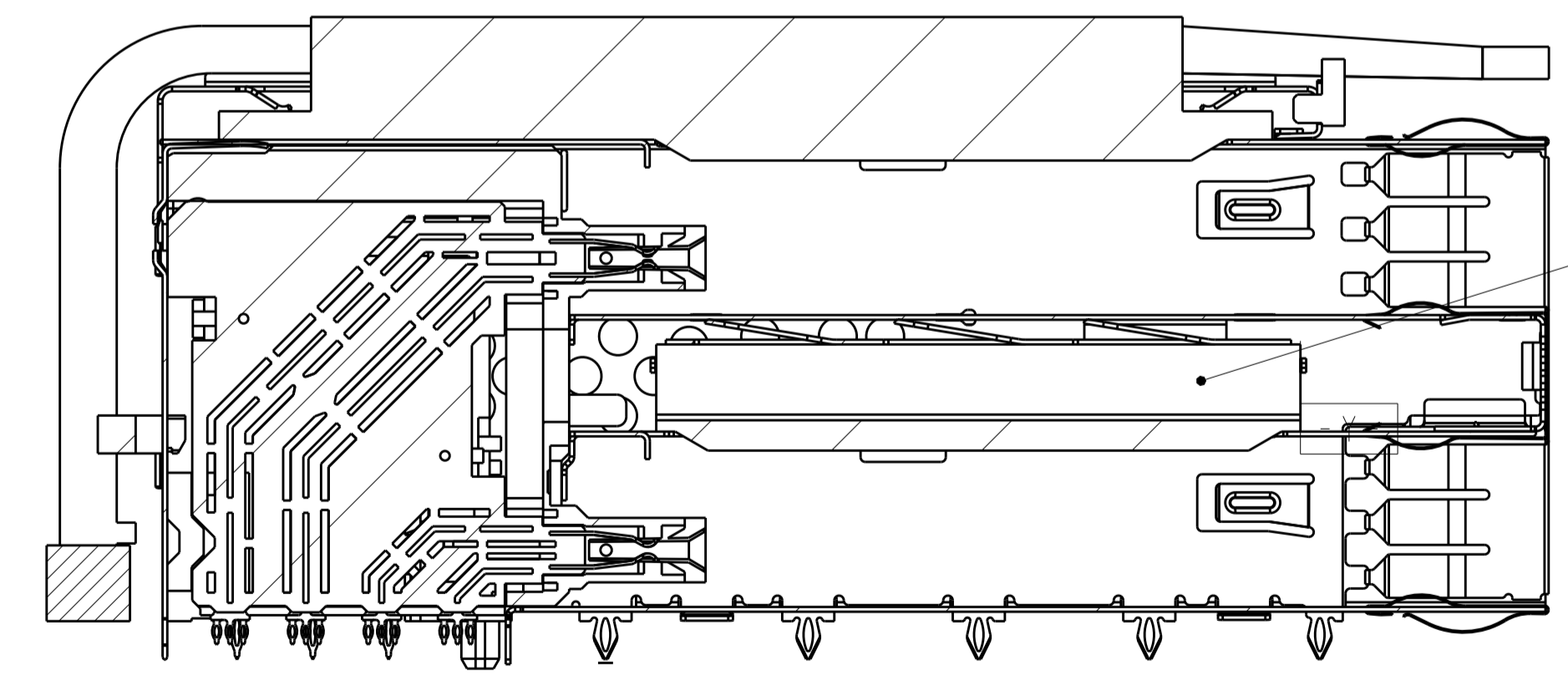


2299940-5 AS SHOWN  
 THE SAME APPEARANCE WITH 2299940-1  
 EXCEPT WITH DIFFERENT INTERNAL HEAT SINK  
 SCALE 3:1



2299940-1 WITH SHORT INTERNAL HEAT SINK  
 SECTION U-U  
 SCALE 3:1

SHORT INTERNAL HEAT SINK

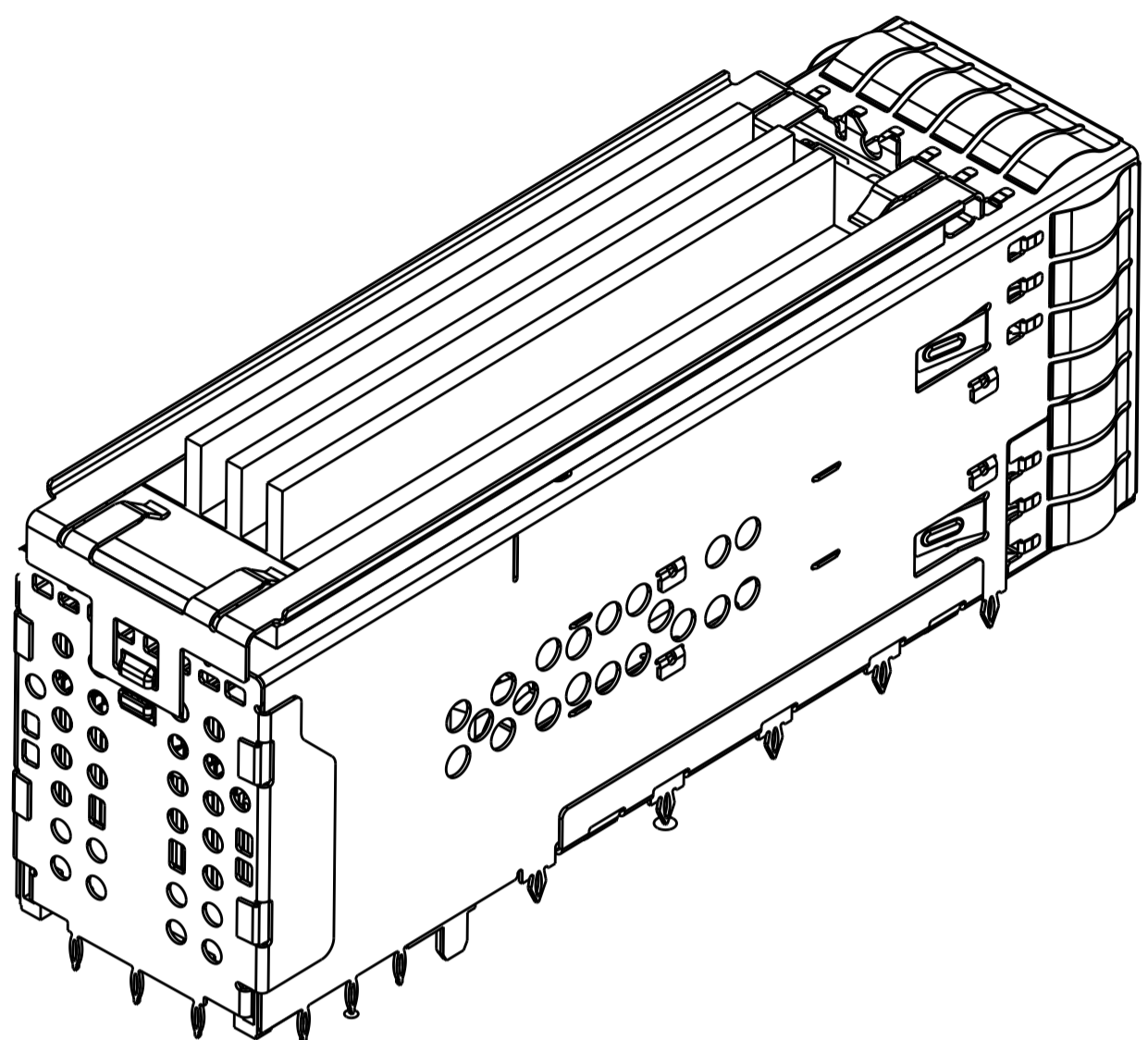


2299940-5 WITH LONGER INTERNAL HEAT SINK  
 SECTION U-U  
 SCALE 3:1

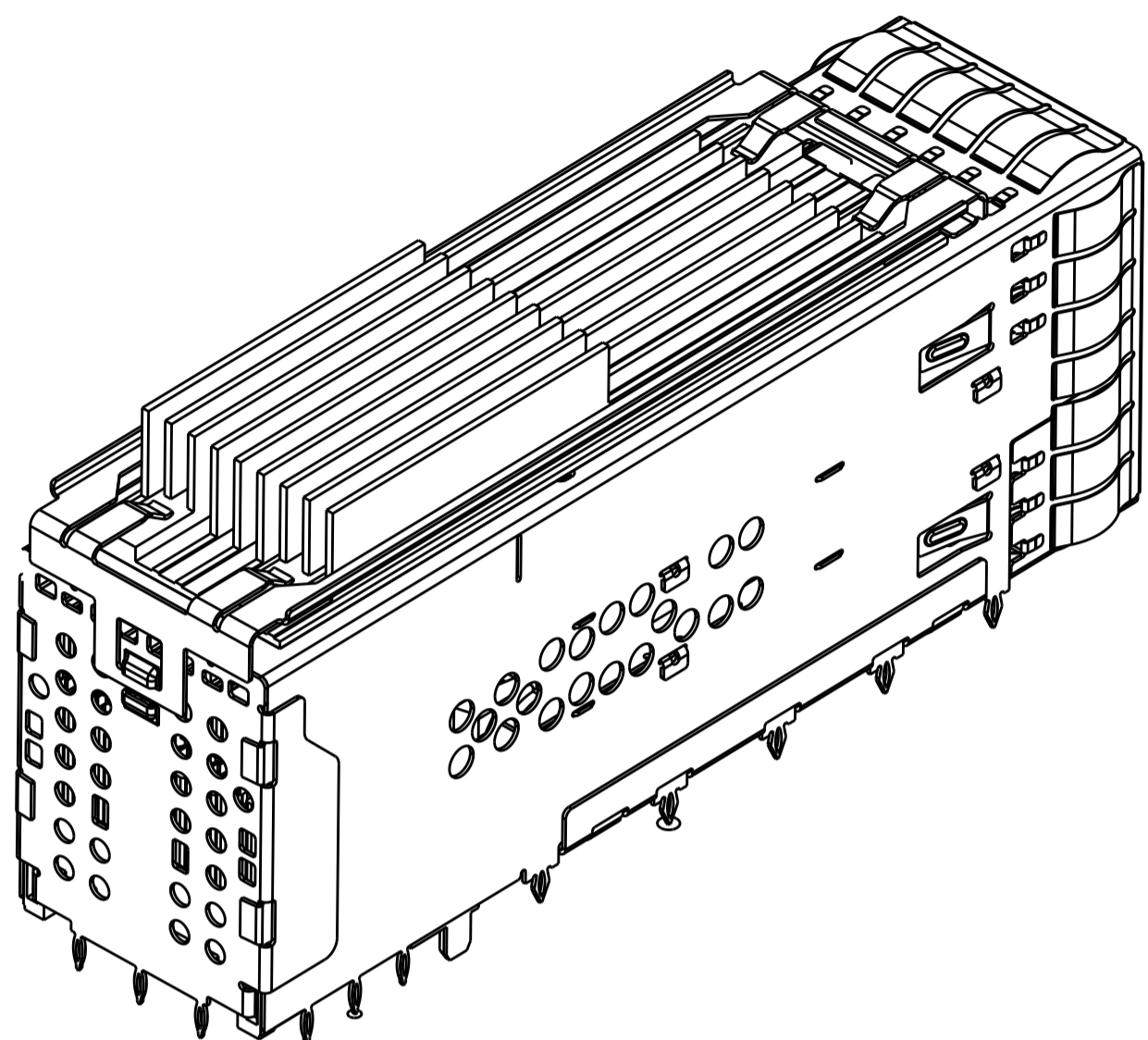
LONGER INTERNAL HEAT SINK

THIS DRAWING IS A CONTROLLED DOCUMENT.		DWN: ARTHUR JLN 02FEB2016	TE Connectivity
DIMENSIONS: mm		CHK: SEAN HAN 02FEB2016	
TOLERANCES UNLESS OTHERWISE SPECIFIED: 0 PLC ± 1 PLC ±0.25 2 PLC ±0.15 3 PLC ± 4 PLC ± ANGLES ±		APVD: SEAN HAN 02FEB2016	NAME: CAGE AND CONNECTOR ASSEMBLY WITH EMI SPRING FINGERS, THRU BEZEL, 2X1 ZOSFP+ STACKED WITH HS
MATERIAL: SEE NOTE 1		FINISH: -	PRODUCT SPEC: -
		WEIGHT: -	APPLICATION SPEC: -
		CUSTOMER DRAWING	RESTRICTED TO: -
		SCALE: 1:1	SIZE: A1
		SHEET: 2 OF 7	DRAWING NO: 100779C=2299940
		REV: B	

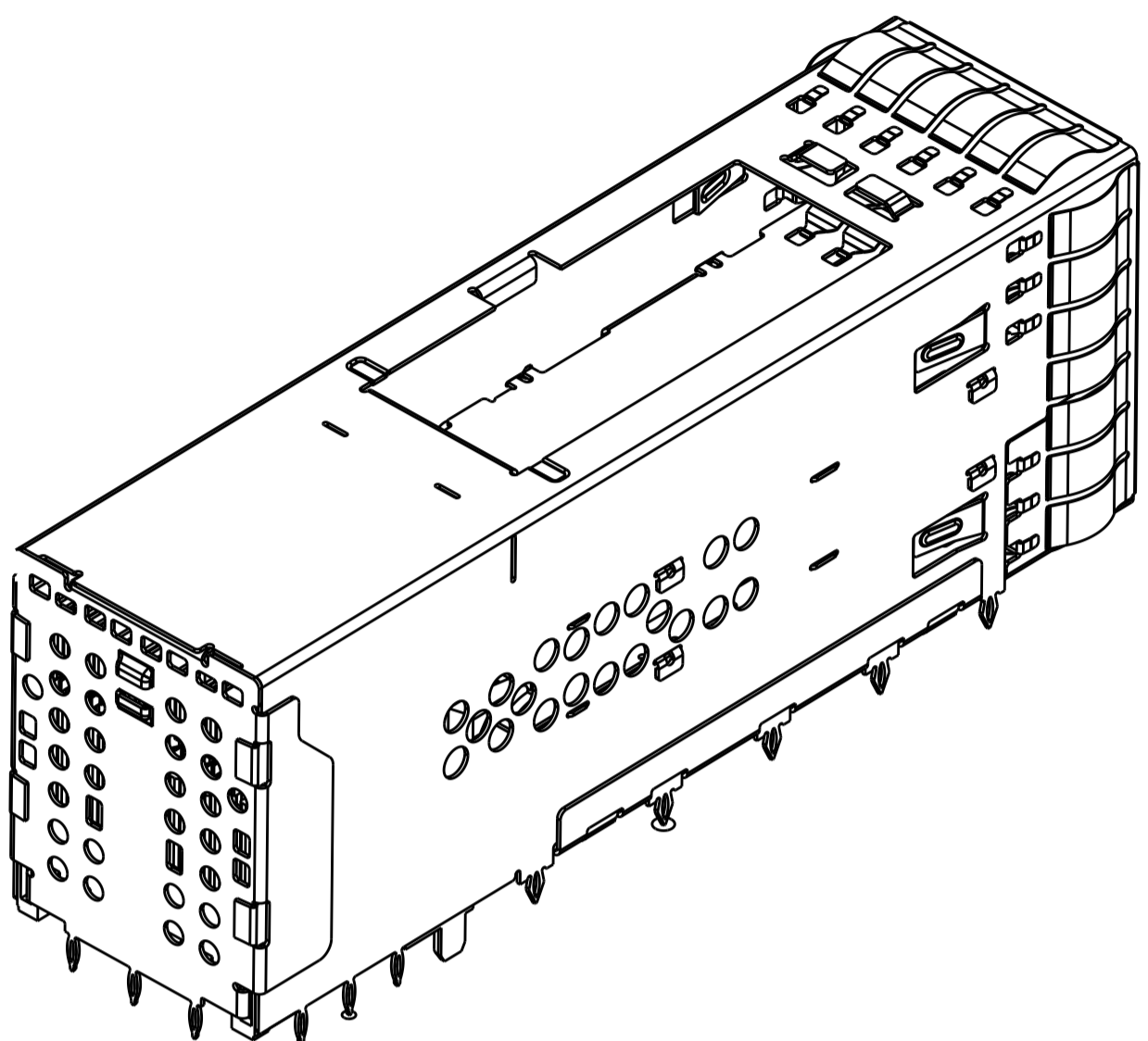
LOC		DIST		REVISIONS			
P.	LTN	DESCRIPTION	DATE	DMN	APVD		
-	-	SEE SHEET 1	-	-	-		



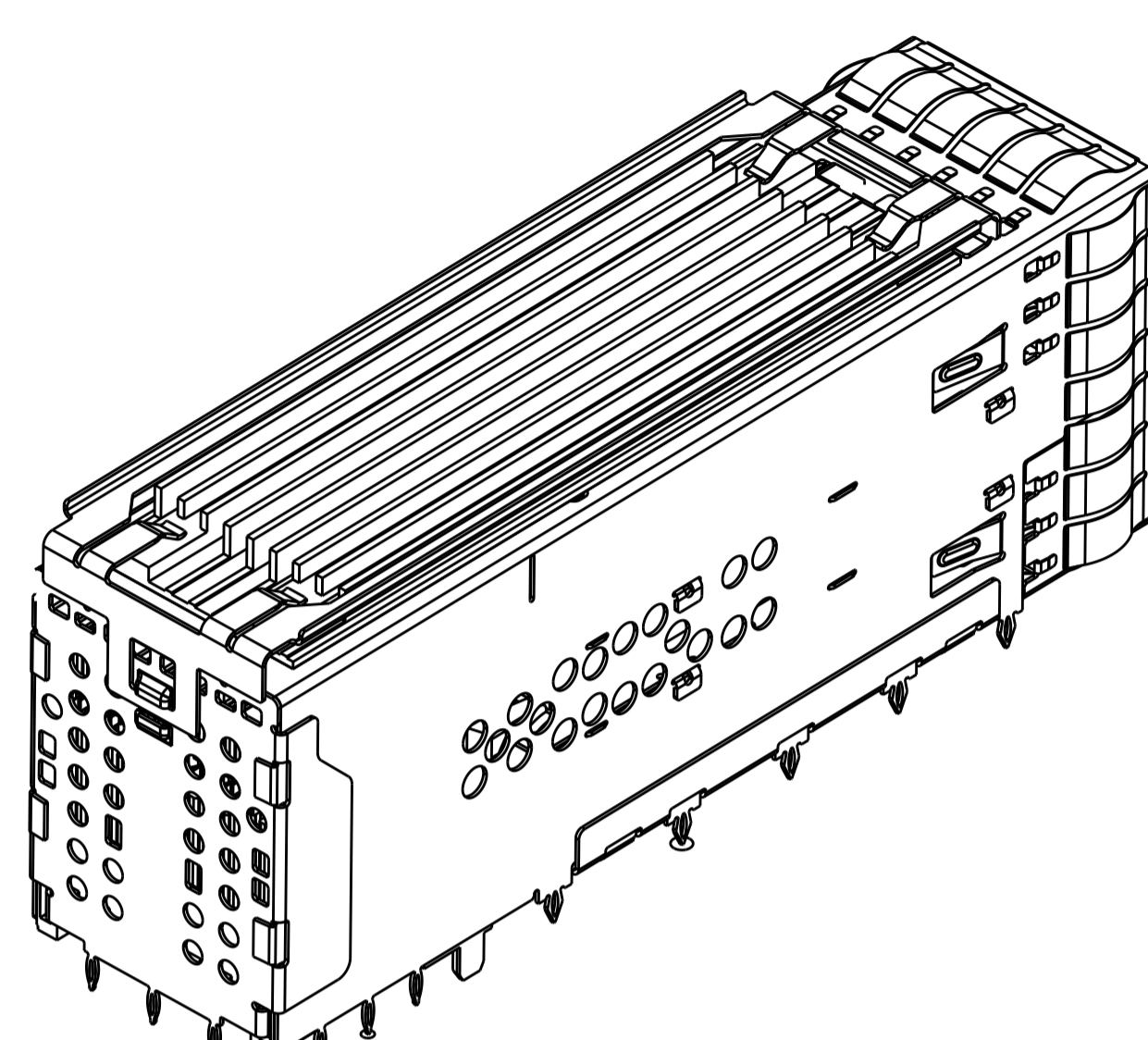
2299940-2 AS SHOWN  
 THE SAME AS 2299940-5 EXCEPT  
 W/O LIGHT PIPE AND ORGANIZER  
 SCALE 5:2



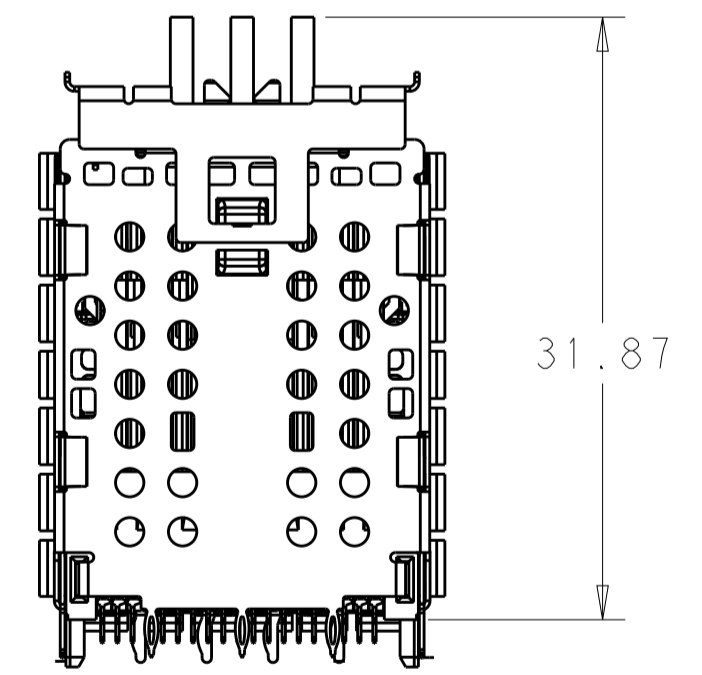
2299940-3 AS SHOWN  
 THE SAME AS 2299940-2  
 EXCEPT THE DIFFERENT EXTERNAL HEAT SINK  
 SCALE 5:2



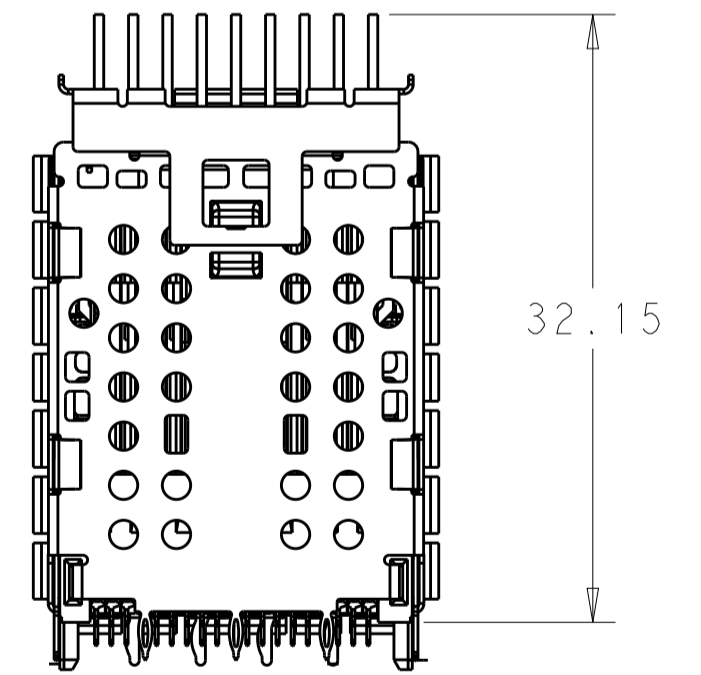
2299940-4 AS SHOWN  
 THE SAME AS 2299940-2  
 EXCEPT W/O EXTERNAL HEAT SIN/CLIP  
 SCALE 5:2



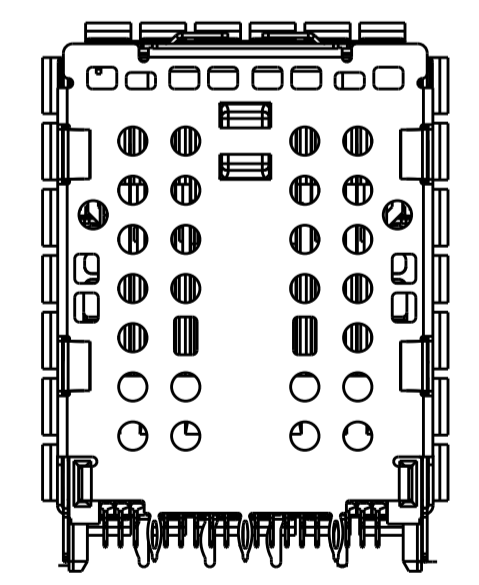
2299940-6  
 THE SAME AS 2299940-2  
 EXCEPT THE DIFFERENT EXTERNAL HEAT SINK  
 SCALE 5:2



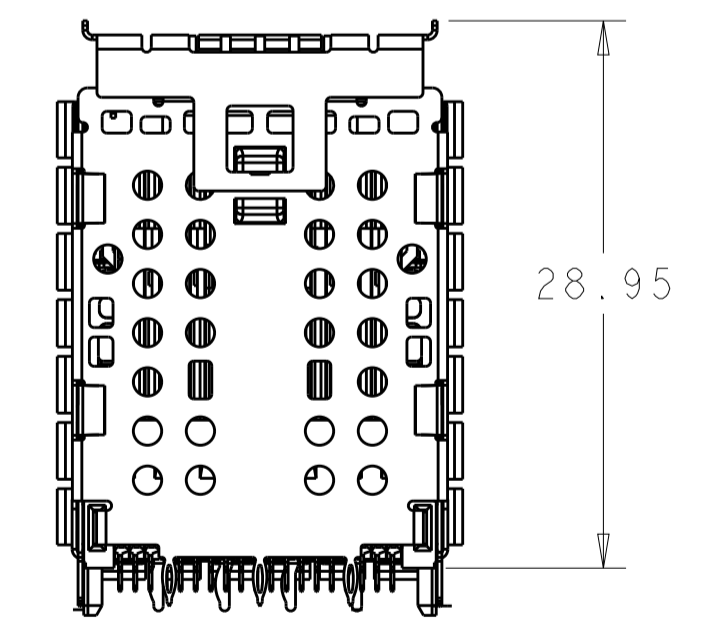
2299940-2 AS SHOWN  
 SCALE 5:2



2299940-3 AS SHOWN  
 SCALE 5:2



2299940-4 AS SHOWN  
 SCALE 5:2

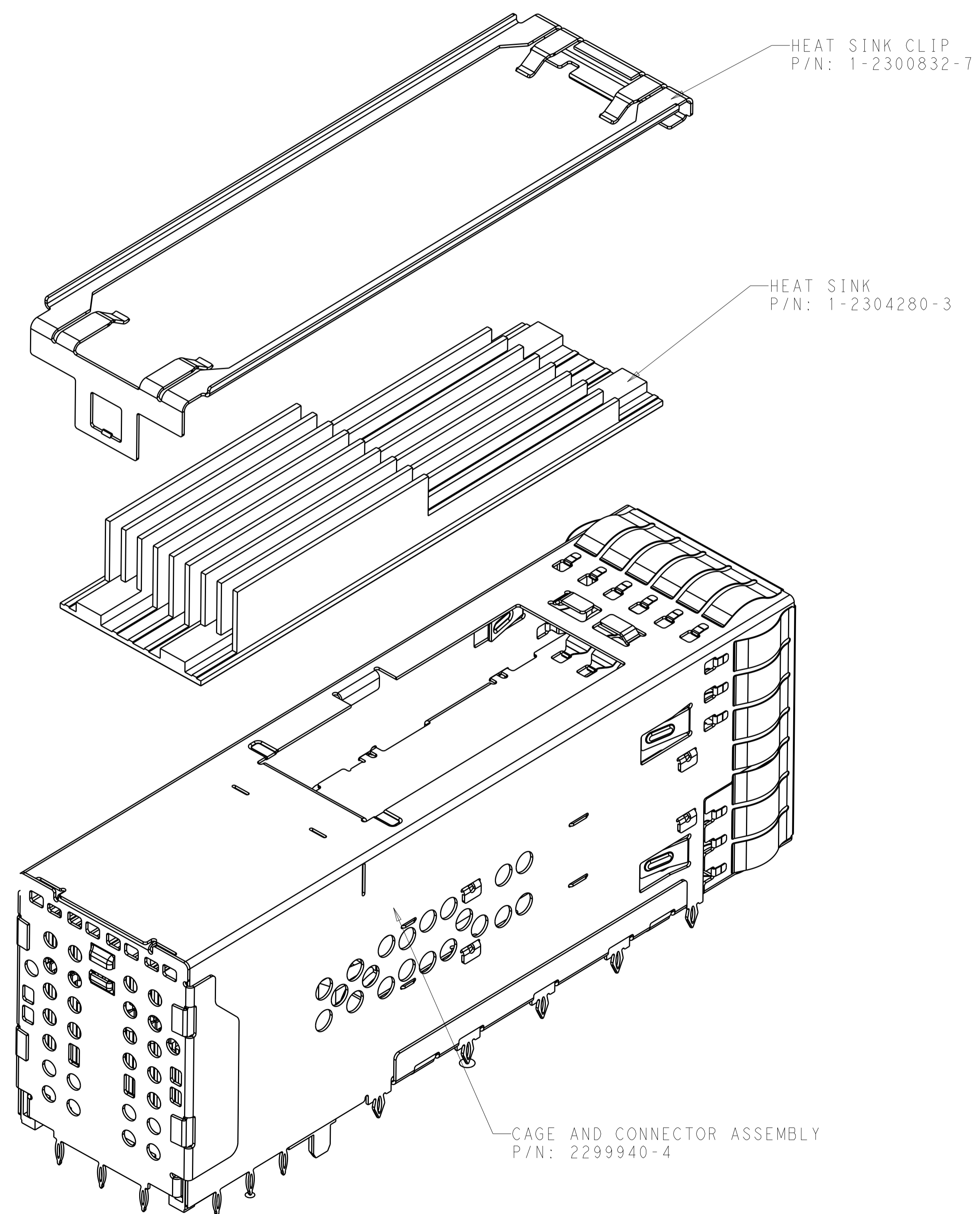


2299940-6 AS SHOWN  
 SCALE 5:2

THIS DRAWING IS A CONTROLLED DOCUMENT.		DMN: ARTHUR_JLN 02FEB2016	TE Connectivity
DIMENSIONS:		CHK: SEAN_HAN 02FEB2016	
mm		APVD: SEAN_HAN 02FEB2016	
0 PLC ± 1 PLC ±0.25 2 PLC ±0.15 3 PLC ± 4 PLC ± ANGLES ±		NAME: CAGE AND CONNECTOR ASSEMBLY WITH EMI SPRING FINGERS, THRU BEZEL, 2X1 ZOSFP+ STACKED WITH HS PRODUCT SPEC: APPLICATION SPEC: SIZE: A1 CAGE CODE: 00779 DRAWING NO: C=2299940 RESTRICTED TO:	
MATERIAL: SEE NOTE 1		FINISH:	WEIGHT: CUSTOMER DRAWING SCALE: 1:1 SHEET: 3 OF 7 REV: B

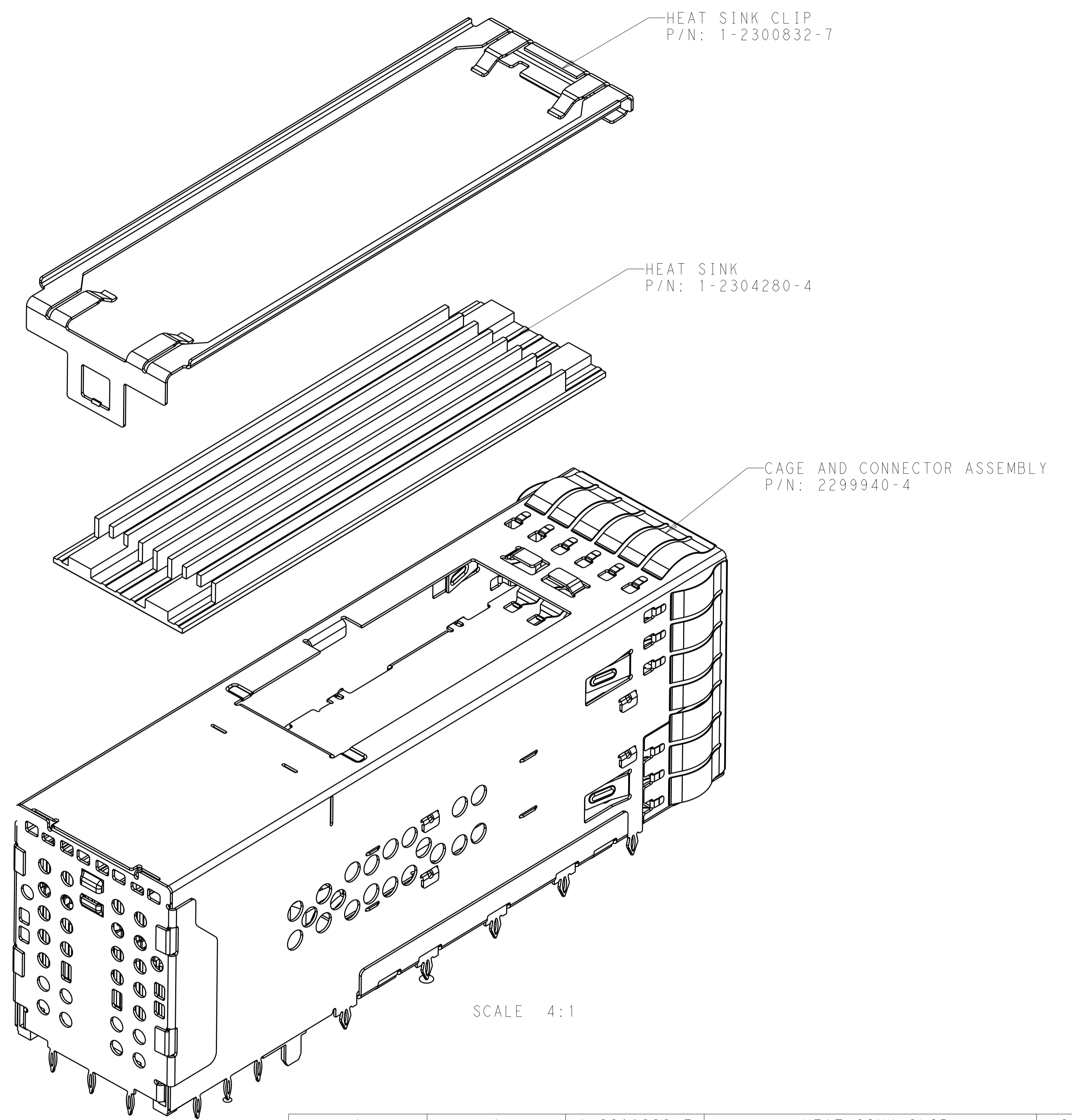
LOC		DIST		REVISIONS			
P.	LTN	DESCRIPTION	DATE	DWN	APVD		
-	-	SEE SHEET 1	-	-	-		

2299940-3 AS SHOWN, KIT PACKAGE



SCALE 4:1

2299940-6 AS SHOWN, KIT PACKAGE

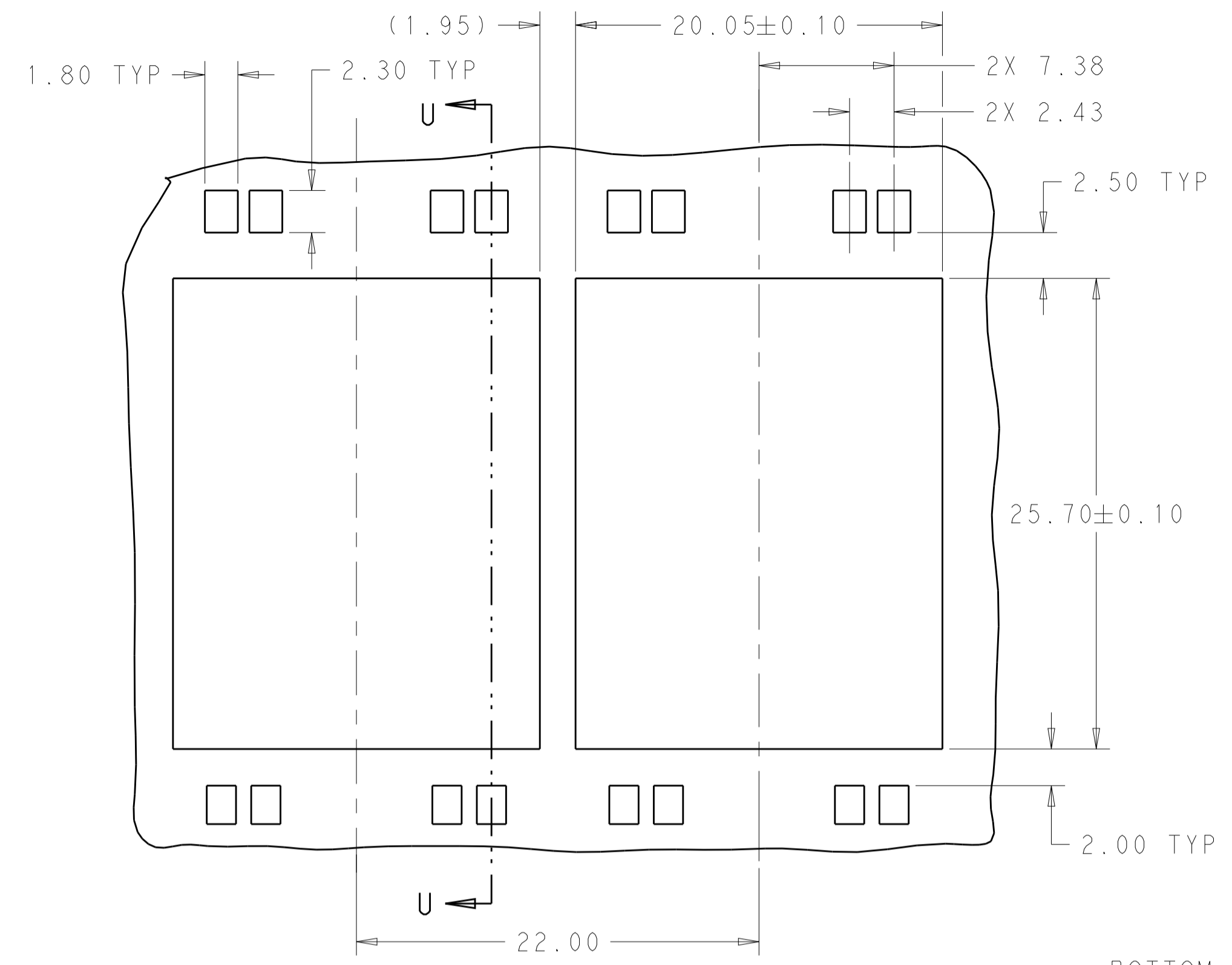


SCALE 4:1

1	1	1-2300832-7	HEAT SINK CLIP	3
1	-	1-2304280-4	HEAT SINK	2
-	1	1-2304280-3		
1	1	2299940-4	CAGE AND CONNECTOR ASSEMBLY	1
2299940-6	2299940-3	PART NUMBER	DESCRIPTION	ITEM

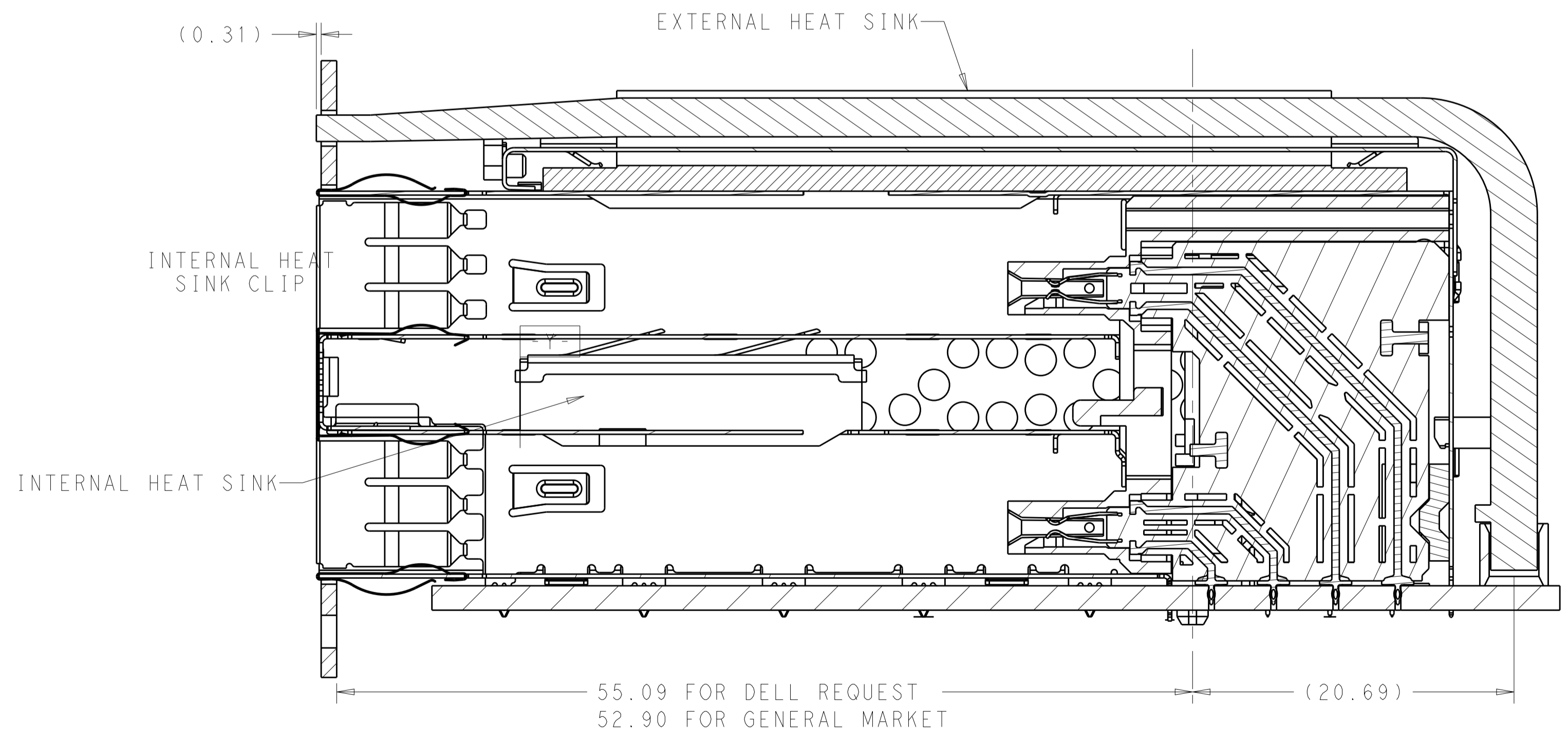
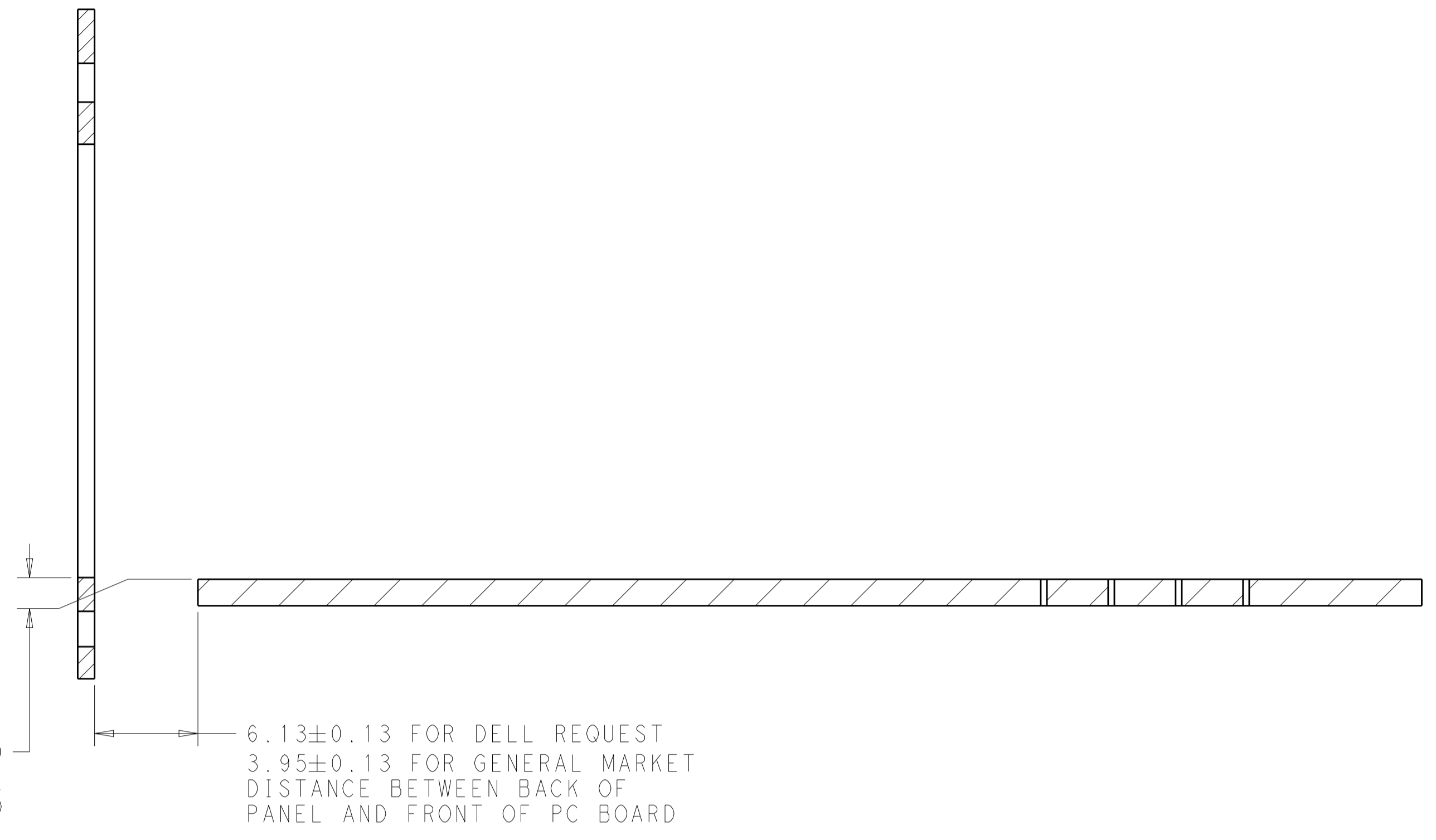
THIS DRAWING IS A CONTROLLED DOCUMENT.		DWN: ARTHUR JIN 02FEB2016	TE Connectivity NAME: CAGE AND CONNECTOR ASSEMBLY WITH EMI SPRING FINGERS, THRU BEZEL, 2X1 ZOSFP+ STACKED WITH HS SIZE: CAGE CODE DRAWING NO. RESTRICTED TO: A100779C=2299940
DIMENSIONS: mm		CHK: SEAN HAN 02FEB2016	
TOLERANCES UNLESS OTHERWISE SPECIFIED:		APVD: SEAN HAN 02FEB2016	
0 PLC ± 1 PLC ±0.25 2 PLC ±0.15 3 PLC ± 4 PLC ± ANGLES ±		PRODUCT SPEC	
MATERIAL: SEE NOTE 1		FINISH: -	APPLICATION SPEC
		WEIGHT: -	CUSTOMER DRAWING

LOC		DIST		REVISIONS			
P.	LTN	DESCRIPTION	DATE	DMN	APVD		
-	-	SEE SHEET 1	-	-	-		



RECOMMENDED PANEL CUTOUT AND PC BOARD, PANEL POSITION

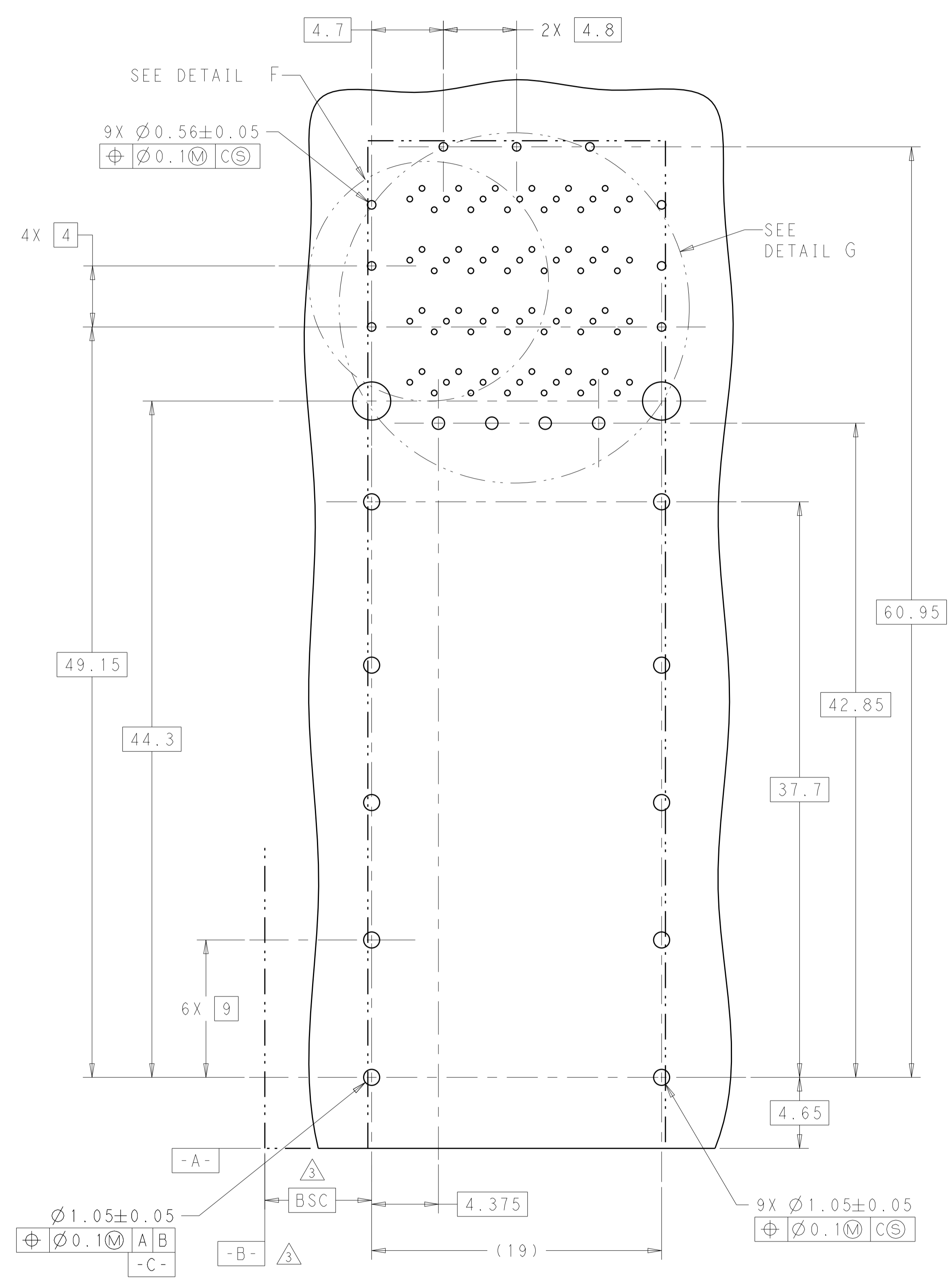
0.10  
 BOTTOM OF CUTOUT IN PANEL TO TOP OF PC BOARD



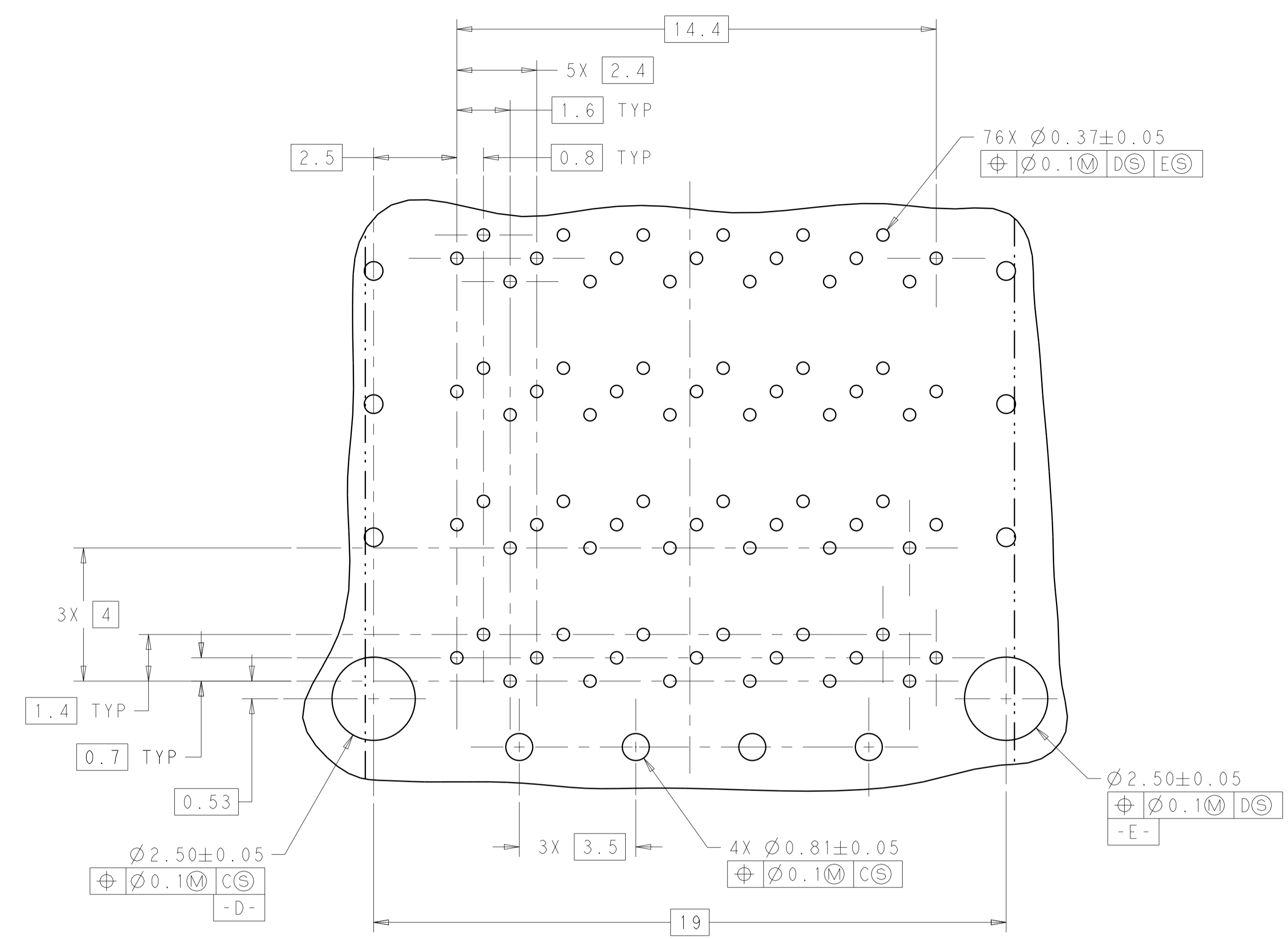
SECTION U-U  
 SCALE 4:1

THIS DRAWING IS A CONTROLLED DOCUMENT.		DMN: ARTHUR JIN 02FEB2016	TE Connectivity
DIMENSIONS: mm		CHK: SEAN HAN 02FEB2016	
TOLERANCES UNLESS OTHERWISE SPECIFIED:		APVD: SEAN HAN 02FEB2016	NAME: CAGE AND CONNECTOR ASSEMBLY WITH EMI SPRING FINGERS, THRU BEZEL, 2X1 ZOSFP+ STACKED WITH HS
0 PLC ± 1 PLC ±0.25 2 PLC ±0.15 3 PLC ± 4 PLC ± ANGLES ±		PRODUCT SPEC	
MATERIAL: SEE NOTE 1		FINISH: -	APPLICATION SPEC
		WEIGHT: -	RESTRICTED TO: -
		CUSTOMER DRAWING	SIZE: A1 CAGE CODE: 00779 DRAWING NO: C=2299940
		SCALE: 1:1	SHEET 5 OF 7 REV B

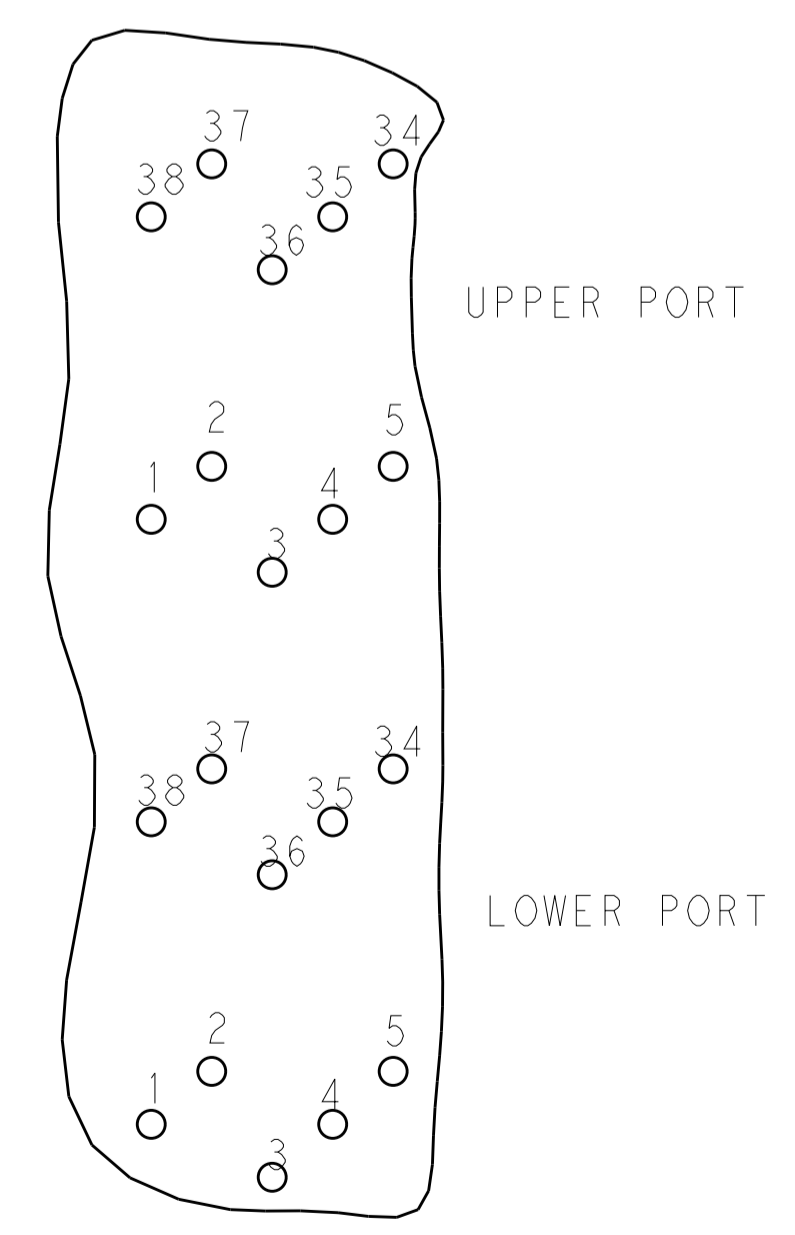
LOC	DIST	REVISIONS			
P.	LTN	DESCRIPTION	DATE	DWN	APVD
-	-	SEE SHEET 1	-	-	-



RECOMMENDED PC BOARD LAYOUT  
 COMPONENT SIDE OF BOARD  
 SCALE 5:1  
 (PCB TOLERANCE: ±0.05)



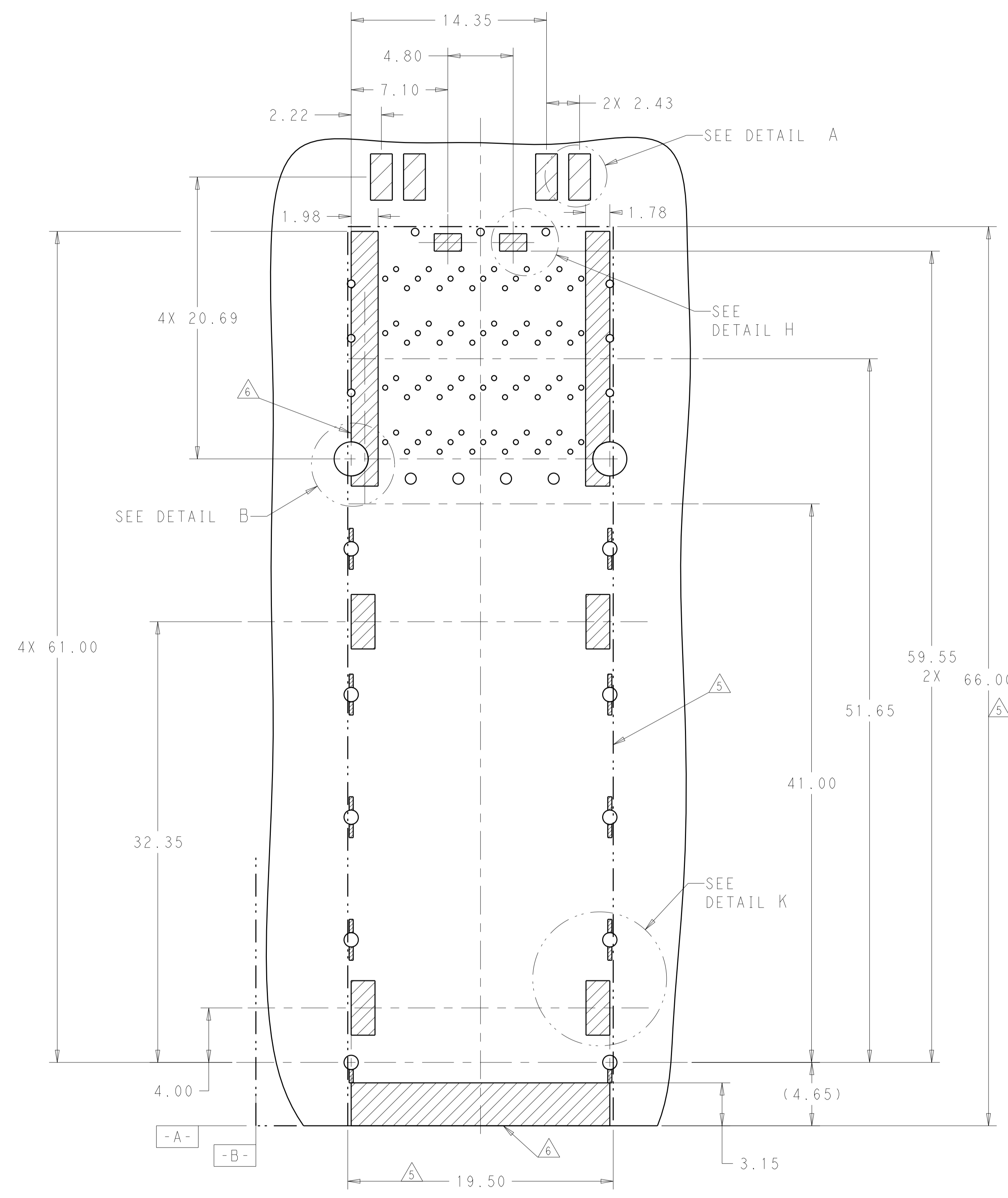
DETAIL G  
 SCALE 10:1



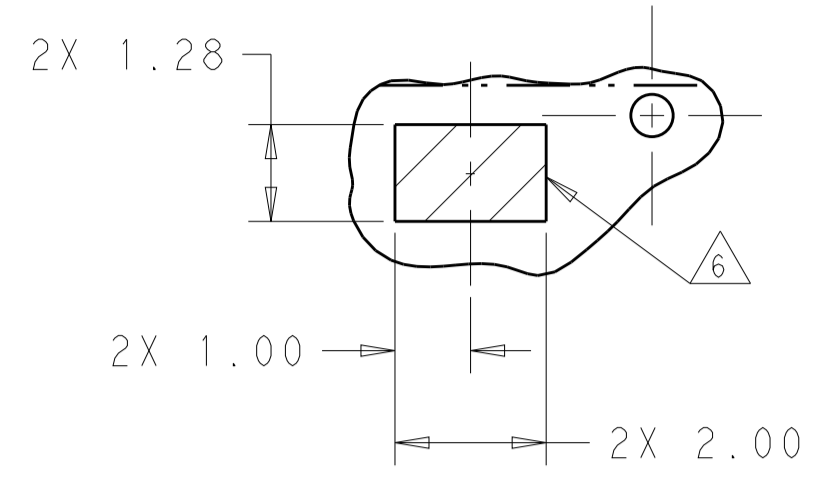
DETAIL F  
 SCALE 10:1  
 PIN ASSIGNMENTS

THIS DRAWING IS A CONTROLLED DOCUMENT.		DWN: ARTHUR JIN 02FEB2016	TE Connectivity
DIMENSIONS: mm		CHK: SEAN HAN 02FEB2016	
TOLERANCES UNLESS OTHERWISE SPECIFIED:		APVD: SEAN HAN 02FEB2016	NAME: CAGE AND CONNECTOR ASSEMBLY WITH EMI SPRING FINGERS, THRU BEZEL, 2X1 ZOSFP+ STACKED WITH HS
0 PLC ±	1 PLC ±0.25	PRODUCT SPEC	SIZE: A100779C=2299940
2 PLC ±0.15	3 PLC ±	APPLICATION SPEC	RESTRICTED TO
4 PLC ±	ANGLES ±	WEIGHT	SCALE: 1:1 SHEET 6 OF 7 REV B
MATERIAL: SEE NOTE 1	FINISH	CUSTOMER DRAWING	

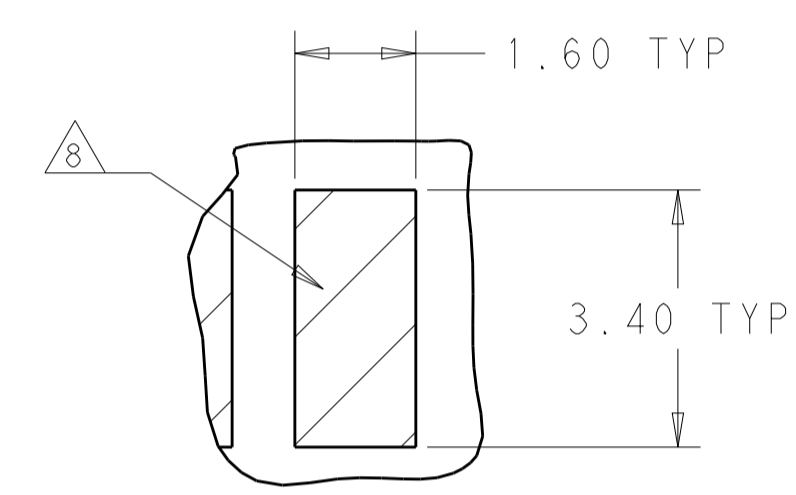
LOC		DIST		REVISIONS			
P	LTN	DESCRIPTION	DATE	DMN	APVD		
-	-	SEE SHEET 1	-	-	-		



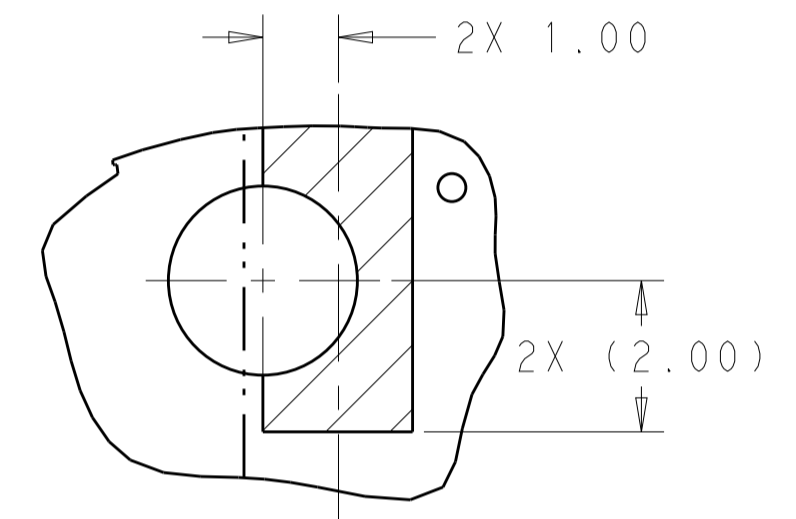
KEEPOUT AREAS FOR 4 LP APPLICATON  
 COMPONENT SIDE OF BOARD  
 SCALE 5:1



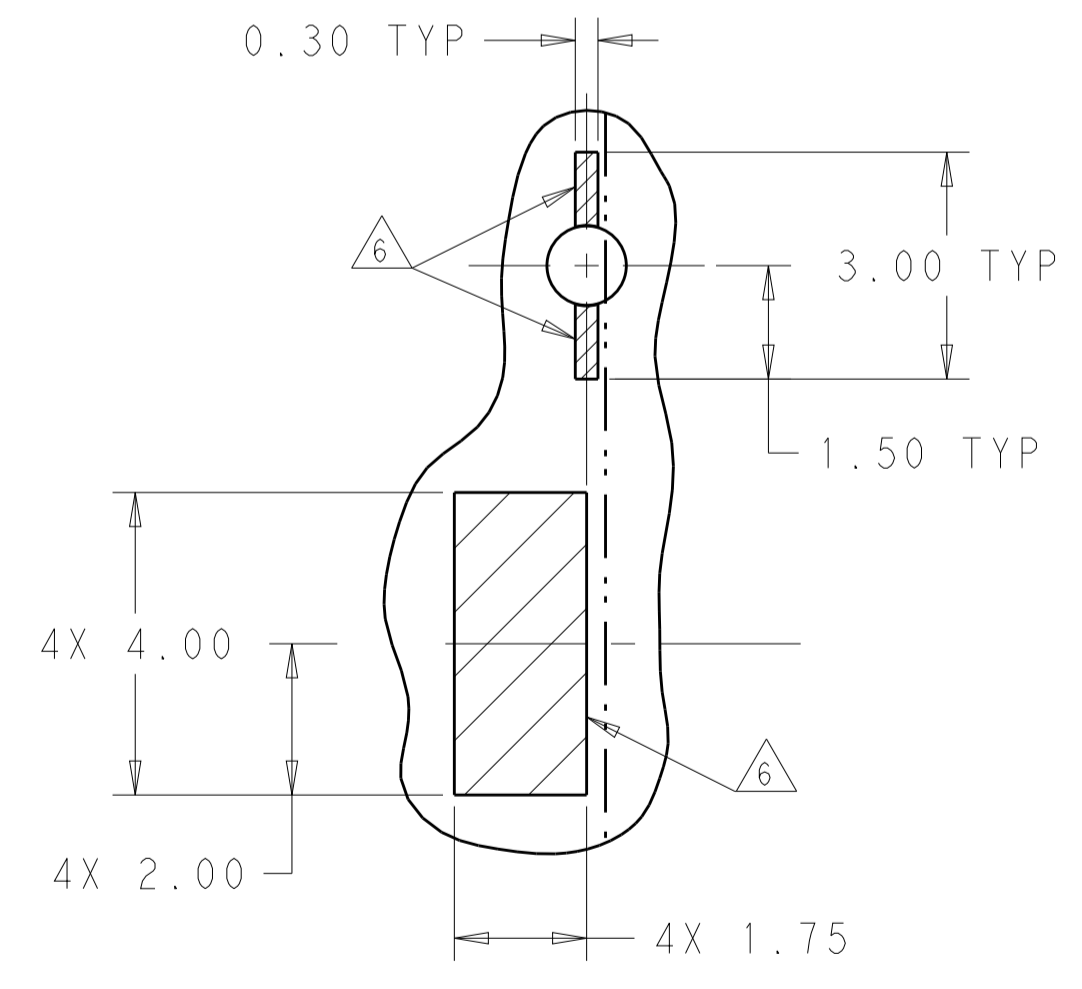
DETAIL H  
 SCALE 10:1



DETAIL A  
 LED PADS  
 SCALE 10:1



DETAIL B  
 SCALE 10:1



DETAIL K  
 SCALE 10:1

THIS DRAWING IS A CONTROLLED DOCUMENT.		DMN ARTHUR JLN 02FEB2016	TE Connectivity
DIMENSIONS: mm		CHK SEAN HAN 02FEB2016	
TOLERANCES UNLESS OTHERWISE SPECIFIED:		APVD SEAN HAN 02FEB2016	NAME
0 PLC ±	1 PLC ±0.25	PRODUCT SPEC	CAGE AND CONNECTOR ASSEMBLY WITH
2 PLC ±0.15	3 PLC ±	APPLICATION SPEC	EMI SPRING FINGERS, THRU BEZEL,
4 PLC ±	ANGLES ±	FINISH	2X1 ZOSFP+ STACKED WITH HS
MATERIAL	FINISH	WEIGHT	SIZE CAGE CODE DRAWING NO RESTRICTED TO
SEE NOTE 1			A100779C=2299940
CUSTOMER DRAWING		SCALE 1:1	SHEET 7 OF 7 REV B