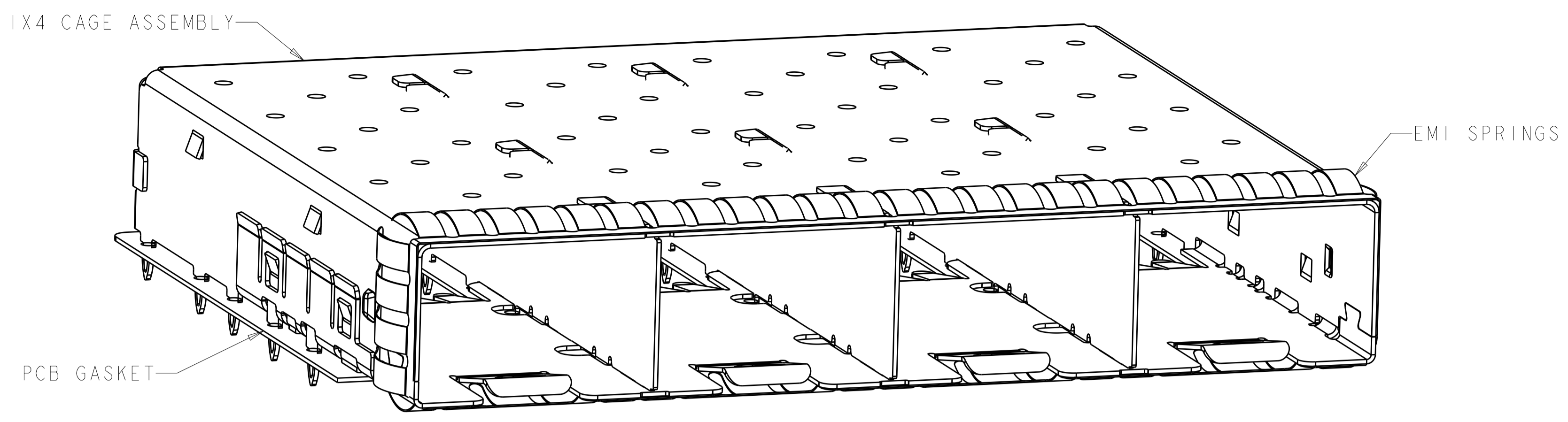
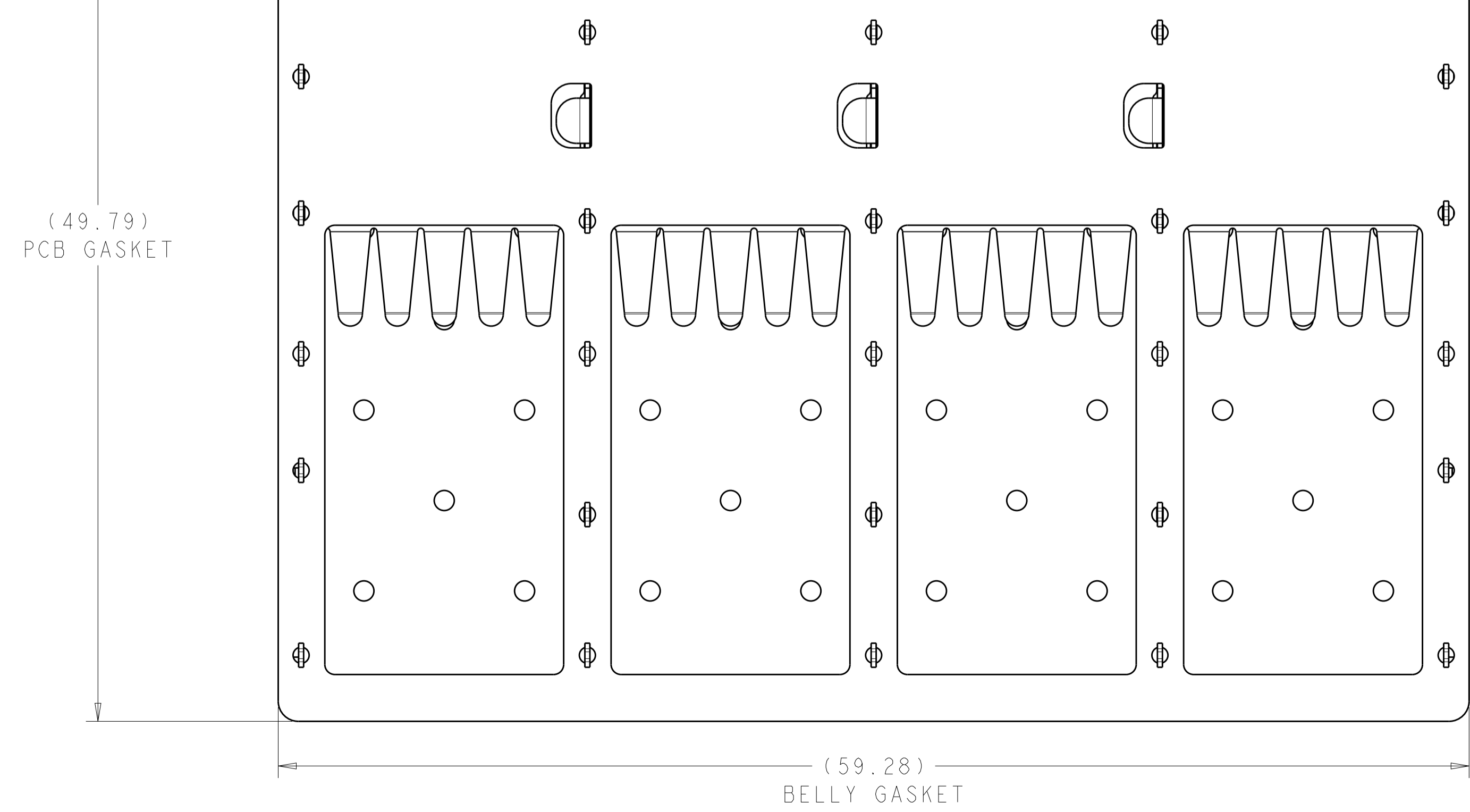
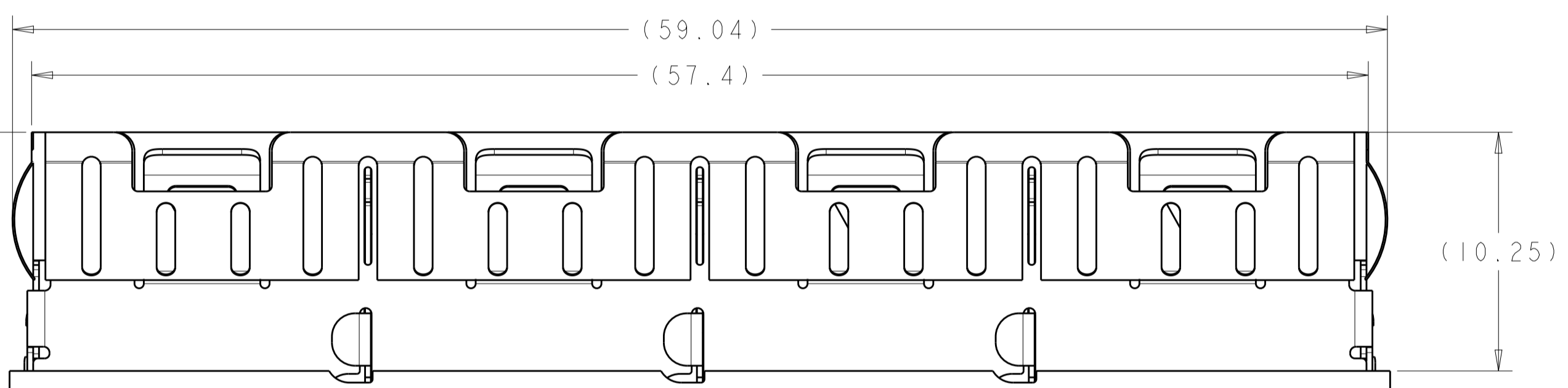
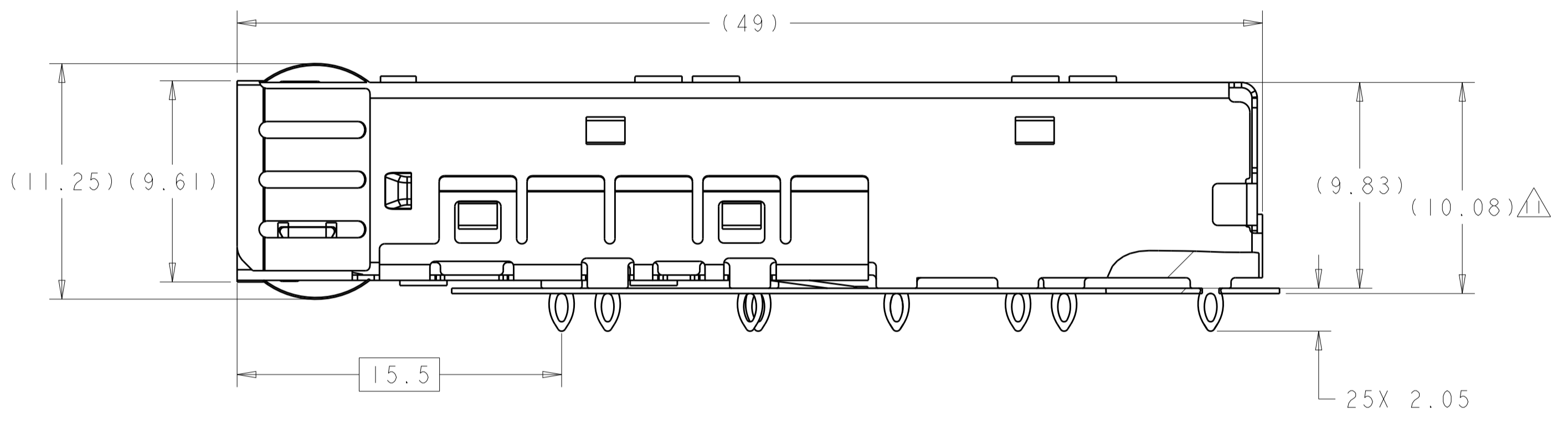
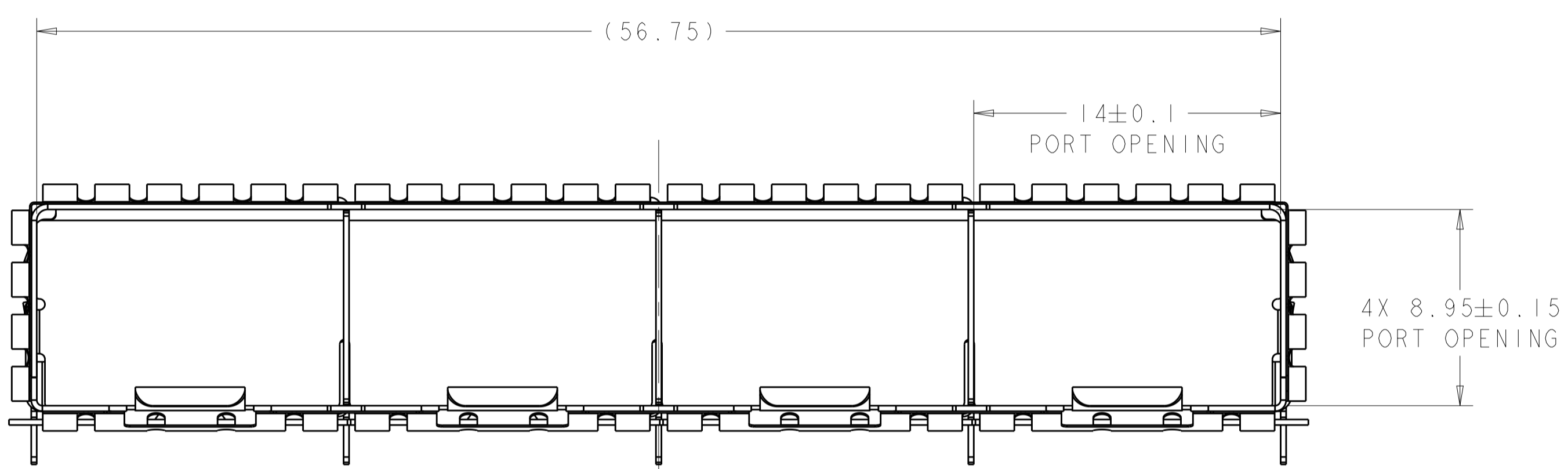


LOC		DIST		REVISIONS			
GP	00	P	LTN	DESCRIPTION	DATE	DMN	APVD
		A		PRODUCTION RELEASE	16 JUN 2017	JW	SH
		B		DOC STATUS CHANGE	05 AUG 2019	ES	SH



- ⚠ MATERIAL:  
 CAGE ASSEMBLY: NICKEL SILVER ALLOY  
 EMI SPRINGS: COPPER ALLOY  
 PCB GASKET: RF ABSORBER
- ⚠ MINIMUM PC BOARD THICKNESS:  
 SINGLE SIDED = 3.2mm  
 BELLY TO BELLY = 3.2mm
- ⚠ PADS AND VIAS CHASSIS GROUND
- ⚠ DATUM AND BASIC DIMENSION ESTABLISHED BY CUSTOMER
- 5. MATES WITH SFP MSA COMPLIANT TRANSCEIVERS
- 6. INTERPRETATION OF DATUM REFERENCE FRAME IN ACCORDANCE WITH SECT 4.4.1.1 OF ASME Y14.5M-1994
- ⚠ REFERENCE APPLICATION SPEC. 114-13120, HOLE A, FOR RECOMMENDED DRILL HOLE DIAMETER AND PLATING THICKNESS
- ⚠ REFERENCE APPLICATION SPEC. 114-13120, HOLE B, FOR RECOMMENDED DRILL HOLE DIAMETER AND PLATING THICKNESS
- ⚠ HOLE PATTERN REPEATS FOR EACH PORT, SPACING BETWEEN PORTS IS 14.25mm
- 10. PRODUCT COMPLIES WITH SPECIFICATION SFF-8433, IMPROVED PLUGGABLE FORM FACTOR FOR SFP+ GANGED CAGES
- ⚠ CONTACT STANDOFF WILL PIERCE GASKET WHEN PROPERLY PRESSED INTO PCB.



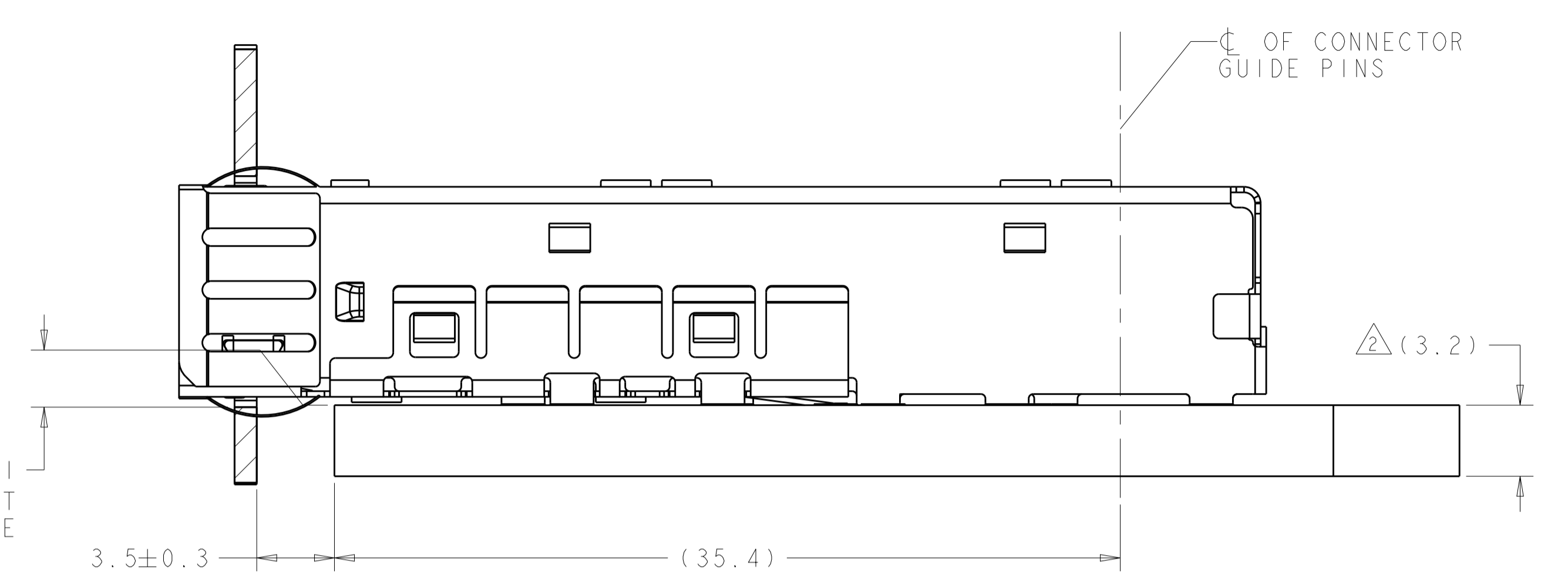
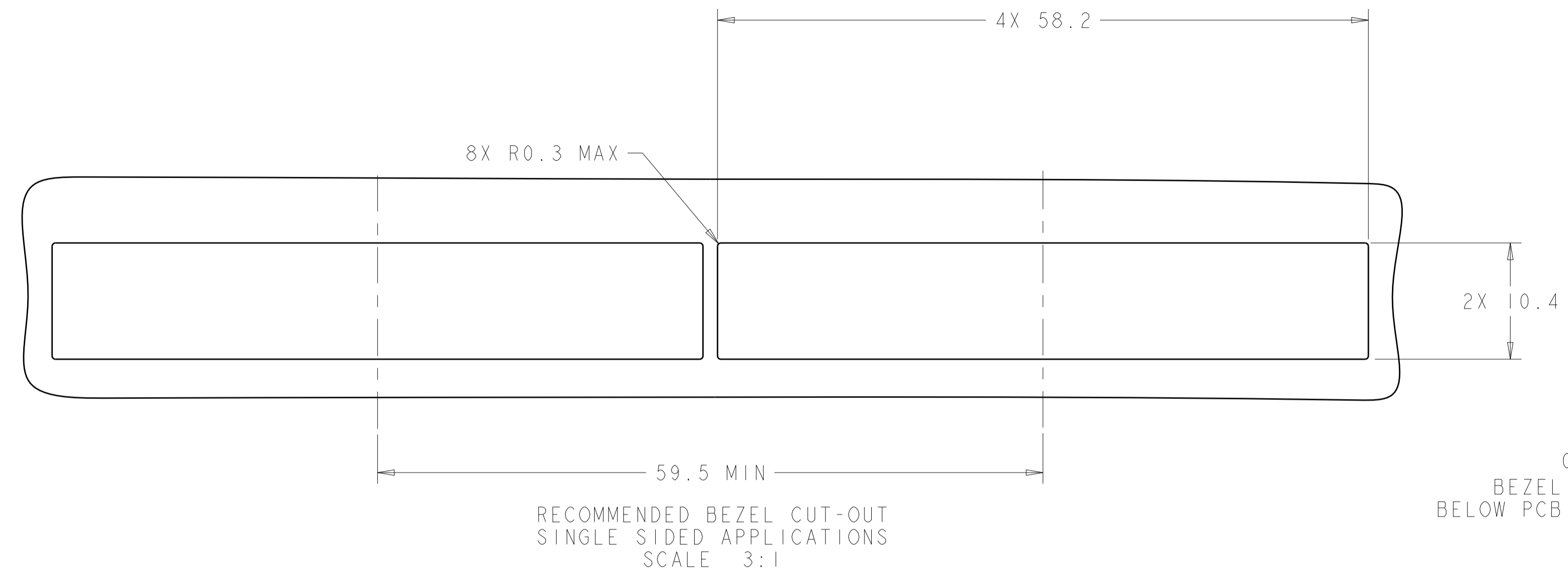
2300275-1  
PART NUMBER

THIS DRAWING IS A CONTROLLED DOCUMENT.		OWN: REVIN 02FEB2016		
DIMENSIONS: mm		CHK: SEAN HAN 02FEB2016		
TOLERANCES UNLESS OTHERWISE SPECIFIED:		APVD: SEAN HAN 02FEB2016	NAME: CAGE ASSEMBLY WITH EMI SPRINGS, PRESS-FIT, 1X4, zSFP+	
0 PLC ±0.1		PRODUCT SPEC: 108-2364	SIZE: CAGE CODE DRAWING NO: A100779C=2300275	
1 PLC ±0.1		APPLICATION SPEC: 114-13120	RESTRICTED TO: -	
2 PLC ±0.08		WEIGHT: -	SCALE: 5:1 SHEET 1 OF 4 REV B	
3 PLC ±0.05		CUSTOMER DRAWING		
4 PLC ±0.05				
ANGLES ±0.05				
FINISH: SEE NOTES				

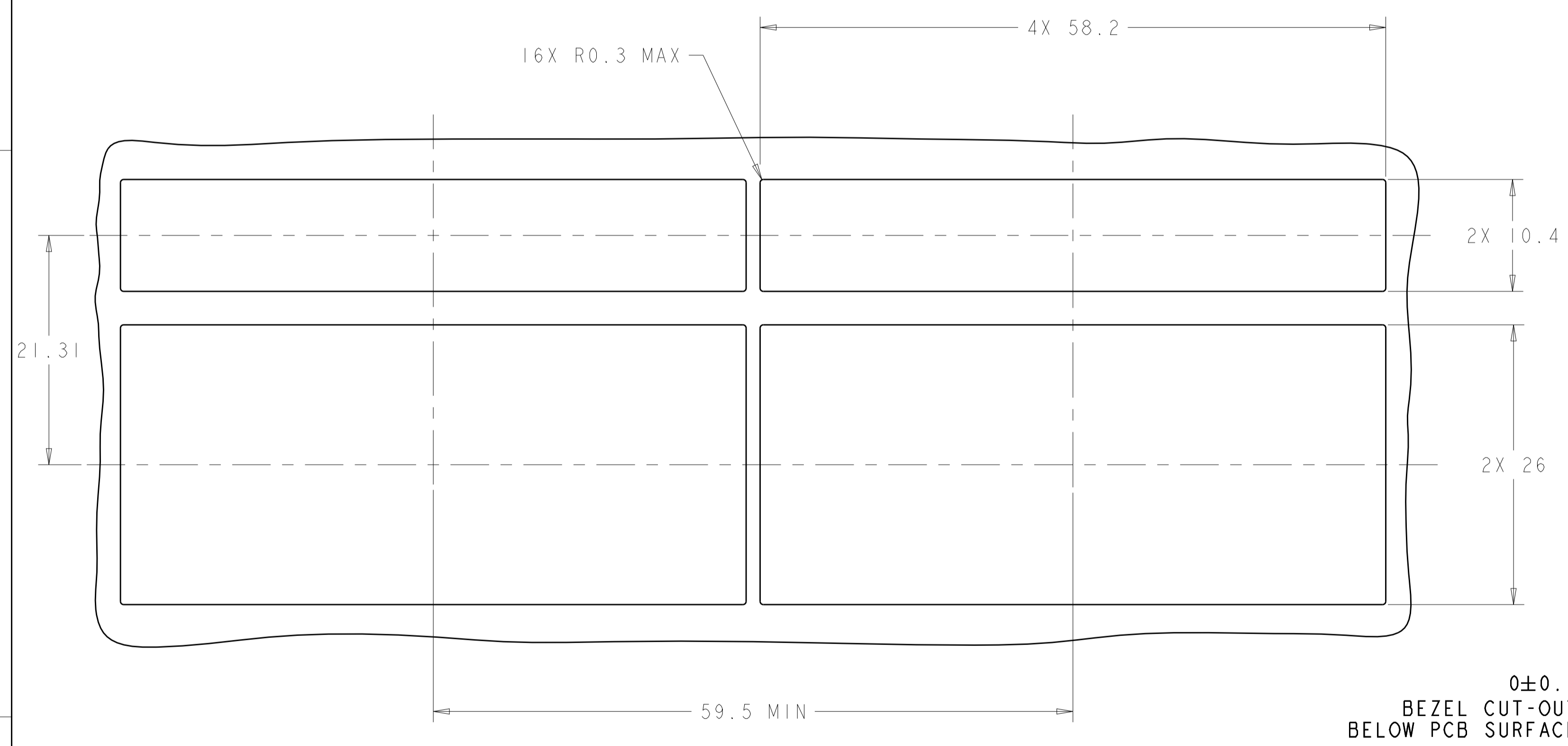
LOC	DIST	REV	DATE	BY	APPD
GP	00				

REVISIONS			
NO.	DESCRIPTION	DATE	BY
1	SEE SHEET 1		

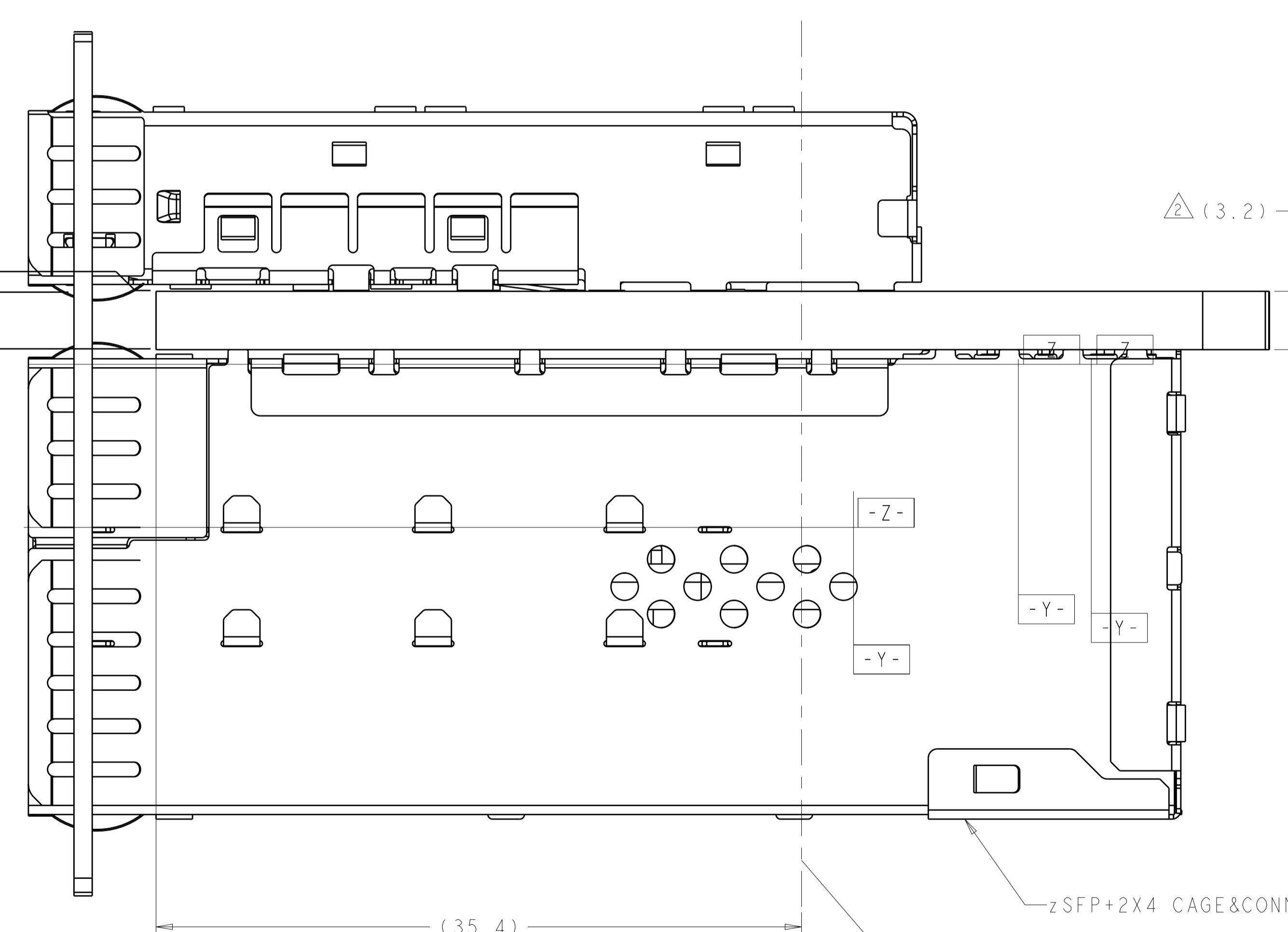


MOUNTED ON PC BOARD  
SHOWN THRU RECOMMENDED BEZEL  
SCALE 5:1



0.09±0.1  
BEZEL CUT-OUT  
BELOW PCB SURFACE

0±0.1  
BEZEL CUT-OUT  
BELOW PCB SURFACE



MOUNTED BELLY TO BELLY ON PC BOARD  
SHOWN THRU RECOMMENDED BEZEL  
SCALE 5:1

THIS DRAWING IS A CONTROLLED DOCUMENT.

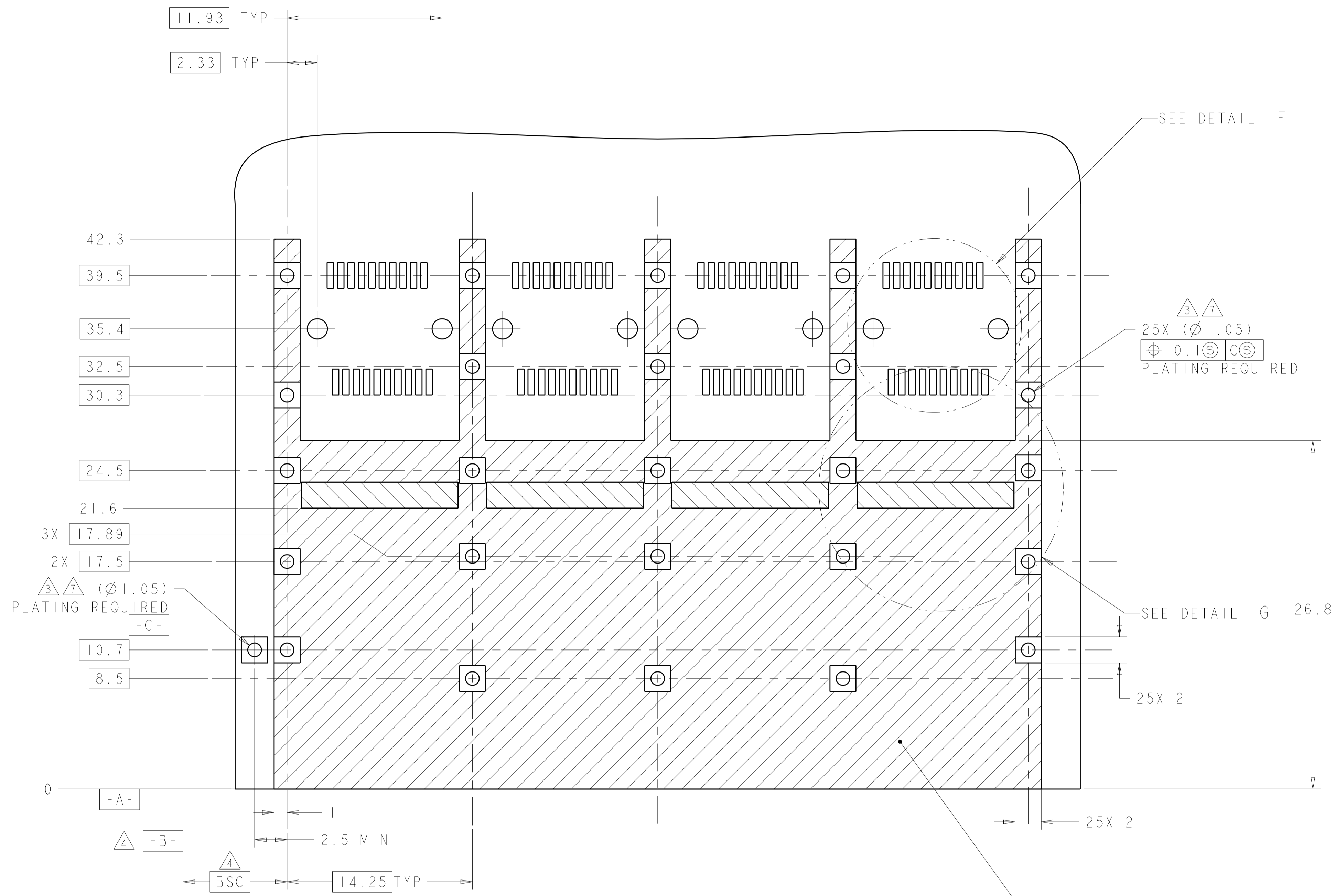
DIMENSIONS:	TOLERANCES UNLESS OTHERWISE SPECIFIED:	OWN: REVIN 02FEB2016	CHK: SEAN HAN 02FEB2016	APVD: SEAN HAN 02FEB2016
mm	0 PLC ±0.1 1 PLC ±0.1 2 PLC ±0.08 3 PLC ±0.05 4 PLC ±0.05 ANGLES ±0.05	NAME: CAGE ASSEMBLY WITH EMI SPRINGS, PRESS-FIT, 1X4, zSFP+	PRODUCT SPEC: 108-2364	APPLICATION SPEC: 114-13120
MATERIAL: SEE NOTES	FINISH: SEE NOTES	SIZE: A1	CAGE CODE: 00779	DRAWING NO: 2300275
CUSTOMER DRAWING		SCALE: 5:1	SHEET: 2	OF: 4

STC TE Connectivity

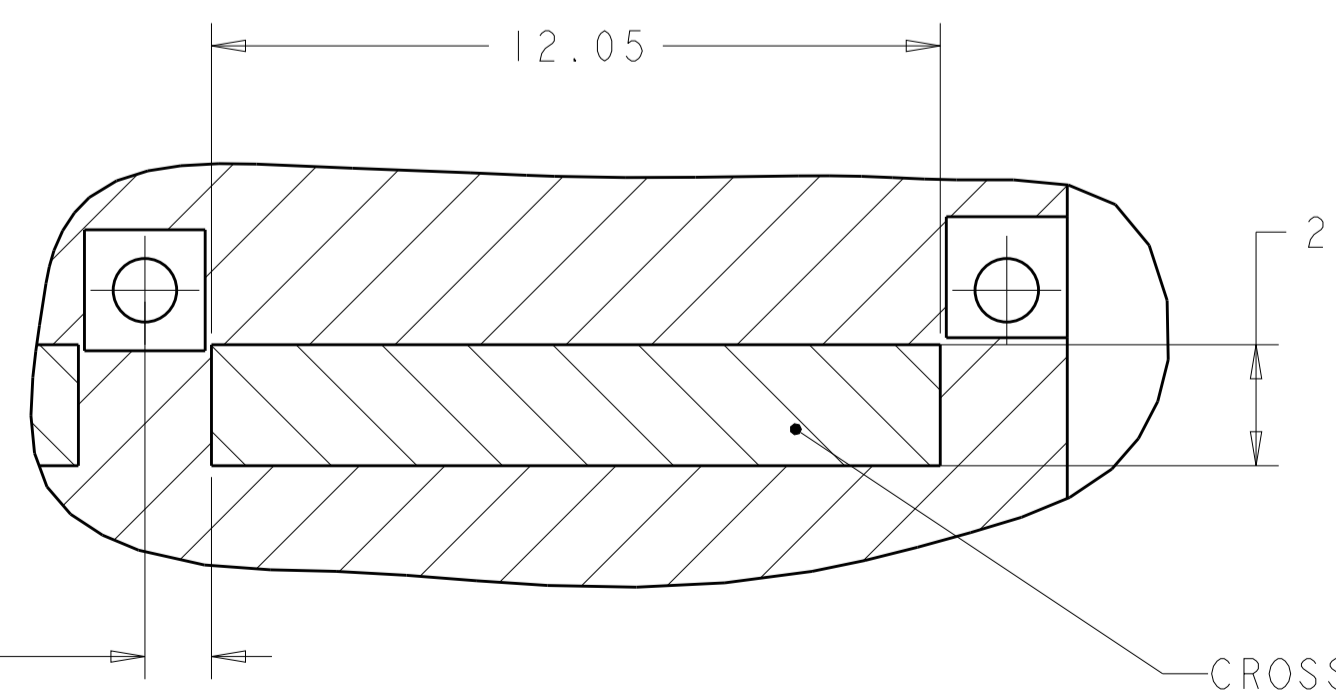
LOC	DIST	REV	DATE	BY	APPV
GP	00				

REVISIONS					
NO	DATE	DESCRIPTION	BY	APPV	DATE
-	-	SEE SHEET 1	-	-	-



RECOMMENDED PCB CONFIGURATION WITH KEEP-OUTS FOR SINGLE SIDE APPLICATIONS  
 SCALE 5:1



DETAIL G  
 4X INDIVIDUALLY  
 SCALE 8:1

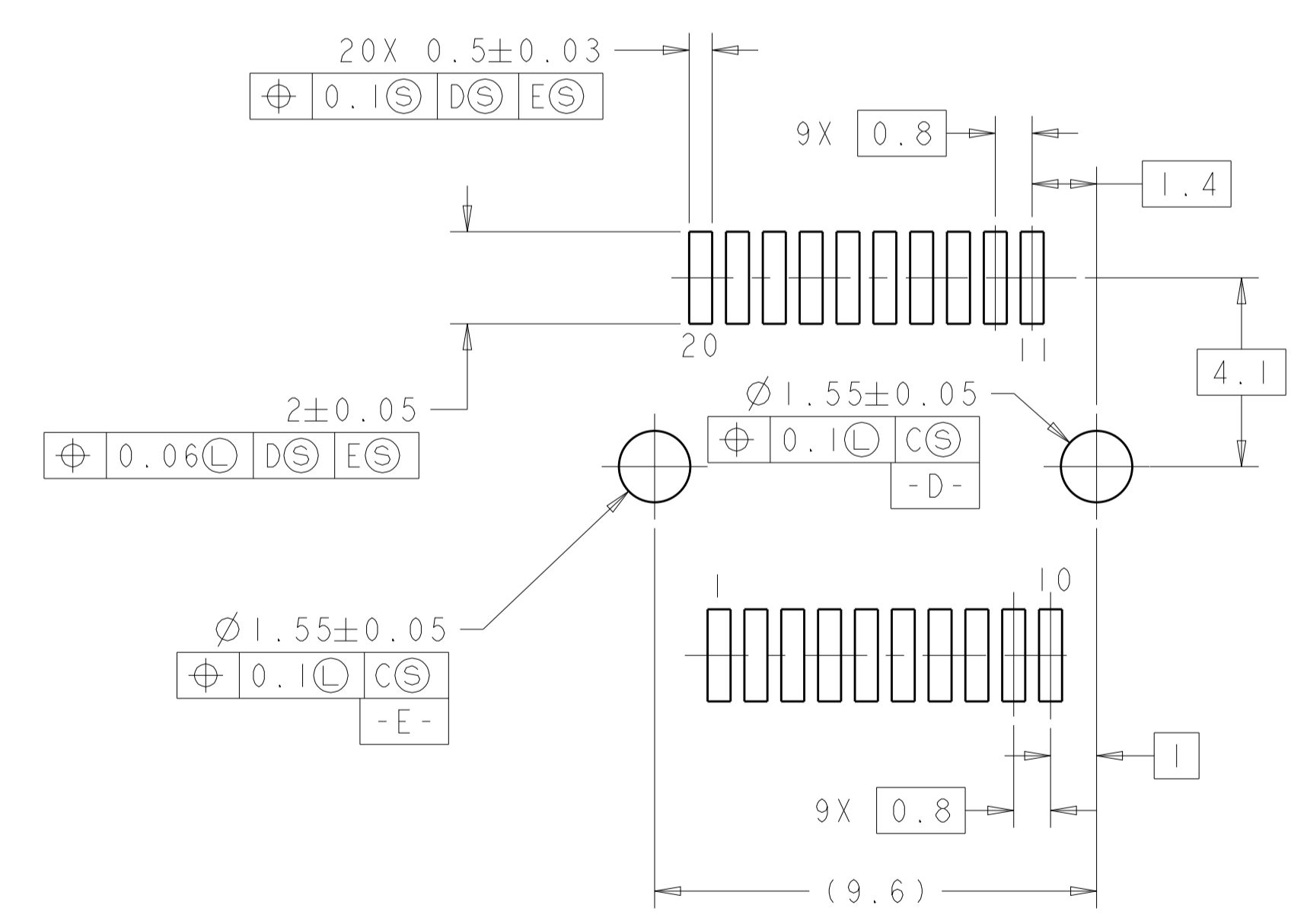
CROSS-HATCHED AREA  
 DENOTES EXPOSED  
 CHASSIS GROUND

SEE DETAIL F

25X (Ø1.05)  
 PLATING REQUIRED

SEE DETAIL G

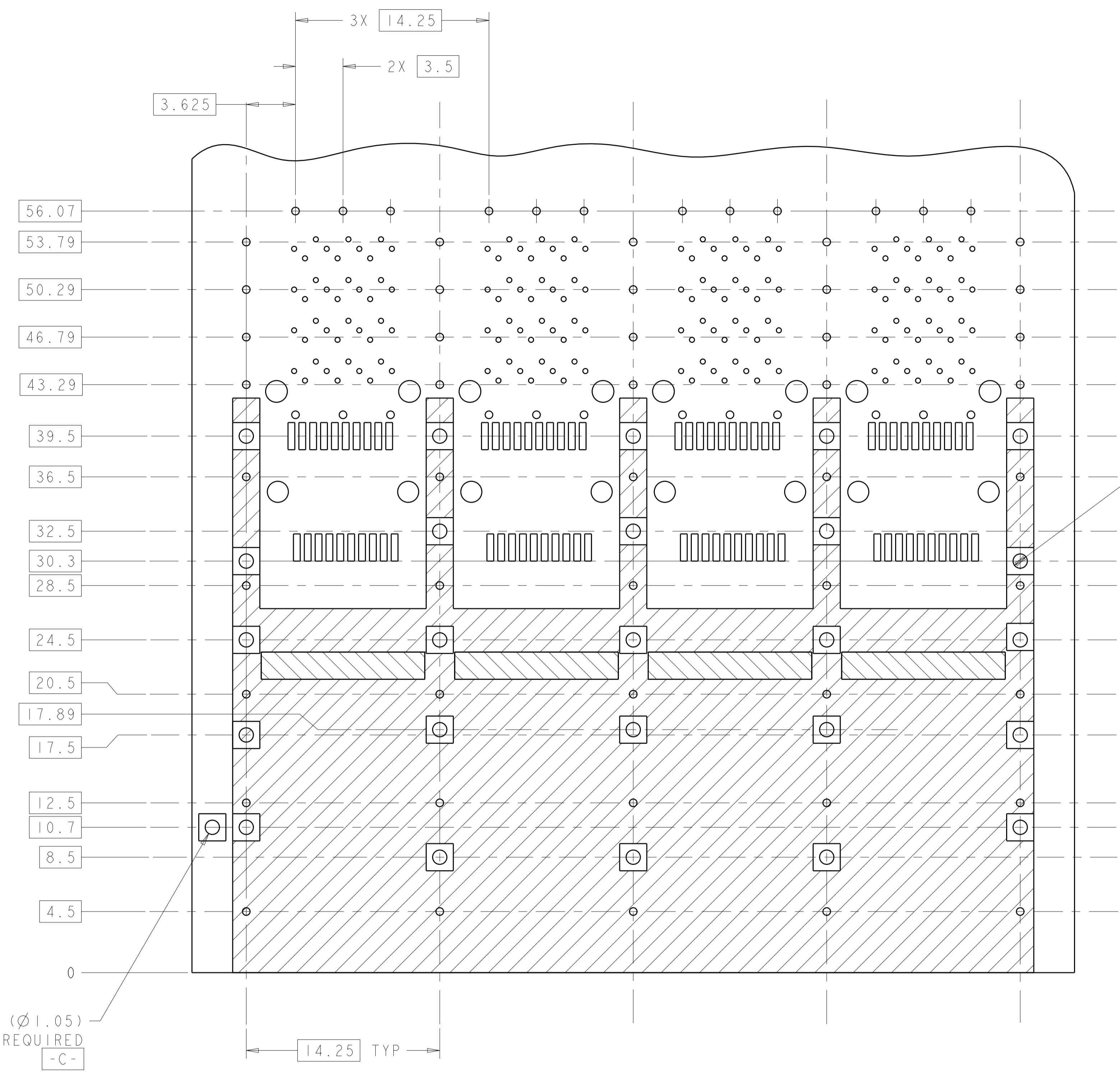
CROSS-HATCHED AREA  
 DENOTES COMPONENT  
 AND TRACE KEEP-OUT  
 (EXCEPT CHASSIS GROUND)



DETAIL F  
 4X INDIVIDUALLY  
 SCALE 8:1

THIS DRAWING IS A CONTROLLED DOCUMENT.		OWN: REVIN 02FEB2016	TE Connectivity
DIMENSIONS: mm		CHK: SEAN HAN 02FEB2016	
TOLERANCES UNLESS OTHERWISE SPECIFIED:		APVD: SEAN HAN 02FEB2016	NAME: CAGE ASSEMBLY WITH EMI SPRINGS, PRESS-FIT, 1X4, zSFP+
0 PLC ±0.1	1 PLC ±0.1	PRODUCT SPEC: 108-2364	SIZE: 114-13120
2 PLC ±0.08	3 PLC ±0.05	APPLICATION SPEC: 114-13120	RESTRICTED TO: -
4 PLC ±0.05	ANGLES ±1°	WEIGHT: -	SCALE: 6:1
MATERIAL: SEE NOTES	FINISH: SEE NOTES	CUSTOMER DRAWING	SHEET 3 OF 4

LOC	DIST	REVISIONS			
P	LTN	DESCRIPTION	DATE	DWN	APVD
GP	00	SEE SHEET 1	-	-	-



RECOMMENDED PCB CONFIGURATION WITH KEEP-OUTS FOR BELLY TO BELLY APPLICATIONS  
 SAME AS SINGLE SIDE APPLICATION, EXCEPT AS SHOWN  
 SCALE 5:1

THIS DRAWING IS A CONTROLLED DOCUMENT.		OWN: REV IN 02FEB2016	TE Connectivity
DIMENSIONS: mm		CHK: SEAN HAN 02FEB2016	
TOLERANCES UNLESS OTHERWISE SPECIFIED: 0 PLC ±0.1 1 PLC ±0.1 2 PLC ±0.08 3 PLC ±0.05 4 PLC ±0.05 ANGLES ±1°		APVD: SEAN HAN 02FEB2016	NAME: CAGE ASSEMBLY WITH EMI SPRINGS, PRESS-FIT, 1X4, zSFP+
MATERIAL: SEE NOTES		PRODUCT SPEC: 108-2364	SIZE: A1
FINISH: SEE NOTES		APPLICATION SPEC: 114-13120	CAGE CODE: 2300275
CUSTOMER DRAWING		WEIGHT: -	RESTRICTED TO: -
SCALE: 6:1		SHEET: 4 OF 4	REV: B