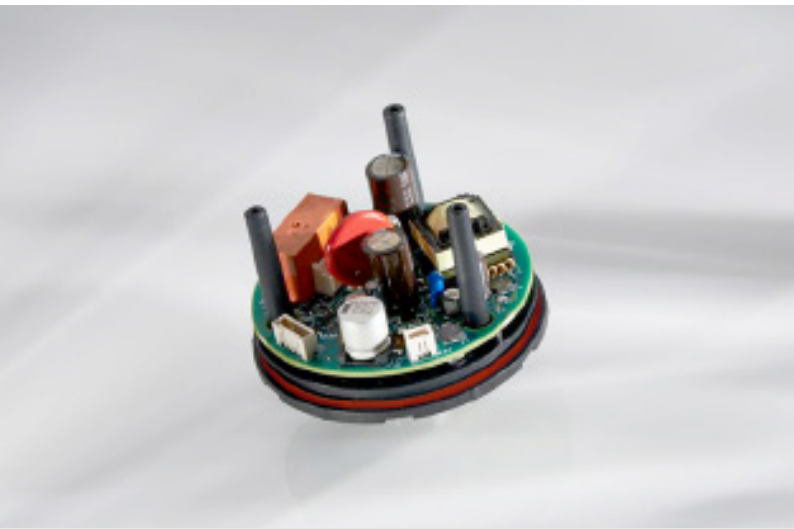


## NEMA BASE AC/DC POWER MANAGEMENT:

### Jump start street lighting control projects

LUMAWISE Endurance N enhanced base is a lighting control base assembly which provides AC power switching and DC power supplies necessary for complex control node solutions, creating a platform for rapid development and manufacture of NEMA/ANSI street and outdoor lighting control solutions.



LUMAWISE ENDURANCE N ENHANCED BASE CREATES A PLATFORM FOR RAPID DEVELOPMENT AND MANUFACTURE OF NEMA/ANSI STREET AND OUTDOOR LIGHTING CONTROL SOLUTIONS. THE ENHANCED BASE TAKES OUR LIGHTING CONTROL BASE ASSEMBLY TO THE NEXT LEVEL OF PERFORMANCE BY PROVIDING AC POWER SWITCHING AND DC POWER SUPPLIES NECESSARY FOR COMPLEX CONTROL NODE SOLUTIONS, ALLOWING DESIGNERS MORE TIME TO FOCUS ON VALUE-ADDING FEATURES.

#### FEATURES:

- Street lighting enhanced base
- Enable cost-effective design re-use through organized DC power and signalling interfaces
- De-risk project schedules and cost of design changes
- Reduce supply chain expenses with new project opportunities, lower certification and engineering
- Improve manufacturability and further innovation focus

#### APPLICATIONS:

- Street and roadway lighting control
- Commercial & campus outdoor lighting management
- Smart Cities control networks
- Smart Grid to Smart Cities bridging

# 3

DC output voltages

# ANSI

ANSI C136.41 compliance

# UL

UL773 compliant

## ENHANCED BASE

The enhanced base presents organized DC power and signaling interfaces to the designer and incorporates a mechanical architecture which supports design reuse and modularity across lighting control products. Using the enhanced base as a product platform de-risks project schedules and cost of design changes, reduces opportunity cost by enabling more value-adding innovation using the same time & designers, and streamlines supply chains, all to drive benefit of the bottom line.

### SPECIFICATIONS

- Application: **114-133085**
- Product: **108-133085**

### MATERIALS:

- Housing: PBT
- Dimming Contacts: Copper alloy gold plated
- Power Contacts: Copper alloy tin plated
- Gasket: Vinyl-nitrile foam
- O-Ring: Silicone rubber
- RoHS compliant

### ENVIRONMENTAL:

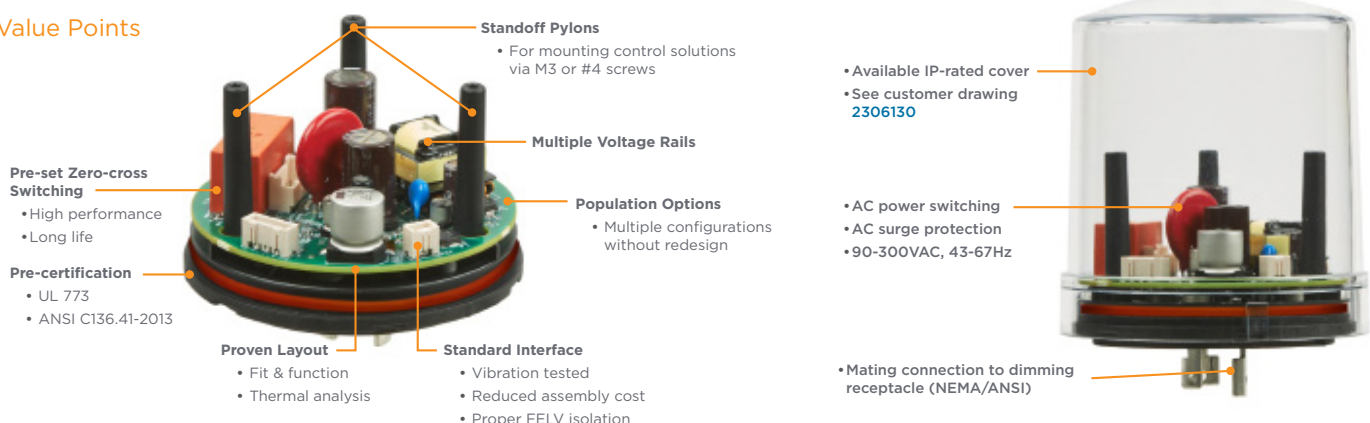
- Operating temperature: -40°C to +85°C
- Relative humidity:
  - Operating: 15% to 96%
  - Non-condensing environment
- Altitude
  - Operating: -15M to + 2,000M
  - Non-Operating: -15M to + 14,000M

### Electrical

Parameter	Value/Note
Input Voltage Range	90-300 VAC for 110/120, 230/240 and 277 VAC nominal sources
Input Frequency	47-63 Hz for 50/60 Hz nominal sources
Maximum AC current	5A based upon the relay ratings
DC Power Supplies	
Dimming	24 VDC at 50 mA maximum
Communications	5 VDC at 1000 mA maximum
Auxiliary	3.3 VDC at 500 mA maximum
Surge Protection	ANSI C62.41 6 kV, 3 kA combination wave surge protection
Power Consumption	<1W @ 120VAC, < 2W @ 277 VAC
Fail Mode*	On or Off

\*value depends on part number

### Value Points

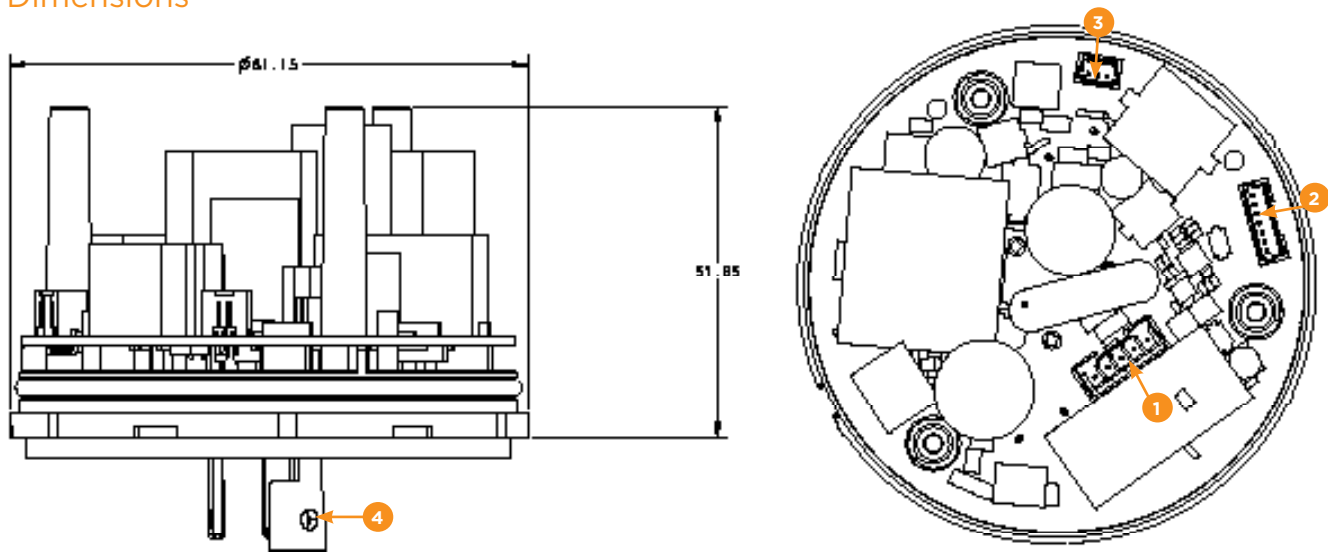


## ENHANCED BASE

### Product Selection Information

Part Number	Description	Frequency (Hz)	Fail Mode
<a href="#">2314786-1</a>	LUMAWISE Endurance N Enhanced Base	60	ON
<a href="#">2314786-2</a>	LUMAWISE Endurance N Enhanced Base	60	OFF
<a href="#">1-2314786-1</a>	LUMAWISE Endurance N Enhanced Base	50	ON
<a href="#">1-2314786-2</a>	LUMAWISE Endurance N Enhanced Base	50	OFF

### Dimensions



### Compatible Products

Item	Enhanced Base Interface	Description	Part Number
<a href="#">1</a>	Energy Metering Connection	EMC Cable Assembly	<a href="#">2318044-1</a>
<a href="#">2</a>	Luminaire Control Connection	LCC Cable Assembly, 7 position	<a href="#">2318043-1</a>
<a href="#">3</a>	Management Power Connection	MPC Cable Assembly, 3 position	<a href="#">2318043-2</a>
<a href="#">4</a>	ANSI C136.41-2013 Interface	LUMAWISE Dimming Receptacle	<a href="#">2213362</a>
			<a href="#">2213627</a>

te.com

© 2020 TE Connectivity. All Rights Reserved.

LUMAWISE, TE Connectivity, TE connectivity (logo) and Every Connection Counts are trademarks. All other logos, products and/or company names referred to herein might be trademarks of their respective owners.

While TE has made every reasonable effort to ensure the accuracy of the information in this brochure, TE does not guarantee that it is error-free, nor does TE make any other representation, warranty or guarantee that the information is accurate, correct, reliable or current. TE reserves the right to make any adjustments to the information contained herein at any time without notice. TE expressly disclaims all implied warranties regarding the information contained herein, including, but not limited to, any implied warranties of merchantability or fitness for a particular purpose. The dimensions in this catalog are for reference purposes only and are subject to change without notice. Specifications are subject to change without notice. Consult TE for the latest dimensions and design specifications.

1-1773941-4 ML 02/20 Original