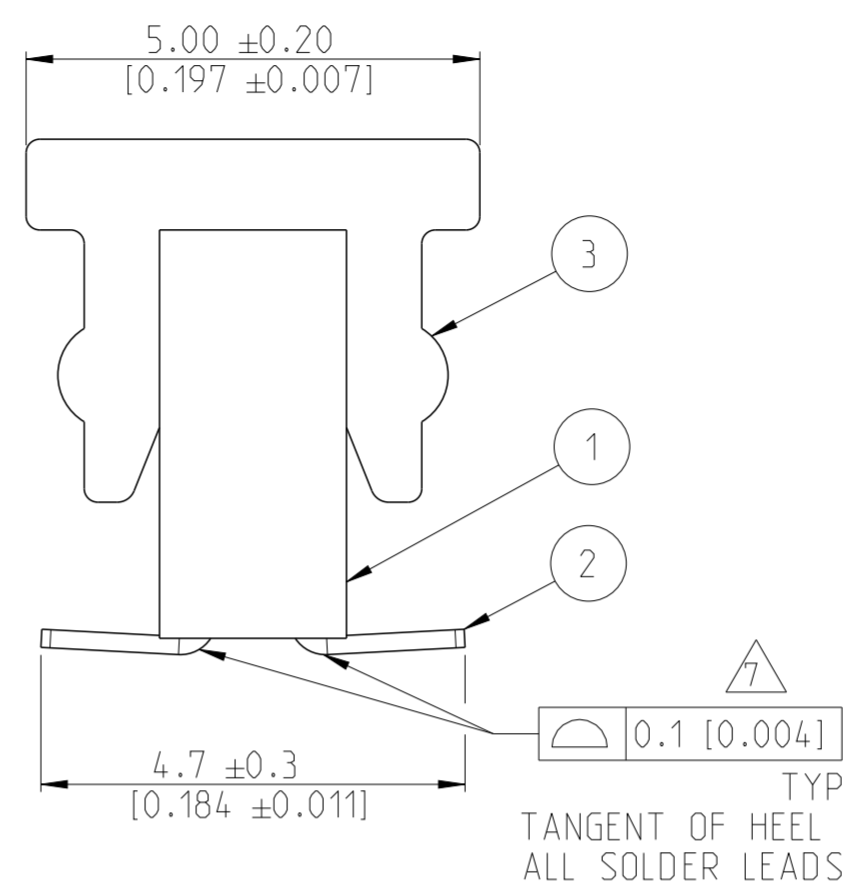
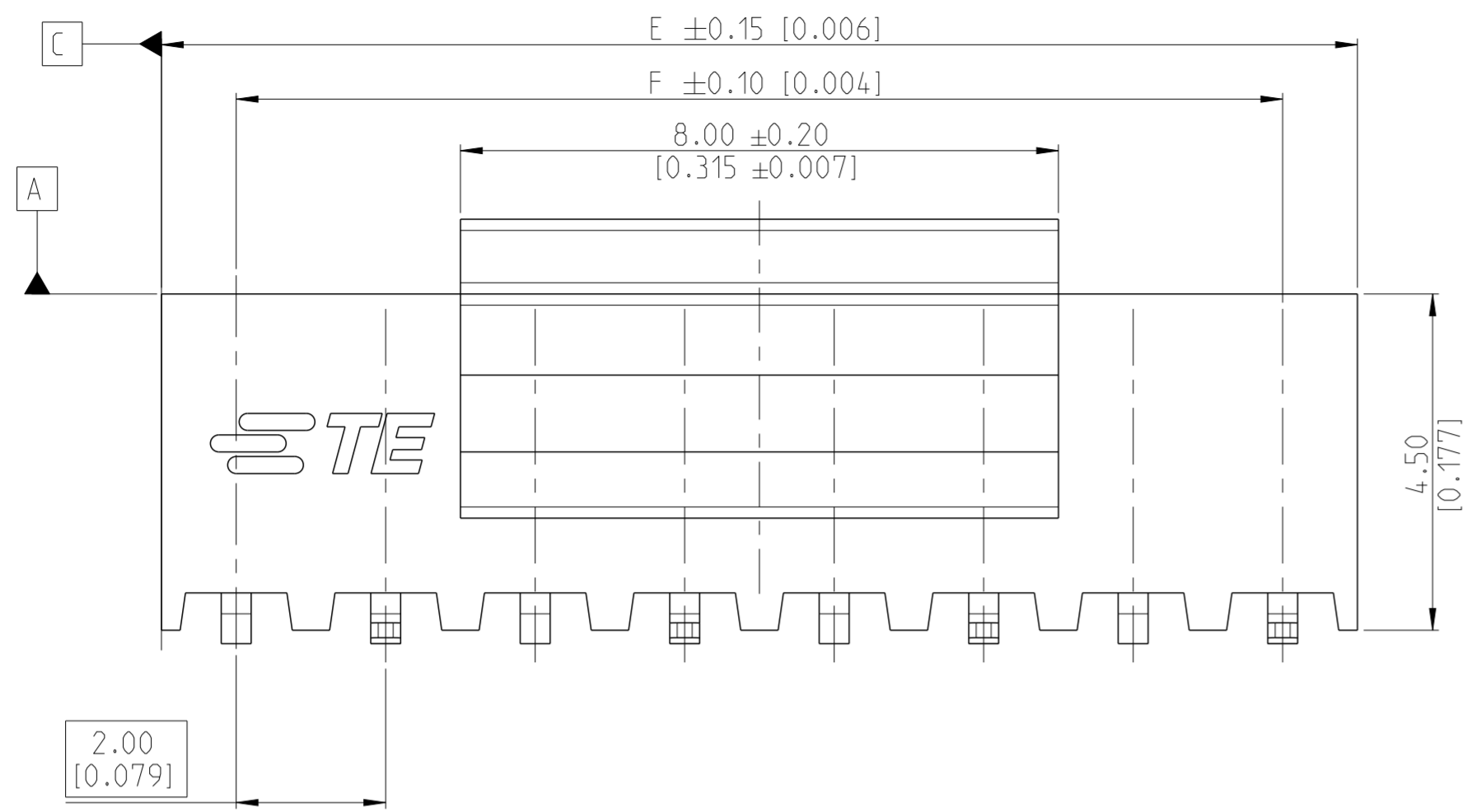


THIS DRAWING IS UNPUBLISHED. RELEASED FOR PUBLICATION 20  
COPYRIGHT 20 BY - ALL RIGHTS RESERVED.

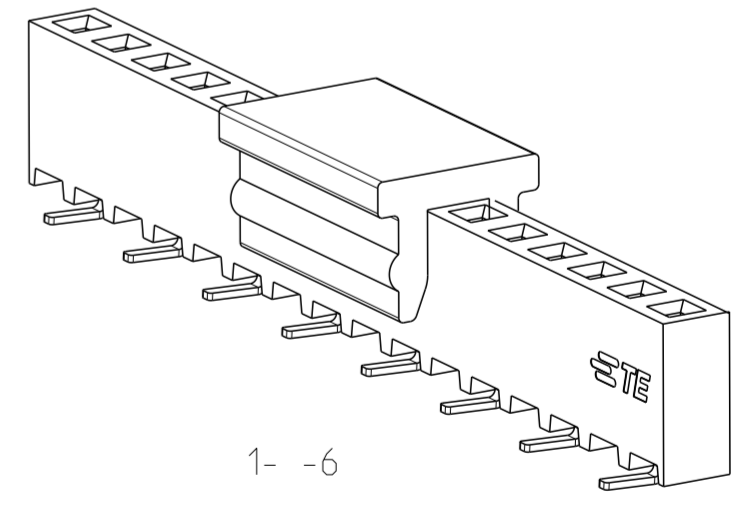
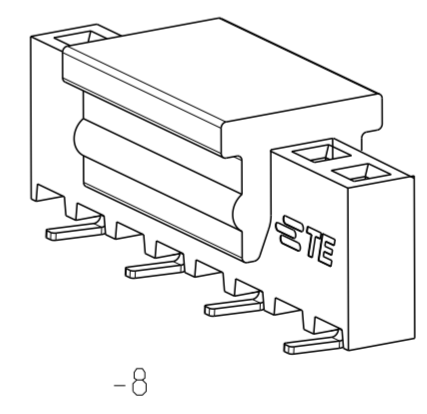
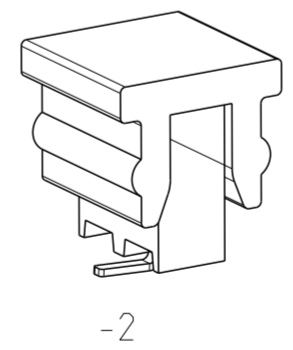
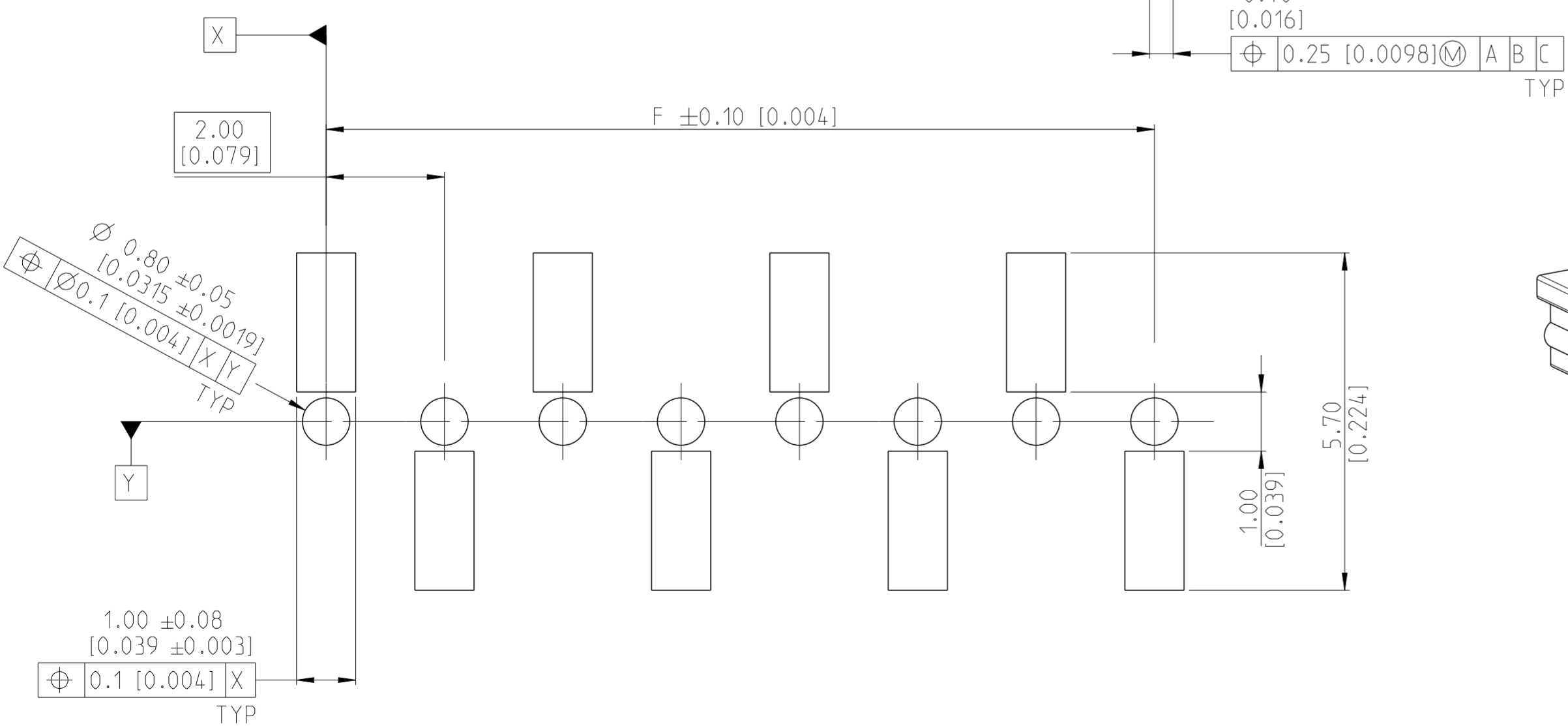
REVISIONS				
P	LTR	DESCRIPTION	DATE	APVD
A		RELEASE GOLD PLATED VERSIONS TO PRODUCTION	03SEP2019	AY PS
A1		RELEASE TIN PLATED VERSIONS TO PRODUCTION	14APR2020	AY PS



- NOTES:
- 1 MATERIAL: HOUSING & CAP: LCP, UL94 V0, BLACK CONTACT: PHOSPHOR BRONZE, 0.20mm THICK.
  - 2 ALL OVER 3-5µm TIN OVER MIN 1.27µm NICKEL UNDERPLATE
  - 3 CONTACT AREA: MIN 0.1µm GOLD SOLDER TAIL: 3-5µm TIN UNDERPLATING: MIN 1.27µm NICKEL ALL OVER
  - 4 CONTACT AREA: MIN 0.38µm GOLD SOLDER TAIL: 3-5µm TIN UNDERPLATING: MIN 1.27µm NICKEL ALL OVER
  - 5 CONTACT AREA: MIN 0.76µm GOLD SOLDER TAIL: 3-5µm TIN UNDERPLATING: MIN 1.27µm NICKEL ALL OVER
  - 6 N = NO. OF POSITIONS PER CONNECTOR.

"N"	FG P/N	CO-PLANARITY
2 TO 10	-2 TO 1- -0	0.08
11 TO 20	1 - -1 TO 2 - -0	0.10
21 TO 25	2- -1 TO 2- -5	0.15

DESCRIPTION	ITEM
CAP	3
CONTACT	2
HOUSING	1



RECOMMENDED PCB PATTERN

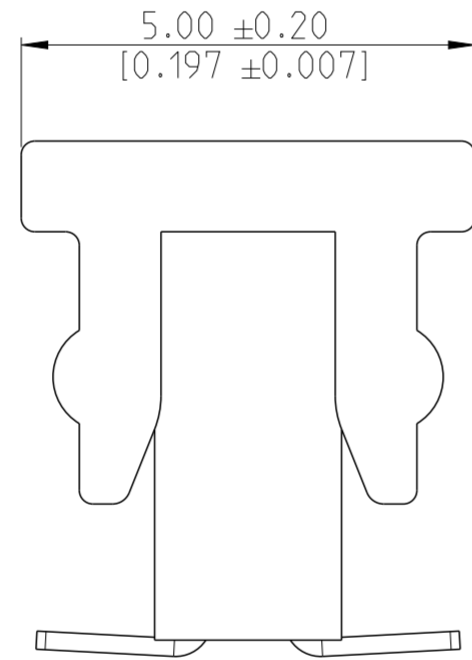
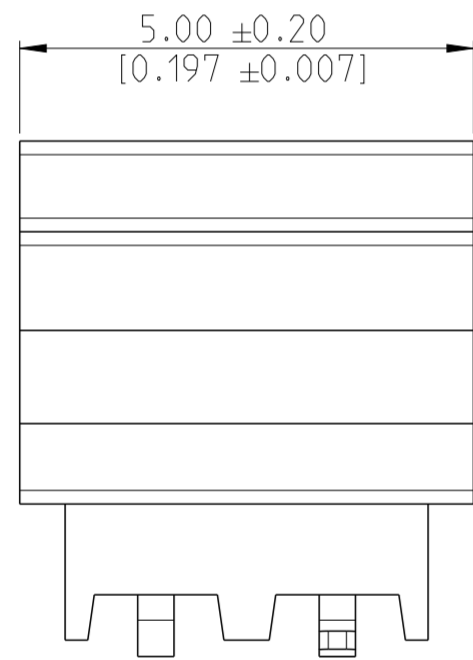
THIS DRAWING IS A CONTROLLED DOCUMENT.

DIMENSIONS: mm [inch]	TOLERANCES UNLESS OTHERWISE SPECIFIED: 0 PLC ± 1 PLC ±0.2 2 PLC ±0.1 3 PLC ± [0.004] 4 PLC ± ANGLES ±2° FINISH	DWN 22NOV2017 SOURAV DAS CHK 21NOV2018 SHARATH S APVD 21NOV2018 PRASHANTH S PRODUCT SPEC 108-64040 APPLICATION SPEC 114-32186 WEIGHT -	TE Connectivity	
MATERIAL SEE NOTES	SEE NOTES	CUSTOMER DRAWING	NAME AMPMODU 2mm BiB RECEPTACLE SINGLE ROW, VERTICAL, DUAL ENTRY SMD	RESTRICTED TO -
			SIZE A2	CAGE CODE 00779
			DRAWING NO C-2307812	SCALE 5:1
			SHEET 1 OF 2	REV A1

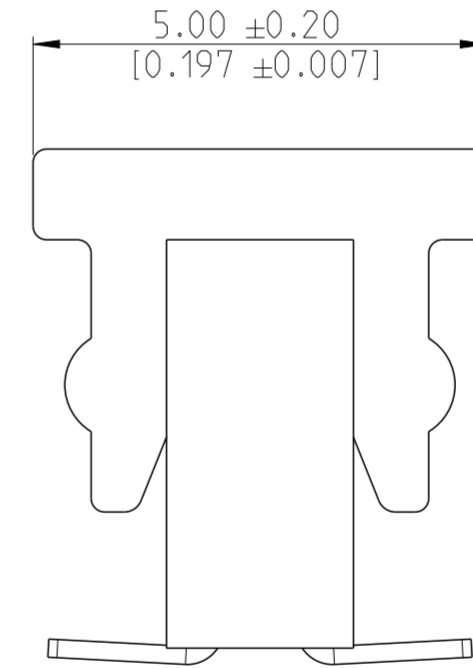
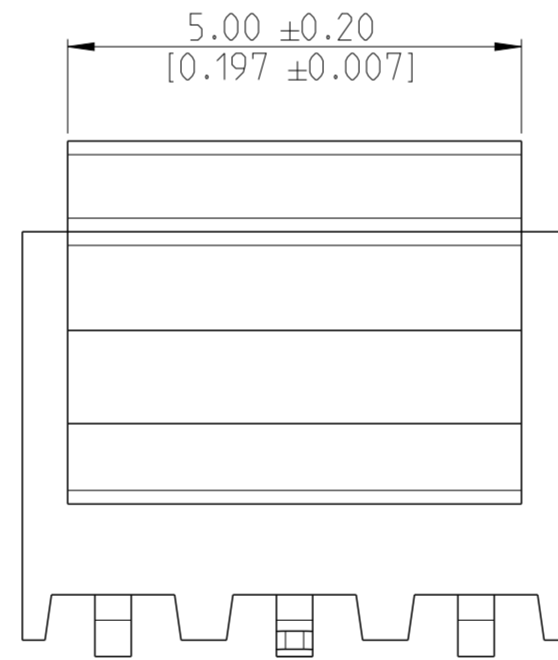
THIS DRAWING IS UNPUBLISHED. RELEASED FOR PUBLICATION 20  
 © COPYRIGHT 20 BY - ALL RIGHTS RESERVED.

REVISIONS				
P	LTR	DESCRIPTION	DATE	APVD
		SEE SHEET 1		

MATING SIDE PLATING (FINISH)	BTB RECEPTACLE BASE NUMBERS	
	TAPE & REEL PKG W/ CAP	TUBE PKG W/ CAP
TIN 2	2307812	2314847
GOLD FLASH 0.1 μm 3	2307813	2314848
GOLD 0.38 μm 4	2307814	2314849
GOLD 0.76 μm 5	2307815	2314850



-2



-3

48	50	25	2- -5
46	48	24	2- -4
44	46	23	2- -3
42	44	22	2- -2
40	42	21	2- -1
38	40	20	2- -0
36	38	19	1- -9
34	36	18	1- -8
32	34	17	1- -7
30	32	16	1- -6
28	30	15	1- -5
26	28	14	1- -4
24	26	13	1- -3
22	24	12	1- -2
20	22	11	1- -1
18	20	10	1- -0
16	18	9	-9
14	16	8	-8
12	14	7	-7
10	12	6	-6
8	10	5	-5
6	8	4	-4
4	6	3	-3
2	4	2	-2
DIM "F"	DIM "E"	N	FG PN

THIS DRAWING IS A CONTROLLED DOCUMENT.		DWN SOURAV DAS 22NOV2017	TE Connectivity	
DIMENSIONS: mm [inch]		CHK SHARATH S 21NOV2018		
TOLERANCES UNLESS OTHERWISE SPECIFIED:		APVD PRASHANTH S 21NOV2018	NAME AMPMODU 2mm BTB RECEPTACLE SINGLE ROW, VERTICAL, DUAL ENTRY SMD	
0 PLC ±		PRODUCT SPEC	SIZE	
1 PLC ±0.2		108-64040	CAGE CODE	
2 PLC ±0.1		APPLICATION SPEC	DRAWING NO	
3 PLC ± (0.004)		114-32186	RESTRICTED TO	
4 PLC ±		WEIGHT	A2100779 ©-2307812	
ANGLES ±2°		CUSTOMER DRAWING	SCALE	SHEET
FINISH			5:1	2 OF 2
MATERIAL SEE NOTES				REV A1