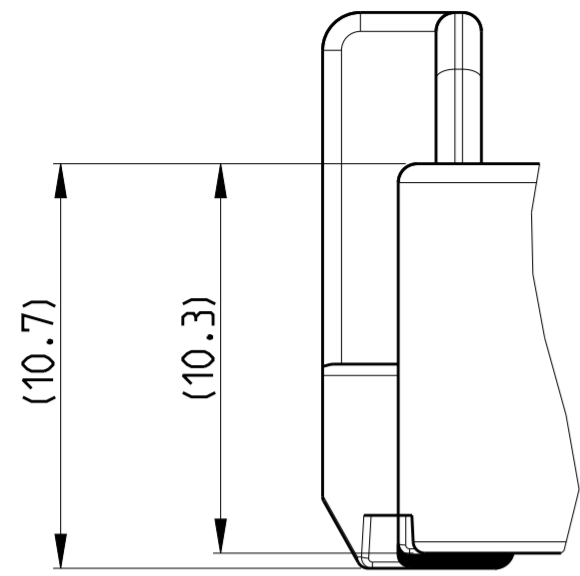
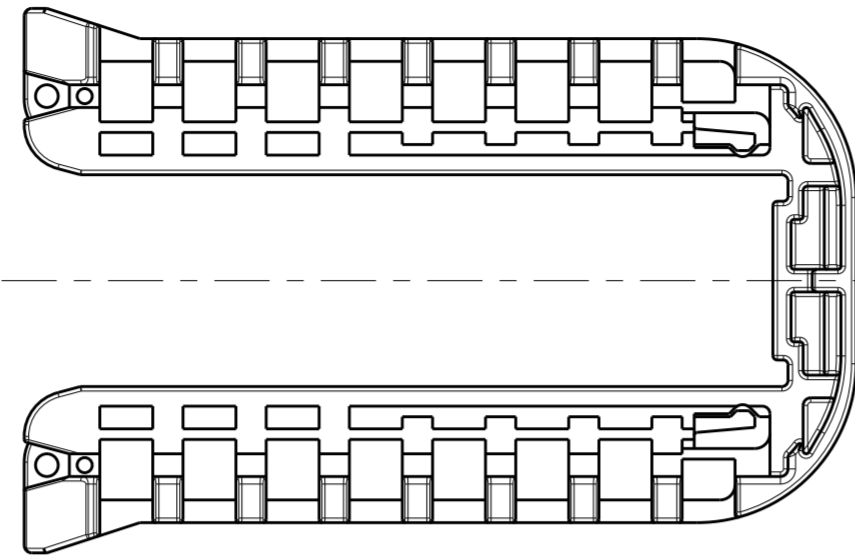


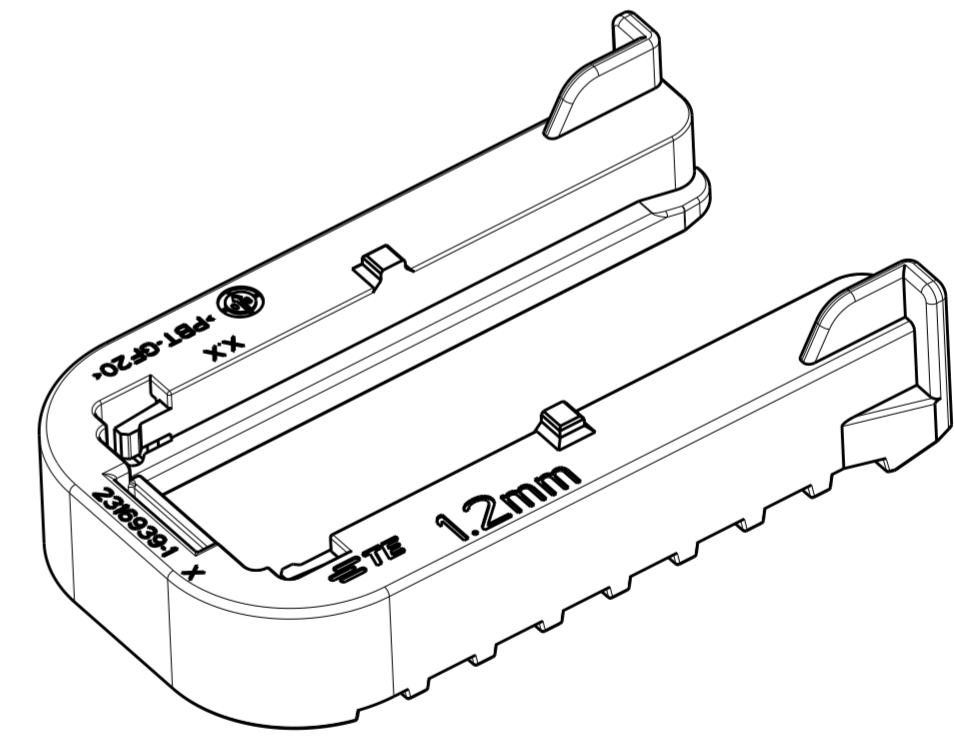
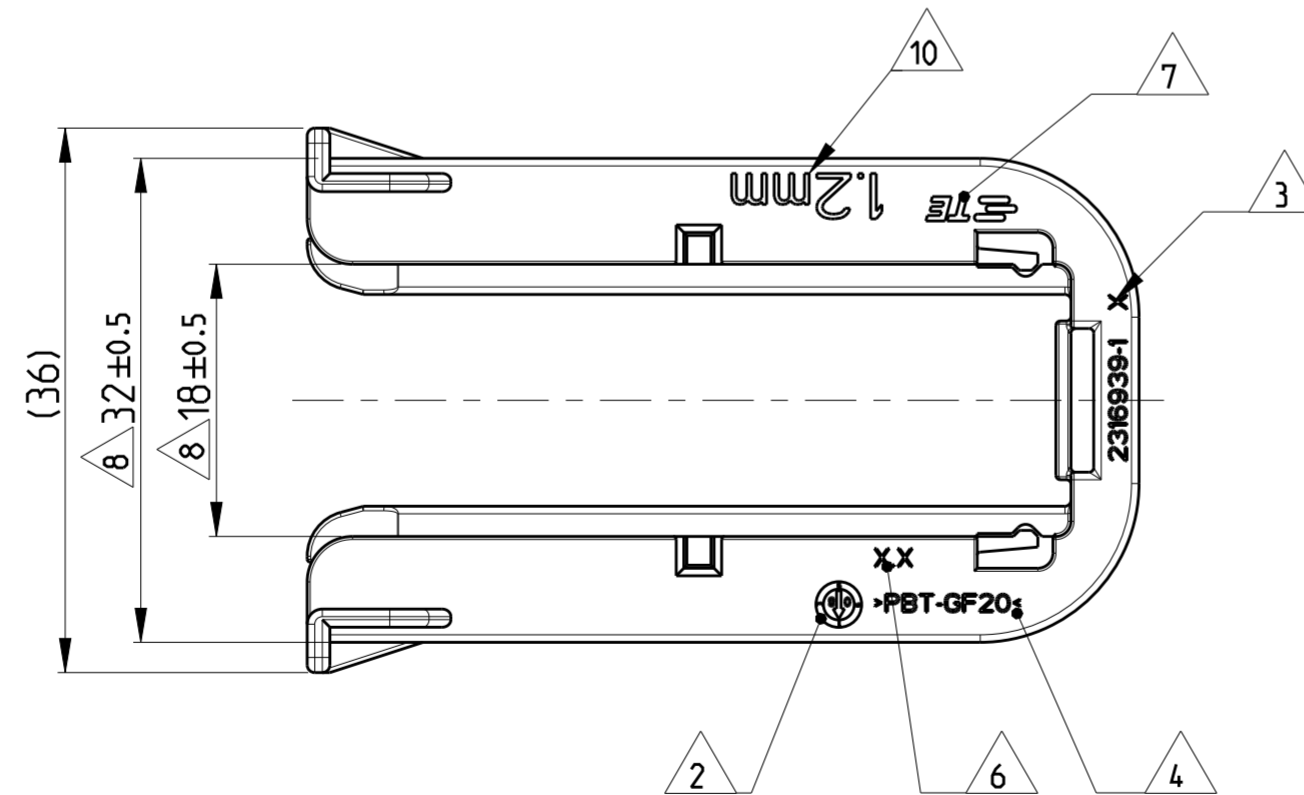
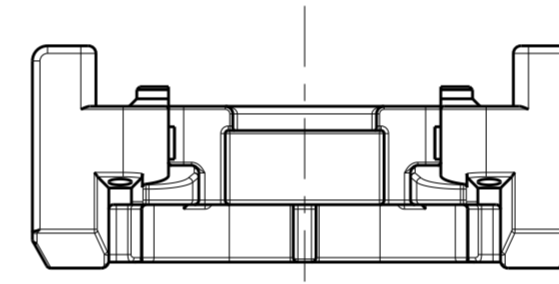
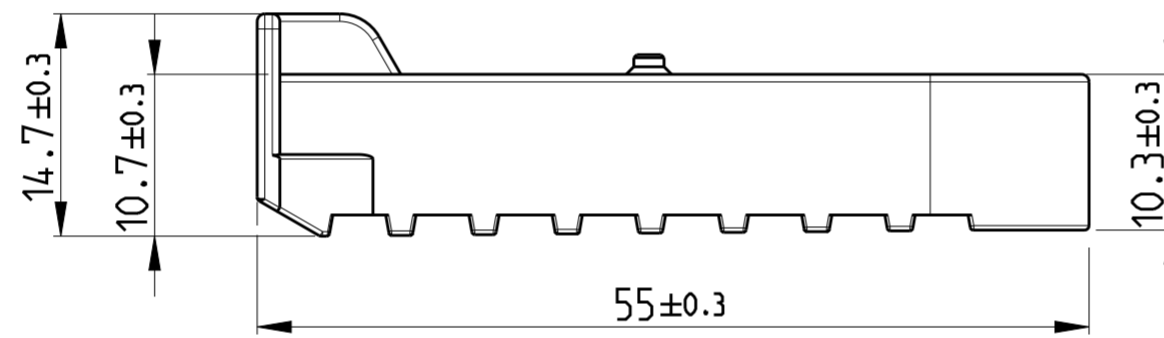
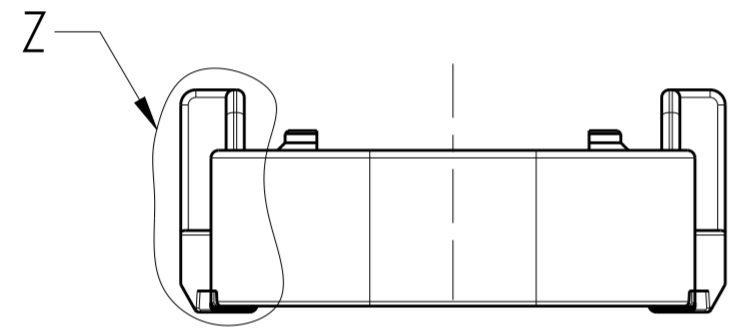
REVISIONS					
P	LTR	DESCRIPTION	DATE	DWN	APVD
	A	INITIAL RELEASE	27FEB2017	C.W	I.Y



Z  
5:1



1. MATERIAL : PBT-GF20 OR EQUIVALENC RESIN.
- 2 PRODUCT DATE
- 3 LETTER-INSERTFOR THE REVISION STATUS OF THE MOULD
4. MATERIAL MARKING ACCORDING TO VDA260
5. BULK PACKAGING IN CORRUGATED BOX
- 6 MOULD CAVITY MARKING
- 7 TE LOGO
- 8 WARGAGE PERMITTED UP TO -1.5MM FROM NOMINAL SIZE
9. SUITALBE FOR TAB HOUSNG WITH FLANGE GROUP E, SEE PRODUCT GROUP DRAWING 1563709.
- 10 MARKING FOR SUITABLE SHEET METEAL THICKNESS(NOMINAL SIZE)



2316939-1	A	PBT-GF20/V-0	Orange	8.0	1
TE ORDER-NO.	REV.	MATERIAL	COLOUR	WEIGHT (g)	ITEM

THIS DRAWING IS A CONTROLLED DOCUMENT.		DWN C.WAN 27FEB2017	TE Connectivity		
DIMENSIONS: mm		CHK S.WANG 27FEB2017			
TOLERANCES UNLESS OTHERWISE SPECIFIED: ACC. TO DIN 9130-1-10		APVD I.YIN 27FEB2017	NAME SLIDE, TAB HOUSING FOR 1.2MM SHEETMETAL HDSCS - GROUP E		
		PRODUCT SPEC 108-94020	SIZE A2	CAGE CODE -	DRAWING NO. C-2316939
MATERIAL SEE TABLE		APPLICATION SPEC 114-18756	RESTRICTED TO -	SCALE 2:1	
-		WEIGHT -	SHEET 1 OF 1		
-		CUSTOMER DRAWING	REV A		